

Zero Voltage Switch with Adjustable Ramp

Description

The integrated circuit, U217B, is designed as a zero-voltage switch in bipolar technology. It is used to control resistive loads at mains by a triac in zero-crossing mode. A ramp generator allows to realize power control function

by period group control, whereas full wave logic guarantees that full mains cycles are used for load switching.

Features

- Direct supply from the mains
- Current consumption ≤ 0.5 mA
- Very few external components
- Full wave drive – no dc current component in the load circuit
- Negative output current pulse typ. 100 mA – short circuit protected
- Simple power control
- Ramp generator
- Reference voltage

Applications

- Full wave power control
- Temperature regulation
- Power blinking switch

Package: DIP8, SO8

Block Diagram

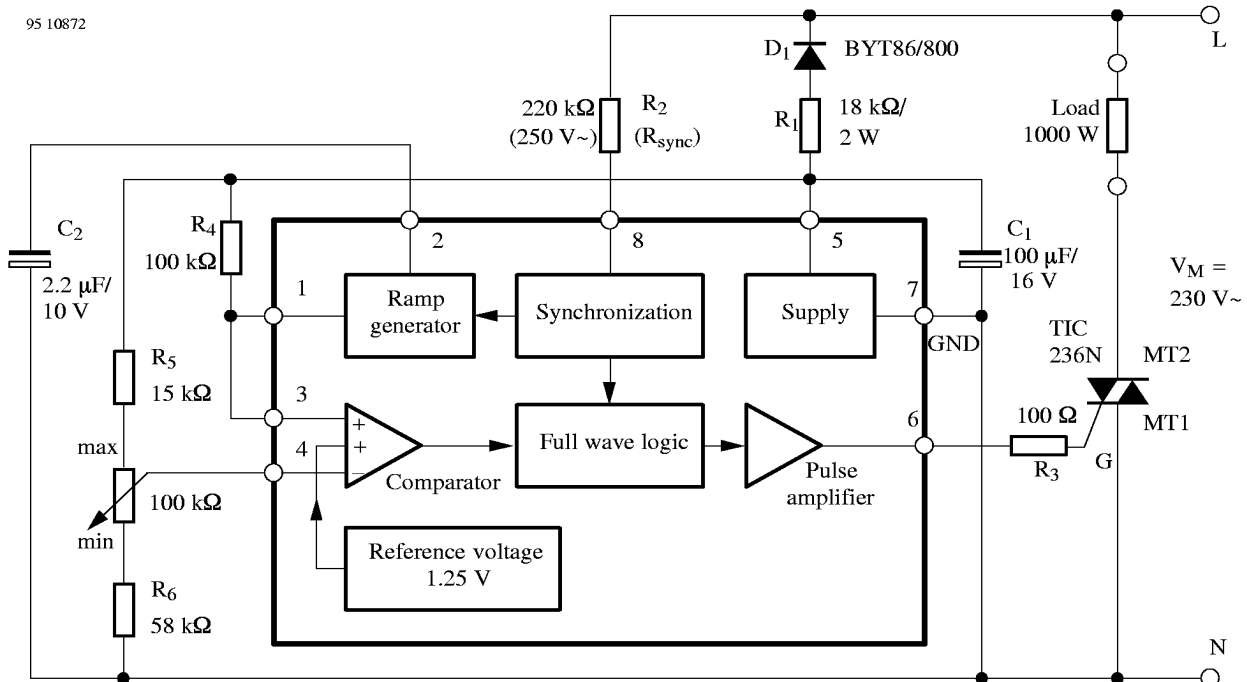


Figure 1. Block diagram with typical circuit, period group control 0 to 100%

General Description

The integrated circuit, U217B, is a triac controller for the zero crossing mode. It is meant to control power in switching resistive loads of mains supply.

Information regarding supply sync. is provided at Pin 8 via resistor R_{Sync} .

To avoid dc load on the mains, full wave logic guarantees that complete mains cycles are used for load switching.

A fire pulse is released when the inverted input of the comparator is negative (Pin 4) with respect to the non-inverted input (Pin 3) and internal reference voltage.

A ramp generator with free selectable duration is possible with capacitor C_2 at Pin 2 which provides not only symmetrical pulse burst control (figure 3), but also control with superimposed proportional band (figure 10). Ramp voltage available at capacitor C_2 is decoupled across emitter follower at Pin 1. To maintain the lamp flicker specification, ramp duration is adjusted according to the controlling load. In practice, interference should be avoided (temperature control). Therefore in such cases a two point control is preferred to proportional control. One can use internal reference voltage for simple applications. In that case Pin 3 is inactive and connected to Pin 7 (GND), figure 9.

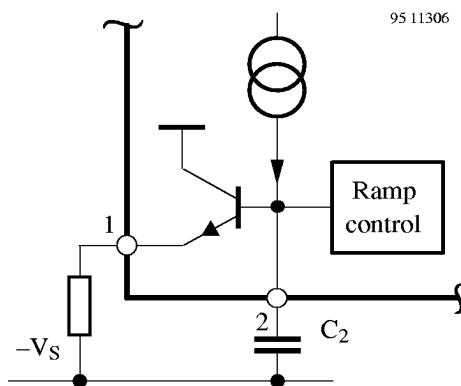


Figure 2. Pin 1 internal network

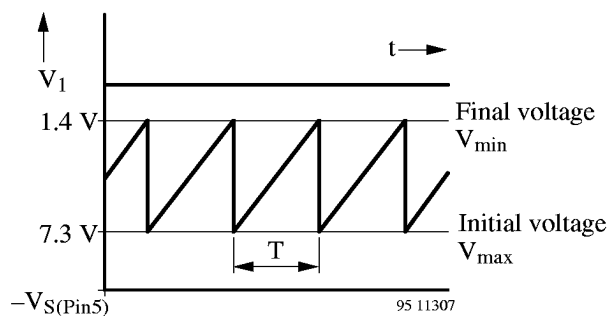


Figure 3.

Firing Pulse Width t_p , (Figure 4)

This depends on the latching current of the triac and its load current. The firing pulse width is determined by the zero crossing identification which can be influenced with the help of sync. resistance, R_{sync} , (figure 6).

$$t_p = \frac{2}{\omega} \arcsin\left(\frac{I_L \times V_M}{P \sqrt{2}}\right)$$

whereas

- I_L = Latching current of the triac
- V_M = Mains supply, effective
- P = Power load (user's power)

Total current consumption is influenced by the firing pulse width, which can be calculated as follows:

$$R_{sync} = \frac{V_M \sqrt{2} \sin\left(\omega \times \frac{t_p}{2}\right) - 0.6 \text{ V}}{3.5 \times 10^{-5} \text{ A}} - 49 \text{ k}\Omega$$

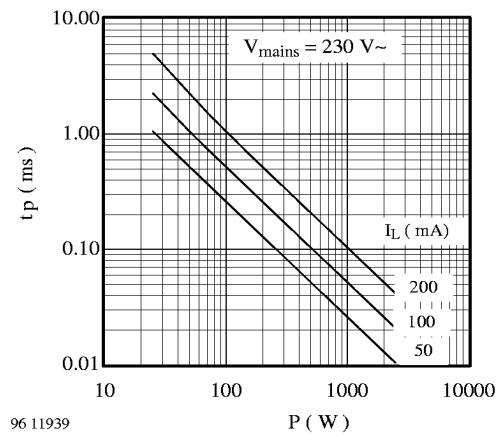


Figure 4.

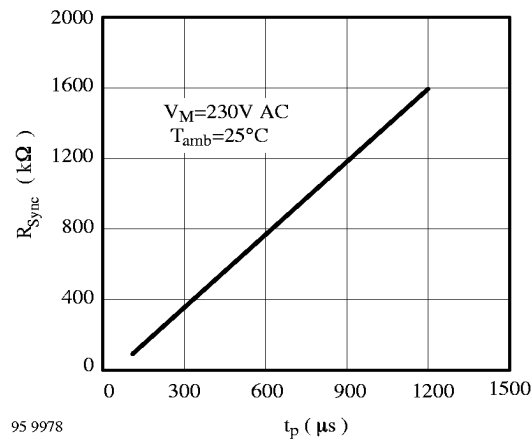


Figure 5.

Triac Firing Current (Pulse)

This depends on the triac requirement. It can be limited with gate series resistance which is calculated as follows:

$$R_{Gmax} \approx \frac{7.5 \text{ V} - V_{Gmax}}{I_{Gmax}} - 36 \Omega$$

$$I_p = \frac{I_{Gmax}}{T} \times t_p$$

whereas:

- V_G = Gate voltage
- I_{Gmax} = Max. gate current
- I_p = Average gate current
- t_p = Firing pulse width
- T = Mains period duration

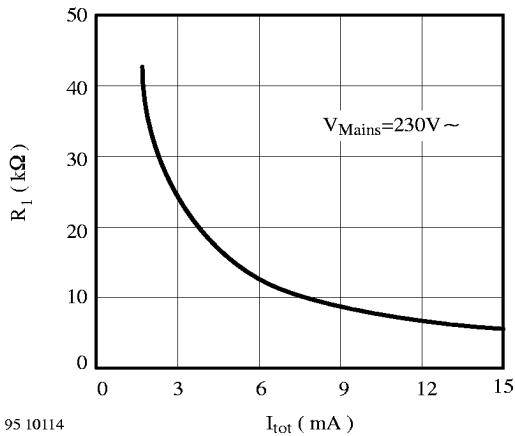


Figure 6.

Supply Voltage

The integrated circuit U217B (which also contains internal voltage limiting) can be connected via the diode (D_1) and the resistor (R_1) with the mains supply. An internal clamp circuit limits the voltage between Pin 5 and 7 to a typical value of 9.25 V.

Series resistance R_1 can be calculated (figures 7 and 8) as follows:

$$R_{1max} = 0.85 \frac{V_{min} - V_{Smax}}{2 I_{tot}} ; P_{(R1)} = \frac{(V_M - V_S)^2}{2 R_1}$$

$$I_{tot} = I_S + I_p + I_x$$

whereas

- V_M = Mains voltage
- V_S = Limiting voltage of the IC
- I_{tot} = Total current consumption
- I_S = Current requirement of the IC (without load)
- I_x = Current requirement of other peripheral components

$$P_{(R1)} = \text{Power dissipation at } R_1$$

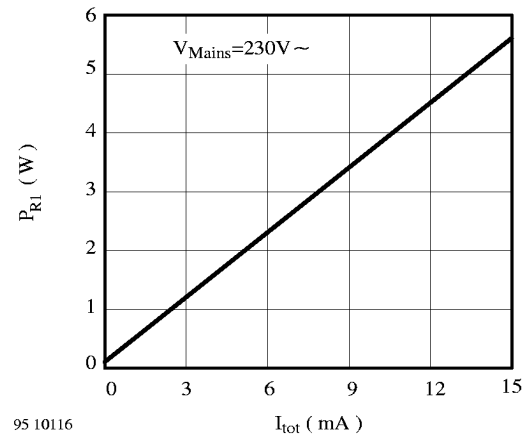


Figure 7.

Absolute Maximum Ratings

Reference point Pin 7

Parameters	Symbol	Value	Unit
Supply current Pin 5	$-I_S$	30	mA
Sync. current Pin 8	$I_{sync.}$	5	mA
Output current ramp generator Pin 1	I_O	3	mA
Input voltages Pin 1, 3, 4, 6 Pin 2 Pin 8	$-V_I$ $-V_I$ $\pm V_I$	$\leq V_S$ 2 to V_S ≤ 7.3	V
Power dissipation $T_{amb} = 45^\circ\text{C}$ $T_{amb} = 100^\circ\text{C}$	P_{tot}	400 125	mW
Junction temperature	T_j	125	$^\circ\text{C}$
Operating-ambient temperature range	T_{amb}	0 to 100	$^\circ\text{C}$
Storage temperature range	T_{stg}	-40 to + 125	$^\circ\text{C}$

Thermal Resistance

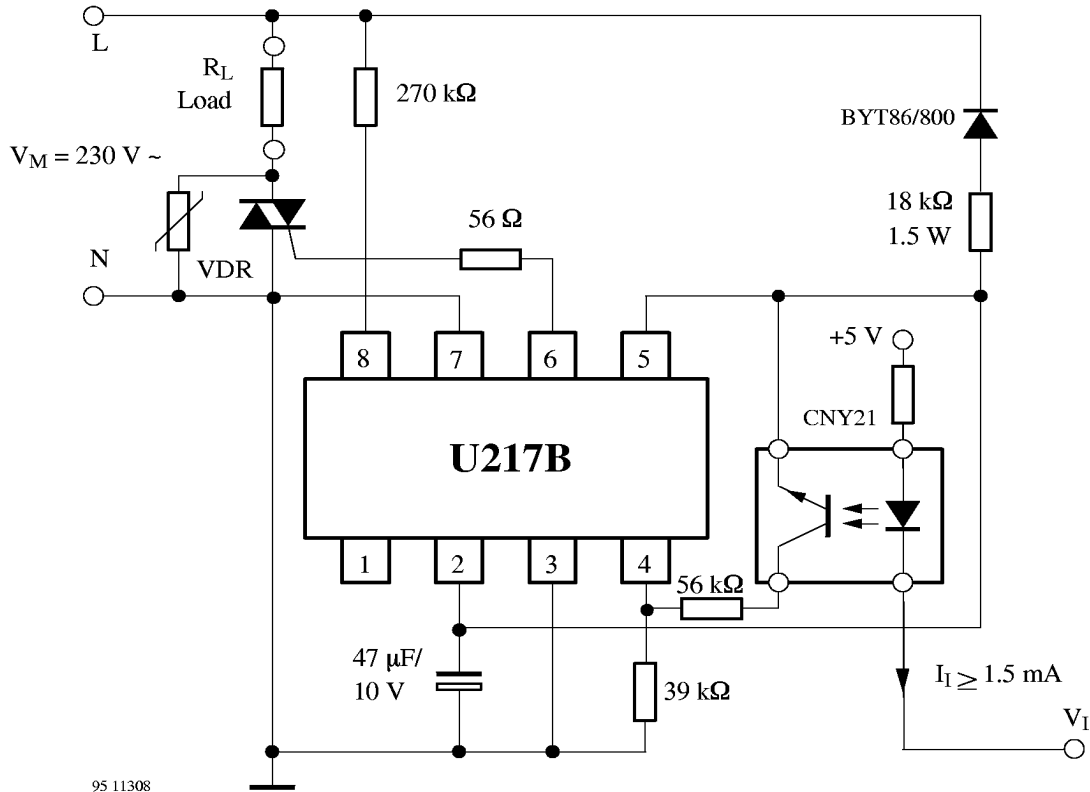
Parameters	Symbol	Maximum	Unit
Junction ambient	R_{thJA}	200	K/W

Electrical Characteristics

$-V_S = 8.5\text{ V}$, $T_{amb} = 25^\circ\text{C}$, reference point Pin 7, unless otherwise specified

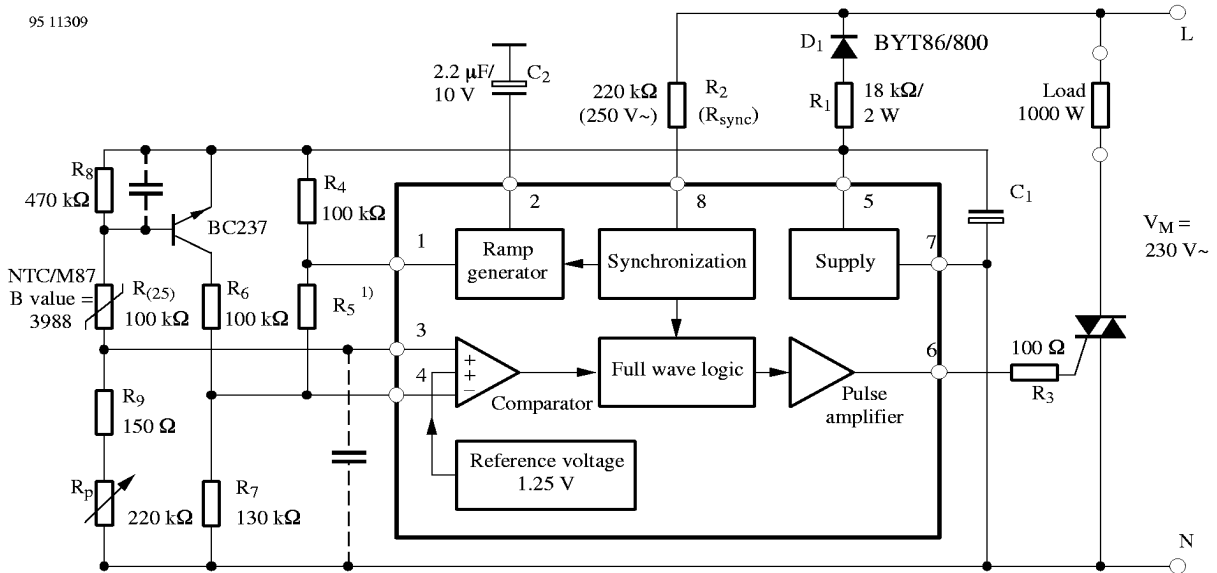
Parameters	Test Conditions / Pin	Symbol	Min	Typ	Max	Unit
Supply voltage limitation	$-I_S = 5\text{ mA}$ Pin 5	$-V_S$	8.6	9.25	9.9	V
Supply current	Pin 5	$-I_S$			500	μA
Voltage limitation	$I_8 = \pm 1\text{ mA}$ Pin 8	$\pm V_I$	7.5		8.7	V
Synchronous current	Pin 8	$\pm I_{sync}$	0.12			mA
Zero detector		$\pm I_{sync}$		35		μA
Output pulse width	$V_M = 230\text{ V}$, $R_{sync} = 220\text{ k}\Omega$ $R_{sync} = 470\text{ k}\Omega$	t_p		260 460		μs
Output pulse current	$V_6 = 0\text{ V}$ Pin 6	$-I_O$	100			mA
Comparator						
Input offset voltage	Pin 3,4	V_{I0}		5	15	mV
Input bias current	Pin 4	I_{IB}			1	μA
Common mode input voltage	Pin 3,4	$-V_{IC}$	1		$(V_S - 1)$	V
Threshold internal reference	$V_3 = 0\text{ V}$ Pin 4	$-V_T$		1.25		V
Ramp generator, Pin 1, figure 1						
Period	$-I_S = 1\text{ mA}$, $I_{sync} = 1\text{ mA}$, $C_1 = 100\text{ }\mu\text{F}$, $C_2 = 1\text{ }\mu\text{F}$, $R_4 = 100\text{ k}\Omega$	T		1.5		s
Final voltage		V_1	0.9	1.40	1.80	V
Initial voltage			6.8	7.3	7.8	
Charge current	$V_2 = 0\text{ V}$, $I_8 = -1\text{ mA}$ Pin 2	$-I_2$	13	17	26	μA

Applications



95 11308

Figure 8. Power switch



95 11309

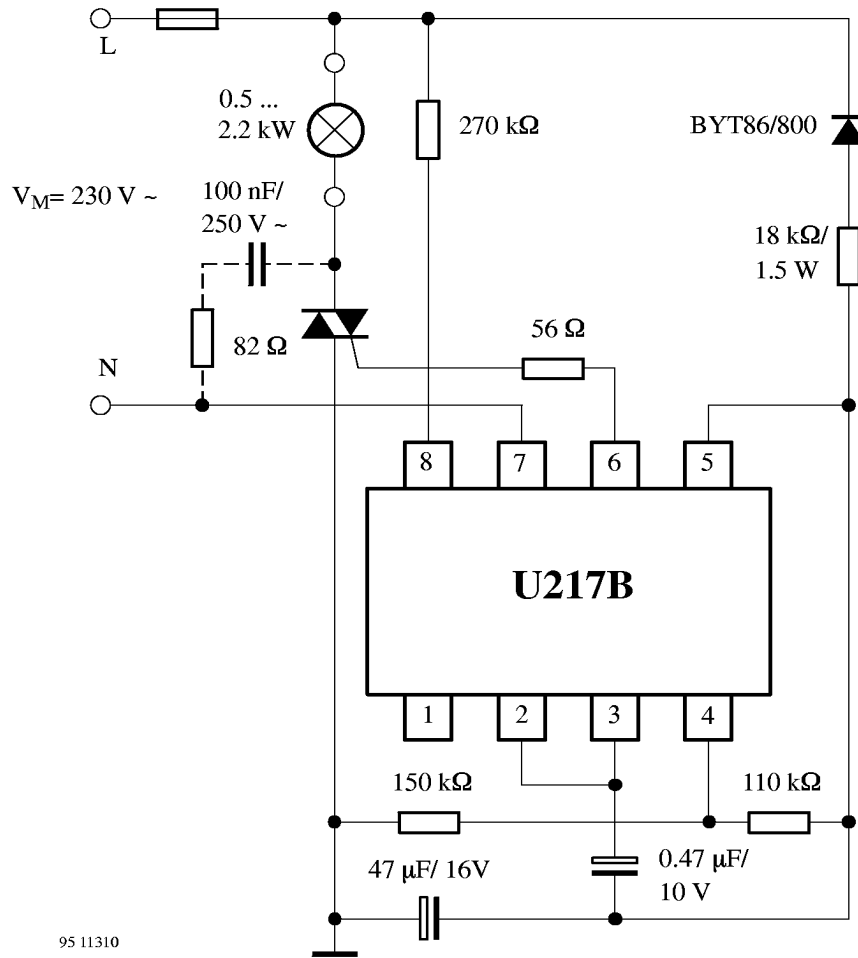
Figure 9. Temperature control 15 to 35°C with sensor monitoring

NTC-Sensor M 87 Fabr. Siemens

$$R_{(25)} = 100 \text{ k}\Omega / B = 3988 \Rightarrow R_{(15)} = 159 \text{ k}\Omega$$

$$R_{(35)} = 64.5 \text{ k}\Omega$$

$R_5^{1)}$ determines the proportional range



95 11310

Figure 10. Power blinking switch with $f \approx 2.7$ Hz, duty cycle 1:1, power range 0.5 to 2.2 kW

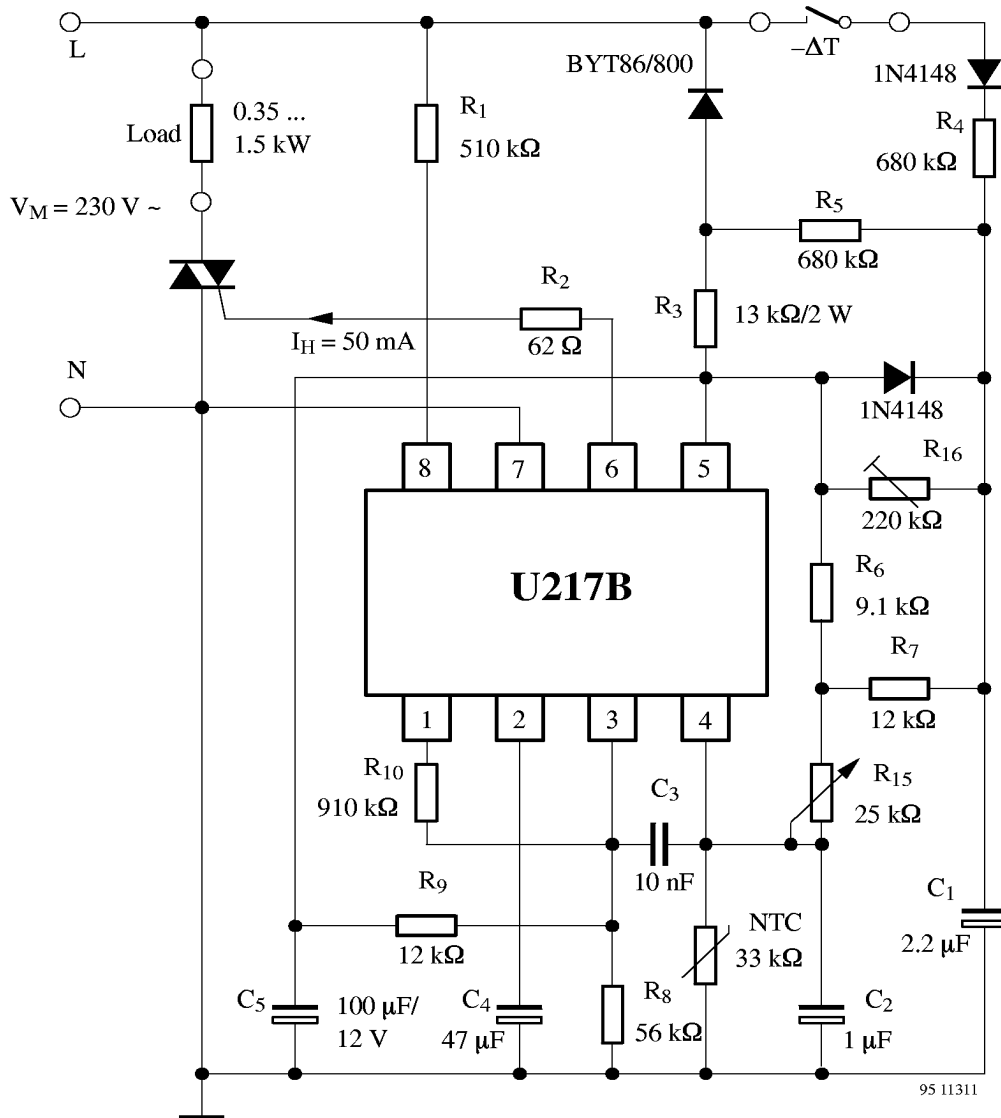


Figure 11. Room temperature control with definite reduction (remote control) for a temperature range 5 to 30°C

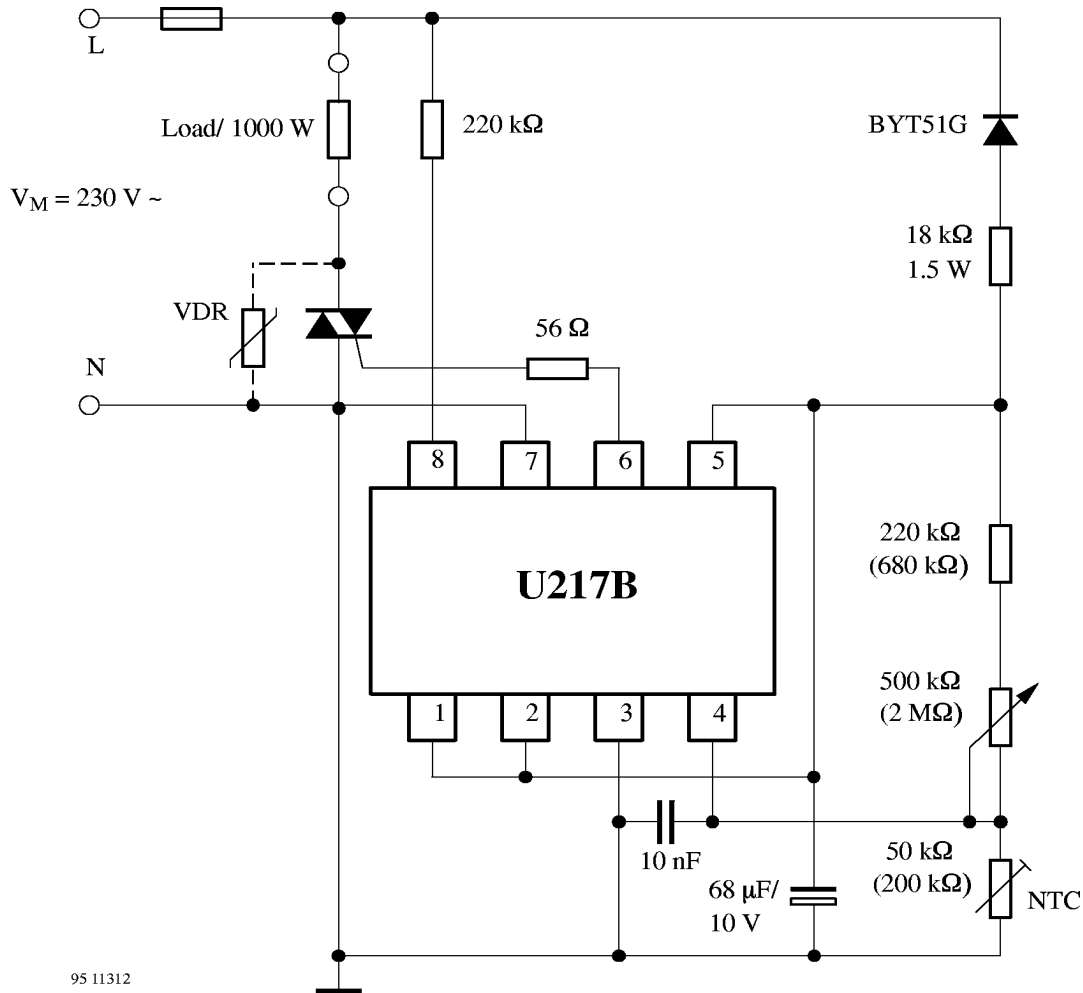
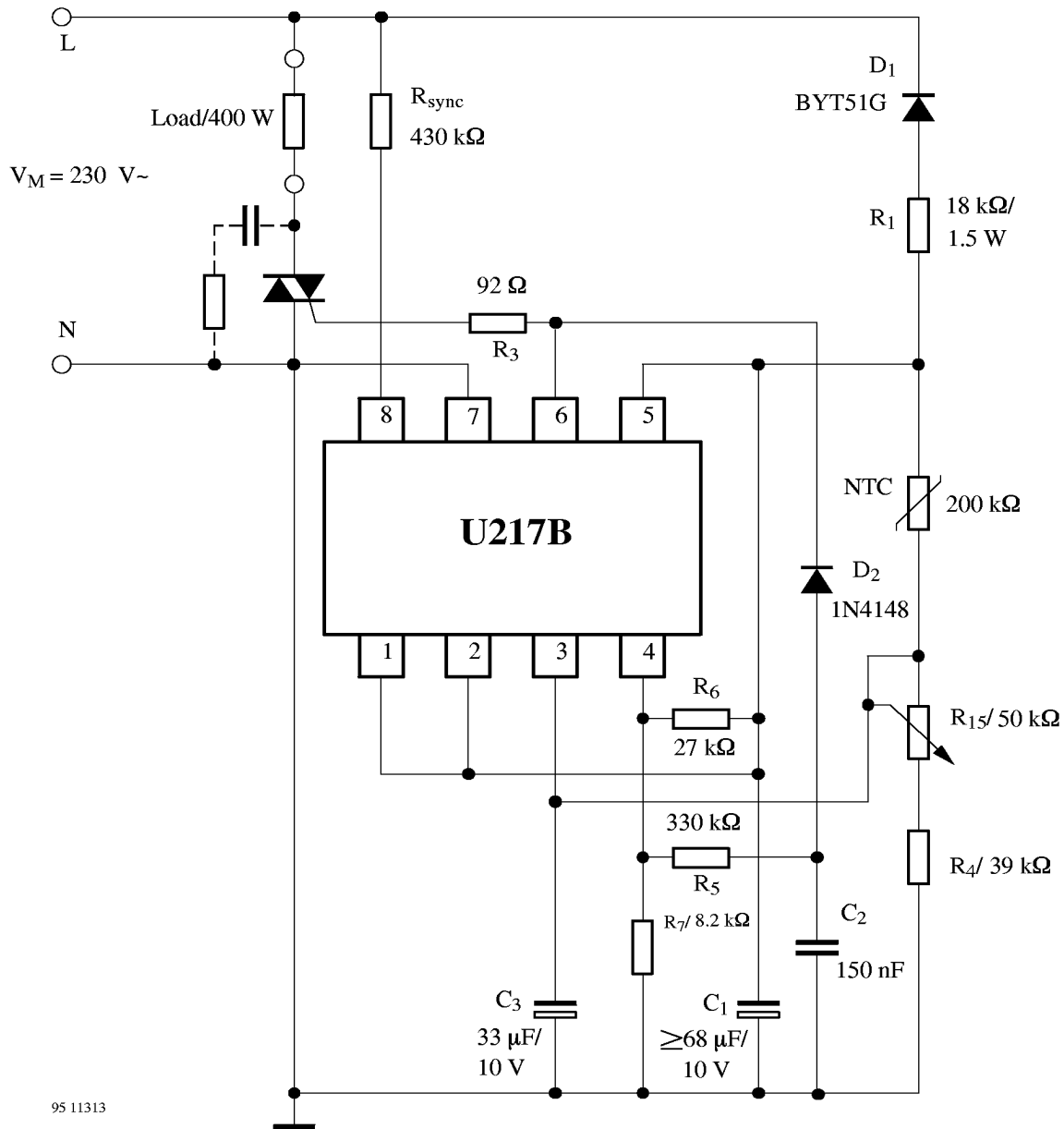


Figure 12. Two-point temperature control for a temperature range 15 to 30°C



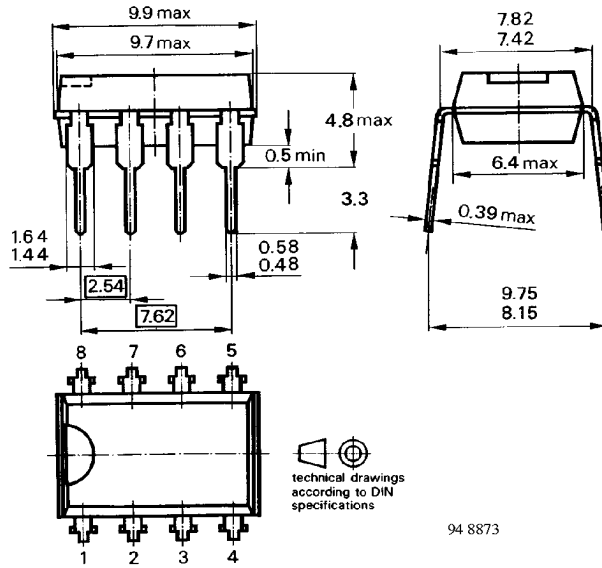
95 11313

Figure 13. Two-point temperature control for a temperature range 18 to 32°C and hysteresis of $\pm 0.5^\circ\text{C}$ at 25°C

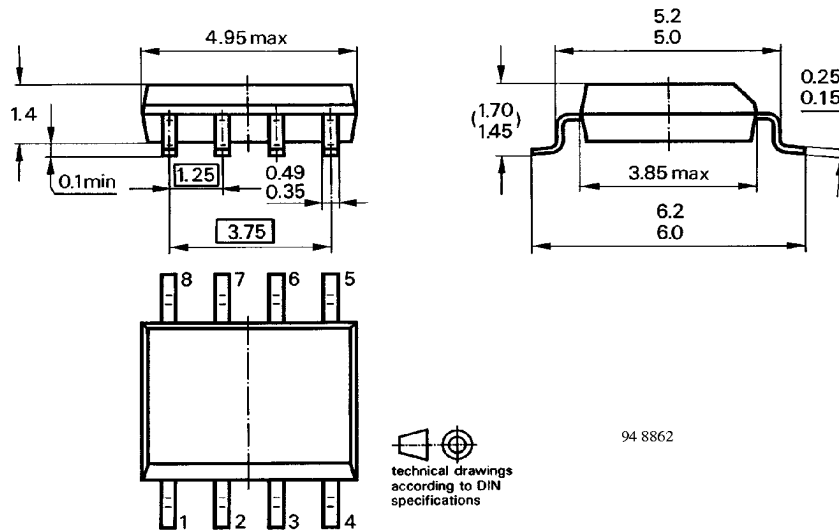
U217B/ U217B-FP

Dimension in mm

Package: DIP8



Package: SO8



Ozone Depleting Substances Policy Statement

It is the policy of **TEMIC TELEFUNKEN microelectronic GmbH** to

1. Meet all present and future national and international statutory requirements.
2. Regularly and continuously improve the performance of our products, processes, distribution and operating systems with respect to their impact on the health and safety of our employees and the public, as well as their impact on the environment.

It is particular concern to control or eliminate releases of those substances into the atmosphere which are known as ozone depleting substances (ODSs).

The Montreal Protocol (1987) and its London Amendments (1990) intend to severely restrict the use of ODSs and forbid their use within the next ten years. Various national and international initiatives are pressing for an earlier ban on these substances.

TEMIC TELEFUNKEN microelectronic GmbH semiconductor division has been able to use its policy of continuous improvements to eliminate the use of ODSs listed in the following documents.

1. Annex A, B and list of transitional substances of the Montreal Protocol and the London Amendments respectively
2. Class I and II ozone depleting substances in the Clean Air Act Amendments of 1990 by the Environmental Protection Agency (EPA) in the USA
3. Council Decision 88/540/EEC and 91/690/EEC Annex A, B and C (transitional substances) respectively.

TEMIC can certify that our semiconductors are not manufactured with ozone depleting substances and do not contain such substances.

We reserve the right to make changes to improve technical design and may do so without further notice.

Parameters can vary in different applications. All operating parameters must be validated for each customer application by the customer. Should the buyer use TEMIC products for any unintended or unauthorized application, the buyer shall indemnify TEMIC against all claims, costs, damages, and expenses, arising out of, directly or indirectly, any claim of personal damage, injury or death associated with such unintended or unauthorized use.

TEMIC TELEFUNKEN microelectronic GmbH, P.O.B. 3535, D-74025 Heilbronn, Germany
Telephone: 49 (0)7131 67 2831, Fax number: 49 (0)7131 67 2423