



i n v e n t

Hardware and Software Guide

HP Notebook Series

Document Part Number: 375802-001

December 2004

This guide explains how to identify, access, and use the hardware and software features available on your notebook.

© Copyright 2004 Hewlett-Packard Development Company, L.P.

Microsoft and Windows are U.S. registered trademarks of Microsoft Corporation. SD Logo is a trademark of its proprietor. Bluetooth is a trademark owned by its proprietor and used by Hewlett-Packard Company under license. Adobe and Acrobat are trademarks of Adobe Systems Incorporated.

The information contained herein is subject to change without notice. The only warranties for HP products and services are set forth in the express warranty statements accompanying such products and services. Nothing herein should be construed as constituting an additional warranty. HP shall not be liable for technical or editorial errors or omissions contained herein.

Hardware and Software Guide
HP Notebook Series
First Edition December 2004
Reference Number: ze2000
Document Part Number: 375802-001

Contents

1 Hardware

Top Components	1-1
Keys	1-1
TouchPad	1-3
Power Controls	1-4
Lights	1-5
Wireless and Volume Buttons	1-7
Antennae	1-8
Front Components	1-9
Lights	1-9
Speakers, Jacks and Display Release Button	1-11
Rear Components	1-12
Left-Side Components	1-13
Ports and Jacks	1-13
PC Card Slot and Button	1-14
Right-Side Components	1-15
Bottom Components	1-17
Mini PCI and Memory Compartments	1-17
Bays, Battery Latch and Vents	1-18
Additional Components	1-19
Hardware	1-19
Optical Discs	1-20
Labels	1-21

2 TouchPad and Keyboard

TouchPad	2-1
Identifying TouchPad Components	2-1
Using the TouchPad.	2-2
Setting TouchPad Preferences	2-3
Hotkeys	2-5
Identifying Hotkeys	2-5
Hotkey Quick Reference	2-6
Using Hotkey Procedures	2-7
Using Hotkey Commands	2-7
Keypads	2-14
Using the Embedded Numeric Keypad	2-14
Using an External Numeric Keypad	2-17

3 Power

Power Sources	3-1
Selecting a Power Source	3-1
Switching Between Battery and External Power.	3-3
Power Control and Light Locations	3-4
Standby, Hibernation and Shutdown Overviews	3-5
Standby	3-5
Hibernation	3-6
Leaving Your Work.	3-7
Interference with Drive Media	3-7
Standby, Hibernation and Shutdown Procedures.	3-8
Turning the Notebook On or Off.	3-8
Initiating or Resuming from Standby	3-9
Initiating or Restoring from Hibernation.	3-10
Using Emergency Shutdown Procedures	3-11
Power Preferences	3-12
Using Power Schemes	3-12
Setting a Standby Password.	3-12
Setting Other Power Preferences.	3-12

Battery Pack	3–14
Charging a Battery Pack	3–14
Monitoring the Charge in a Battery Pack	3–15
Managing Low-Battery Conditions	3–17
Calibrating a Battery Pack	3–19
Conserving Battery Pack Power	3–23
Replacing a Battery Pack	3–25
Storing a Battery Pack	3–27
Disposing of a Used Battery Pack	3–27

4 Multimedia

Internal Speakers	4–1
Volume Controls	4–2
External Audio Devices	4–3
Using the Audio-Out (Headphone) Jack	4–3
Using the Audio-In (Microphone) Jack	4–4
External Video Devices	4–5
Connecting an S-Video Device (Select Models Only)	4–5
Displaying a Video Image	4–7
CD and DVD Procedures	4–8
Inserting or Removing a Disc	4–8
Using Media Activity Hotkeys	4–9
Setting AutoPlay Preferences	4–10
Protecting Playback	4–11
Protecting a CD or DVD Write Process	4–12
Observing the Copyright Warning	4–12
Changing DVD Region Settings	4–13
Multimedia Software	4–15
Multimedia Software Overview	4–15
Selecting Multimedia Applications	4–16
Installing WinDVD Creator	4–17

5 Wireless (Select Models Only)

Wireless Local Area Network (Select Models Only) . . .	5–2
Setting Up a WLAN in Your Home	5–4
Using a WLAN Connection	5–5
Using Wireless Security Features	5–6
Installing Wireless Software (Optional)	5–7
Troubleshooting Devices	5–8
Bluetooth (Select Models Only)	5–9
Device Power States	5–11
Turning On the Devices	5–13
Turning Off and Disabling the Devices	5–14

6 Security

Security Features	6–1
Security Preferences in the Setup Utility	6–3
QuickLock	6–3
Passwords	6–4
HP and Windows Passwords	6–5
HP and Windows Password Guidelines	6–6
HP Administrator Password	6–8
Setting HP Administrator Passwords	6–8
Entering HP Administrator Passwords	6–9
Power-On Passwords	6–10
Setting Power-On Passwords	6–10
Entering Power-On Passwords	6–11
Device Security	6–12
Antivirus Software	6–13
Critical Security Updates for Windows XP	6–14
Firewall Software	6–15
Optional Security Cable	6–16

7 Hardware Upgrades and Replacements

Device Connections	7-1
Connecting Any Powered Device	7-1
Connecting a USB Device	7-2
Connecting a 1394 Device (Select Models Only)	7-3
Connecting a Communication Device	7-4
Digital Memory Cards	7-5
Using the 6-in-1 Digital Media Reader Light	7-6
Inserting a Digital Memory Card	7-7
Removing a Digital Memory Card	7-8
PC Cards	7-9
Inserting a PC Card	7-10
Stopping or Removing a PC Card	7-11
Drives	7-12
Adding a Drive to the System	7-12
Using the IDE Drive Light	7-12
Caring for Drives	7-13
Replacing the Internal Hard Drive	7-14
Memory	7-19
Increasing Memory	7-19
Removing or Inserting a Memory Module	7-20

8 Software Updates and Recoveries and System Software

Software Updates	8-1
Preparing for a Software Update	8-2
Downloading and Installing an Update	8-3
Software Recoveries	8-7
Using System Restore	8-7
Repairing or Reinstalling Software	8-8
Quick Launch Buttons Control Panel	8-9
Accessing the Quick Launch Buttons Control Panel	8-9

Displaying Hotkey Information	8–12
Setting Button Assignments on an External Keyboard	8–13
Setup Utility	8–14
Opening the Setup Utility	8–14
Changing the Language of the Setup Utility	8–15
Navigating and Selecting in the Setup Utility	8–15
Displaying System Information	8–16
Restoring Default Settings in the Setup Utility	8–17
Using Advanced Setup Utility Features	8–18
Closing the Setup Utility	8–19

A Specifications

Operating Environment	A–1
Rated Input Power	A–2
Expansion Port Input/Output Signals	A–3

Index

Top Components**Keys**

Component	Description
❶ Function keys (12)	Perform system and application tasks. When combined with fn , the function keys perform additional tasks as hotkeys.
❷ Windows logo key	Displays the Microsoft® Windows® Start menu.

(Continued)

Component	Description
③ fn key	Combines with other keys to perform system tasks. For example, pressing fn+f7 decreases screen brightness.
④ Keypad keys (15)	Can be used like the keys on an external numeric keypad.
⑤ Windows applications key	Displays a shortcut menu for items beneath the pointer.

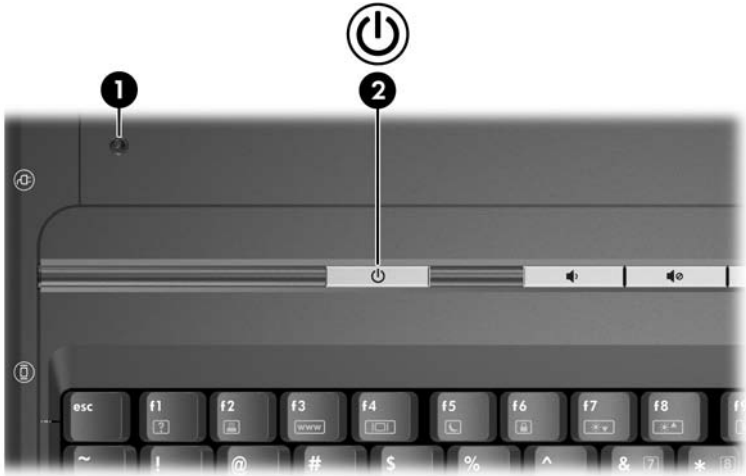
TouchPad




Component	Description
① TouchPad*	Moves the pointer.
② Left TouchPad button*	Functions like the left button on an external mouse.
③ Right TouchPad button*	Functions like the right button on an external mouse.
④ TouchPad vertical scrolling region*	Scrolls upward or downward.

*This table describes default settings. For information about changing the functions of TouchPad components, see the [“Setting TouchPad Preferences”](#) section in [Chapter 2, “TouchPad and Keyboard.”](#)

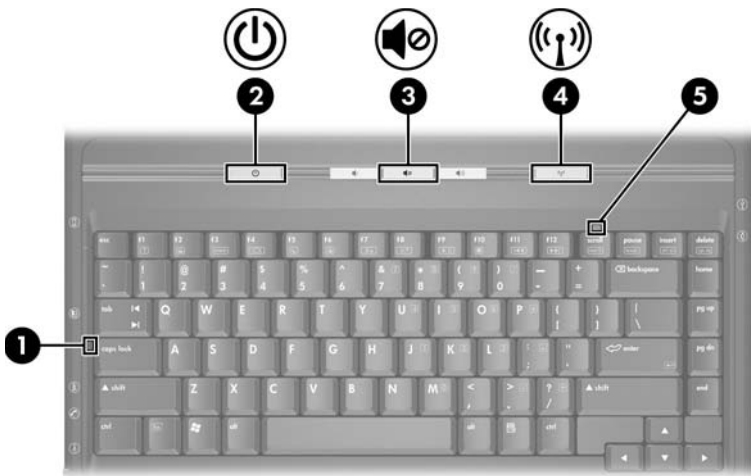
Power Controls



Component	Description
❶ Display switch*	If the notebook is closed while on, initiates standby.
❷ Power/standby button*	<p>When the notebook is</p> <ul style="list-style-type: none"> ■ Off, press to turn on the notebook. ■ On, briefly press to initiate hibernation. ■ In standby, briefly press to resume from standby. ■ In hibernation, briefly press to restore from hibernation. <p> If the system has stopped responding and Windows shutdown procedures cannot be used, press and hold for at least 4 seconds to turn off the notebook.</p>

*This table describes default settings. For information about changing the function of the display switch or power/standby button, see the “[Setting Other Power Preferences](#)” section in [Chapter 3, “Power.”](#)”

Lights



Component	Description
❶ Caps lock light	On: Caps lock is on.
❷ Power/standby light [†]	On: Notebook is turned on. Blinking: Notebook is in standby. Off: Notebook is off.
❸ Mute light	On: Volume is muted.

(Continued)

Component	Description
④ Wireless light (available on select models)*	On: One or more optional internal wireless devices, such as a WLAN and/or a Bluetooth® device (select models only), are turned on.†
⑤ Num lock light	On: Num lock or the embedded numeric keypad is on.

*The wireless lights (on the wireless button and on the front of the notebook) display the same information. The wireless light on the wireless button is visible only when the notebook is open; the wireless light on the front of the notebook is visible when the notebook is closed.


†For information about establishing a wireless link, visit <http://www.hp.com/go/wireless>.

‡The power/standby light associated with the power/standby button and the power/standby light on the front of the notebook display the same information. The power/standby light associated with the power/standby button is visible only when the notebook is open; the power/standby light on the front of the notebook is visible when the notebook is closed.

Wireless and Volume Buttons




Component	Description
❶ Volume down button	Decreases system volume.
❷ Volume mute button	Mutes or restores volume.
❸ Volume up button	Increases system volume.
❹ Wireless button (available on select models)	Turns the wireless functionality on or off but does not create a wireless connection.

 To establish a wireless connection, a wireless network must already be set up. For information about establishing a wireless link, visit <http://www.hp.com/go/wireless>.

Antennae

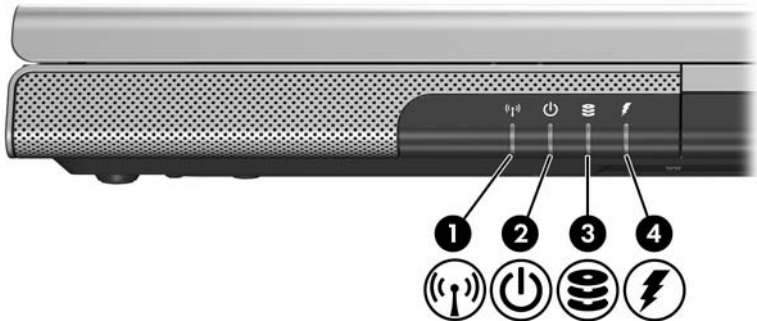


Component	Description
Antennae (2)*	Send and receive wireless device signals.  Exposure to Radio Frequency Radiation. The radiated output power of this device is below the FCC radio frequency exposure limits. Nevertheless, the device should be used in such a manner that the potential for human contact during normal operation is minimized. To avoid the possibility of exceeding the FCC radio frequency exposure limits, human proximity to the antennae should be not less than 20 cm (8 inches) during normal operation, including when the notebook display is closed.

*The antennae are available on select models. The antennae are not visible from the outside of the notebook. For optimal transmission, keep the areas immediately around the antennae free from obstructions.

Front Components

Lights



Component	Description
❶ Wireless light* (available on select models)	On: One or more optional internal wireless devices, such as a WLAN and/or a Bluetooth device (select models only), are turned on.†
❷ Power/standby light‡	On: Notebook is turned on. Blinking: Notebook is in standby. Off: Notebook is off.

(Continued)

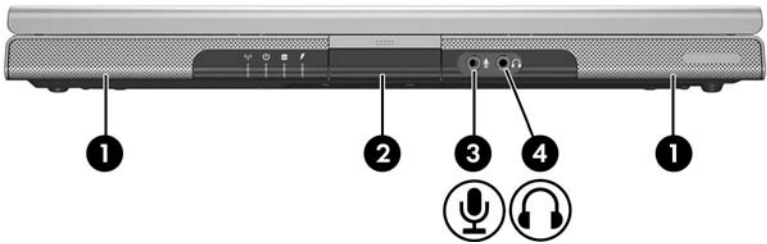
Component	Description
③ IDE (Integrated Drive Electronics) drive light	On or blinking: The internal hard drive or an optical drive is being accessed.
④ Battery light	On: The battery pack is charging. Blinking: The battery pack has reached a low-battery condition. Off: The battery pack is fully charged or not inserted.

*The wireless lights display the same information. The wireless light on the front of the notebook is visible when the notebook is closed; the wireless light on the wireless button is visible only when the notebook is open.

†For information about establishing a wireless link, visit <http://www.hp.com/go/wireless>.

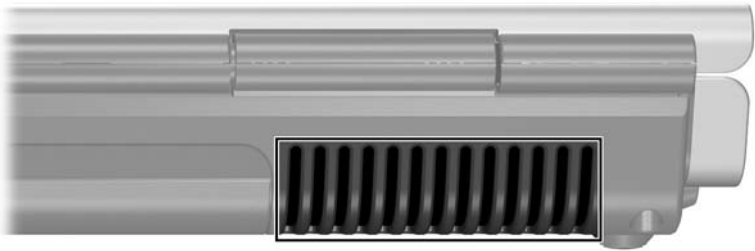
‡The power/standby light associated with the power/standby button and the power/standby light on the front of the notebook display the same information. The power/standby light associated with the power/standby button is visible when the notebook is open; the power/standby light on the front of the notebook is visible only when the notebook is closed.

Speakers, Jacks and Display Release Button



Component	Description
① Stereo speakers (2)	Produce stereo sound.
② Display release button	Opens the notebook.
③ Audio-in (microphone) jack	Connects an optional monaural (single sound channel) microphone.
④ Audio-out (headphone) jack	Connects optional headphones or powered stereo speakers. Also connects the audio function of an audio/video device such as a television or VCR.

Rear Components

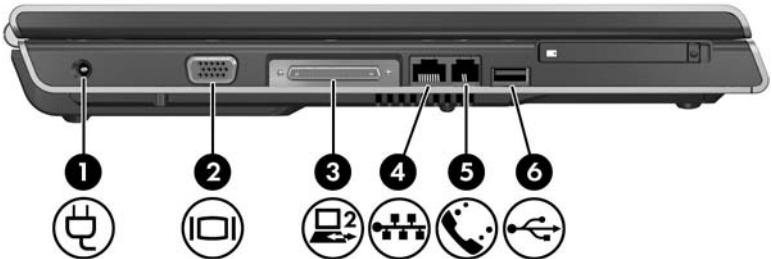


Component	Description
Exhaust vent*	Provides airflow to cool internal components. △ To prevent overheating, do not obstruct vents. Do not allow a hard surface, such as a printer, or a soft surface, such as pillows or thick rugs or clothing, to block airflow.

*The notebook has 4 vents. This and all other vents are visible on the bottom of the notebook. One vent is also visible on the left side of the notebook.

Left-Side Components

Ports and Jacks

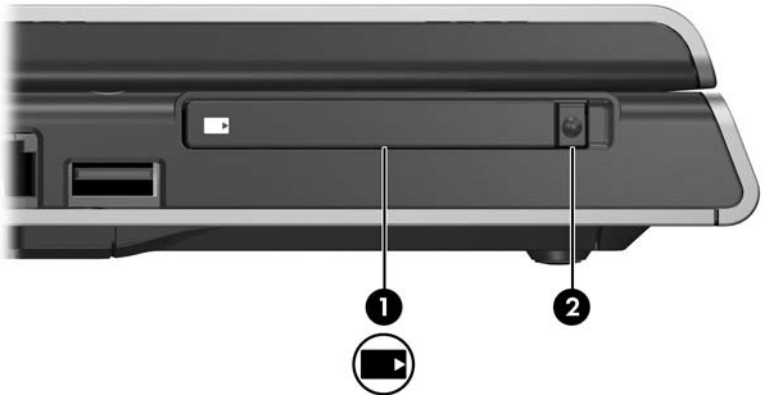


Component	Description
❶ Power connector	Connects the AC adapter cable.
❷ Monitor port	Connects an optional VGA monitor or projector.
❸ Expansion port (available on select models)*	Connects the notebook to an optional Expansion Base.
❹ RJ-45 (network) jack	Connects an optional network cable.
❺ RJ-11 (modem) jack	Connects the modem cable.
❻ USB port†	Connects an optional USB device.

*For expansion port signal information, see the [“Expansion Port Input/Output Signals”](#) section in [“Appendix A.”](#)

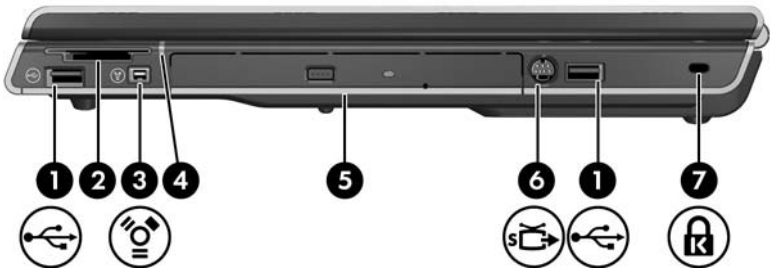
†Depending on the model, the notebook has 2 or 3 USB ports. The other USB ports are on the right side of the notebook.

PC Card Slot and Button




Component	Description
❶ PC Card slot	Supports an optional Type I or Type II 32-bit (CardBus) or 16-bit PC Card.
❷ PC Card eject button	Ejects an optional PC Card from the PC Card slot.

Right-Side Components



Component	Description
❶ USB ports (1 or 2 depending on the notebook model)*	Connect optional USB devices.
❷ 6-in-1 Digital Media Reader slot (available on select models)	Supports an optional digital memory card. [†]
❸ 1394 port (select models only)	Connects an optional 1394a device such as a scanner, a digital camera, or a digital camcorder.
❹ 6-in-1 Digital Media Reader light (available on select models)	On: An optional digital memory card is being accessed.
❺ Optical drive [‡]	Supports an optical disc.

(Continued)

Component	Description
⑥ S-Video-out jack (available on select models)	Connects an optional S-Video device such as a television, VCR, camcorder, projector, or video capture card.
⑦ Security cable slot	Attaches an optional security cable to the notebook.  Security solutions are designed to act as deterrents. These deterrents may not prevent a product from being mishandled or stolen.

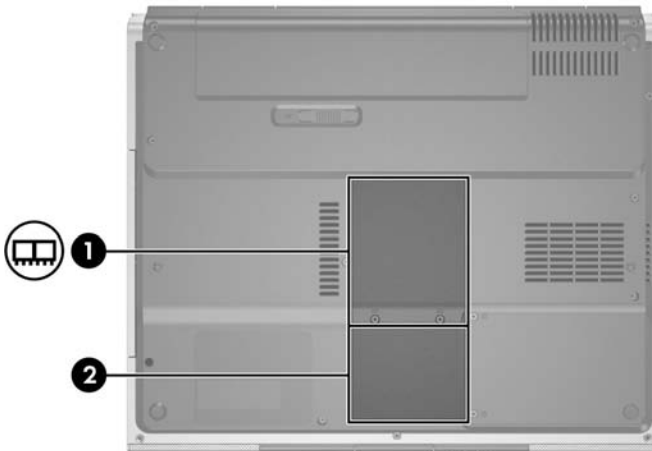
*Depending on the model, the notebook has 2 or 3 USB ports. The other USB port is on the left side.

†The digital memory card could be a Secure Digital (SD) Memory Card, Memory Stick, Memory Stick Pro, xD-Picture Card, MultiMediaCard, or SmartMedia (SM) card.

‡The type of optical drive—for example, a DVD-ROM drive, a DVD/CD-RW Combo Drive, or a DVD+R/RW and CD-RW Combo Drive—varies by notebook model.

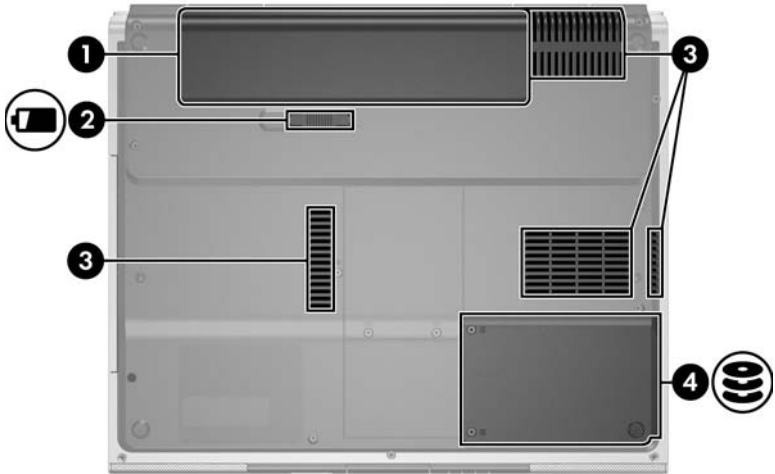
Bottom Components

Mini PCI and Memory Compartments



Component	Description
1 Mini PCI compartment	Holds an optional wireless LAN device.
2 Memory compartment	<p> \triangle To prevent an unresponsive system and the display of a warning message, install only a Mini PCI device authorized for use in your notebook by the governmental agency that regulates wireless devices in your country. If you install an unauthorized device and then receive a warning message, remove the device to restore notebook functionality. Then contact Customer Care. </p> <p> Contains 2 memory slots that support replaceable memory modules. The number of preinstalled memory modules varies by notebook model. </p>

Bays, Battery Latch and Vents



Component	Description
① Battery bay	Holds a battery pack.
② Battery pack release latch	Releases a battery pack from the battery bay.*
③ Exhaust vents (4)†	Provide airflow to cool internal components. <div style="display: flex; align-items: center;"> △ <p>To prevent overheating, do not obstruct vents. Do not allow a hard surface, such as a printer, or a soft surface, such as pillows or thick rugs or clothing, to block airflow.</p> </div>
④ Hard drive bay	Holds the internal hard drive.

*Battery packs vary by model.

†The notebook has 4 vents. One vent is also visible on the rear of the notebook.

Additional Components

Hardware

The components included with your notebook vary by region, country, notebook model, and the optional hardware you purchased. The following sections identify the standard external components included with most notebook models.



Component	Description
❶ Battery pack*	Powers the notebook when the notebook is not connected to external power.
❷ AC adapter	Converts AC power to DC power.
❸ Power cord*	Connects an AC adapter to an AC outlet.
❹ Modem cable*	Connects a modem to an RJ-11 telephone jack or to a country-specific modem adapter.
❺ Country-specific modem adapter (included by region as required)*	Adapts the modem cable to a non-RJ-11 (modem) jack.

*Battery packs vary by model. Power cords, modem cables, and modem adapters vary in appearance by region and country.

Optical Discs

Software on optical discs, such as CDs or DVDs, is included with all notebook models.

- The software applications packaged in the Required for Setup bag are not preinstalled on your notebook. Depending on how you want to use your notebook, you might want to install some or all of these applications.
- The software applications packaged in the Save for Later bag are preinstalled or preloaded on your notebook. The software discs are provided in case you ever need to repair or reinstall this software.
 - ❑ Additional discs packaged with your notebook provide operating system recovery software and driver recovery software. Application recovery software is provided with select notebook models.
 - ❑ The *Notebook Documentation* CD contains Adobe® Acrobat® PDF files, not software. The files on the *Notebook Documentation* CD are not preinstalled or preloaded on your notebook.

Labels

The labels affixed to the notebook provide information you might need when you troubleshoot system problems or travel internationally with the notebook.

- **Service Tag**—Provides the product name, product number (P/N), and serial number (S/N) of your notebook. You might need the product number and the serial number when you contact Customer Care. The Service Tag label is affixed to the bottom of the notebook. To display the information on the Service Tag on your screen, select **Start > Help and Support**.
- **Microsoft Certificate of Authenticity**—Contains the Microsoft® Windows® Product Key. You might need the Product Key to update or troubleshoot the operating system. This certificate is affixed to the bottom of the notebook.
- **Regulatory label**—Provides regulatory information about the notebook. The Regulatory label is affixed to the inside of the battery bay.
- **Modem Approval label**—Provides regulatory information about the modem and lists the agency approval markings required by some of the countries in which the modem has been approved for use. You might need this information when traveling internationally. The Modem Approval label is affixed to the inside of the memory compartment cover.
- **Wireless certification labels**—Some notebook models include an optional WLAN device and/or an optional Bluetooth® device. If your notebook model includes one or more wireless devices, a certificate providing regulatory information about each device and the approval markings of some of the countries in which the device has been approved for use is included with your notebook. You might need this information when traveling internationally. Wireless certification labels are affixed to the inside of the Mini PCI compartment cover.

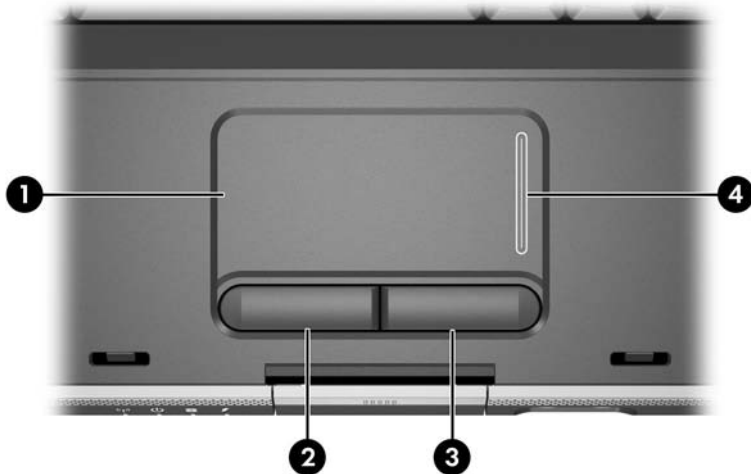
TouchPad and Keyboard

TouchPad

Identifying TouchPad Components

The TouchPad includes the following components:

- ❶ TouchPad
- ❷ Left TouchPad button
- ❸ Right TouchPad button
- ❹ TouchPad vertical scrolling region



Using the TouchPad

The TouchPad provides the navigation, selection, and scroll functions of an optional external mouse:

- To move the pointer, slide your finger across the TouchPad surface in the direction you want to move the pointer.
- To execute the click functions of the left or right button on an external mouse, press the left or right TouchPad button.
- To scroll, place your finger onto a scrolling region, and then slide your finger along the scrolling region in the direction you want to scroll. (Sliding your finger from the TouchPad to a scrolling region without first lifting your finger from the TouchPad and then placing it on the scrolling region will not activate the scrolling region.)

The TouchPad is enabled when the notebook is turned on. If you work with keystrokes rather than mouse actions, you might prefer to disable the TouchPad to prevent accidental TouchPad activity.

Setting TouchPad Preferences

In the Windows Mouse Properties window you can

- Adjust basic pointing device settings such as click speed, pointer speed and shape, and mouse trails.
- Configure the right and left TouchPad buttons for right-handed or left-handed use. These buttons are set by default for right-handed use.

To access the Mouse Properties window, select **Start > Control Panel > Printers and Other Hardware > Mouse**.



All Windows instructions in your notebook documentation describe Microsoft Windows XP procedures based on the default Windows XP category view. For information about switching between Windows XP classic view and Windows XP category view, select **Start > Help and Support > Customizing your computer > Files, folders, and programs > Use Windows classic folders**.

In the **TouchPad Properties** window you can access additional TouchPad preferences.

- » To access the **TouchPad Properties** window, use the TouchPad to select **Start > Control Panel > Printers and Other Hardware > Mouse > Device Settings**, and then select the **Settings** button. (If you follow this path using an optional external mouse, the **TouchPad Properties** window might be unavailable.)

Among the preferences available in the **TouchPad Properties** window are

- **TouchPad Tapping**, which enables you to tap the TouchPad once to select an item or twice to double-click an item.

To access TouchPad Tapping settings, select **Tapping**.

- **Edge Motion**, which sets the TouchPad to continue cursor movement when your finger reaches the edge of the TouchPad.

To access Edge Motion settings, select **Pointer Motion**.

- **Long Distance Scrolling**, which sets the scrolling region to continue scrolling when your finger reaches the end of the scrolling region.

To access Long Distance Scrolling, select **Virtual Scrolling**.

- **PalmCheck**, which helps keep the TouchPad from being accidentally activated while you are using the keyboard.

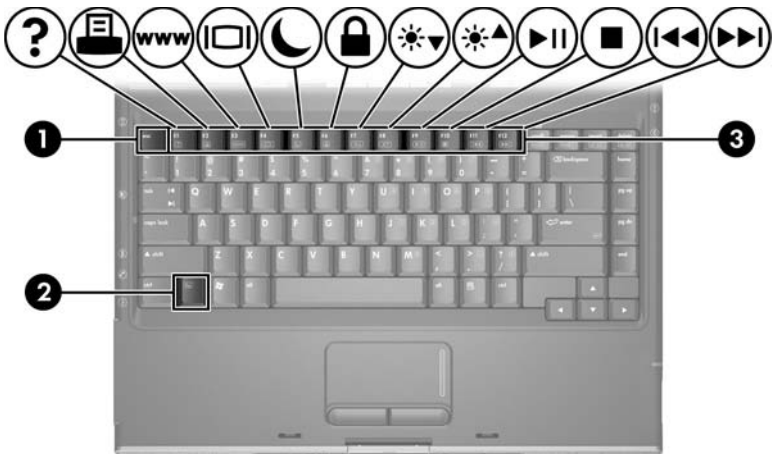
To access PalmCheck, select **Sensitivity**.

Hotkeys

Identifying Hotkeys

Hotkeys are preset combinations of the **esc** key ❶, the **fn** key ❷, and one of the function keys ❸.

The icons on the **f1** through **f12** keys represent hotkey functions. Hotkey functions and procedures are described in the following sections.



Hotkey Quick Reference

The following table identifies the default hotkey functions. The function of the **fn+f5** hotkey can be changed. For instructions, see the “[Setting Other Power Preferences](#)” section in [Chapter 3](#), “[Power](#).”

Default Function	Hotkey
Opens Help and Support Center.	fn+f1
Opens print options window.	fn+f2
Opens default Internet browser.	fn+f3
Switches the image among displays.	fn+f4
Initiates standby.	fn+f5
Initiates QuickLock.	fn+f6
Decreases screen brightness.	fn+f7
Increases screen brightness.	fn+f8
Plays, pauses, or resumes an audio CD or DVD.	fn+f9
Stops an audio CD or DVD.	fn+f10
Plays the previous track or chapter on an audio CD or DVD.	fn+f11
Plays the next track or chapter on an audio CD or DVD.	fn+f12
Displays system information.*	fn+esc

*To clear the system information display, press **esc**.

Using Hotkey Procedures

Using Hotkeys On the Internal Keyboard

To use a hotkey command on the notebook keyboard, use either of the following procedures:

- Briefly press **fn**, and then briefly press the second key of the hotkey command.
- Press and hold down **fn**, briefly press the second key of the hotkey command, and then release both keys at the same time.

Using Hotkeys on an External Keyboard

To use a hotkey command on an external keyboard, press the **scroll lock** key twice, then the second key only of the hotkey combination. For example, to use the **fn+f5** command on an external keyboard, press **scroll lock+scroll lock+f5**.

Using Hotkey Commands

Open Help and Support Center (fn+f1)

The **fn+f1** hotkey opens the Help and Support Center.

In addition to providing information about your operating system, the Help and Support Center provides

- Information about your notebook, such as model and serial number, installed software, hardware components, and specifications.
- Answers to questions about using your notebook.
- Tutorials to help you learn to use notebook and operating system features.
- Updates for your operating system, drivers, and the software provided on your notebook.

- Checkups for notebook functionality.
- Automated and interactive troubleshooting, repair solutions, and system recovery procedures.
- Links to Customer Care.

You can also access the Help and Support Center by selecting **Start > Help and Support**.

Open Print Window (fn+f2)

In Windows the **fn+f2** hotkey opens the print options window of the active Windows application.

Open Internet Explorer (fn+f3)

The **fn+f3** hotkey opens Internet Explorer.

- Until you have set up your Internet or network services, the **fn+f3** hotkey opens the Windows Internet Connection wizard. For information about using this wizard and other Internet connection methods, refer to the printed *Getting Started* guide included with your notebook.
- After you have set up your Internet or network services and your Web browser home page, you can use the **fn+f3** hotkey to quickly access your home page and the Internet.

Switch Image (fn+f4)

The **fn+f4** hotkey switches the image among display devices connected to the system. For example, if an optional monitor is connected to the notebook through the monitor port, each time you press the **fn+f4** hotkey the image will switch among the notebook display, the monitor display, and a simultaneous display on both the notebook and the monitor.

Most monitors receive video information from the notebook using the external VGA video standard. The **fn+f4** hotkey can also toggle images among other devices receiving video information from the notebook.

The following video transmission types, with examples of devices that use them, are supported by the **fn+f4** hotkey:

- LCD (notebook display)
- External VGA (most monitors)
- S-Video (televisions, camcorders, VCRs, and video capture boards with S-Video-in jacks)
- Composite video (televisions, camcorders, VCRs, and video capture boards with composite video-in jacks)



Composite video devices can be connected to the system only by using an HP xc2000 Notebook All-in-One Media Cable.

Initiate Standby (fn+f5)

The **fn+f5** hotkey is set by default to initiate standby.

When standby is initiated, your work is saved in random access memory (RAM), the screen clears, and power is conserved.

While the notebook is in standby, the power/standby lights blink.

- To initiate standby, the notebook must be on. If the notebook is in hibernation, you must restore from hibernation before you can initiate standby.
- To resume from standby or restore from hibernation, briefly press the power/standby button.

For more information about using standby and hibernation, see [Chapter 3, “Power.”](#)

The function of the **fn+f5** hotkey can be changed in the operating system. For example, you can set the **fn+f5** hotkey to initiate hibernation instead of standby. In all Windows operating system windows, references to the *sleep button* apply to the **fn+f5** hotkey. For information about changing the function of the **fn+f5** hotkey, see the “[Setting Other Power Preferences](#)” section in [Chapter 3, “Power.”](#)

For more information about using standby and hibernation, see [Chapter 3, “Power.”](#)

Initiate QuickLock (fn+f6)

The **fn+f6** hotkey initiates the QuickLock security feature.

QuickLock protects your work by displaying the operating system Log On window. While the Log On window is displayed, the notebook cannot be accessed until a Windows user password or a Windows administrator password is entered.

Before you can use QuickLock, you must set a Windows user password or a Windows administrator password. For instructions, refer to the Help and Support Center. To access the Help and Support Center, press the **fn+f1** hotkey or select **Start > Help and Support**.

- » To use QuickLock, press **fn+f6** to display the Log On window and lock the notebook. Then follow the instructions on the screen to enter your Windows user password or your Windows administrator password and access the notebook.

For information about combining Windows passwords with HP passwords, refer to [Chapter 6, “Security.”](#)

Decrease Brightness (fn+f7)

The **fn+f7** hotkey decreases the brightness of the notebook screen. The longer you hold down the **fn+f7** hotkey, the more the screen dims. Decreasing screen brightness conserves power.

- » To increase screen brightness, press the **fn+f8** hotkey.

Increase Brightness (fn+f8)

The **fn+f8** hotkey increases the brightness of the notebook screen. The longer you hold down the **fn+f8** hotkey, the more the screen brightens.

- » To decrease screen brightness, press the **fn+f7** hotkey.

Media Activity Hotkeys (fn+f9 through fn+f12)

The following 4 media activity hotkeys can control the play of an audio CD or a DVD. To control the play of a video CD, use the media activity controls in your video CD player.

Play, Pause, or Resume an Audio CD or a DVD (fn+f9)

- If the audio CD or the DVD is not playing, press the **fn+f9** hotkey to begin or resume the play.
- If the audio CD or the DVD is playing, press the **fn+f9** hotkey to pause the play.

Stop an Audio CD or a DVD (fn+f10)

The **fn+f10** hotkey stops the play of an audio CD or a DVD.

You must stop a CD or DVD that is playing before you can remove it from the optical drive. For more information about inserting or removing a CD or DVD, see the [“Inserting or Removing a Disc”](#) section in [Chapter 4, “Multimedia.”](#)

Play Previous Track or Chapter of an Audio CD or a DVD (fn+f11)

The **fn+f11** hotkey plays the previous track of an audio CD or the previous chapter of a DVD that is playing.

Play Next Track or Chapter of an Audio CD or a DVD (fn+f12)

The **fn+f12** hotkey plays the next track of an audio CD or the next chapter of a DVD that is playing.

Display System Information (fn+esc)

The **fn+esc** hotkey displays information about system hardware components and software version numbers.

To clear the display, press **esc**.

In the **fn+esc** display, the version of the system BIOS (basic input-output system) is displayed as the BIOS date. On some notebook models, the BIOS date is displayed in decimal format. The BIOS date is sometimes called the *system ROM version number*. For information about updating the system ROM, see the [“Software Updates”](#) section in [Chapter 8, “Software Updates and Recoveries and System Software.”](#)

Keypads

You can do keypad work with your notebook by using the embedded numeric keypad in the notebook keyboard or by connecting an optional external numeric keypad.

The embedded numeric keypad cannot be used while an external keypad is connected to the notebook.

Using the Embedded Numeric Keypad

The embedded numeric keypad consists of 15 keys that can be used like the keys on an external numeric keypad. When the embedded numeric keypad is turned on, each keypad key performs the functions indicated by the icon in the upper-right corner of the key.



Turning the Embedded Numeric Keypad On and Off

When the embedded numeric keypad is off, press **fn+num lk** ❶ to turn the keypad on. The num lock light ❷ is turned on.

When the embedded numeric keypad is on, press **fn+num lk** to turn the keypad off. The num lock light is turned off.



Switching the Functions of Keypad Keys

You can temporarily switch the functions of an embedded numeric keypad key between its standard function and its keypad function.

- To use a key on the keypad as a keypad key while the keypad is turned off, press and hold **fn** while pressing the key.
- To use a key on the keypad as a standard key while the keypad is turned on:
 - Press and hold **fn** to type with the key in lowercase.
 - Press and hold **fn+shift** to type with the key in uppercase.

Releasing **fn** returns a keypad key to its set function. For example, a keypad key returns to its keypad function if the keypad is turned on or to its standard function if the keypad is turned off.

Using an External Numeric Keypad



The embedded numeric keypad cannot be turned on while an optional external numeric keypad is connected to the notebook.

Most keys on most external numeric keypads function differently when num lock mode is on than when num lock mode is off. For example:

- When num lock mode is on, most keypad keys type numbers.
- When num lock mode is off, most keypad keys function like the arrow, page up, or page down keys.

Turning Num Lock Mode On and Off As You Work


To turn num lock mode on or off on an external numeric keypad as you work, press the **num lk** key on the external keypad, not on the notebook.

- When an external numeric keypad is turned on and is in num lock mode, the num lock light on the notebook is on.
- When an external numeric keypad is turned off or is turned on with num lock mode turned off, the num lock light on the notebook is off.

Power Sources

Selecting a Power Source

Use the following table to select a recommended power source for the way you plan to use the notebook.

Task	Recommended Power Source
Work in most software applications	<ul style="list-style-type: none">■ Charged battery pack in the notebook■ External power supplied through one of the following devices:<ul style="list-style-type: none"><input type="checkbox"/> AC adapter<input type="checkbox"/> Optional Expansion Base<input type="checkbox"/> Optional Auto/Air/AC Adapter<input type="checkbox"/> Optional Automobile Power Adapter/Charger
Charge or calibrate a battery pack in the notebook	<p>External power supplied through one of the following devices:</p> <ul style="list-style-type: none">■ AC adapter■ Optional Expansion Base■ Optional Automobile Power Adapter/Charger■ Optional Auto/Air/AC Adapter <p> To prevent damage to the notebook and aircraft systems, do NOT charge the battery pack while you are using an Auto/Air/AC Adapter on an aircraft.</p>
Install or modify system software or write to an optical disc	<p>External power supplied through one of the following devices:</p> <ul style="list-style-type: none">■ AC adapter■ Optional Expansion Base

Switching Between Battery and External Power

The notebook runs on external power whenever external power is available to the notebook. This conserves the charge in an inserted battery pack. External power can be supplied through the AC adapter or through an optional Expansion Base, Auto/Air/AC Adapter, or Automobile Power Adapter/Charger.

Because the notebook switches between battery power and external power according to the availability of external power:

- If the notebook is running on battery power and you connect the notebook to external power, the notebook switches to external power.
- If the notebook is running on external power (and contains a charged battery pack) and you disconnect the notebook from external power, the notebook switches to battery power.

A Power Meter icon is displayed by default in the notification area, at the far right of the taskbar. The Power Meter icon changes shape whenever the power source changes between battery power and external power.

If the Power Meter icon is not displayed in the notification area:

1. Select **Start > Control Panel > Performance and Maintenance > Power Options**.
2. Select the **Advanced** tab.
3. Select the **Always show icon on the taskbar** check box.
4. Select **OK**.

Power Control and Light Locations

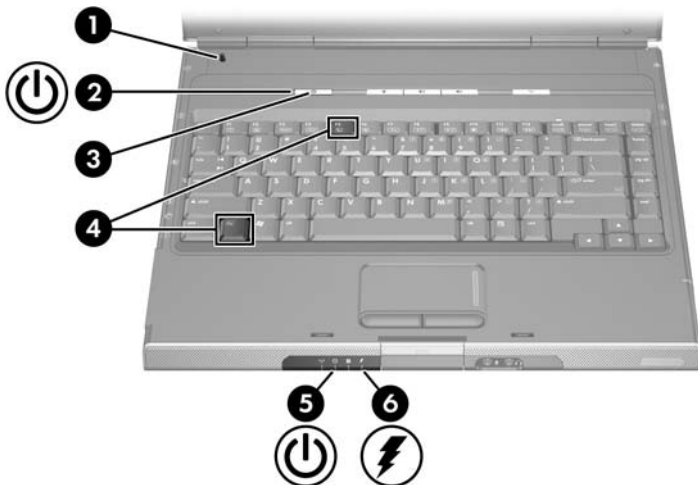
The following illustration is provided as a quick reference to the locations of the power controls and lights on the notebook.

The function of each of these items is summarized in [Chapter 1, “Hardware.”](#) Instructions for using these items are provided in this chapter.

- | | |
|------------------------|-----------------------|
| ❶ Display switch | ❹ fn+f5 hotkey |
| ❷ Power/standby button | ❺ Power/standby light |
| ❸ Power/standby light | ❻ Battery light |



The power/standby light associated with the power/standby button and the power/standby light on the front of the notebook display the same information. The power/standby light associated with the power/standby button is visible only when the notebook is open; the power/standby light on the front of the notebook is visible when the notebook is closed.



Standby, Hibernation and Shutdown Overviews

Standby

Standby reduces power to system components that are not in use. When standby is initiated, your work is saved in random access memory (RAM), the screen is cleared, and the power/standby lights blink. Saving your work before initiating standby is not usually necessary but is a recommended precaution. When you resume from standby, your work is returned instantly to the screen.

By default, the system initiates standby after 10 minutes of notebook inactivity when the notebook is running on battery power and after 25 minutes of inactivity when the notebook is running on external power. For information about changing these settings, see the [“Using Power Schemes”](#) section later in this chapter.

Hibernation



CAUTION: If the configuration of the notebook system is changed during hibernation, it might not be possible to resume from hibernation. When the notebook is in hibernation:

- Do not add or remove a memory module.
- Do not remove or replace the hard drive.
- Do not connect or disconnect an external device.
- Do not insert or remove a CD, DVD, PC Card, or digital memory card.

Hibernation saves your work to a hibernation file on the hard drive and then shuts down the notebook. When hibernation is complete, the power/standby lights are turned off.

When you restore from hibernation, your work is returned to the screen where you left off. Restoring from hibernation takes a little longer than resuming from standby but is much faster than returning to your place manually after restarting the notebook.

To determine whether the notebook is in hibernation or turned off, press the power/standby button.

- If the notebook is in hibernation, your work is returned to the screen.
- If the notebook is off, Windows loads.

When the notebook is running on battery power, hibernation is initiated by default after 30 minutes of notebook inactivity or whenever the notebook reaches a critical low-battery condition.

Hibernation is enabled by default but can be disabled. To prevent loss of work during a critical low-battery condition, disable hibernation only during a battery pack calibration.

- » To verify that hibernation is enabled, select **Start > Control Panel > Performance and Maintenance > Power Options > Hibernate** tab. If hibernation is enabled, the **Enable Hibernation** check box is selected.

Leaving Your Work

If you plan to resume shortly—Initiate standby for shorter times and hibernation for longer times or for power conservation.

The amount of time a battery pack can support standby or hibernation or hold a charge varies by notebook configuration and the condition of the battery pack. Standby requires more power than hibernation.

If you plan to resume within 2 weeks—Shut down the notebook. If possible, connect the notebook to external power to keep an inserted battery pack fully charged.

If the notebook will be unused and disconnected from external power for more than 2 weeks—Shut down the notebook. To extend the life of an inserted battery pack, remove the battery pack and store it in a cool, dry location.

If an external power supply is uncertain—Initiate hibernation or shut down the notebook. A power supply might become uncertain because of such conditions as an electrical storm or a nearly discharged battery pack.

Interference with Drive Media

To prevent the loss of playback or playback quality, do not initiate standby or hibernation while playing a drive medium.

If standby or hibernation is initiated while a drive medium such as a CD or DVD is in use, you might see the warning message “Putting the computer into hibernation or standby may stop the playback. Do you want to continue?” If the message is displayed, select **No**. After you select No:

- Playback might resume.

- or -


- Playback might stop and the screen might be cleared. To return to your work, press the power/standby button and then restart the disc.

Standby, Hibernation and Shutdown Procedures

This section explains the default standby, hibernation, and shutdown procedures. For information about changing the function of some of the power features on your notebook, see the [“Power Preferences”](#) section later in this chapter.

The controls and lights discussed in this section are illustrated in in the [“Power Control and Light Locations”](#) section earlier in this chapter.


Turning the Notebook On or Off

Task	Procedure	Results
Turn on the notebook.	<p>Press the power/standby button.</p>  Pressing the power/standby button turns on the notebook from standby, hibernation, or shutdown.	<ul style="list-style-type: none"> ■ Power/standby lights are turned on. ■ Operating system is loaded.
Shut down the notebook.	<ul style="list-style-type: none"> ■ In Windows XP Home, select Start > Turn Off Computer > Turn Off.*† ■ In Windows XP Professional, select Start > Turn Off Computer > Shut down > OK.*† 	<ul style="list-style-type: none"> ■ Power/standby lights are turned off. ■ Operating system is shut down. ■ Notebook is turned off.

*If the system is unresponsive and you are unable to shut down the notebook with this procedure, see the [“Using Emergency Shutdown Procedures”](#) section later in this chapter.

†Depending on your network connections, the Turn Off Computer button might be called the *Shut Down* button.

Initiating or Resuming from Standby

Task	Procedure	Result
Initiate standby.	<p>With the notebook on, use any of the following procedures:</p> <ul style="list-style-type: none"> ■ Press the fn+f5 hotkey. ■ Close the notebook. <p> When the notebook is closed, the display presses the display switch, which then initiates standby.</p> <ul style="list-style-type: none"> ■ In Windows XP Home, select Start > Turn Off Computer > Stand By.* ■ In Windows XP Professional, select Start > Turn Off Computer > Stand by > OK.* (If standby is not displayed, press the down arrow, and then select Stand by from the drop-down list.) 	<ul style="list-style-type: none"> ■ Power/standby lights blink. ■ Screen is cleared.
Allow the system to initiate standby.	<p>No action is required. The system initiates standby</p> <ul style="list-style-type: none"> ■ After 10 minutes of inactivity while running on battery power. ■ After 25 minutes of inactivity while running on external power. 	<ul style="list-style-type: none"> ■ Power/standby lights blink. ■ Screen is cleared.
Resume from standby.	<ul style="list-style-type: none"> ■ Briefly press the power/standby button. - or - ■ Open the notebook.[†] 	<ul style="list-style-type: none"> ■ Power/standby lights are turned on. ■ Your work is returned to the screen.

*Depending on your network connections, the Turn Off Computer button might be called the *Shut Down* button.

†Depending on your notebook configuration, you might also be able to resume from standby by moving or activating a control on an optional mouse or by opening the display if the notebook was closed while in standby.

Initiating or Restoring from Hibernation

Hibernation cannot be initiated unless it is enabled. Hibernation is enabled by default. To verify that hibernation remains enabled, select **Start > Control Panel > Performance and Maintenance > Power Options > Hibernate** tab. If hibernation is enabled, the **Enable hibernation** check box is selected.

Task	Procedure	Result
Initiate hibernation.	<p>In Windows XP Home, select Start > Turn Off Computer.[*] Then hold down shift as you select the Stand By button.</p> <p>In Windows XP Professional, select Start > Turn Off Computer > Hibernate.[*] (If hibernate is not displayed, press the down arrow, and then select Hibernate from the drop-down list.)</p>	<ul style="list-style-type: none"> ■ Power/standby lights are turned off. ■ Screen is cleared.
Allow the system to initiate hibernation.	<p>No action is required. If the notebook is running on battery power and hibernation is enabled, the system initiates hibernation</p> <ul style="list-style-type: none"> ■ After 30 minutes of notebook inactivity. ■ Whenever the battery pack reaches a critical low-battery condition. 	<ul style="list-style-type: none"> ■ Power/standby lights are turned off. ■ Screen is cleared.
Restore from hibernation.	Press the power/standby button. [†]	<ul style="list-style-type: none"> ■ Power/standby lights are turned on. ■ Your work is returned to the screen.

^{*}Depending on your network connections, the Turn Off Computer button might be called the *Shut Down* button.

[†]If the system initiated hibernation because of a critical low-battery condition, connect external power or insert a charged battery pack before you press the power/standby button. (The system might not respond if the drained battery pack is the only power source.)

Using Emergency Shutdown Procedures

If the notebook does not respond to the standard Windows shutdown procedure for your operating system, try the following emergency shutdown procedures in the sequence provided:

- Press **ctrl+alt+del**. Then
 - In Windows XP Home, select **Shut Down > Turn Off**.
 - In Windows XP Professional, select **Shut down** from the drop-down list, and then select **OK**.
- Press and hold down the power/standby button for at least 4 seconds.
- Unplug the notebook from external power and remove the battery pack. For battery pack removal instructions see the [“Replacing a Battery Pack”](#) section later in this chapter.

Power Preferences

Using Power Schemes

A power scheme controls the amount of power the notebook uses while running on external power or on a battery pack, and also sets the notebook to initiate standby or hibernation after a period of inactivity you specify.

- » To select a preset power scheme or create a custom power scheme, select **Start > Control Panel > Performance and Maintenance > Power Options**, and then follow the instructions on the screen.

Setting a Standby Password

To set the notebook to prompt for a password before resuming from standby, select **Start > Control Panel > Performance and Maintenance > Power Options**. Select the **Advanced tab**, select the check box for **Prompt for password when computer resumes from standby**, and then select **OK**. For information about other passwords and security features, see [Chapter 6, “Security.”](#)

Setting Other Power Preferences

You can change the function of the power/standby button, the **fn+f5** hotkey, and the display switch.

By default, when the notebook is on:

- Briefly pressing the power/standby button initiates hibernation.
- Pressing the **fn+f5** hotkey, called the *sleep button* in all Microsoft operating systems, initiates standby.
- Closing the notebook presses the display switch, which initiates standby.

To change the function of the power/standby button, the **fn+f5** hotkey, or the display switch:

1. Select **Start > Control Panel > Performance and Maintenance > Power Options > Advanced** tab.
 - To change the function of the power/standby button, select a function from the drop-down list for “When I press the power/standby button on my computer.”
 - To change the function of the **fn+f5** hotkey, select a function from the drop-down list for “When I press the sleep button on my computer.”
 - To change the function of the display switch, select a function from the drop-down list for “When I close the lid of my portable computer.” (The function of the display switch when you *open* the display is unaffected by these settings. When you open the display while the notebook is in standby, the display switch turns on the notebook.)
2. Select **OK**.

The hibernate function is available in the power/standby button, sleep button, and display switch drop-down lists only if hibernation is enabled. If the hibernate function is not available on these lists, select **Start > Control Panel > Performance and Maintenance > Power Options > Hibernate** tab. Select the **Enable Hibernation** check box, and then select **OK**.

Battery Pack

Charging a Battery Pack

To prolong battery life and optimize the accuracy of battery charge displays:

- If you are charging a *new* battery pack:
 - ❑ Charge the battery pack while the notebook is connected to external power through the AC adapter.
 - ❑ When you charge the battery pack, charge it fully.
- If you are charging an *in-use* battery pack:
 - ❑ Allow the battery pack to discharge to about 10 percent of a full charge through normal use before charging it.
 - ❑ When you charge the battery pack, charge it fully.

A battery pack inserted in the notebook charges whenever the notebook is connected to external power through an AC adapter or through an optional Expansion Base, Automobile Power Adapter/Charger, or Auto/Air/AC Adapter.



CAUTION: To prevent damage to the notebook and aircraft systems, do NOT charge the battery pack while you are using an Auto/Air/AC Adapter on an aircraft.

A battery pack inserted in the notebook charges whether the notebook is off or in use, but the battery pack charges faster while the notebook is off. Charging might be delayed if a battery pack is new, has been unused for 2 weeks or more, or is much warmer or cooler than room temperature.

The battery light displays charge status:

- On: the battery pack is charging.
- Blinking: the battery pack has reached a low-battery condition and is not charging.
- Off: the battery pack is fully charged or not installed.

For information about determining the amount of charge in a battery pack, see the [“Monitoring the Charge in a Battery Pack”](#) section next in this chapter.

Monitoring the Charge in a Battery Pack

Obtaining Accurate Charge Reports

To increase the accuracy of battery charge reports:

- Allow a battery pack to discharge to about 10 percent of a full charge through normal use before charging it.
- When you charge a battery pack, charge it fully. The charge in even a new battery pack might be reported inaccurately until the battery pack has been fully charged at least once.
- If a battery pack has been unused for one month or more, calibrate the battery pack instead of simply charging it.

For information about battery calibration, see the [“Calibrating a Battery Pack”](#) section later in this chapter.

Displaying Charge Reports

To display battery charge information on the screen, use the operating system Power Meter feature. To access the Power Meter display:

- Select **Start > Control Panel > Performance and Maintenance > Power Options > Power Meter** tab.

- or -

- Select the **Power Meter** icon, which is displayed by default in the notification area. To display the Power Meter icon if the default setting has been changed, select **Start > Control Panel > Performance and Maintenance > Power Options**. Select the **Advanced** tab, select the **Always show icon on the taskbar** check box, and then select **OK**.

Power Meter displays battery status in both percent and time:

- The percent indicates the amount of charge remaining in the battery pack.
- The time indicates the approximate running time remaining on the battery pack *if the battery pack continues to provide power at the current level*. For example, the time remaining will decrease if you start playing a DVD and will increase if you stop playing a DVD.

Managing Low-Battery Conditions

This section describes default low-battery condition alerts and system responses. The default battery light responses cannot be changed. To change other responses, select **Start > Control Panel > Performance and Maintenance > Power Options**, and then follow the instructions on the screen.

Identifying Low-Battery Conditions

When a battery pack that is the only power source for the notebook reaches a *low-battery condition*, a text warning message is displayed, and the battery light blinks.

If a low-battery condition is not resolved and the amount of charge remaining in the battery pack continues to drop, the notebook eventually enters a *critical low-battery condition*. If the notebook is on or in standby when a critical low-battery condition is reached:

- If hibernation is enabled, the system initiates Hibernation. Some unsaved work might be lost.
- If hibernation is disabled, the notebook remains briefly in standby, and then shuts down. All unsaved work is lost.

Hibernation is enabled by default. To verify that hibernation remains enabled, select **Start > Control Panel > Performance and Maintenance > Power Options > Hibernate** tab. If hibernation is enabled, the **Enable Hibernation** check box is selected.

Resolving Low-Battery Conditions



CAUTION: To prevent problems when restoring from hibernation: If the notebook has reached a critical low-battery condition and has begun to initiate hibernation, do not restore power until hibernation is complete. When hibernation is complete, the power/standby lights are turned off.

To resolve a low-battery condition:

- If external power is available, connect the notebook to the external power source.
- If a charged battery pack is available, shut down the notebook or initiate hibernation. Insert a charged battery pack, and then turn on the notebook.
- If no power source is available, save your work. Then initiate hibernation or shut down the notebook.

Calibrating a Battery Pack

When to Calibrate

Even if a battery pack is heavily used, calibration should be necessary only once a month. You do not have to calibrate a new battery pack before first use.

Calibration does not usually increase battery run time, but it can increase the accuracy of battery charge displays, especially under the following conditions:

- When the battery pack has been unused for one month or more.
- When the notebook has been running primarily on external power (and rarely on battery power) for more than one month.
- When battery charge displays report large changes in the percent of power remaining within 2 minutes. For example, if the Power Meter displays 20 percent of a full charge remaining and then less than 2 minutes later displays only 5 percent of a full charge remaining, the rapid drop in charge remaining indicates that the battery pack needs calibration.

For more information about battery charge displays, see the [“Monitoring the Charge in a Battery Pack”](#) section earlier in this chapter.

How to Calibrate

To calibrate a battery pack, you must fully charge, fully discharge, and then fully recharge the battery pack.

Charging the Battery Pack

Charge the battery pack while the notebook is on. To charge the battery pack:



CAUTION: To prevent damage to the notebook and aircraft systems, do NOT charge the battery pack while you are using an Auto/Air/AC Adapter on an aircraft.

1. Insert the battery pack into the notebook.
2. Connect the notebook to external power through the AC adapter or an optional Automobile Power Adapter/Charger or Auto/Air/AC Adapter. (The notebook battery light is on as the battery pack charges.)
3. Leave the notebook connected to external power until the battery pack is fully charged. (The notebook battery light is turned off.)

Discharging the Battery Pack



CAUTION: To prevent loss of work, save your work before beginning an unattended discharge procedure.

The notebook must remain on throughout the discharge process. The battery pack can discharge whether or not you are using the notebook, but the battery pack will discharge faster if the notebook is in use.

If you use the notebook occasionally during the discharge process described below and have set energy-saving timeouts, expect the following performance from your system during the discharge:

- Any unsaved work from your current session will be lost when the battery pack is fully discharged and the notebook is shut down.
- The system will not turn off a connected optional monitor.
- The system will not decrease hard drive speed while the notebook is idle.
- System-initiated standby will not occur.

To fully discharge the battery pack:

1. Disable hibernation. To disable hibernation, select **Start > Control Panel > Performance and Maintenance > Power Options > Hibernate** tab. Then clear the **Enable Hibernation** check box.
2. Display the settings on the Power Schemes tab. To access the Power Schemes tab, select **Start > Control Panel > Performance and Maintenance > Power Options > Power Schemes** tab.
3. Record all settings in the Plugged In column and all settings in the Running On Batteries column, so you can reset them after calibration.
4. Use the drop-down lists to set each item in both columns to **Never**.
5. Select **OK**.
6. Disconnect the notebook from the external power source, but do *not* turn off the notebook.
7. Run the notebook on battery power until the battery pack is fully discharged. When the battery pack is fully discharged, the notebook is shut down.

Recharging the Battery Pack

1. Connect the notebook to external power and maintain the connection until the battery pack is fully recharged and the battery light is turned off.

You can use the notebook while the battery pack is recharging, but the battery pack will charge faster if the notebook is turned off.

2. If the notebook is turned off, turn on the notebook when the battery light is turned off, indicating that the battery pack is fully charged.
3. Display the settings on the Power Schemes tab. To access the Power Schemes tab, select **Start > Control Panel > Performance and Maintenance > Power Options > Power Schemes** tab.
4. Reenter the settings you recorded earlier for the items in the Plugged In column and the Running on Batteries column.
5. Select **OK**.



CAUTION: To prevent an unintended battery drain and a potential loss of work when the notebook reaches a critical low-battery condition, reenables hibernation after calibrating the battery pack. To reenables hibernation: Select **Start > Control Panel > Performance and Maintenance > Power Options > Hibernate** tab. Select the **Enable Hibernation** check box, and then select **OK**.

Conserving Battery Pack Power

To extend the time that a battery pack can run the notebook from a single charge, use the following battery conservation settings and procedures.

Conserving Power as You Work

To conserve power as you work:

- Prevent devices you are not using from drawing power from the notebook. For example:
 - ❑ Turn off wireless and local area network (LAN) connections and close modem applications.
 - ❑ Disconnect from the notebook any external devices that are not plugged into an external power source.
 - ❑ Stop or remove an inserted PC Card.
 - ❑ Disable or remove an inserted digital memory card.
 - ❑ Turn off a device connected to the S-Video-out jack.
- Use optional, externally powered speakers instead of the internal speakers whenever possible. When you use the internal speakers, minimize system volume. Volume can be adjusted with the volume buttons.
- Minimize screen brightness. To decrease screen brightness, press the **fn+f7** hotkey. To increase screen brightness, press the **fn+f8** hotkey.
- If you leave your work, initiate standby or hibernation, or shut down the notebook.

Selecting Power Conservation Settings

To set the notebook to use less power:

- Select a short wait for the screen saver and select a screen saver with minimal graphics and motion. To select a screen saver and a screen saver wait time, select **Start > Control Panel > Appearance and Themes > Display > Screen Saver** tab, and then follow the instructions on the screen.
- Select or create a power scheme that minimizes power use. For more information about using power schemes, see the [“Using Power Schemes”](#) section earlier in this chapter.

Replacing a Battery Pack

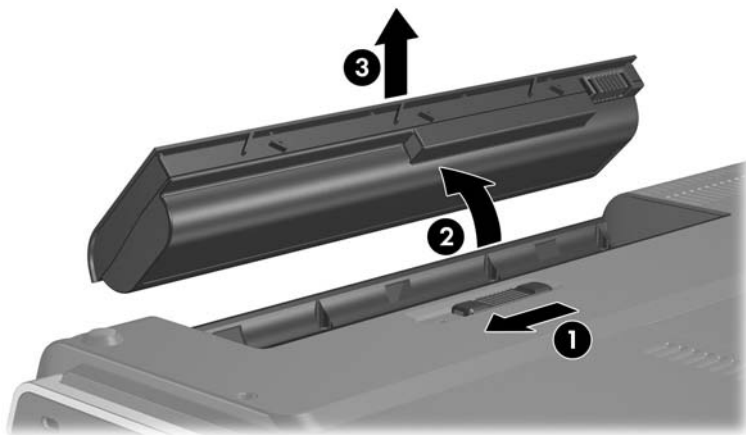
CAUTION: To prevent loss of work when removing a battery pack that is the only power source, shut down the notebook or initiate hibernation before removing the battery pack. (If you initiate hibernation, do not begin the following procedure until the power/standby lights are turned off, indicating that hibernation is complete.)

Removing a Battery Pack

Although battery packs vary by model, the removal procedure is the same for all models.

To remove a battery pack:

1. Turn the notebook upside down.
2. Slide the battery release latch **1** to release the battery pack.
3. Tilt the battery pack **2** and pull it out of the battery bay **3**.

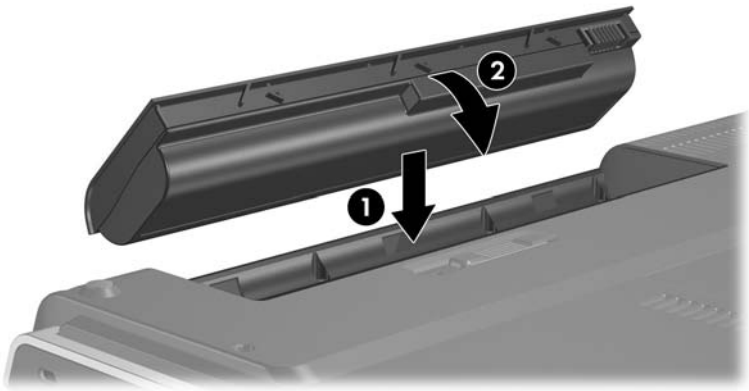


Inserting a Battery Pack

Although battery packs vary by model, the insertion procedure is the same for all models.

To insert a battery pack:

1. Turn the notebook upside down.
2. Lower the battery pack ❶ into the battery bay and rotate it ❷ until it is seated.



Storing a Battery Pack



CAUTION: To prevent damage to a battery pack, do not expose it to high temperatures for extended periods of time.

If the notebook will be unused and disconnected from external power for more than 2 weeks, remove and store the battery pack.

High temperatures, which might be present in parked cars or some workplaces, accelerate the self-discharge rate of a stored battery pack. To prolong the charge of a stored battery pack, place it in a location that is cool and dry.

Calibrate a battery pack that has been stored for one month or more before using it.

Disposing of a Used Battery Pack



WARNING: To reduce the risk of fire or burns, do not disassemble, crush, or puncture a battery pack; short the external contacts on a battery pack; or dispose of a battery pack in fire or water. Do not expose a battery pack to high temperatures above 60°C (140°F). Replace only with a battery pack approved for this computer.



When a battery pack has reached the end of its useful life, do not dispose of the battery pack in general household waste. Follow the local laws and regulations in your area for computer battery pack disposal.

In Europe, dispose of or recycle the battery packs by using the public collection system or by returning them to HP, your authorized service partner, or their agents.

Internal Speakers

The internal speakers, identified in the following illustration, play sound in stereo from applications, the operating system, games, drive media, the Internet, and other sources.

If an external device, such as headphones, is connected to the audio-out jack, the internal speakers are disabled.



Volume Controls

You can adjust volume with the volume buttons on the notebook or the volume control software available in your operating system and in some multimedia applications. The volume mute button on the notebook overrides all software volume settings.

- To access the operating system volume controls, select **Start > Control Panel > Sounds, Speech, and Audio Devices > Sounds and Audio Devices**, and then select the **Volume** tab.
 - To access additional sound quality settings, such as balance, select the **Advanced** button in the Device volume pane.
 - To display a volume icon in the notification area, select the check box for **Place volume icon in the taskbar**, and then select **OK**.
- To adjust volume using the notebook volume buttons:
 - To decrease volume, press the volume down button ❶.
 - To mute or restore volume, press the volume mute button ❷.
 - To increase volume, press the volume up button ❸.

When volume is muted, the mute light (on the volume mute button) is turned on. When volume is restored, the mute light is turned off.



External Audio Devices

Using the Audio-Out (Headphone) Jack



WARNING: To reduce the risk of personal injury, adjust the volume before putting on headphones.



CAUTION: To prevent possible damage to an external device, do not plug a monaural (single sound channel) plug into the audio-out jack.

The audio-out jack, sometimes called a *headphone* jack, connects optional headphones or externally-powered stereo speakers. The audio-out jack, identified in the following illustration, is also used to connect the audio functions of an audio/video device such as a television or VCR.

When you connect a device to the audio-out jack, use only a 3.5-mm plug.

When a device is connected to the audio-out jack, the internal speakers are disabled.



Using the Audio-In (Microphone) Jack

The audio-in jack, identified in the following illustration, connects an optional monaural (single sound channel) microphone. The audio-in jack is sometimes called a *microphone* jack.

It is recommended that you use an electret condenser microphone with a 3.5-mm plug. If you connect a dynamic microphone, the recommended sensitivity might not be achieved.



External Video Devices

Connecting an S-Video Device (Select Models Only)

Connecting the Audio

The S-Video-out jack, available only on select models, supports video signals only.

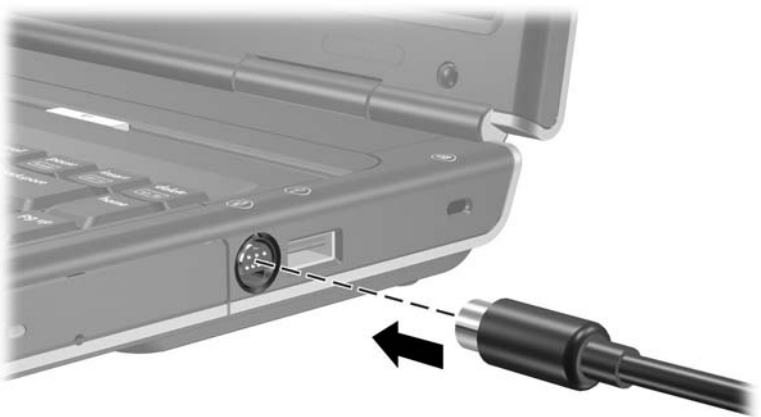
If you are setting up a configuration that combines audio and video functions, such as playing a DVD movie on your notebook and displaying it on your television, you need a standard 3.5-mm audio cable available from most computer or electronics retailers.

Plug the stereo end of the audio cable into the audio-out (headphone) jack on the notebook. Plug the other end of the cable into the audio-in jack on the external device. For more information about the notebook audio-out jack, see the [“Using the Audio-Out \(Headphone\) Jack”](#) section earlier in this chapter.

Connecting the Video

To transmit video signals through the S-Video-out jack, you need a standard S-Video cable, available from most computer or electronics retailers.

Plug either end of the S-Video cable into the notebook S-Video-out jack, illustrated below. Plug the other end of the cable into the S-Video-in jack on the external device.



Displaying a Video Image

To display an image on the notebook display or a video device display, both the notebook and the video device must be turned on.

- » To switch the image between the notebook display and the video device display, repeatedly press the **fn+f4** hotkey. Pressing the **fn+f4** hotkey switches the image among the notebook display, any connected displays, and simultaneous display.

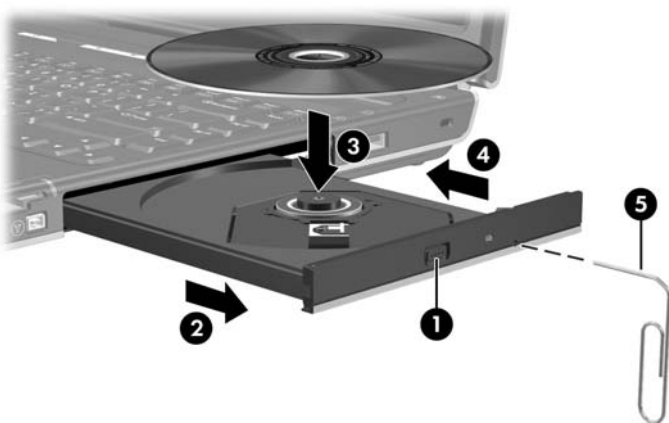
For more information about **fn+f4** and other hotkeys, see the “Hotkeys” section in [Chapter 2, “TouchPad and Keyboard.”](#)

CD and DVD Procedures

Inserting or Removing a Disc

Use the following procedures to insert or remove an optical disc such as a CD or a DVD. A disc that is playing must be stopped before it can be removed. To stop a disc, press the **fn+f10** hotkey.

- To insert a disc—Be sure the notebook is turned on. Then press the release button **1** on the drive bezel to release the media tray. Pull the tray outward **2**, place the disc label-side up on the media tray **3**, and then close the media tray **4**.
- To remove a disc while the notebook is turned on—Press the release button on the drive bezel to release the media tray. Pull the tray outward, remove the disc, and then close the media tray.
- To remove a disc while the notebook is turned off:
 - a. Insert the end of a small object like a paper clip into the release access **5** in the front bezel of the drive.
 - b. Press gently on the paper clip until the media tray is released.
 - c. Pull the tray outward, remove the disc, and then close the media tray.



Using Media Activity Hotkeys

Media activity hotkeys are preset combinations of the **fn** key ❶ and 4 of the function keys. You can use these hotkeys to control the play of an audio CD or a DVD that is inserted in the optical drive.

To control the play of an inserted video CD, use the media activity controls in your video CD player application.

- To play, pause, or resume an inserted audio CD or a DVD, press the **fn+f9** hotkey ❷.
- To stop an inserted audio CD or a DVD that is playing, press the **fn+f10** hotkey ❸.
- To play the previous track of an audio CD or the previous chapter of a DVD that is playing, press the **fn+f11** hotkey ❹.
- To play the next track of an audio CD or the next chapter of a DVD that is playing, press the **fn+f12** hotkey ❺.



For more information about these and other hotkeys, see the “Hotkeys” section in [Chapter 2, “TouchPad and Keyboard.”](#)

Setting AutoPlay Preferences

AutoPlay is the operating system feature that determines how the notebook responds when you access files on a removable storage device such as a DVD-ROM drive, a DVD/CD-RW Combo Drive, or a DVD+RW/R and CD-RW Combo Drive.

AutoPlay default settings vary by notebook model and configuration. For example, the first time you insert a CD or DVD into an optical drive and close the tray, the CD or DVD might begin playing or the AutoPlay pop-up window might be displayed. If the AutoPlay pop-up window is displayed, select your preferences as instructed on the screen.

The default AutoPlay settings can be changed. For example, you can set the notebook to display a slide show of the pictures on a CD containing digital photographs, begin playing the first track of a CD containing music, or display the names of the folders and files on a CD containing data files. You can also set the notebook to prompt you for a preference each time you insert a disc or to do nothing when you insert a disc.

At many AutoPlay settings, there might be a pause of several seconds while AutoPlay opens both the disc and the associated disc player application.

AutoPlay preferences are not available for diskette drives, but can be applied to most other removable storage devices. AutoPlay preferences can be set for a digital memory card such as a Secure Digital (SD) Memory Card, Memory Stick, Memory Stick Pro, xD-Picture Card, MultiMediaCard, or SmartMedia (SM) card.

To access AutoPlay settings:

1. Select **Start > My Computer**.
2. In the **Devices with Removable Storage** group, right-click an item such as a DVD-ROM drive.
3. Right-click **Properties**.
4. Select the **AutoPlay** tab.

Protecting Playback

To prevent the loss of playback or playback quality:

- For optimal playback quality, save your work and close all open applications before playing a CD or a DVD.
- Dock or undock the notebook from an optional Expansion Base *before* or *after* playing a disc, not *while* playing a disc.

Do not initiate standby or hibernation while playing a disc. If standby or hibernation is initiated while a disc is in use, you might see the warning message “Putting the computer into hibernation or standby might stop the playback. Do you want to continue?” If this message is displayed, select **No**. After you select No:

- Playback might resume.

- or -

- Playback might stop and the screen might be cleared. To return to your work, press the power/standby button and then restart the disc.

Protecting a CD or DVD Write Process



CAUTION: To prevent loss of work and damage to a disc:

- Before writing to a disc, connect the notebook to a reliable external power source. Do not write to a disc while the notebook is running on battery power.
 - Before writing to a disc, close all open applications (including screen savers and antivirus software) except the disc software you are using.
 - Do not copy directly from a source disc to a destination disc or from a network drive to a destination disc. Instead, copy from a source disc or network drive to your hard drive, and then copy from your hard drive to the destination disc.
 - Do not use the notebook keyboard or move the notebook while the notebook is writing to a disc. The write process is sensitive to vibration.
-

Observing the Copyright Warning

It is a criminal offense, under applicable copyright laws, to make unauthorized copies of copyright-protected material, including computer programs, films, broadcasts, and sound recordings. This notebook should not be used for such purposes.

Changing DVD Region Settings



CAUTION: To prevent selecting a region setting that is not your permanent preference, consider that the region setting on your DVD-ROM drive, DVD/CD-RW Combo Drive, or DVD+RW/R and CD-RW Combo Drive can be changed only 5 times.

- The region setting you select the fifth time becomes the permanent region setting on the DVD-ROM drive or Combo Drive.
 - The number of allowable region changes remaining on the drive is displayed in all software that can be used to change a DVD region setting.
-

Most DVDs that contain copyrighted files also contain region codes. The region codes help protect copyrights internationally.

You can play a DVD containing a region code only if the region code on the DVD matches the region setting on your DVD-ROM drive or Combo Drive. If the region code on a DVD does not match the region setting on your DVD-ROM drive or Combo Drive, the message, “Playback of content from this region is not permitted,” is displayed when you insert the DVD.

To play the DVD, you must change the region setting on your DVD-ROM drive or Combo Drive. DVD region settings can be changed in the operating system or in some multimedia applications, as described in the following sections.

Changing DVD Settings in the Operating System

To change DVD region settings in the operating system:

1. Select **Start > Control Panel > Performance and Maintenance > System**. Select the **Hardware** tab. On the Hardware tab, select the **Device Manager** button.
2. Select **DVD/CD-ROM drives**, right-click the DVD-ROM drive or Combo Drive for which you want to change the region setting, and then select **Properties**.
3. Select the **DVD Region** tab, and then follow the instructions on the screen.

Changing DVD Settings in a Multimedia Application

If you use Sonic RecordNow! or InterVideo WinDVD Player software, you might find it more convenient to change DVD region settings within those applications than to change DVD region settings in the operating system.

To access instructions for changing DVD region settings within

- Sonic RecordNow!, select **Start > All Programs > Sonic RecordNow!** Then select the Help button, identified with a question mark icon, on the RecordNow! console.
- InterVideo WinDVD Player, select **Start > All Programs > InterVideo WinDVD Player.** Then select **Help** on the menu bar of the WinDVD console.

Depending on your region and notebook model, multimedia applications such as Sonic RecordNow! and InterVideo WinDVD Player might be included with your notebook.

For more information about Sonic RecordNow! and InterVideo WinDVD Player, see the “[Multimedia Software](#)” section later in this chapter.

Multimedia Software

Multimedia Software Overview

A variety of multimedia applications that you can use to play, create, and manage digital media is included with your notebook. Most can be accessed from a desktop icon or from Start > All Programs. Others might be provided on CD.

Most multimedia applications include a Help file that you can access from the menu bar or from an icon that might be identified with a question mark. Most applications also include tutorials.

You can obtain customer support for any multimedia application included with your notebook.



Some CDs and DVDs contain player software which is not included with your notebook, such as PCFriendly. If you insert a disc that contains player software which is not included with your notebook, you are prompted to install the player software. If you prefer to use multimedia applications which are included with your notebook, decline the player installation and close the installation window.

Before using any multimedia application, it is recommended that you review the [“Setting AutoPlay Preferences”](#) and [“Protecting Playback”](#) and [“Protecting a CD or DVD Write Process”](#) sections earlier in this chapter.

Selecting Multimedia Applications

The multimedia software included with your notebook is determined by your region and notebook model.

The following list describes the capabilities of some of the multimedia applications that might be included with your notebook.

- Microsoft Windows Media Player can be used to play CDs and DVDs, copy music to or from CDs, listen to radio stations, and search for and organize digital media files.
- Sonic RecordNow! can be used to back up data or audio CDs and DVDs, transfer audio files from a CD to a hard drive, play movies, and create audio CDs.
- InterVideo WinDVD Player can be used to play DVDs.
- Windows MovieMaker can be used to create and edit home movies using basic drag-and-drop procedures.
- InterVideo WinDVD Creator can be used to create, edit, and burn movies to a DVD or video CD or to present a group of still photographs as a slide show. WinDVD Creator is provided on CD. For installation instructions, see the next section, “[Installing WinDVD Creator.](#)”

Your notebook might include additional multimedia applications. Be sure to explore

- Your desktop icons.
- The applications listed at **Start > All Programs.**
- The preloaded items that might be available at **Start > All Programs > SW Setup.**

Installing WinDVD Creator

If WinDVD Creator is included with your notebook, it is provided on an *InterVideo WinDVD Creator* CD.

WinDVD Creator can be installed only from a DVD/CD-RW Combo Drive or a DVD+RW/R and CD-RW Combo Drive. If your system does not include either of these drives, you cannot install WinDVD Creator from an *InterVideo WinDVD Creator* CD.

To install WinDVD Creator:

1. Connect the notebook to reliable external power.
2. Close any open applications.
3. Insert the *InterVideo WinDVD Creator* CD into the Combo Drive. After several seconds, an installation wizard is displayed.

If the installation wizard does not display, your AutoPlay settings might have been modified. To proceed with the WinDVD installation, select **Start > Run**. In the Open text field, type: `x:\setup.exe` (where *x* is your Combo Drive designation), and then select **OK**.

4. When the installation wizard is displayed, follow the installation instructions on the screen.

For more information about AutoPlay settings, see the [“Setting AutoPlay Preferences”](#) section earlier in this chapter.

Wireless (Select Models Only)

If your notebook is equipped with an integrated wireless device such as 802.11 or Bluetooth wireless devices, you have a wireless notebook.

- An 802.11 wireless notebook can connect to wireless networks in corporate offices, your home, and public places. Wireless networks include wireless local area networks (WLANs) or “hotspots.” Hotspots are wireless access points available in public places, such as airports, restaurants, coffee shops, hotels, and universities.
- A Bluetooth wireless notebook can connect to other Bluetooth wireless-enabled devices using a wireless personal area network (PAN).

Your notebook has a button that may be used to enable and disable the 802.11 and Bluetooth wireless devices and an associated light to indicate the state of the wireless devices.

In addition to the wireless button and light, your notebook has a software utility, Wireless Assistant, that enables you to control your wireless devices. Wireless Assistant is a software utility that enables you to turn on and off the 802.11 and Bluetooth wireless devices individually. For more information on using Wireless Assistant, refer to the [“Device Power States”](#) section in this chapter.

Wireless Local Area Network (Select Models Only)

With the 802.11 wireless device, you can access a wireless local area network (WLAN), which is composed of other computers and accessories linked by a wireless router or a wireless access point.

- A large scale WLAN, such as a corporate WLAN or public WLAN hotspot, typically use wireless access points, that can handle a large number of computers and accessories and can separate critical network functions.
- A home or small office WLAN typically uses a wireless router, which enables several wireless and wired computers to share an Internet connection, a printer, and files without additional pieces of hardware or software. *Wireless access point* and *wireless router* are often used interchangeably.

Notebooks with 802.11 WLAN devices may support one or more of 3 IEEE physical layer standards:

- 802.11a
- 802.11b
- 802.11g

There are 3 popular implementations of WLAN adapters:

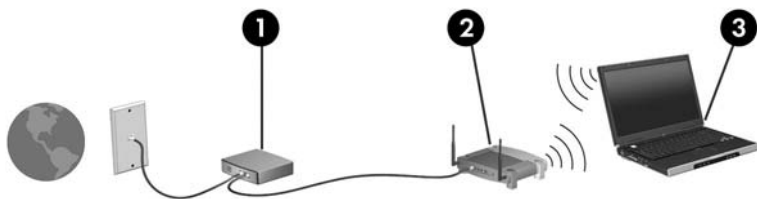
- 802.11b only
- 802.11b/g
- 802.11a/b/g

802.11b, the first popular WLAN standard, supports data rates of up to 11 Mbps and operates at a frequency of 2.4 GHz. 802.11g, which came later, also operates at 2.4 GHz but supports data rates of up to 54 Mbps. An 802.11g WLAN device is backward compatible with 802.11b devices, so they can operate on the same network. 802.11a supports data rates of up to 54 Mbps but operates at a frequency of 5 GHz. 802.11a is not compatible with 802.11b and 802.11g. For information on identifying the type of device in your notebook, refer to the [“Identifying a WLAN Device”](#) section in this chapter.

Setting Up a WLAN in Your Home

To set up a WLAN and connect to the Internet in your home, you need the following equipment. The illustration below shows an example of a completed wireless network installation that is connected to the Internet. This wireless network includes

- An optional broadband modem (either DSL or cable) and high-speed Internet service purchased from an Internet service provider (ISP) ❶.
- An optional wireless router (purchased separately) ❷.
- Your wireless notebook ❸.




As this network grows, additional wireless and wired computers can be connected to the network to access the Internet.



If you need technical assistance to install your WLAN, contact the router manufacturer or your ISP.

Using a WLAN Connection

To use a WLAN connection:

- Verify that all drivers required by the 802.11 wireless device are installed and that the 802.11 wireless device is correctly configured.
 -  If you are using an integrated 802.11 wireless device, all required drivers are installed and the adapter is preconfigured and ready for use.
- If you are using an integrated 802.11 wireless device, verify that the 802.11 wireless device is turned on. When the 802.11 wireless device is turned on, the wireless light is turned on. If the wireless light is off, turn on the 802.11 wireless device. Refer to the “[Device Power States](#)” section.
- For your home WLAN, verify that your router is correctly configured. For instructions, refer to your router documentation.



Functional range for subsequent WLAN connections vary, depending on your notebook WLAN implementation, router manufacturer, and interference from varying types of walls and other electronic devices.

For more information about using a WLAN connection:

- Refer to information from your ISP and the documentation included with your wireless router and other WLAN equipment.
- Access the information and Web site links provided at **Start > Help and Support**.
- Refer to the documentation included with your notebook. The *Troubleshooting* guide on the *Notebook Documentation* CD contains a section about wireless LAN device problems and resolutions.

Using Wireless Security Features

When you set up your own WLAN or access an existing WLAN, always ensure that security features are protecting the WLAN. If you do not enable security on your WLAN, an unauthorized wireless user can access your notebook data and use your Internet connection without your knowledge.

The most common security levels are Wi-Fi Protected Access (WPA)-Personal and Wired Equivalent Privacy (WEP). In addition to enabling WPA-Personal or WEP security encryption on the router, you may want to use one or more of the following security measures:

- Change the default network name (SSID) and password.
- Use a firewall.
- Set security on your Web browser.
- Enable MAC address filtering on the router.

For more information about WLAN security, refer to the HP Web site at <http://www.hp.com/go/wireless> for details.

Installing Wireless Software (Optional)

Microsoft Windows XP supports WLAN configuration with the Zero Client Configuration feature. HP provides a separate WLAN configuration utility that must be installed if you plan to use Cisco Compatible Extensions. Cisco Compatible Extensions enable wireless devices to use Cisco-based WLANs.

Identifying a WLAN Device

To install HP WLAN software for an integrated 802.11 wireless device, you need to know the name of the integrated 802.11 wireless device on your notebook. To identify an integrated 802.11 wireless device:

1. Display the names of all the 802.11 wireless devices on your notebook:
 - a. Select **Start > My Computer**.
 - b. Right-click in the My Computer window.
 - c. Select **Properties > Hardware tab > Device Manager > Network Adapters**.
2. Identify the 802.11 wireless device from the list that is displayed:
 - ❑ The listing for an 802.11 wireless device includes the term *wireless LAN*, *WLAN*, or *802.11*.
 - ❑ If no 802.11 wireless device is listed, either your notebook does not have an integrated 802.11 wireless device, or the driver for the 802.11 wireless device is not properly installed.

Accessing WLAN Software and Documentation

Your WLAN software is preloaded on your notebook and is available in the Software Setup utility.

To install the WLAN software:

- » Select **Start > All Programs > Software Setup**, and then follow the instructions on the screen. (When you are prompted to select the software you want to install, select or clear the corresponding check boxes.)

The WLAN software is also available as a SoftPaq at the HP Web site. To access, download, and install the SoftPaq, use either of the following procedures:

- Select **Start > Help and Support**.

- or -

- Visit the HP Web site at <http://www.hp.com/support>:
 - a. Choose your language and region.
 - b. Select the **Download Drivers and Software** radio button
 - c. Enter your computer model information, and then follow the instructions provided at the Web site.



WLAN software is provided in the Network category. To access model information about your computer, refer to the serial number label. The serial number label is on the bottom of the notebook.

To access documentation for your WLAN software:

1. Install the WLAN software as instructed earlier in this chapter.
2. Open the utility.
3. Select **Help** on the menu bar.

Troubleshooting Devices

For more troubleshooting information, visit the HP Web site (<http://www.hp.com/go/wireless>) or refer to the documentation included with your notebook.

Bluetooth (Select Models Only)

The Bluetooth device provides short-range wireless communications that replace the physical cable connections that traditionally link electronic devices such as

- Network access points.
- Computers (desktop, notebook, PDA).
- Phones (cellular, cordless, smart phone).
- Imaging devices (printer, camera).
- Audio devices (headset, speakers).

The devices are represented in the Bluetooth for Windows software by graphical icons that resemble their physical features, which makes them easily recognizable and distinguishes them from other classes of devices.

The Bluetooth for Windows software provides the following functions:

- Personal Information Management (PIM) item transfer—Sends and receives information files such as business cards, calendar items, notes, and message items to and from another Bluetooth computer or device.
- PIM synchronization—Synchronizes PIM data between a computer, PDA, or cell phone using Bluetooth.
- File Transfer—Sends and receives files to and from another Bluetooth computer.
- Network access (Personal Area Networking Profile)—Enables 2 or more Bluetooth devices to form an ad-hoc (peer-to-peer) network. Provides a mechanism that enables a Bluetooth device to access a remote network through a network access point. The network access points can be traditional LAN data access points or group ad-hoc networks that represent a set of devices that are attached only to one another.

- Dial-up networking—Connects Bluetooth devices to the Internet.
- Bluetooth serial port—Transfers data over the Bluetooth link using a virtual COM port.
- Hands-Free—Enables a vehicle-embedded, hands-free unit or a notebook serving as a hands-free unit to establish a wireless connection to a cellular phone and to act as the Bluetooth cellular phone audio input and output mechanism.
- Basic imaging—Provides a wireless connection between a Bluetooth-enabled camera and other Bluetooth devices. The camera can be controlled remotely by a notebook, and images can be transferred from a camera to be stored on a computer or to be printed.
- Human interface device—Provides a wireless connection to other Bluetooth devices, such as keyboards, pointing devices, gaming devices, and remote monitoring devices.
- Fax—Provides a Bluetooth connection that enables a notebook to send or receive a fax message using a Bluetooth cellular phone or modem.
- Headset—Provides a wireless connection between a headset and a notebook or cellular phone. The headset acts as the device's audio input and output mechanism and increases mobility.

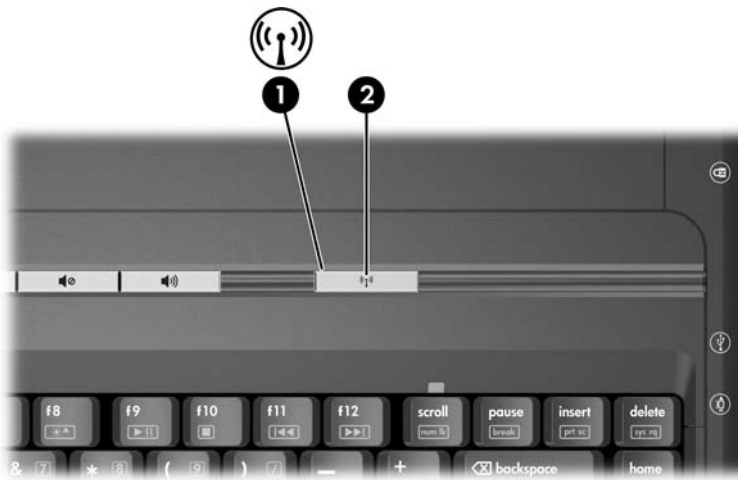
For more information about using Bluetooth with your notebook, refer to the *Wireless Documentation CD* included with your notebook.

Device Power States

The wireless button **1** enables and disables 802.11 wireless and Bluetooth devices in conjunction with Wireless Assistant. By default, the 802.11 wireless and Bluetooth devices and wireless light **2** are turned on when you turn on the notebook.



Turning on a wireless device does not automatically create a WLAN or connect you to a WLAN. For information on setting up a WLAN refer to the [“Wireless Local Area Network \(Select Models Only\)”](#) section in this chapter.



The 802.11 wireless and Bluetooth devices have 2 power states:

- Enabled
- Disabled


You can enable and disable the wireless devices with the wireless button. When the wireless devices are enabled with the wireless button, you can use Wireless Assistant to turn on and off the devices individually. When the wireless devices are disabled, you must enable them before you can turn them on or off with Wireless Assistant.

To view the state of your wireless devices, place the cursor over the Wireless Assistant icon in the notification area, or open Wireless Assistant by double-clicking the icon in the notification area. Wireless Assistant displays the status of the devices as on, off, or disabled.

For more information about Wireless Assistant:

1. Open Wireless Assistant by double-clicking the icon in the notification area.
2. Select the **Help** button.

Turning On the Devices

If	And	Then
<ul style="list-style-type: none"> ■ Wireless Assistant shows that both WLAN and Bluetooth are off ■ Wireless light is off 	You want to turn on either or both devices	<ol style="list-style-type: none"> 1. Right-click the Wireless Assistant icon in the notification area. 2. Select the device or devices you want to turn on. <p> If the wireless devices are turned off, pressing the wireless button disables both devices. The button does not turn on the devices.</p>
<ul style="list-style-type: none"> ■ Wireless Assistant shows that both WLAN and Bluetooth are disabled* ■ Wireless light is off 	You want to turn on either or both devices	<ol style="list-style-type: none"> 1. Press the wireless button. (The devices return to their previous on or off state.) 2. If the wireless devices are turned off, right-click the Wireless Assistant icon in the notification area. 3. Select the device or devices you want to turn on.
<ul style="list-style-type: none"> ■ Wireless Assistant shows that one device is on and the other device is off ■ Wireless light is on 	You want to turn on either or both devices	<ol style="list-style-type: none"> 1. Right-click the Wireless Assistant icon in the notification area. 2. Select the device or devices you want to turn on.

*If the wireless devices are not both on when you disable the devices, pressing the wireless button again returns the devices to their previous on or off state. Pressing the button does not turn on both devices.



If you want your wireless devices to be turned on when you turn on your notebook, you must turn them on before you shut down or restart.

Turning Off and Disabling the Devices

If	And	Then
■ Wireless Assistant shows that both WLAN and Bluetooth are on	You want to disable both devices	Press the wireless button.
	You want to turn off either or both devices	<ol style="list-style-type: none">1. Right-click the Wireless Assistant icon in the notification area.2. Select the device or devices you want to turn off.
■ Wireless light is on		
■ Wireless Assistant shows that both WLAN and Bluetooth are off	You want to disable both devices	Press the wireless button.
■ Wireless light is off		
■ Wireless Assistant shows that one device is on and the other device is off*	You want to disable both devices	Press the wireless button.
	You want to turn off both devices.	<ol style="list-style-type: none">1. Right-click the Wireless Assistant icon in the notification area.2. Select the device or devices you want to turn off.
■ Wireless light is on		

*If the wireless devices are not both on when you disable the devices, pressing the wireless button again returns the devices to their previous on or off state. Pressing the button does not turn on both devices.

Security Features



Security solutions are designed to act as deterrents. These deterrents may not prevent a product from being mishandled or stolen.

The security features provided with the notebook can protect the notebook, personal information, and data from a variety of risks. Depending on your environment, some security features may be unnecessary. It is recommended that you follow the procedures in this chapter for using

- Antivirus software
- Windows updates
- Firewall software

In addition to the Windows operating system security measures, the following table may help you decide which other security features to use.

Most of these security features can be configured in the Setup utility. For more information, refer to “[Setup Utility](#),” in [Chapter 8](#).

To Protect Against	Use This Security Feature
Unauthorized use of the notebook	<ul style="list-style-type: none"> ■ Quick Lock ■ Power-on password*
Unauthorized access to the Setup utility (f10)	HP administrator password*
Unauthorized startup from a CD or a diskette	Device Security*
Unauthorized access to data	<ul style="list-style-type: none"> ■ HP administrator password ■ Firewall software ■ Windows updates
Unauthorized access to the BIOS settings and other system identification information	HP administrator password*
Unauthorized removal of the notebook	<p>Security cable slot (used with an optional security cable)</p> <p>For more information on the security cable slot, refer to the “Optional Security Cable” section in this chapter.</p>

*This security feature is configured in the Setup utility. The Setup utility is a non-Windows utility accessed by pressing **f10** when the notebook is started or restarted. The procedures for using the Setup utility to set specific security preferences are provided in this chapter. For information about displaying system information and using other Setup utilities, refer to “[Setup Utility](#)” in [Chapter 8](#).

Security Preferences in the Setup Utility

Most security preferences are set in Setup utility. Because the Setup utility is a non-Windows utility, it does not support the pointing devices on your notebook. When using the Setup utility, you must use the keys on your notebook to navigate and make selections.

For more details, refer to “[Setup Utility](#)” in [Chapter 8](#).

QuickLock

The **fn+f6** hotkey initiates the operating system QuickLock security feature.

QuickLock protects your notebook by displaying the operating system log-on screen. While the log-on screen is displayed, the notebook cannot be accessed until a Windows user password or Windows administrator password is entered.

Before you can use the QuickLock feature, you must set a Windows user password or Windows administrator password. For instructions, refer to the Help and Support Center by selecting **Start > Help and Support**.

- To initiate QuickLock, press **fn+f6**.
- To exit QuickLock, enter your Windows user password or Windows administrator password.

Passwords

Most security features use passwords. Whenever you set a password, write down the password and store it in a secure location away from the notebook.

- If you forget your power-on password and your HP administrator password, you cannot start up the notebook or restore from hibernation. Call Customer Care or your authorized service partner for additional information.
- If you forget your HP administrator password, you will not be able to access the Setup utility.

HP and Windows Passwords

HP security features and Windows operating system security features work independently from one another. For example, a device disabled in the Setup utility cannot be enabled in Windows.

Some password options are provided by your HP software, and others are provided by your operating system. HP passwords and Windows passwords are also independent of one another. The following table lists the different passwords used by HP and Windows and describes their functions. For additional information about Windows passwords, such as screen-saver passwords, refer to **Start > Help and Support**.

HP Passwords	Function
HP administrator password	Protects access to the Setup utility.
Power-on password	Used to access the notebook during startup and when you restart the notebook.
Windows Passwords	Function
Administrator password*	Protects Windows administrator-level access to notebook contents.
User password*	Protects access to a Windows user account. To protect access to notebook contents when the notebook is resumed from standby, you can set a password prompt to display. Refer to “Setting a Standby Password” in Chapter 3 .
*For information about setting a Windows administrator password or a Windows user password, select Start > Help and Support .	

HP and Windows Password Guidelines

HP and Windows passwords are not interchangeable. You must use an HP password at an HP password prompt and a Windows password at a Windows password prompt. For example:

- If a power-on password is set, the power-on password (not a Windows password) must be entered when the notebook starts up or restores from hibernation.
- If you set Windows to prompt for a password before resuming from standby, a Windows password (not a power-on password) must be entered to resume from standby.

The same word or series of letters or numbers used for an HP password can be used for another HP password or for a Windows password, with the following considerations:

- The text of HP passwords can be any combination of up to 8 letters and numbers and is not case sensitive.
- An HP password must be set and entered with the same type of keys. For example, an HP password set with keyboard number keys will not be recognized if it is entered with keypad number keys.

For information about the keypad, refer to [“Keypads”](#) in [Chapter 2](#).

Although you can use the same text for various passwords, HP passwords and Windows passwords function independently. Even if you plan to use the same text for an HP password and a Windows password, you must set the HP password in the Setup utility and the Windows password in your operating system.



Although their names are similar, an HP administrator password and a Windows administrator password have different functions. For example, a Windows administrator password cannot be used to access the Setup utility, and an HP administrator password cannot provide administrator-level access to your notebook contents. You can, however, use the same text for both passwords.

HP Administrator Password

The HP administrator password protects the configuration settings and system identification information in the Setup utility. After this password is set, it must be entered to access the Setup utility.

The HP administrator password

- Is not interchangeable with a Windows administrator password, although both can use the same word or series of letters, or numbers.
- Does not display as it is set, entered, changed, or deleted.
- Must be set and entered with the same type keys. For example, an HP administrator password set with keyboard number keys will not be recognized if you enter it with embedded numeric keypad number keys.
- Can include any combination of up to 8 letters and numbers and is not case sensitive.

Setting HP Administrator Passwords

An HP administrator password is set, changed, or deleted in the Setup utility.

To manage the password:

1. Shut down the notebook. If you are not sure whether the notebook is off or in hibernation, turn the notebook on by pressing the power/standby button, and then shut down the notebook through the operating system.
2. Be sure that the hard drive is inserted into the notebook (not into an optional docking device or external MultiBay).

3. Open the Setup utility by turning on or restarting the notebook. Press **f10** while Setup message is displayed in the lower-left corner of the screen.
4. Use the arrow keys to select **Security > Administrator Password**, and then press **enter**.
 - ❑ To set an HP administrator password, type your password in the **Enter New Password** and **Confirm New Password** fields, and then press **enter**.
 - ❑ To change an HP administrator password, type your current password in the **Enter Current Password** field, type the new password in the **Enter New Password** and **Confirm New Password** fields, and then press **enter**.
 - ❑ To delete an HP administrator password, type your current password in the **Enter Password** field, press **enter** 3 times, and then press **f10**.
5. To save your preferences and exit the Setup utility, press **f10**, and then follow the instructions on the screen.

Your preferences are set when you exit the Setup utility and take effect when the notebook restarts.

Entering HP Administrator Passwords

At the Enter SETUP Password prompt, type your HP administrator password with the same keys you used to set the password, and then press **enter**. After 3 unsuccessful attempts to enter the HP administrator password, you must restart the notebook and try again.

Power-On Passwords

A power-on password prevents unauthorized use of the notebook. After this password is set, it must be entered each time the notebook is turned on or restarted. A power-on password

- Does not display as it is set, entered, changed, or deleted.
- Must be set and entered with the same type keys. For example, a power-on password set with keyboard number keys will not be recognized if you enter it with embedded numeric keypad number keys.
- Can include any combination of up to 8 letters and numbers and is not case sensitive.

Setting Power-On Passwords

A power-on password is set, changed, or deleted in the Setup utility.

To manage the password:

1. Shut down the notebook. If you are not sure whether the notebook is off or in hibernation, turn the notebook on by pressing the power/standby button, and then shut down the notebook through the operating system.
2. Be sure that the hard drive is inserted into the notebook (not into an optional docking device or external MultiBay).
3. Open the Setup utility by turning on or restarting the notebook. Press **f10** while Setup message is displayed in the lower-left corner of the screen.

4. Use the arrow keys to select **Security > Power-On password**, and then press **enter**.
 - ❑ To set a power-on password, type the password in the **Enter New Password** and **Confirm New Password** fields, and then press **enter**.
 - ❑ To change a power-on password, type the current password in the **Enter Current Password** field, type the new password in the **Enter New Password** and **Confirm New Password** fields, and then press **enter**.
 - ❑ To delete a power-on password, type the current password in the **Enter Current Password** field, press **enter** 3 times, and then press **f10**.
5. To save your preferences and exit the Setup utility, press **f10**, and then follow the instructions on the screen.

Your preferences are set when you exit the Setup utility and take effect when the notebook restarts.

Entering Power-On Passwords

At the power-on password prompt, type your password, and then press **enter**. After 3 unsuccessful attempts to enter the password, you must restart the notebook and try again.

Device Security

From the Setup utility Device Security menu, you can disable the ability of the notebook to start from a CD or a diskette drive.

To disable or reenble notebook capabilities in the Setup utility:

1. Shut down the notebook. If you are not sure whether the notebook is off or in hibernation, turn the notebook on by pressing the power/standby button, and then shut down the notebook through the operating system.
2. Be sure that the hard drive is inserted into the notebook (not into an optional docking device or external MultiBay).
3. Open the Setup utility by turning on or restarting the notebook. Press **f10** while Setup message is displayed in the lower-left corner of the screen.
4. Select **Security > Device Security**, and then enter your preferences.
5. Use the arrow keys to select an item. Then:
 - ❑ To disable an item, press **f5** or **f6** to toggle the field for the item to **Disable**, and then press **enter**.
 - ❑ To reenble an item, press **f5** or **f6** to toggle the field for the item to **Enable**, and then press **enter**.
6. When a confirmation prompt with your preference selected is displayed, press **enter** to save your preference.
7. To save your preferences and exit the Setup utility, press **f10**, and then follow the instructions on the screen.

Your preferences are set when you exit the Setup utility and take effect when the notebook restarts.

Antivirus Software

When you use the notebook for e-mail, network, or Internet access, you expose the notebook to computer viruses. Computer viruses can disable your operating system, applications, or utilities or cause them to function abnormally.

Antivirus software can detect most viruses, destroy them, and in most cases, repair damage they have caused. To provide protection against newly discovered viruses, antivirus software must be updated.

Norton AntiVirus is preinstalled on the notebook. For information about using and updating the Norton AntiVirus software:

- » Select **Start > All Programs > Norton AntiVirus > Help and Support**.

For more information about computer viruses:

1. Select **Start > Help and Support**.
2. Type viruses into the **Search** field.
3. Press **enter**.

Critical Security Updates for Windows XP



CAUTION: Because new computer viruses are being detected all the time, it is recommended that you install all critical updates as soon as you receive an alert from Microsoft. You should also run Windows Update on a monthly basis to install the latest recommended updates from Microsoft.

A *Critical Security Updates for Windows XP* disc may have been included with your notebook to provide additional updates delivered after the computer was configured. Throughout the life of the computer, Microsoft will continue to update the operating system and make these updates available on their Web site.

To update your system using the *Critical Security Updates for Windows XP* disc:

1. Insert the disc into the drive. The disc automatically runs the installation application.
2. Follow the on-screen instructions to install all updates. This may take a few minutes.
3. Remove the disc.

Firewall Software

When you use the notebook for e-mail, network, or Internet access, it is possible for unauthorized persons to obtain information about you, your notebook, and your data. Firewalls monitor all incoming and outgoing traffic on your computer by including features such as logging and reporting, automatic alarms, and user interfaces for configuring the firewall. To protect your privacy, it is recommended that you use firewall software.

Your notebook comes with preinstalled firewall software. Refer to the online Help in the firewall software application for additional information.



Under some circumstances a firewall can block access to Internet games, interfere with printer or file sharing on a network, or block authorized e-mail attachments. To temporarily solve the problem, disable the firewall, perform the task that is interfering with the firewall, and then reenabling the firewall. To permanently resolve the problem, reconfigure the firewall.

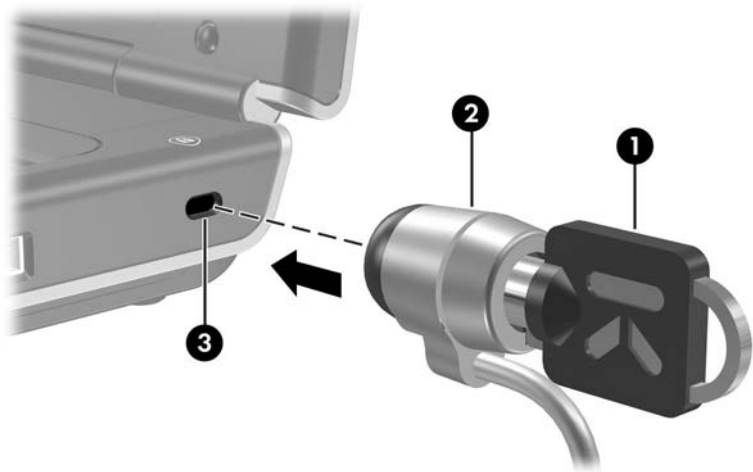
Optional Security Cable



Security solutions are designed to act as deterrents. These deterrents may not prevent a product from being mishandled or stolen.

To install a security cable:

1. Loop the security cable around a secured object.
2. Insert the key ❶ into the cable lock ❷.
3. Insert the cable lock into the security cable slot ❸, and then lock the cable lock with the key.



Hardware Upgrades and Replacements

Device Connections

Connecting Any Powered Device

To connect the notebook to an optional external device that has a power cord:

1. Be sure the device is turned off.
2. Connect the device to the jack or jack on the notebook specified by the device manufacturer.
3. Plug the device power cord into a grounded AC outlet.
4. Turn on the device.



If a properly connected monitor or other display device does not display an image, try pressing the **fn+f4** hotkey to switch the image to the new device.

To disconnect a powered external device from the notebook:

1. Turn off the device.
2. Disconnect the device from the notebook.

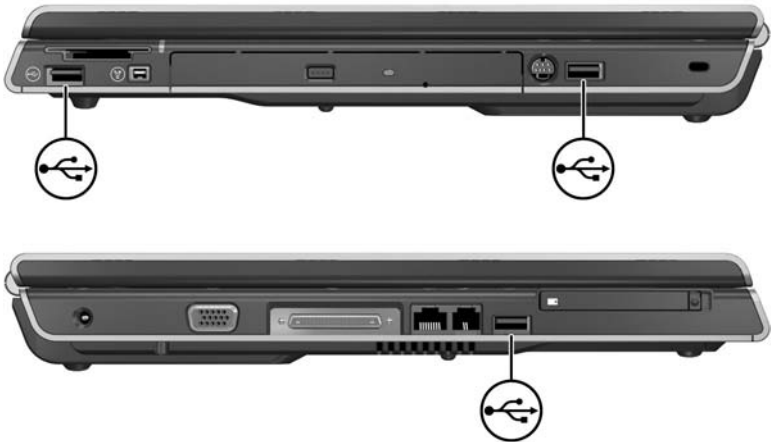
Connecting a USB Device

USB (Universal Serial Bus) is a hardware interface that can be used to connect an external device such as a USB keyboard, mouse, drive, printer, scanner, or hub to the notebook or an optional Expansion Base.

A hub is a connecting device that can be either powered or unpowered. USB hubs can be connected to a USB port on the notebook or to other USB hubs. Hubs support varying numbers of USB devices and are used to increase the number of USB devices in the system.

- Powered hubs must be connected to external power.
- Unpowered hubs must be connected either to a USB port on the notebook or to a port on a powered hub.

The 3 USB ports (select models only) on the notebook support USB 2.0-compliant, USB 1.1-compliant, and USB 1.0-compliant devices.



Connecting a 1394 Device (Select Models Only)

IEEE 1394 is a hardware interface that can be used to connect a high-speed multimedia or data storage device to the notebook. Scanners, digital cameras, and digital camcorders often require a 1394 connection.

You might have to load device-specific drivers and other software before using some 1394 devices. For information about device-specific software, refer to the device documentation or to the Web site of the device manufacturer or provider.

The notebook 1394 port, illustrated below, supports IEEE 1394a devices.



Connecting a Communication Device

For information about connecting and using the modem, refer to the modem guides on the *Notebook Documentation* CD. Basic instructions for connecting the modem and setting up Internet service with an Internet service provider (ISP) are also provided in the printed *Getting Started* guide included with your notebook.

For information about using an optional wireless device, visit <http://www.hp.com/go/wireless>.

For information about using the Network Service Boot to connect the notebook to a PXE (Preboot Execution Environment) server during startup, see the “[Using Advanced Setup Utility Features](#)” section in [Chapter 8, “Software Updates and Recoveries and System Software.”](#)

For more information about modem, wireless, and network connections, select **Start > Help and Support**. The Help and Support utility provides communication information that includes instructions, tutorials, and wizards that can help you set up or troubleshoot a variety of connections.

Modem, network, and wireless troubleshooting information is also provided in *Troubleshooting* on the *Notebook Documentation* CD.

Digital Memory Cards

The 6-in-1 Digital Media Reader (select models only) can support:

- Memory Stick and Memory Stick Pro
- xD-Picture Card
- MultiMediaCard
- SmartMedia (SM) card
- Secure Digital (SD) Memory Card

Digital memory cards are often used for digital storage on cameras, camcorders, and other handheld devices.

You can set the notebook to open the files on a digital memory card in ways you specify. For example, you could set a digital memory card to open with a slide show of the photographs it contains. For instructions, see the [“Setting AutoPlay Preferences”](#) section in [Chapter 4, “Multimedia.”](#)

The 6-in-1 Digital Media Reader light and the 6-in-1 Digital Media Reader slot described in the following sections are available only on models which include a 6-in-1 Digital Media Reader.

Using the 6-in-1 Digital Media Reader Light

The 6-in-1 Digital Media Reader light is turned on when an inserted digital memory card is being accessed. The 6-in-1 Digital Media Reader light is turned off when an inserted digital memory card is inactive or when the 6-in-1 Digital Media Reader slot is vacant.



Inserting a Digital Memory Card

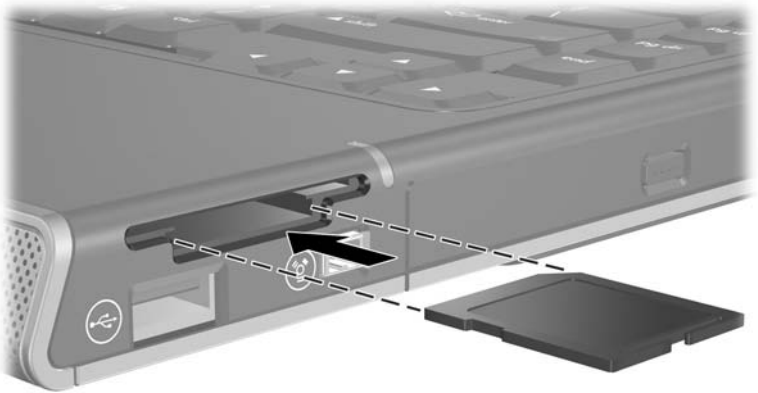


CAUTION: To prevent damage to digital memory card connectors:

- Use minimal force when inserting a digital memory card into the 6-in-1 Digital Media Reader slot.
- Do not move or transport the notebook while a digital memory card is inserted in the 6-in-1 Digital Media Reader slot.

To insert a digital memory card:

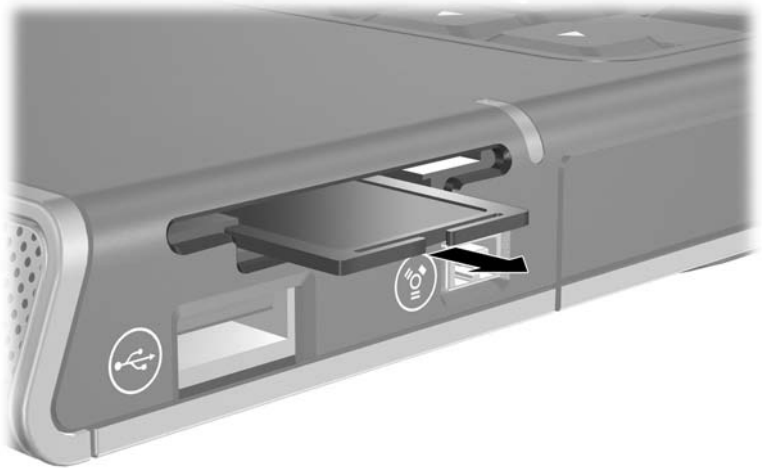
1. Hold the card label-side up with the connectors facing the notebook.
2. Gently slide the card into the 6-in-1 Digital Media Reader slot until the card is seated. (The card will extend outward slightly beyond the notebook.)



Removing a Digital Memory Card

To remove a digital memory card:

1. Close all applications and complete all activities that are using the card. (To stop a data transfer, select the **cancel** button in the Windows Copying window.)
2. Select the **My Computer** icon on the Windows Desktop.
3. Right-click the drive assigned to the card, and then select **Eject**. (The card is stopped but is not released from the 6-in-1 Digital Media Reader slot.)
4. Slide the card out of the slot.



PC Cards



CAUTION: To preserve support for all PC Cards, do not install all of the software or any of the enablers provided by a single PC Card manufacturer. If you are instructed by the documentation included with a PC Card to install device drivers:

- Install only the device drivers for your operating system.
 - Do not install other software, such as card services, socket services, or enablers, that might also be supplied by the PC Card manufacturer.
-

A PC Card is a credit card–sized accessory designed to conform to the standard specifications of the Personal Computer Memory Card International Association (PCMCIA). PC Cards can be used to add modem, sound, storage, wireless communication, or digital camera functions to the notebook.

The notebook PC Card slot supports one Type I or Type II 32-bit (CardBus) or 16-bit PC Card.

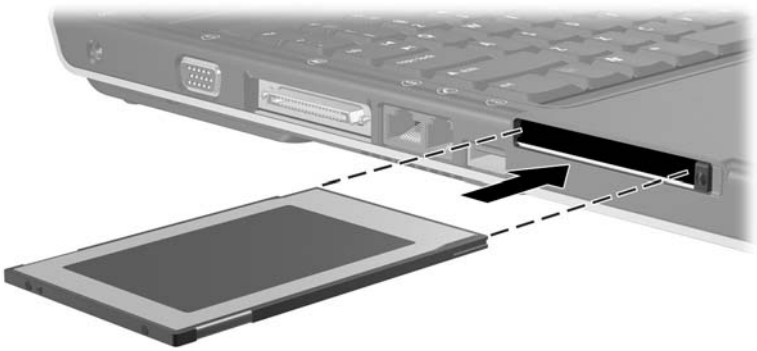
Inserting a PC Card



CAUTION: To prevent damage to the PC Card connectors:

- Use minimal force when inserting a PC Card into a PC Card slot.
 - Do not move or transport the notebook while a PC Card is inserted.
-

1. Hold the PC Card label-side up with the connectors facing the notebook.
2. Gently slide the card into the slot until the card is seated.



Stopping or Removing a PC Card



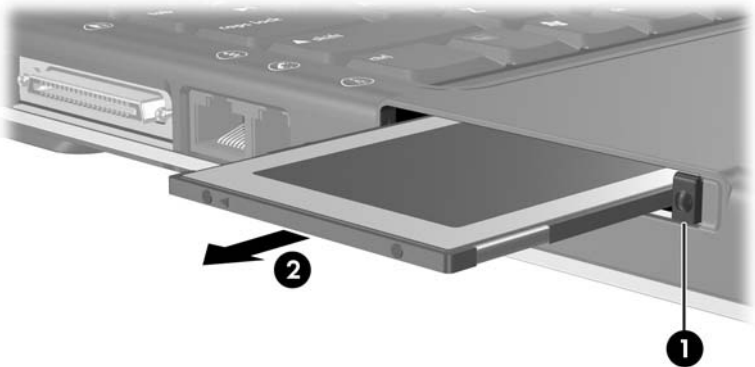
CAUTION: To prevent loss of work or an unresponsive system, stop a PC Card before removing it.



Stopping a PC Card, even if it is not in use, conserves power.

To stop or remove a PC Card:

1. Close all applications and complete all activities that are supported by the PC Card. Then
 - ❑ To stop the PC Card, select the **Safely Remove Hardware** icon in the notification area, and then select the **PC Card**. (To display the Safely Remove Hardware icon, right-click the taskbar, select **Properties**, clear the **Hide inactive icons** check box, and then select **OK**.)
 - ❑ To remove the PC Card, stop the PC Card as described above, and then proceed to step 2.
2. Press the PC Card eject button **1**. (You might need to press the button once to extend the button, and then press the button again to release the PC Card.)
3. Gently slide out the PC Card **2**.



Drives

Adding a Drive to the System

The internal hard drive and optical drive are standard features of the notebook. The type of optical drive varies by notebook model.

An optional drive can be added to the system by connecting it, as instructed in the drive documentation, to one of the USB ports or to the 1394 port. Hard drive capacity can also be added with a microdrive PC Card or a digital memory card such as a Secure Digital (SD) Memory Card.

Using the IDE Drive Light

Internal hard drive or optical drive activity is indicated by the IDE (Integrated Drive Electronics) light.



Caring for Drives



CAUTION: To prevent damage to the notebook or a drive and loss of work:

- Do not remove the internal hard drive except for repair or replacement. For instructions, see the “[Replacing the Internal Hard Drive](#)” section next in this chapter.
 - Electrostatic discharge can damage electronic components. To prevent electrostatic damage to the notebook or a drive, follow these 2 precautions: (1) Discharge yourself from static electricity before handling a drive by touching a grounded metal object and (2) Avoid touching the connectors on a drive. For more information about preventing electrostatic damage, refer to the “Electrostatic Discharge” chapter in *Regulatory and Safety Notices* on the *Notebook Documentation CD*.
 - Excessive force can damage drive connectors. When you insert a drive, use only enough force to seat the drive.
 - Handle a drive carefully. Do not drop it.
 - Avoid exposing a hard drive or a diskette to devices with magnetic fields. Products with magnetic fields include video and audio tape erasure products, monitors, and speakers. Security devices with magnetic fields include airport walk-through devices and security wands. The airport security devices that check carry-on luggage, usually while it is placed on a conveyor belt, use x-rays instead of magnetism and will not damage a hard drive or a diskette.
 - Do not spray a drive with cleaners.
 - Avoid exposing a drive to liquids or temperature extremes.
 - If you mail a drive, ship it in packaging that protects it from shock, vibration, extreme temperatures, and high humidity. Label the package “FRAGILE.”
-

Replacing the Internal Hard Drive

The hard drive in the hard drive bay is the internal hard drive. Remove the internal hard drive only for repair or replacement.



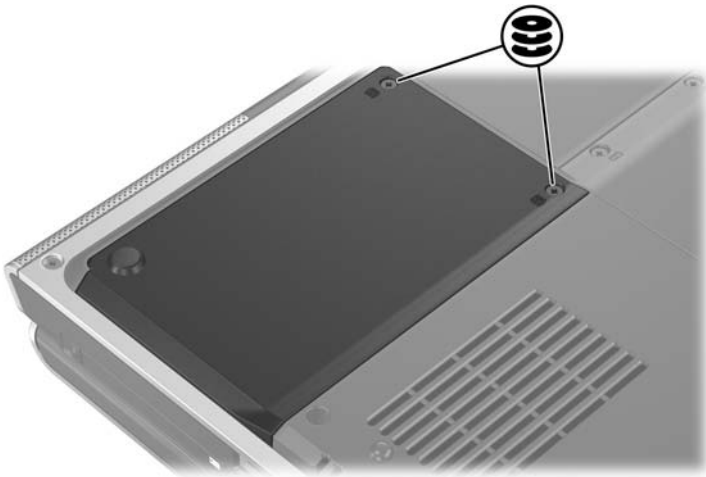
CAUTION: To prevent an unresponsive system and loss of work, do not begin this procedure until you

- Save your work, close all open applications, and shut down the notebook. If you are unsure whether the notebook is off or in hibernation, turn the notebook on and then shut it down through the operating system.
- Disconnect all external devices connected to the notebook.
- Disconnect the notebook from external power and remove the battery pack.

For battery pack removal instructions, see the [“Replacing a Battery Pack”](#) section in [Chapter 3, “Power.”](#)

To replace the internal hard drive:

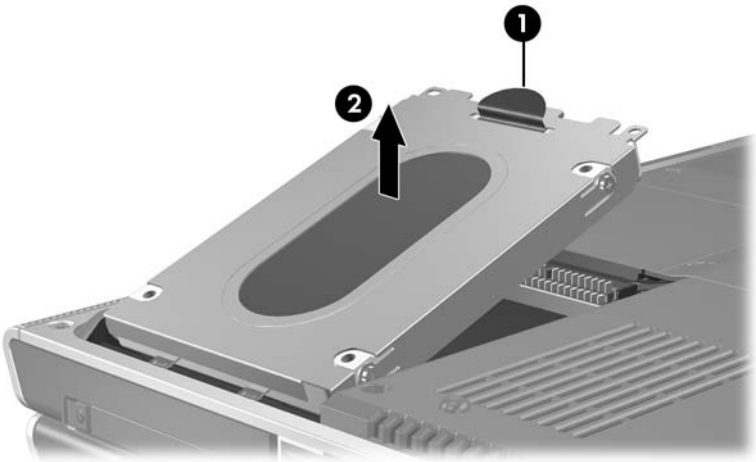
1. Turn the notebook upside down.
2. Loosen the 2 hard drive security screws.



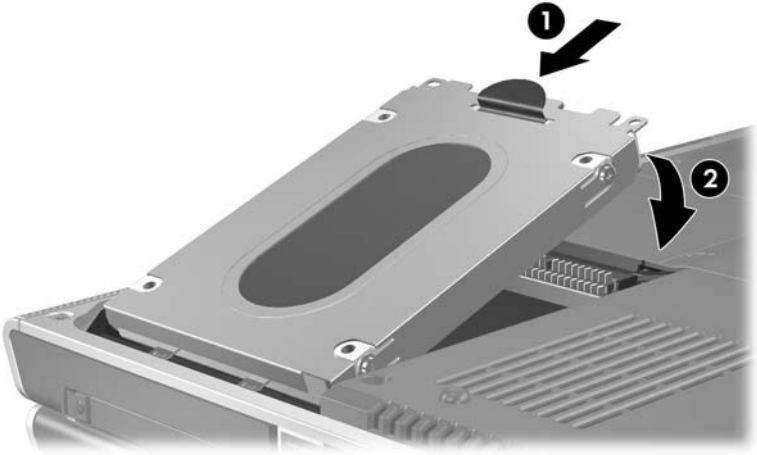
3. To remove the hard drive cover and expose the hard drive tab, lift the cover **1** upward and away from the notebook **2**.



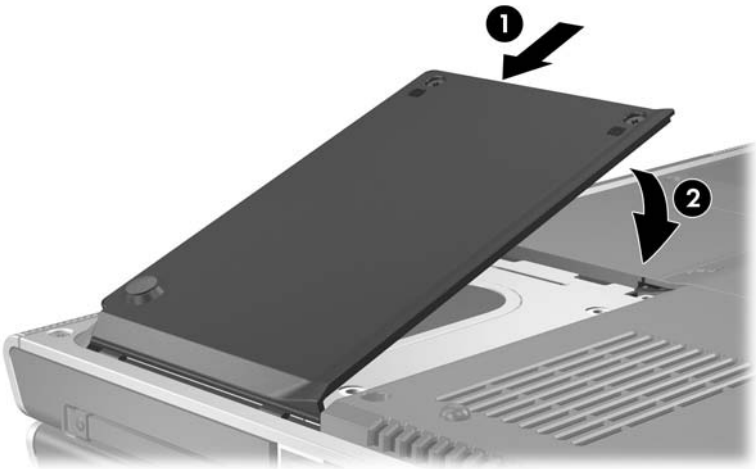
4. To remove the hard drive, pull upward on the hard drive tab **1** to release the hard drive, and then lift the hard drive **2** out of the hard drive bay.



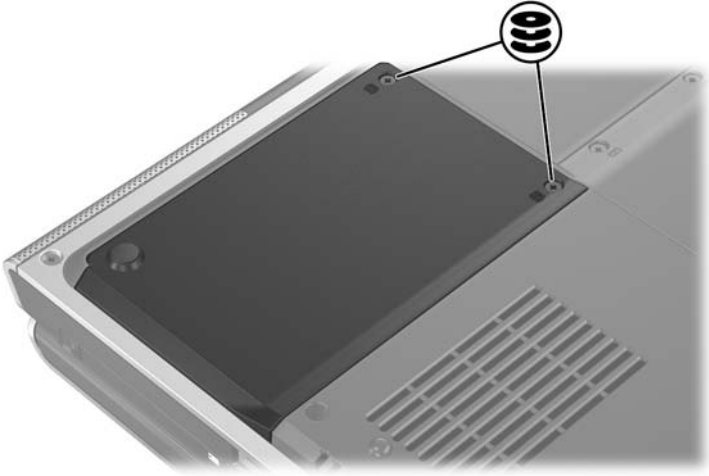
5. To insert the replacement hard drive, tilt the connector edge of the hard drive ❶ downward, and then lower the hard drive into the hard drive bay until it is seated ❷.



6. Replace the hard drive cover.
 - a. Place the cover over the hard drive bay.
 - b. Slide the cover ❶ slightly toward the right side of the notebook until the cover is seated ❷.



7. Tighten the 2 hard drive security screws.



Memory

The notebook has 2 memory slots. Depending on your notebook model, either one or both memory slots might contain a replaceable memory module.

Increasing Memory

You can increase the amount of RAM (random access memory) in the notebook by adding memory modules to vacant memory slots or by replacing installed memory modules.

When RAM is increased, the operating system increases the hard drive space reserved for the hibernation file. Before you increase RAM, it is recommended that you verify that your hard drive has enough free space for the larger hibernation file.

- To display the amount of RAM in the system:

Select **Start > Help and Support**.

- To display both the amount of free space on your hard drive and the amount of space required by the hibernation file:

Select **Start > Control Panel > Performance and Maintenance > Power Options > Hibernate** tab.

Removing or Inserting a Memory Module



WARNING: To prevent exposure to electrical shock, access only the memory compartment during this procedure. The memory compartment, the battery bay, and the hard drive bay are the only user-accessible internal compartments on the notebook. All other areas that require a tool to access should be opened only by a service partner.



WARNING: To prevent exposure to electrical shock and damage to the notebook, shut down the notebook, unplug the power cord, and remove the battery pack before installing a memory module.

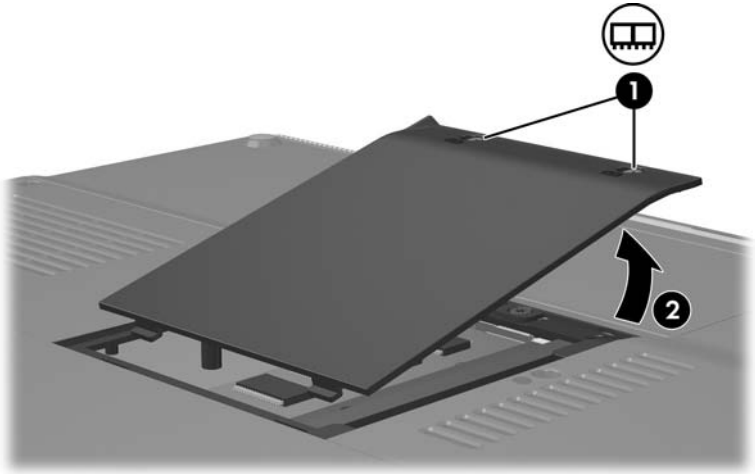


CAUTION: To prevent electrostatic discharge from damaging electronic components: before beginning this procedure, discharge yourself of static electricity by touching a grounded metal object. For more information about preventing electrostatic damage, refer to the “Electrostatic Discharge” chapter in *Regulatory and Safety Notices* on the *Notebook Documentation CD*.

1. Save your work and close all open applications.
2. Shut down the notebook.
If you are unsure whether the notebook is off or in hibernation, turn the notebook on and then shut it down through the operating system.
3. Disconnect all external devices connected to the notebook.
4. Disconnect the notebook from external power.
5. Remove the battery pack.

For instructions, see the [“Replacing a Battery Pack”](#) section in [Chapter 3, “Power.”](#)

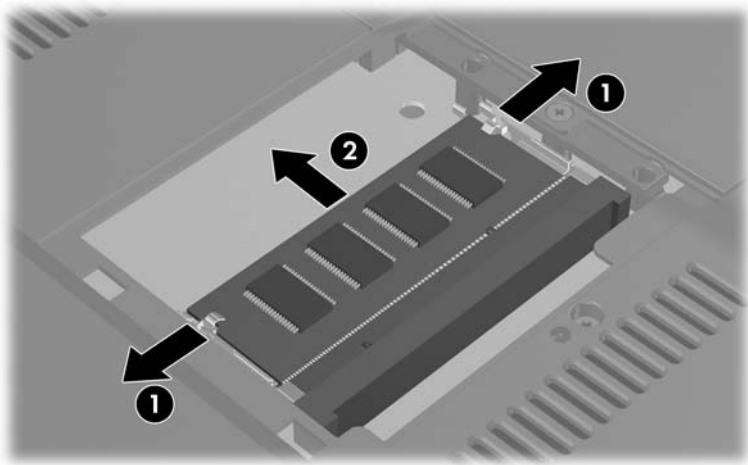
6. Turn the notebook upside down.
7. Loosen the 2 memory compartment screws **1**, and then lift up and remove the memory compartment cover **2**.



8. Remove a memory module.

To remove a memory module:

- a. Pull away the retention clips on each side of the module ❶. (The module tilts upward.)
- b. Grasp the edges of the module and gently pull the module out of the memory slot ❷.
- c. To protect a memory module after removal, place it in an electrostatic-safe container.

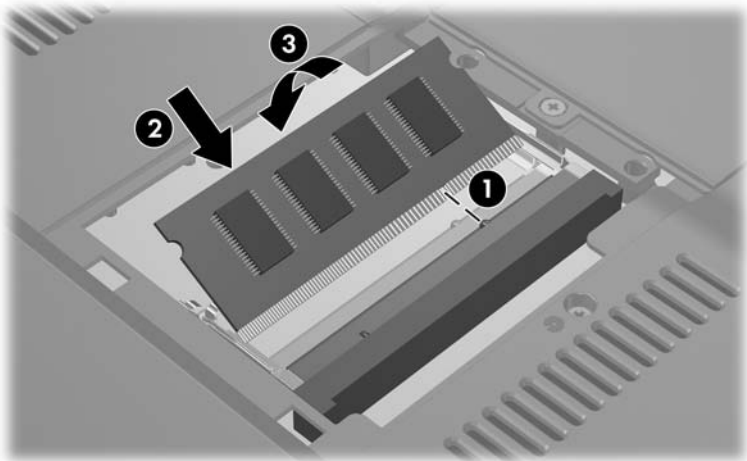


To insert a memory module:

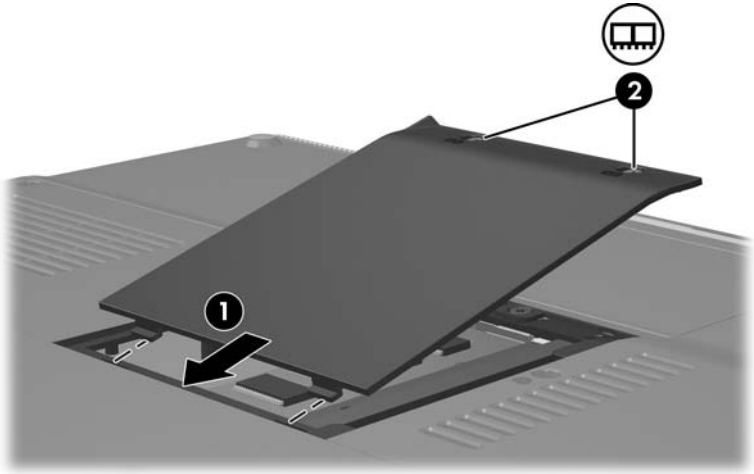
- a. Align the keyed (notched) edge of the module with the keyed area in the memory slot **1**.

If you are inserting a single memory module into a vacant memory compartment, insert the module into the right slot. (The following illustration shows a memory module being inserted into the right slot of a memory compartment that contains a second memory module.)

- b. With the module at a 45-degree angle from the surface of the memory compartment, press the module into the memory slot until it is seated **2**.
- c. Push the module downward until the retention clips snap into place **3**.



9. To close the memory compartment, align the tabs on the memory compartment cover with the cover slots on the notebook, and then slide the cover over the memory compartment until it is seated ❶.
10. Tighten the 2 memory compartment screws ❷.



11. Replace the battery pack, reconnect the notebook to external power, and then restart the notebook.

Software Updates and Recoveries and System Software

Software Updates

For optimal notebook performance and to make sure your notebook remains compatible with changing technologies, install the latest versions of the software provided with your notebook as they become available.

As with any other software modification, it is strongly recommended that you set a restore point before beginning a software update. For instructions, see “[Using System Restore](#)” later in this chapter.

You might find that the easiest way to update the software provided with your notebook is to use the software update links provided at **Start > Help and Support**.

If you prefer to work from more detailed instructions, the supplementary information in the following sections might help you to

- Prepare for any update by identifying your notebook category, product name, product number, and serial number.
- Prepare for a ROM (read-only memory) update by identifying the ROM version currently installed on the notebook.
- Access updates at the <http://www.hp.com/support> Web site.
- Download and install updates.

Preparing for a Software Update

If your notebook connects to a network, consult with your network administrator before installing any software updates, particularly a ROM update.

Accessing Notebook Product Information

To access the updates for your notebook, you might need the following information:

- The product category is Notebook.
- The product name, product number (P/N), and serial number (S/N) are provided on the Service Tag. The information on the Service Tag is provided at **Start > Help and Support**, and on the Service Tag label affixed to the bottom of the notebook.

Accessing Notebook ROM Information

To determine whether an available ROM update is a later ROM version than the ROM version currently installed on the notebook, you need to know the version of the currently installed ROM.

- » To display ROM information from within Windows, press the **fn+esc** hotkey. In the fn+esc display, the version of the system ROM is displayed as the BIOS (basic input-output system) date. On some notebook models, the BIOS date is displayed in decimal format. To clear the display, press **esc**.

ROM information can also be displayed in the Setup utility. The procedure for displaying ROM information is described in this section. For more information about using the Setup utility, see the “[Setup Utility](#)” section later in this chapter.

To display ROM information in the Setup utility:

1. To open the Setup utility, turn on or restart the notebook in Windows, and then press **f10** while the prompt “Press <F10> to enter setup” is displayed in the lower left corner of the screen.
2. If the Setup utility does not open with system information displayed, use the arrow keys to select the **Main** menu. (When the Main menu is selected, ROM and other system information is displayed.)
3. To close the Setup utility without changing any settings, use the arrow keys to select the **Exit menu > Exit Discarding Changes**, and then press **enter**. (The notebook restarts in Windows.)

Downloading and Installing an Update

Most software at the <http://www.hp.com/support> Web site is packaged in compressed files called *SoftPaqs*. Some ROM updates might be packaged in compressed files called *ROMPaqs*.

Most download packages contain a file named Readme.txt. A Readme.txt file contains detailed descriptive, installation, and troubleshooting information about the download. The Readme.txt files included with ROMPaqs are in English only.

The following sections provide instructions for downloading and installing

- A ROM update.
- A SoftPaq containing an update other than a ROM update; for example, an application update.

Downloading and Installing a ROM Update



CAUTION: To prevent serious damage to the notebook or an unsuccessful installation, download and install a ROM update only while the notebook is connected to reliable external power using the AC adapter. (Do not download or install a ROM update while the notebook is docked in an optional Expansion Base or running on battery power.) During the download and installation:

- Do not unplug the notebook from the AC outlet.
- Do not shut down the notebook or initiate standby or hibernation.
- Do not insert, remove, connect, or disconnect any device, cable, or cord.

Downloading a ROM Update:

1. Access the page at the <http://www.hp.com/support> Web site that provides software for your notebook.
2. Select **Start > Help and Support**, and then select a software update link.
3. Follow the instructions on the screen to identify your notebook and access the ROM update you want to download.
4. At the download area:
 - a. Record the date, name, or other identifier of any ROM update that is later than the ROM currently installed on your notebook. (You might need this information to locate the update later, after it has been downloaded to the hard drive.)
 - b. Record the path to the default or custom location on the hard drive to which the ROM package will download. (You might need to access the ROM package after it has been downloaded.)
 - c. Follow the online instructions to download your selection to the hard drive.

Installing a ROM Update

ROM installation procedures vary. Follow any instructions that are displayed on the screen after the download is complete. If no instructions are displayed:

1. Open Windows Explorer. To open Windows Explorer from the **Start** button, select **Start > All Programs > Accessories > Windows Explorer**.
2. In the left pane of the Windows Explorer window, select **My Computer >** your hard drive designation. (The hard drive designation is typically Local Disk C.) Then follow the path you recorded earlier to the folder on your hard drive containing the update.
3. To begin the installation, open the folder, and then double-click the file with an .exe extension—for example, Filename.exe. (The ROM update installation begins.)
4. To complete the installation, follow the instructions on the screen.



After a message on the screen reports a successful installation, you can delete the downloaded file from the destination folder.

Downloading and Installing a Non-ROM SoftPak

To update software other than the ROM:

1. Access the page at the <http://www.hp.com/support> Web site that provides software for your notebook.
2. Select **Start > Help and Support**, and then select a software update link.
3. Follow the instructions on the screen to identify your notebook and access the SoftPak you want to download.

4. At the download area:
 - a. Write down the date, name, or other identifier of the SoftPak you plan to download. (You might need this information to locate the update later, after it has been downloaded to the hard drive.)
 - b. Follow the online instructions to download the SoftPak to the hard drive.
5. When the download is complete, open Windows Explorer. To open Windows Explorer from the Start button, select **Start > All Programs > Accessories > Windows Explorer**.
6. In the left pane of the Windows Explorer window, select **My Computer > your hard drive designation** (which is typically Local Disk C) **> SWSetup**.

The destination folder for most downloads from the <http://www.hp.com/support> Web site is the SWSetup folder. If you don't see the download in the SWSetup folder, look in the My Documents folder.
7. In the destination folder, select the name or number of the software package you have downloaded.
8. Select the file that includes an .exe extension—for example, Filename.exe. (The installation begins.)
9. To complete the installation, follow the instructions on the screen.



After a message on the screen reports a successful installation, you can delete the downloaded file from the destination folder.

Software Recoveries

Using System Restore

System Restore is an operating system feature that enables you to undo harmful changes to your notebook software by restoring your software to an earlier time, called a *restore point*, when your software was functioning optimally.

Restore points are restorable, benchmark “snapshots” of your application, driver, and operating system files. The notebook sets restore points at regular intervals and might set additional restore points whenever you change your personal settings or add software or hardware.

Manually setting additional restore points provides additional protection for your system files and settings. It is recommended that you manually set restore points

- Before you add or extensively modify software or hardware.
- Periodically, whenever the system is performing optimally.

Restoring to any restore point does not affect your data files. For example, restoring your system software to an earlier time will not affect documents or e-mails that you saved after that time. All System Restore procedures are reversible.

Setting a Restore Point

To set a system restore point manually:

1. Select **Start > Help and Support > System Restore**.
2. Select **Create a restore point**, and then follow the instructions on the screen.

Restoring to a Restore Point

To restore the notebook to a restore point:

1. Make sure the notebook is connected to reliable external power through the AC adapter.
2. Select **Start > Help and Support > System Restore**.
3. Select **Restore my computer to an earlier time**, and then follow the instructions on the screen.

Repairing or Reinstalling Software

If it ever becomes necessary to repair or reinstall your device drivers, an application, or your operating system, refer to Appendix B, “System Restore,” in the *Getting Started* guide.

Quick Launch Buttons Control Panel

You can use the Quick Launch Buttons control panel to

- Set preferences for the display of the **Quick Launch Buttons** icon.
- Change the size and arrangement of icons and text on your Windows desktop.
- Display hotkeys information.
- Set button assignments for the Easy Access buttons on an optional external keyboard.

The following sections provide instructions for setting preferences within the control panel. For additional onscreen information about any item on the control panel, select the help button in the upper-right corner of the window. The help button is identified with a question mark icon.

Accessing the Quick Launch Buttons Control Panel

You can access the Quick Launch Buttons control panel from the Start button or from an icon that you can display in the notification area or Windows desktop.

- » To access the Quick Launch Buttons control panel from the Start button, select **Start > Control Panel > Quick Launch Buttons**.

Setting Windows Desktop Icon Display Preferences

To change the size of the icons on your desktop and of the text displayed with them:

1. Open the Quick Launch Buttons control panel:
 - Select **Start > Control Panel > Quick Launch Buttons**.
 - or -
 - Select the **Quick Launch Buttons** icon in the notification area or Windows desktop.
2. Select the **Zoom** tab.
3. Adjust the slider toward the left and right until your icon display preference is displayed in the illustration above the slider.
4. To save your preference and close the display, select **OK**.

If you select a very large icon display and have set your operating system to Auto Arrange the icons on your Windows desktop, the icons might overlap.

To clear the Auto Arrange setting:

1. Right-click an open area on your Windows desktop.
2. Select **Arrange Icons By**.
3. Select **Auto Arrange** to remove the check and disable Auto Arrange.

Displaying the Quick Launch Buttons Icon

To show or hide the Quick Launch Buttons Properties icon in the notification area or your Windows desktop:

1. Open the Quick Launch Buttons control panel:
 - Select **Start > Control Panel > Quick Launch Buttons**.
 - or -
 - Select the **Quick Launch Buttons** icon in the notification area or Windows desktop.
2. Select the **Advanced** tab. On the Advanced tab you can
 - Display or hide the **Quick Launch Buttons** icon in the notification area.
 - ◆ To display the icon, select the **Show icon on the taskbar** check box.
 - ◆ To hide the icon, clear the **Show icon on the taskbar** check box.
 - Display or hide the **Quick Launch Buttons** icon on your Windows desktop.
 - ◆ To display the icon, select the **Show icon on the desktop** check box.
 - ◆ To hide the icon, clear the **Show icon on the desktop** check box.
3. To save your preferences and close the display, select **OK**.

Displaying Hotkey Information

A hotkey is a preset combination of the **fn** key and another key, such as a function key (**f1** through **f12**) or the **esc** key.

To display information about the hotkey functions available on your notebook:

1. Open the Quick Launch Buttons control panel:
 - ❑ Select **Start > Control Panel > Quick Launch Buttons**.
 - or -
 - ❑ Select the **Quick Launch Buttons** icon in the notification area or Windows desktop.
2. Select the **Function Keys** tab.
3. To close the display, select **OK**.

For more information about hotkeys, see the “[Hotkeys](#)” section in [Chapter 2, “TouchPad and Keyboard.”](#)

Setting Button Assignments on an External Keyboard

If you are using an optional external keyboard that features Easy Access buttons, you can set Easy Access button assignments and schemes on the Settings tab.

The Settings tab is disabled and hidden by default. To display and enable the Settings tab in the Quick Launch Buttons control panel:

1. Open the Quick Launch Buttons control panel:
 - Select **Start > Control Panel > Quick Launch Buttons**.
 - or -
 - Select the **Quick Launch Buttons** icon in the notification area or Windows desktop.
2. Select the **Advanced** tab. Then
 - To display and enable the Settings tab, select the check box for **Allow users to modify button assignments on external keyboard**.
 - To disable and hide the Settings tab, clear the check box for **Allow users to modify button assignments on external keyboard**.
3. To save your preferences and close the display, select **OK**.

For information about managing Easy Access button assignments and schemes, refer to your keyboard documentation.

Setup Utility

The Setup utility is a ROM-based information and customization utility that can be used even when your operating system is not working or will not load.

The utility reports information about the notebook and provides settings for startup, security, and other preferences.

Step-by-step instructions for setting specific preferences are included by topic earlier in this guide. For example, procedures for setting password and other security preferences are provided in [Chapter 6, “Security.”](#)

Opening the Setup Utility

To open the Setup Utility:

1. Turn on or restart the notebook in Windows.
2. Before Windows opens and while the “Press <F10> to enter setup” prompt is displayed in the lower left corner of the screen, press **F10**.

Changing the Language of the Setup Utility

The following procedure explains how to change the language of the Setup utility. If the notebook is not in the Setup utility, begin at step 1. If the notebook is in the Setup utility, begin at step 2.

1. To open the Setup utility, turn on or restart the notebook in Windows, and then press **f10** while the prompt “Press <F10> to enter setup” is displayed in the lower left corner of the screen.
2. Use the arrow keys to select the **Advanced** menu.
3. Press **f5** or **f6** (or use the arrow keys) to select a language, and then press **enter**.
4. When a confirmation prompt with your preference selected is displayed, press **enter** to save your preference.
5. To set your preferences and exit the Setup utility, press **f10**, and then follow the instructions on the screen.

Your preferences are in effect when the notebook restarts in Windows.

Navigating and Selecting in the Setup Utility

Because the Setup utility is not Windows-based, it does not support the TouchPad. Navigation and selection are by keystroke.

- To choose a menu or a menu item, use the arrow keys.
- To choose an item in a drop-down list or to toggle a field, for example an Enable/Disable field, use either the arrow keys or **f5** or **f6**.
- To select an item, press **enter**.
- To close a text box or return to the menu display, press **esc**.

To display additional navigation and selection information while the Setup utility is open, press **f1**.

Displaying System Information

The following procedure explains how to display system information in the Setup utility. If the Setup utility is not open, begin at step 1. If the Setup utility is open, begin at step 2.

1. To open the Setup utility, turn on or restart the notebook in Windows, and then press **F10** while the prompt “Press <F10> to enter setup” is displayed in the lower left corner of the screen.
2. Access the system information on the **Main** and **Advanced** menus.
 - ❑ To display most of the system information available in the Setup utility, use the arrow keys to select the **Main** menu.
 - ❑ To display video memory information, use the arrow keys to select the **Advanced** menu.
3. To close the Setup utility without changing any settings, use the arrow keys to select the **Exit** menu > **Exit Discarding Changes**, and then press **enter**. (The notebook restarts in Windows.)

Restoring Default Settings in the Setup Utility

The following procedure explains how to restore the Setup utility default settings. If the notebook is not in the Setup utility, begin at step 1. If the notebook is in the Setup utility, begin at step 2.

1. To open the Setup utility, turn on or restart the notebook in Windows, and then press **f10** while the prompt “Press <F10> to enter setup” is displayed in the lower left corner of the screen.
2. Press **f10**.
3. When the Setup Confirmation is displayed, press **enter** to save your preferences.
4. To set your preferences and exit the Setup utility, press **f10**, and then follow the instructions on the screen.

The Setup utility default settings are set when you exit the Setup utility and are in effect when the notebook restarts. Identification information, including ROM version information, is retained.

Using Advanced Setup Utility Features

This guide describes the Setup utility features recommended for all users. For more information about the Setup utility features recommended for advanced users only, refer to the Help and Support Center by selecting **Start > Help and Support**.

The Setup utility features available for advanced users include a hard drive self-test, a Network Service Boot, and settings for boot order preferences.

The “<F12> to boot from LAN” message that is displayed in the lower-left corner of the screen each time the notebook is started or restarted in Windows or restored from hibernation is the prompt for a Network Service Boot.

The “Press <ESC> to change boot order” message that is displayed in the lower-left corner of the screen each time the notebook is started or restarted in Windows or restored from hibernation is the prompt to change the boot order.

Closing the Setup Utility

You can close the Setup utility with or without saving changes.

- To close the Setup utility and save your changes from the current session, use either of the following procedures:
 - Press **f10**, and then follow the instructions on the screen.

- or -

- If the Setup utility menus are not visible, press **esc** to return to the menu display. Then use arrow keys to select the **Exit** menu > **Exit Saving Changes**, and then press **enter**.

When you use the **f10** procedure, you are offered an option to return to the Setup utility. When you use the Exit Saving Changes procedure, the Setup utility closes when you press **enter**.

- To close the Setup utility without saving your changes from the current session:

If the Setup utility menus are not visible, press **esc** to return to the menu display. Then use arrow keys to select the **Exit** menu > **Exit Discarding Changes**, and then press **enter**.

After the Setup utility closes, the notebook restarts in Windows.

Specifications

Operating Environment

The operating environment information in the following table might be helpful if you plan to use or transport the notebook in extreme environments.

Factor	Metric	U.S.
Temperature		
Operating	10°C to 35°C	50°F to 95°F
Nonoperating	-20°C to 60°C	-4°F to 140°F
Relative humidity (noncondensing)		
Operating	10% to 90%	10% to 90%
Nonoperating	5% to 95%	5% to 95%
Maximum altitude (unpressurized)		
Operating	-15 m to 3,048 m	-50 ft to 10,000 ft
Nonoperating	-15 m to 12,192 m	-50 ft to 40,000 ft

Rated Input Power

The power information in this section might be helpful if you plan to travel internationally with the notebook.

The notebook operates on DC power, which can be supplied by an AC or a DC power source. Although the notebook can be powered from a stand-alone DC power source, it is strongly that the notebook be powered only with an AC adapter or DC power cord supplied with or approved for an HP notebook.

The notebook is capable of accepting DC power within the following specifications.

Input Power	Rating
Operating voltage	18.5V dc @ 3.5 A - 65 W
Operating current	3.5 A

This product is designed for IT power systems in Norway with phase-to-phase voltage not exceeding 230 Vrms.

Expansion Port Input/Output Signals

The expansion port signal information in this section might be helpful if you plan to use an optional expansion product that connects to the expansion port on your notebook.

This port is illustrated in the “[Left-Side Components](#)” section of [Chapter 1, “Hardware.”](#)

Optional expansion products that connect to the notebook through the expansion port might include an Expansion Base or an HP xc2000 Notebook All-in-One Media Cable.

The following table identifies the input and output signals supported by the expansion port on your notebook.

Feature	Support
USB 2.0	Yes
10/100 Ethernet	Yes
Gigabit Ethernet	No
IEEE 1394 (4-pin port)	Yes
Consumer IR (for optional remote control only)	Yes
Power inputs	65 W
Composite TV	Yes
S-Video TV	Yes
Component TV	No
S/PDIF audio	Yes
DVI	No
Headphone/speaker audio-out	Yes
Microphone audio-in	Yes

Index

1394 port 1–15, 7–3
6-in-1 Digital Media Reader
light 1–15
6-in-1 Digital Media Reader
slot 1–15, 7–5

A

AC adapter 1–19
AC power vs. battery power
3–1
administrator password 6–5
airport security devices 7–13
altitude specifications A–1
antennae 1–8
antivirus software 6–13
application recovery disc 1–20
applications key, Windows
1–2
applications, reinstalling or
repairing 1–20
applications. *See* software
audio-in (microphone) jack
1–11, 4–4
audio-out (headphone) jack
1–11, 4–3
Auto/Air/AC Adapter 3–2,
3–14

Automobile Power
Adapter/Charger 3–2, 3–14
AutoPlay 4–10

B

base, docking. *See* Expansion
Base
battery bay 1–18, 1–21
battery light
displaying charge status
3–15, 3–17
identifying 1–10, 3–4
battery pack
battery power vs. AC
power 3–1
calibrating 3–19
charging 3–14
conserving power 3–23
diagnostic information
8–16
disposing of 3–27
inserting 3–26
low-battery conditions
3–17
monitoring charge 3–15
removing 3–25
storing 3–27

battery pack release latch
1-18, 3-25

bays

battery 1-18, 1-21
hard drive 1-18

See also compartments

BIOS information, displaying
6-2, 8-2

Bluetooth device, wireless
light 1-6, 1-9

Bluetooth label 1-21

boot order 8-18

buttons

display release 1-11
Easy Access 8-13
mute 1-7, 4-2
PC Card eject 1-14, 7-11
power 1-4, 3-8, 3-12
TouchPad 1-3
volume 1-7, 4-2
wireless 1-6, 1-7
See also battery pack
release latch; display
switch; keys

C

cable lock, security 6-16

cables

audio 4-5
HP xc2000 Notebook
All-in-One Media Cable
2-9
modem 1-19
network 1-13
S-Video 4-5
See also power cord

calibration, battery 3-19

camcorder

connecting 7-3
digital memory cards 7-5

camera

connecting 7-3
digital memory cards 7-5

caps lock light 1-5

card and socket services,
PC Card 7-9

card. *See* digital memory
cards; memory; PC Card

category view, Windows XP
2-3

CDs

audio, hotkeys 4-9
copying 4-12
copyright warning 4-12
creating 4-12
inserting, removing 4-8
multimedia applications
4-16
playing 4-9, 4-11, 4-15
setting AutoPlay
preferences 4-10
writing to 4-12
See also recovery discs

Certificate of Authenticity
label 1-21

classic view, Windows 2-3

Compaq administrator
password 6-5

compartments

memory 1-17, 7-19
Mini PCI 1-17
See also bays

- composite video 2–9
- Computer Setup, setting security preferences 6–3
- connectors
 - drive 7–13
 - power 1–13
 - See also* jacks; ports
- conservation, power 3–23
- cord, power
 - identifying 1–19
 - See also* cables
- country-specific modem adapter 1–19
- critical low-battery condition 3–17
- D**
- default settings, restoring Setup utility 8–17
- desktop, Windows, setting icon display preferences 8–10
- device disabling 6–12
- device security 6–12
- device, connecting powered 7–1
- digital memory cards
 - 6-in-1 Digital Media Reader 7–5
 - inserting 7–7
 - removing 7–8
 - setting AutoPlay preferences 4–10
 - types supported 7–5
- disc, optical. *See* CDs; DVDs
- diskette
 - affected by airport security 7–13
 - protecting playback 3–7
- display release button 1–11
- display switch
 - identifying 1–4, 3–4
 - setting preferences 3–12
- display, internal
 - controlling brightness 2–11
 - switching image 2–9
- driver recovery disc 1–20
- drivers, reinstalling or repairing 1–20
- drives
 - adding to system 7–12
 - affected by airport security 7–13
 - avoiding standby and hibernation while using discs, diskettes 3–7, 4–11
 - boot order 8–18
 - caring for 7–13
 - IDE drive light 7–12
 - shipping 7–13
 - USB 7–2
 - See also* CDs; DVDs; hard drive
- DVDs
 - changing regional settings 4–13
 - creating 4–17
 - hotkeys 4–9
 - inserting, removing 4–8
 - multimedia applications 4–16

- playing 4–9, 4–11, 4–15
- setting AutoPlay
 - preferences 4–10
- writing to 4–12
- See* recovery discs

E

- Easy Access buttons 8–13
- eject buttons
 - optical drive 4–8
 - PC Card 7–11
- electrostatic discharge (ESD)
 - 7–13, 7–20
- emergency shutdown
 - procedures 3–11
- enablers, PC Card 7–9
- environmental specifications
 - A–1, A–2
- ESD (electrostatic discharge)
 - 7–13, 7–20
- exhaust vent 1–12, 1–18
- Expansion Base
 - as power source 3–2
 - docking, undocking while
 - using disc, diskette 4–11
 - expansion port on notebook
 - 1–13
 - monitor port 2–9
 - USB support 7–2
- expansion port 1–13, A–3
- external numeric keypad 2–17

F

- F12 to boot from LAN
 - message 8–18
- firewall software 6–15
- flash memory cards 7–5

- fn** key 1–2
- function keys (**f1**, **f2**, etc.) 2–5

G

- Getting Started* 1–20

H

- hard drive
 - affected by airport security
 - 7–13
 - displaying amount of free space on 7–19
 - replacing internal 7–14
 - self-test 8–18
 - space on, required for
 - hibernation file 7–19
- hard drive bay
 - identifying 1–18
 - replacing hard drive 7–14
- headphone (audio-out) jack
 - 1–11, 4–3
- headphones 4–3
- Help and Support Center 2–7
- hibernation
 - avoiding when using discs,
 - diskettes 3–7, 4–11
 - defined 3–6
 - enabling/disabling 3–6
 - identifying 7–14
 - initiated during critical
 - low-battery condition
 - 3–17
 - initiating 3–10
 - restoring from 3–6, 3–10
 - setting preferences 3–12
 - when to use 3–6
- hibernation file 3–6, 7–19

- hotkey commands
 - access Help and Support Center 2-7
 - control media activity (play, pause, stop, etc.) 2-12, 4-9, 8-2
 - decrease display brightness 2-11
 - display system information 2-13
 - increase display brightness 2-11
 - initiate QuickLock 2-11
 - initiate standby 3-9, 3-12
 - open Internet Explorer 2-8
 - open print options window 2-8
 - Quick Reference 2-6
 - switch image 2-9
 - hotkeys
 - displaying functions on the screen 8-12
 - identifying 1-1, 2-5
 - procedures 2-7
 - Quick Reference 2-6
 - using with external keyboard 2-7
 - HP administrator password 6-5
 - HP password 6-5
 - HP password guidelines 6-6
 - HP xc2000 Notebook
 - All-in-One Media Cable 2-9
 - hub, USB 7-2
 - humidity specifications A-1
- I**
- icons on Windows desktop, setting display preferences 8-10
 - IDE drive light 1-10, 7-12
 - identifying components
 - bottom 1-17
 - front 1-9
 - left-side 1-12
 - rear 1-12
 - right-side 1-15
 - top 1-1
 - IEEE 1394 port 1-15, 7-3
 - Internet Connection wizard 2-8
 - Internet Explorer 2-8
 - InterVideo WinDVD Creator 4-16
 - InterVideo WinDVD Player 4-14, 4-16
- J**
- jacks
 - audio-in (microphone) 1-11, 4-4
 - audio-out (headphone) 1-11, 4-3
 - RJ-11 (modem) 1-13
 - RJ-45 (network) 1-13
 - S-Video-out 1-16, 4-5
 - See also* connectors; ports
- K**
- keyboard, external 2-7, 8-13
 - keypad, embedded numeric
 - identifying 1-2, 2-14
 - procedures 2-15

- keypad, external numeric, procedures 2–17
- keys
 - fn** 1–2
 - function (**f1**, **f2**, etc.) 1–1
 - hotkeys 1–1, 2–5
 - keypad 1–2, 2–14
 - num lock** 2–15
 - scroll lock** 2–7
 - shift** 2–16, 3–10
 - Windows applications 1–2
 - Windows logo 1–1
 - See also* buttons; display switch

L

- labels
 - Bluetooth 1–21
 - Microsoft Certificate of Authenticity 1–21
 - Modem Approval 1–21
 - Regulatory 1–21
 - Service Tag 1–21
 - wireless certification 1–21
 - WLAN 1–21
- language, changing in Setup utility 8–15
- latch, battery pack release 1–18
 - See also* buttons; display switch
- lights
 - 6-in-1 Digital Media Reader 1–15
 - battery 1–10, 3–15, 3–17
 - caps lock 1–5

- IDE drive 1–10, 7–12
- mute 1–5, 4–2
- num lock 1–6, 2–15
- power/standby 1–9, 3–8
- power/standby button 1–5
- TouchPad 2–1
- wireless 1–9
 - wireless button 1–6
- lock, security cable 1–16, 6–16
- lock-up, system 3–11
- low-battery condition 3–17

M

- Media Player, Windows 4–16
- media, digital 7–5
- memory
 - displaying amount of 2–7, 7–19
 - increasing RAM 7–19
- memory card reader 7–5
- memory compartment 1–17, 7–21
- memory module, removing or inserting 7–20
- Memory Reader light 7–6
- Memory Reader slot 7–6
- Memory Stick, Memory Stick Pro 7–5
- microphone 4–4
- microphone (audio-in) jack 1–11, 4–4
- Microsoft Certificate of Authenticity label 1–21
- Mini PCI compartment 1–17

model, identifying notebook
2–7, 8–2

modem
country-specific adapter
1–19
documentation 7–4

modem (RJ-11) jack 1–13

Modem Approval label 1–21

modem cable 1–19

monitor
connecting 7–1
switching image 2–9, 7–1

monitor port 1–13

mouse, external
setting preferences 2–3
USB 7–2

MultiMediaCard 7–5

mute button 1–7, 4–2

mute light 1–5, 4–2

N

network (RJ-45) jack 1–13

network cable 1–13

network documentation 7–4

Network Service Boot 8–18

Norton AntiVirus 6–13

notebook model, family, type,
and serial number 2–7, 8–2

num lock key 2–15

num lock light 1–6, 2–15

numeric keypad. *See* keypad,
external numeric; keypad,
embedded numeric

O

operating environment
specifications A–1

operating system
Internet Connection wizard
2–8
loading 3–8
Microsoft Certificate of
Authenticity label 1–21
passwords 6–5
Product Key 1–21
security 6–2
shutting down 3–8, 3–11

operating system recovery disc
1–20

operating system, Windows
reinstalling or repairing
1–20

optical disc. *See* CDs; DVDs

optical drive
identifying 1–15
inserting, removing disc
4–8
See also CDs; drives;
DVDs

P

passwords
forgetting 6–4
HP 6–5
HP guidelines 6–6
power-on 6–10
QuickLock 2–11
standby 3–12

- using 6–4
 - Windows 6–5
 - Windows administrator 2–11
 - Windows guidelines 6–6
 - Windows user 2–11
 - passwords, coordinating 6–6
 - PC Card
 - configuring 7–9
 - inserting, removing 7–10
 - stopping 7–11
 - types supported 7–9
 - PC Card eject button 1–14, 7–11
 - PC Card slot 1–14, 7–10
 - PCFriendly 4–15
 - pointing device 2–2
 - ports
 - 1394 1–15, 7–3
 - expansion port 1–13
 - external monitor 1–13, 2–9
 - USB 1–13, 1–15, 7–2
 - See also* connectors; jacks
 - power
 - conserving 3–6, 3–23
 - control and light locations 3–4
 - schemes 3–12
 - setting preferences 3–12
 - sources 3–1
 - switching between AC and battery 3–3
 - See also* battery pack; hibernation; shutdown procedures; standby
 - power connector 1–13
 - power cord
 - external device 7–19
 - notebook 1–19
 - See also* cables
 - Power Meter icon 3–3, 3–16
 - power/standby button
 - default functions 3–8
 - identifying 1–4, 3–4
 - resetting notebook with 3–11
 - setting preferences 3–12
 - power/standby light 1–5, 1–9, 3–8
 - powered device, connecting 7–1
 - power-on password 6–5
 - Press ESC to change boot order message 8–18
 - Product Key 1–21
 - product name and number, notebook 1–21, 2–7
 - projector
 - connecting 1–13, 7–1
 - switching image 2–9
 - PXE server 7–4
- Q**
- QuickLock 2–11
 - QuickLock hotkey 6–3
- R**
- RAM (random access memory) 7–19
 - reader, memory card 7–5
 - recovery discs 1–20
 - regional settings for DVDs 4–13

- regulatory information
 - Modem Approval label 1–21
 - Regulatory label 1–21
 - wireless certification labels 1–21
- reinstalling or repairing
 - software 1–20
- release latch, battery pack 1–18, 3–25
- reset (emergency shutdown procedures) 3–11
- restore point 8–7
- RJ-11 (modem) jack 1–13
- RJ-45 (network) jack 1–13
- ROM
 - determining current version of 8–2
 - downloading and installing 8–4
 - obtaining updates 8–3
- ROMPaq 8–3
- S**
- scanner 7–3
- screen saver 3–24
- scroll lock** key 2–7
- scrolling regions, TouchPad 1–3, 2–2
- Secure Digital (SD) Memory Card 7–5
- security cable lock, connecting 6–16
- security cable slot 1–16
- security features 6–1
- security features on notebook 6–3
- serial number, notebook 1–21, 2–7
- series, notebook 8–2
- Service Tag 1–21
- Setup utility
 - changing language 8–15
 - displaying system information 8–16
 - navigation and selection 8–15
 - Network Service Boot 7–4, 8–18
 - opening 8–14
 - restoring default settings 8–15, 8–17
 - setting security preferences 6–3
- shift** key
 - embedded numeric keypad function 2–16
 - hibernation function 3–10
- shutdown procedures 3–8
- 6-in-1 Digital Media Reader 7–5
- 6-in-1 Digital Media Reader slot 7–6
- sleep button 2–10
- Sleep. *See* standby
- slots
 - 6-in-1 Digital Media Reader 1–15, 7–5
 - memory 7–19
 - PC Card 1–14
 - security cable 1–16

- SmartMedia (SM) card 7–5
- socket services, PC Card 7–9
- SoftPaq 8–3, 8–5
- software
 - antivirus 6–13
 - AutoPlay 4–10
 - firewall 6–2, 6–15
 - Internet Connection wizard 2–8
 - multimedia applications 4–13, 4–15
 - Power Meter 3–16
 - reinstalling or repairing 1–20
 - repair, reinstallation
 - documentation 8–8
 - ROMPaq 8–3
 - security features 6–1
 - Setup utility 8–14
 - SoftPaq 8–3
 - System Restore 8–7
 - updating 8–1
- Sonic RecordNow! 4–14, 4–16
- speakers
 - external 4–3
 - internal 1–11, 4–1
- specifications
 - operating environment A–1
 - rated input power A–2
- standby
 - avoiding when using discs, diskettes 3–7, 4–11
 - initiated during critical low-battery condition 3–17

- initiating 3–9
- password 3–12
- power/standby light 1–5, 1–9
- resuming from 3–9
- setting preferences 3–12
- stereo speakers
 - external 4–3
 - internal 1–11, 4–1
- S-Video-out jack 1–16, 4–5
- switch, display
 - identifying 1–4, 3–4
 - setting preferences 3–12
- system information,
 - displaying 8–2, 8–16
- system lock-up 3–11
- System Restore 8–7

T

- telephone jack (RJ-11 jack) 1–13
- television
 - connecting audio 4–3
 - connecting video 4–6
- temperature
 - specifications A–1
 - storage, battery pack 3–27
- 1394 port 1–15, 7–3
- TouchPad 1–3, 2–1
- traveling with notebook
 - battery pack temperature considerations 3–27
 - environmental specifications A–1

- Modem Approval label
 - 1–21
 - wireless certification labels
 - 1–21
 - turning off notebook 3–8,
3–11
 - turning on notebook 3–8
 - tutorials 2–7, 4–15, 7–4
- U**
- unresponsive system,
emergency shutdown
procedures 3–11
 - USB devices, connecting 7–2
 - USB ports, identifying 1–13,
1–15
 - user passwords 6–5
- V**
- VCR
 - connecting audio 4–3
 - connecting video 4–5
 - vents, exhaust 1–12, 1–18
 - video device
 - connecting 4–5, 7–1
 - turning on or off 4–7
 - viruses, antivirus software
6–13
 - volume buttons 1–7
 - volume, adjusting 4–2
- W**
- Windows applications key 1–2
 - Windows category vs.
Windows classic view 2–3
 - Windows desktop, setting icon
display preferences 8–10
 - Windows firewall 6–2
 - Windows logo key 1–1
 - Windows Media Player 4–16
 - Windows MovieMaker 4–16
 - Windows password guidelines
6–6
 - WinDVD Creator 4–16
 - WinDVD Player 4–16
 - wireless
 - types of WLAN adapters
5–7
 - wireless local area network
(WLAN) 5–7
 - WLAN software 5–8
 - wireless button 1–7, 5–11
 - wireless certification label
1–21
 - wireless device antennae 1–8
 - wireless device documentation
7–4
 - wireless LAN device
 - Mini PCI compartment
1–17
 - wireless button 1–7
 - wireless light 1–6, 1–9
 - wireless light 1–6, 1–9
 - WLAN
 - identifying devices 5–7
 - software 5–8
 - troubleshooting 5–8
 - types 5–7
 - WLAN label 1–21
- X**
- xD-Picture Card 7–5