

NORTHROP GRUMMAN SPERRY MARINE

©Northrop Grumman Sperry Marine owns the copyright of this document, which is supplied in confidence and must not be used for any other purpose than for which it is supplied.

Spares Kit Breakdown Structures: BRIDGEMASTER E

APPROVAL SIGNATURES

Approved by:

Date:

_____	_____
-------	-------

Notice

This publication and the information contained herein is and remains the intellectual property of Sperry Marine . Sperry Marine Systems provide a limited licence for the user to reproduce this material for their own internal purpose and use, but not for distribution to third parties. Reproduction of this material for resale or commercial gain is expressly prohibited.

Sperry Marine are not responsible for any loss or damage of any nature or kind whatsoever that may arise from either the use of this publication or its reproduction.

Spares Breakdown Structures
 BridgeMaster E Radars

REVISION RECORD

Revision No	Description of Revision	Issue Date
1	Original Issue	15-Dec-04

Contents	Page
General Guide Lines	4
Antennas	5
S and X Band Antennas	6
Turning Units (excluding the transceiver)	7
Turning Unit X Band Masthead or Bulkhead Standard	8
Turning Unit X Band Masthead or Bulkhead with Additional Facilities	9
Turning Unit S Band Masthead or Bulkhead Standard	10
Turning Unit S Band Masthead or Bulkhead with Additional Facilities	11
Transceivers	12
Transceiver X Band Masthead Standard 10kW AC Mains	13
Transceiver X Band Bulkhead Standard 10kW AC Mains	14
Transceiver X Band Masthead Additional Facilities 10kW AC Mains	15
Transceiver X Band Bulkhead Additional Facilities 10kW AC Mains	16
Transceiver X Band Masthead Standard 10kW DC Mains	17
Transceiver X Band Masthead Additional Facilities 10kW DC Mains	18
Transceiver X Band Masthead Standard 25kW	19
Transceiver X Band Bulkhead Standard 25kW	20
Transceiver X Band Masthead Additional Facilities 25kW	21
Transceiver X Band Bulkhead Additional Facilities 25kW	22
Transceiver S Band Masthead Standard	23
Transceiver S Band Bulkhead Standard	24
Transceiver S Band Masthead Additional Facilities	25
Transceiver S Band Bulkhead Additional Facilities	26
Processors	27
Processor Unit Single Channel Standard AC	28
Processor Unit Single Channel Standard Special Compass AC	29
Processor Unit Single Channel Standard DC	30
Processor Unit Single Channel Standard Special Compass DC	31
Processor Unit Single Channel Vision AC	32
Processor Unit Single Channel Vision Special Compass AC	33
Processor Unit Single Channel Vision DC	34
Processor Unit Single Channel Vision Special Compass DC	35
Processor Unit Dual Channel Standard AC	36
Processor Unit Dual Channel Standard Special Compass AC	37
Processor Unit Single Card (L) Standard AC	38
Processor Unit Single Card (L) Standard DC	39
Other Sub Systems	40
Monitors	41
Human Interface Components	42

Spares Breakdown Structures BridgeMaster E Radars

General Guide Lines

Purpose of this booklet

The BridgeMaster E Series of Radars covers a very wide range of possible configurations. Whilst there is a high degree of commonality between different configurations, each configuration is potentially unique. This booklet provides a useful guide to the major spare parts required for any particular configuration of BridgeMaster System.

How to use this booklet

This booklet is divided into the individual sections covering the major Radar sub Systems. i.e. Antennas, Turning Units, Transceivers, Processors, Monitors and Human Interface components.

To use this guide simply collect the part numbers of your individual system components. Then for each sub system go to the appropriate page in the booklet dealing with that sub system.

Using the schematics and information about your specific system go to the appropriate section of the guide to provide a schedule of spare parts.

For a complete set of parts for a system the following will be required:

- 1) Antenna Spare
- 2) Turning Unit (excluding transceiver) Spares
- 3) Transceiver Spares
- 4) Processor Spares
- 5) Monitor Spares
- 6) Human Interface Spares

Code 1 Spares Support

For the BridgeMaster E we have a code 1 spares support capability which means that we can despatch any spare components for the BridgeMaster E within 24 hours of receipt of order (usually the same day)

Specific Mission Profile

Spares Logistical Support is an important part of the Sperry Marine Business portfolio. We recognise that there is an important relationship between operational system availability, spares availability, replenishment time and the costs of logistical support. Sperry Marine Can provide bespoke services to plan and execute a tailored capability to meet individual customer needs.

Antennas

Spares Breakdown Structures
BridgeMaster E Radars

S and X Band Antennas

The antenna is a sealed unit and contains no user servicable components.
Spares Support is by Unit replacement.

X Band Antennas

65604/A	4ft (1.2m) Antenna X Band
65606/A	6ft (1.8m) Antenna X Band
65608/A	8ft (2.4m) Antenna X Band

S Band Antennas

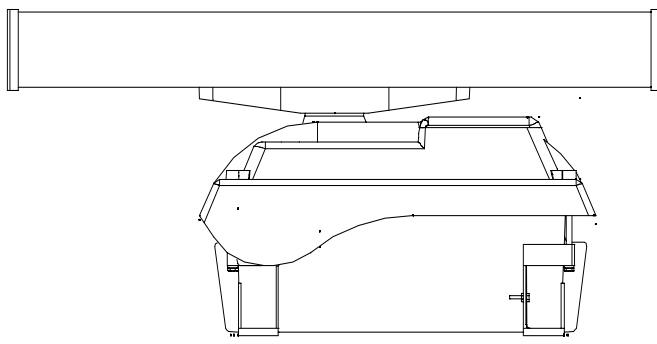
65609A	9ft (2.7m) Antenna S Band
65612A	12ft (3.5m) Antenna S Band

Turning Units

Spares Breakdown Structures
BridgeMaster E Radars

Turning Unit X Band Masthead or Bulkhead Standard

		Base Ships		
T91005220	Performance Monitor	1		If Required
T65801813	Input PCB	1		
T65801805	Bearing & HM PCB	1	1	
T65801811	Motor Drive PCB	1		
T91003765	Motor/Gearbox Assembly	1		
MA00008979	Belt Drive (40W)	1	1	
T65801506	Scanner On/Off Switch	1	1	
MA00007245	Fuse 3.15A	10	10	Masthead Only AC Mains
2162342	Fuse 16A	10	10	Masthead Only DC Mains



The above spares are appropriate for the following Turning Units

Masthead Type

658[10 or 25][M or W][A or D][P,R,S,T,U,V,W or X]

eg 65825WAP

Bulhead Type

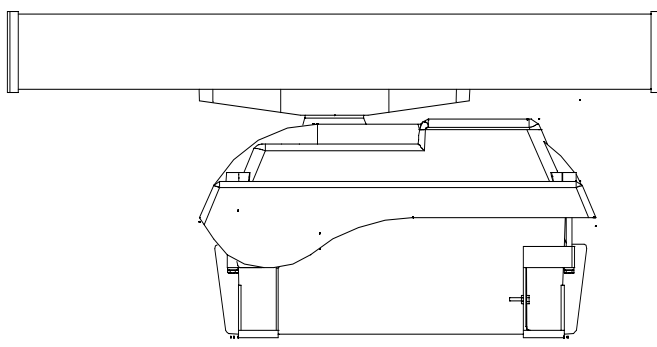
65801B[A or D][P,R,S,T,U,V,W or X]

eg 65801BAP

Spares Breakdown Structures
BridgeMaster E Radars

Turning Unit X Band Masthead or Bulkhead with Additional Facilities

		Base Ships		
T91005220	Performance Monitor	1		If Required
T65801819	Input PCB	1		
T65801826	Bearing & HM PCB	1	1	
T65801827	Motor Drive PCB	1		
T91003765	Motor/Gearbox Assembly	1		
MA00008979	Belt Drive (40W)	1	1	
T65801506	Scanner On/Off Switch	1	1	
MA00007245	Fuse 3.15A	10	10	Masthead Only AC Mains
2162342	Fuse 16A	10	10	Masthead Only DC Mains



The above spares are appropriate for the following Turning Units

Masthead Type

658[10 or 25]N[A or D][P,R,S,T,U,V,W or X]

eg 65825NAP

Bulhead Type

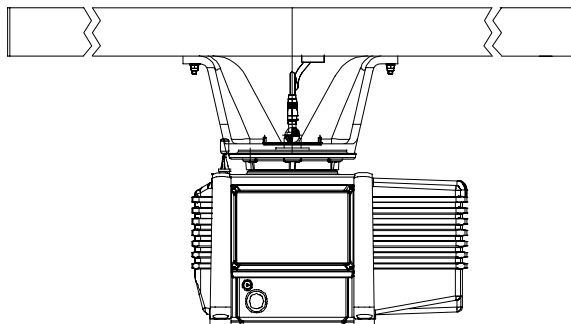
65801C[A or D][P,R,S,T,U,V,W or X]

eg 65801CAP

Spares Breakdown Structures
BridgeMaster E Radars

Turning Unit S Band Masthead or Bulkhead Standard

		Base Ships		
T91003746	Performance Monitor	1		If Required
T65801813	Input PCB	1		
T65801805	Bearing & HM PCB	1	1	
MA00007245	Fuse 3.15A	10	10	Masthead Only

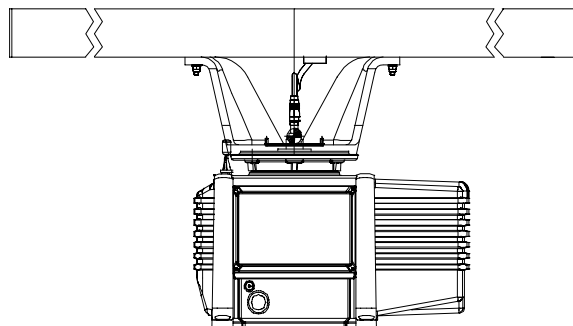


The above spares are appropriate for the following Turning Units
Masthead Type
65830[M or B][E,F,G,H,J,K,L,M,P,Q,R or S][P,R,S,T,U,V,W or X]
eg 65830MHR
Bulkhead Type
65830B[E,F,G,H,J,K,L,M,P,Q,R or S][P,R,S,T,U,V,W or X]
eg 65801BHR

Spares Breakdown Structures
BridgeMaster E Radars

Turning Unit S Band Masthead or Bulkhead with Additional Facilities

		Base Ships		
T91003746	Performance Monitor	1		If Required
T65801819	Input PCB	1		
T65801805	Bearing & HM PCB	1	1	
MA00007245	Fuse 3.15A	10	10	Masthead Only



The above spares are appropriate for the following Turning Units

Masthead Type

65830N[E,F,G,H,J,K,L,M,P,Q,R or S][P,R,S,T,U,V,W or X]

eg 65830NHR

Bulhead Type

65830C[E,F,G,H,J,K,L,M,P,Q,R or S][P,R,S,T,U,V,W or X]

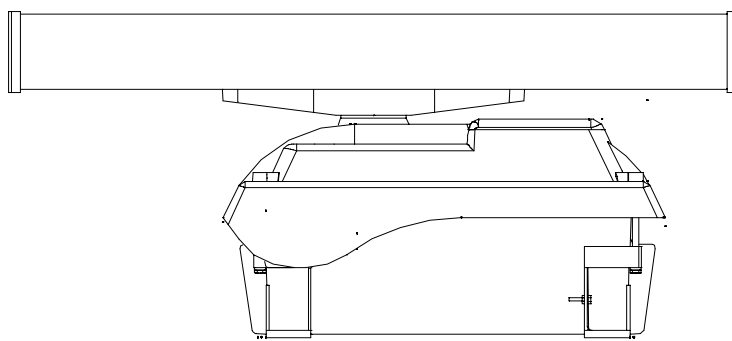
eg 65801BHR

Transceivers

Spares Breakdown Structures
 BridgeMaster E Radars

Transceiver X Band Masthead Standard 10kW AC Mains

		Base Ships	
T65801801	Trigger PCB	1	
T65825816	Power Supply PCB (AC)	1	
T65801818	Receiver Filter PCB	1	
T65801616	LNFE & Receiver Assembly	1	
T65810812	Modulator 10kW	1	
T91005221	Limiter Assembly 10kW (active)	1	1
T91003582	Magnetron 10kW	1	1
T91005227	Circulator 10kW/25kW	1	1
MA00007245	Fuse 3.15A	10	10

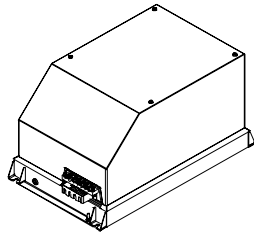


The above spares are appropriate for the following Turning Units
 Masthead Type
 65810[M or W]A[P,R,S,T,U,V,W or X]
 eg 65810WAP

Spares Breakdown Structures
BridgeMaster E Radars

Transceiver X Band Bulkhead Standard 10kW AC Mains

		Base Ships	
T65801815	Input PCB	1	
T65801801	Trigger PCB	1	
T65825816	Power Supply PCB (AC)	1	
T65801818	Receiver Filter PCB	1	
T65801616	LNFE & Receiver Assembly	1	
T65810812	Modulator 10kW	1	
T91005221	Limiter Assembly 10kW (active)	1	1
T91003582	Magnetron 10kW	1	1
T91005227	Circulator 10kW/25kW	1	1
MA00007245	Fuse 3.15A	10	10

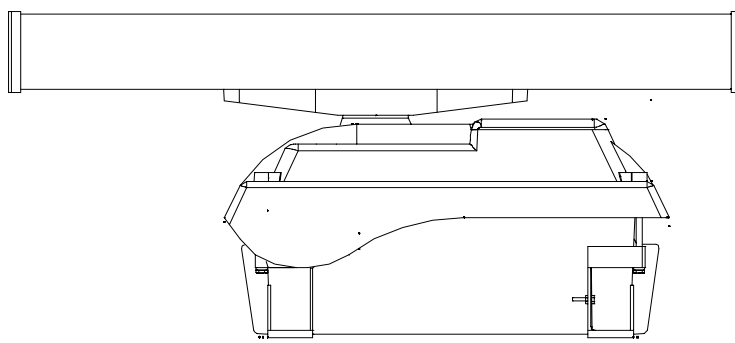


The above spares are appropriate for the following Transceivers
Masthead Type
65810[A or E]
eg 65810E

Spares Breakdown Structures
BridgeMaster E Radars

Transceiver X Band Masthead Additional Facilities 10kW AC Mains

		Base Ships	
T65801806	Trigger PCB	1	
T65825816	Power Supply PCB (AC)	1	
T65801818	Receiver Filter PCB	1	
T65801616	LNFE & Receiver Assembly	1	
T65810812	Modulator 10kW	1	
T91005221	Limiter Assembly 10kW (active)	1	1
T91003582	Magnetron 10kW	1	1
T91005227	Circulator 10kW/25kW	1	1
MA00007245	Fuse 3.15A	10	10

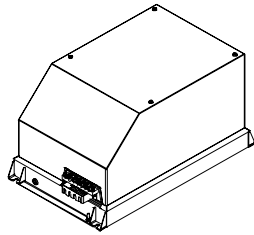


The above spares are appropriate for the following Turning Units
Masthead Type
65810NA[P,R,S,T,U,V,W or X]
eg 65810NAP

Spares Breakdown Structures
 BridgeMaster E Radars

Transceiver X Band Bulkhead Additional Facilities 10kW AC Mains

		Base Ships	
T65801821	Input PCB	1	
T65801806	Trigger PCB	1	
T65825816	Power Supply PCB (AC)	1	
T65801818	Receiver Filter PCB	1	
T65801616	LNFE & Receiver Assembly	1	
T65810812	Modulator 10kW	1	
T91005221	Limitter Assembly 10kW (active)	1	1
T91003582	Magnetron 10kW	1	1
T91005227	Circulator 10kW/25kW	1	1
MA00007245	Fuse 3.15A	10	10

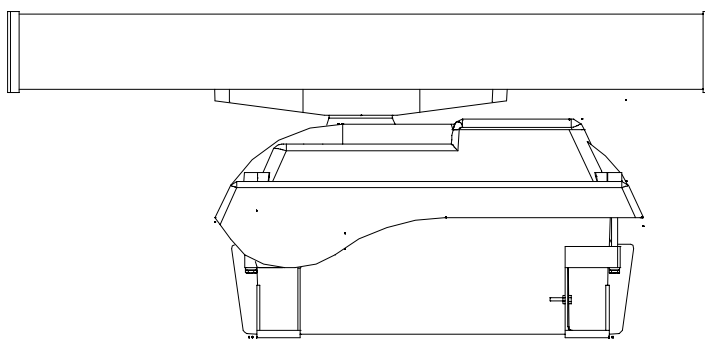


The above spares are appropriate for the following Transceivers
 Masthead Type
 65810[B or F]
 eg 65810F

Spares Breakdown Structures
BridgeMaster E Radars

Transceiver X Band Masthead Standard 10kW DC Mains

	Base Ships	
T65801801 Trigger PCB	1	
T65810816 Power Supply PCB (DC)	1	
T65801818 Receiver Filter PCB	1	
T65801616 LNFE & Receiver Assembly	1	
T65810812 Modulator 10kW	1	
T91005221 Limiter Assembly 10kW (active)	1	1
T91003582 Magnetron 10kW	1	1
T91005227 Circulator 10kW/25kW	1	1
2162342 Fuse 16A	10	10

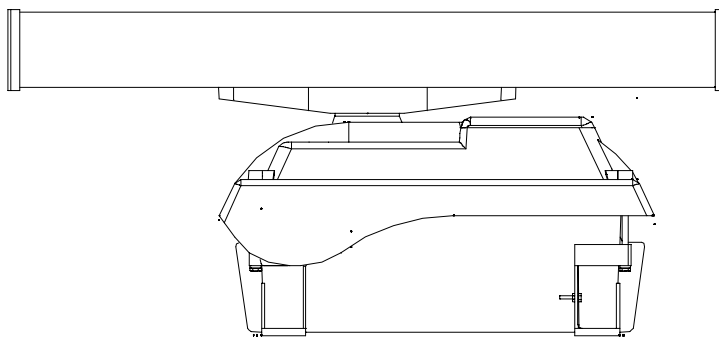


The above spares are appropriate for the following Turning Units
Masthead Type
65810[M or W]D[P,R,S,T,U,V,W or X]
eg 65810WDP

Spares Breakdown Structures
BridgeMaster E Radars

Transceiver X Band Masthead Additional Facilities 10kW DC Mains

		Base Ships	
T65801806	Trigger PCB	1	
T65810816	Power Supply PCB (DC)	1	
T65801818	Receiver Filter PCB	1	
T65801616	LNFE & Receiver Assembly	1	
T65810812	Modulator 10kW	1	
T91005221	Limiter Assembly 10kW (active)	1	1
T91003582	Magnetron 10kW	1	1
T91005227	Circulator 10kW/25kW	1	1
2162342	Fuse 16A	10	10

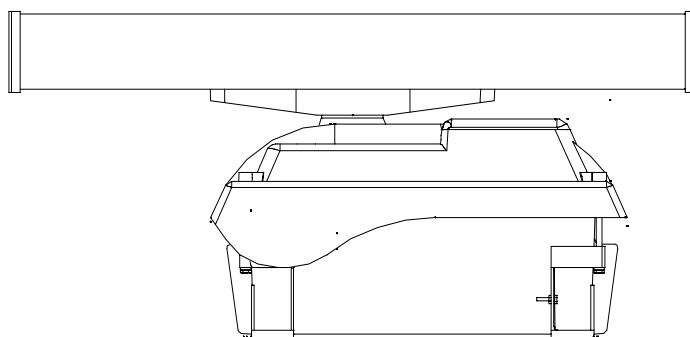


The above spares are appropriate for the following Turning Units
Masthead Type
65810ND[P,R,S,T,U,V,W or X]
eg 65810NDP

Spares Breakdown Structures
BridgeMaster E Radars

Transceiver X Band Masthead Standard 25kW

		Base Ships	
T65801801	Trigger PCB	1	
T65825816	Power Supply PCB (AC)	1	
T65801818	Receiver Filter PCB	1	
T65801616	LNFE & Receiver Assembly	1	
T65825812	Modulator 25kW	1	
T91005226	Limiter 25kW (active)	1	1
T91003496	Magnetron 25kW	1	1
T91005227	Circulator 10kW/25kW	1	1
MA00007245	Fuse 3.15A	10	10

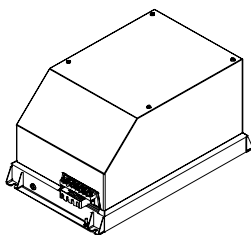


The above spares are appropriate for the following Turning Units
Masthead Type
65825[M or W]A[P,R,S,T,U,V,W or X]
eg 65825WAP

Spares Breakdown Structures
BridgeMaster E Radars

Transceiver X Band Bulkhead Standard 25kW

		Base Ships	
T65801820	Input PCB	1	
T65801801	Trigger PCB	1	
T65825816	Power Supply PCB (AC)	1	
T65801818	Receiver Filter PCB	1	
T65801616	LNFE & Receiver Assembly	1	
T65825812	Modulator 25kW	1	
T91005226	Limiter 25kW (active)	1	1
T91003496	Magnetron 25kW	1	1
T91005227	Circulator 10kW/25kW	1	1
MA00007245	Fuse 3.15A	10	10

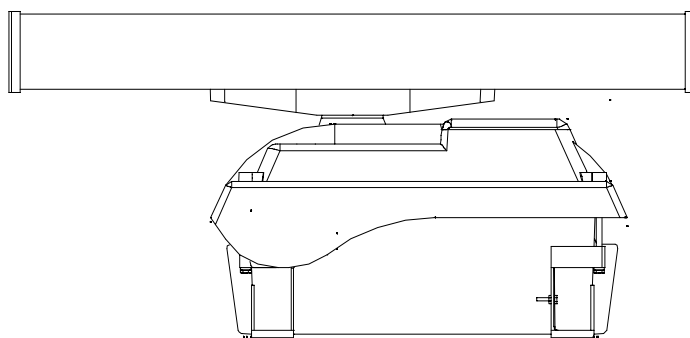


The above spares are appropriate for the following Transceivers
Masthead Type
65825[A or E]
eg 65825E

Spares Breakdown Structures
BridgeMaster E Radars

Transceiver X Band Masthead Additional Facilities 25kW

		Base Ships	
T65801806	Trigger PCB	1	
T65825816	Power Supply PCB (AC)	1	
T65801818	Receiver Filter PCB	1	
T65801616	LNFE & Receiver Assembly	1	
T65825812	Modulator 25kW	1	
T91005226	Limiter 25kW (active)	1	1
T91003496	Magnetron 25kW	1	1
T91005227	Circulator 10kW/25kW	1	1
MA00007245	Fuse 3.15A	10	10

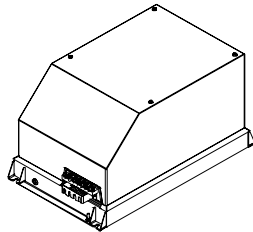


The above spares are appropriate for the following Turning Units
Masthead Type
65825NA[P,R,S,T,U,V,W or X]
eg 65825NAP

Spares Breakdown Structures
BridgeMaster E Radars

Transceiver X Band Bulkhead Additional Facilities 25kW

		Base Ships	
T65801815	Input PCB	1	
T65801806	Trigger PCB	1	
T65825816	Power Supply PCB (AC)	1	
T65801818	Receiver Filter PCB	1	
T65801616	LNFE & Receiver Assembly	1	
T65825812	Modulator 25kW	1	
T91005226	Limiter 25kW (active)	1	1
T91003496	Magnetron 25kW	1	1
T91005227	Circulator 10kW/25kW	1	1
MA00007245	Fuse 3.15A	10	10

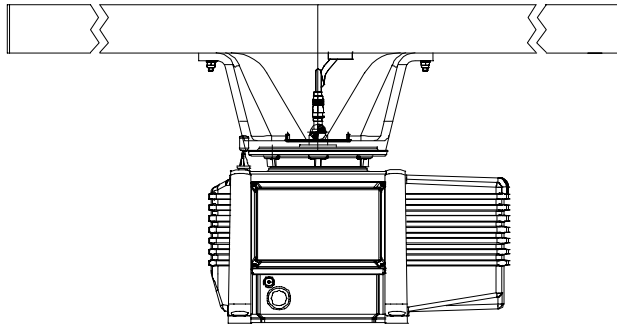


The above spares are appropriate for the following Transceivers
Masthead Type
65825[B or F]
eg 65825F

Spares Breakdown Structures
BridgeMaster E Radars

Transceiver S Band Masthead Standard

		Base Ships	
T65801801	Trigger PCB	1	
T65801818	Receiver Filter PCB	1	
T65801809	Power Supply PCB	1	
T65830616	LNFE & Receiver Assembly	1	
T65830812	Modulator 30kW	1	
T91005224	Limiter 30kW	1	1
T91005225	Magnetron 30kW	1	1
T91005223	Circulator 30kW	1	1
MA00007245	Fuse 3.15A	10	10

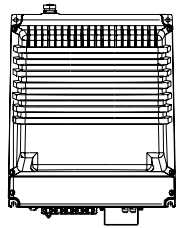


The above spares are appropriate for the following Turning Units
Masthead Type
65830M[E,F,G,H,J,K,L,M,P,Q,R or S][P,R,S,T,U,V,W or X]
eg 65830MHR

Spares Breakdown Structures
BridgeMaster E Radars

Transceiver S Band Bulkhead Standard

		Base Ships	
T65801814	Input PCB	1	
T65801801	Trigger PCB	1	
T65801818	Receiver Filter PCB	1	
T65801809	Power Supply PCB	1	
T65830616	LNFE & Receiver Assembly	1	
T65830812	Modulator 30kW	1	
T91005224	Limiter 30kW	1	1
T91005225	Magnetron 30kW	1	1
T91005223	Circulator 30kW	1	1
MA00007245	Fuse 3.15A	10	10

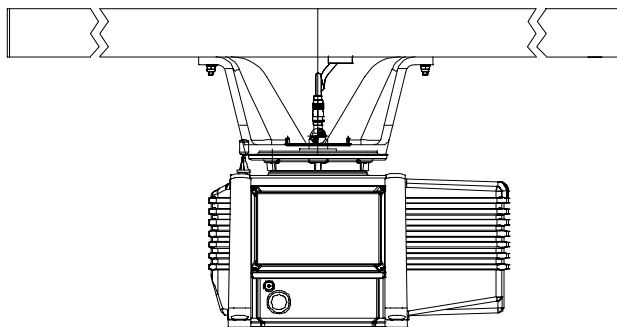


The above spares are appropriate for the following Transceivers
Bulhead Type
65831A only
eg 6531A

Spares Breakdown Structures
BridgeMaster E Radars

Transceiver S Band Masthead Additional Facilities

		Base Ships	
T65801806	Trigger PCB	1	
T65801818	Receiver Filter PCB	1	
T65801809	Power Supply PCB	1	
T65830616	LNFE & Receiver Assembly	1	
T65830812	Modulator 30kW	1	
T91005224	Limiter 30kW	1	1
T91005225	Magnetron 30kW	1	1
T91005223	Circulator 30kW	1	1
MA00007245	Fuse 3.15A	10	10

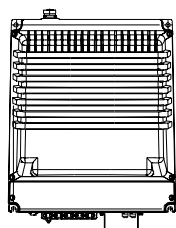


The above spares are appropriate for the following Turning Units
Masthead Type
65830N[E,F,G,H,J,K,L,M,P,Q,R or S][P,R,S,T,U,V,W or X]
eg 65830NHR

Spares Breakdown Structures
BridgeMaster E Radars

Transceiver S Band Bulkhead Additional Facilities

		Base Ships	
T65801815	Input PCB	1	
T65801806	Trigger PCB	1	
T65801818	Receiver Filter PCB	1	
T65801809	Power Supply PCB	1	
T65830616	LNFE & Receiver Assembly	1	
T65830812	Modulator 30kW	1	
T91005224	Limiter 30kW	1	1
T91005225	Magnetron 30kW	1	1
T91005223	Circulator 30kW	1	1
MA00007245	Fuse 3.15A	10	10



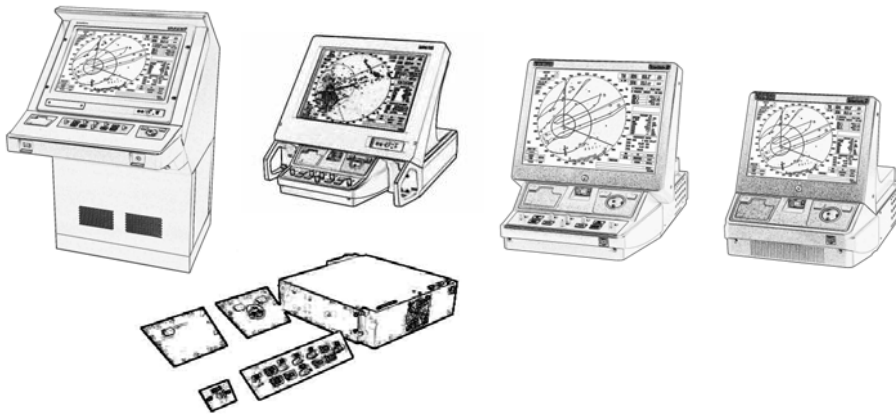
The above spares are appropriate for the following Transceivers
Bulkhead Type
65831B only
eg 6531B

Processors

Spares Breakdown Structures
BridgeMaster E Radars

Processor Unit Single Channel Standard AC

		Base Ships	
T65800811	Display Processor PCB	1	
T65800814	Radar Processor PCB	1	
T65800831	Standard Compass PCB	1	
T65800818	I/O Panel AC mains	1	
T65800819	Backplane	1	
T65800823	AC Power Supply	1	
T65800613	Fan Assembly	1	1
T65800607	On/Off Switch Assembly	1	1
2180413	Fuse 5A	10	10

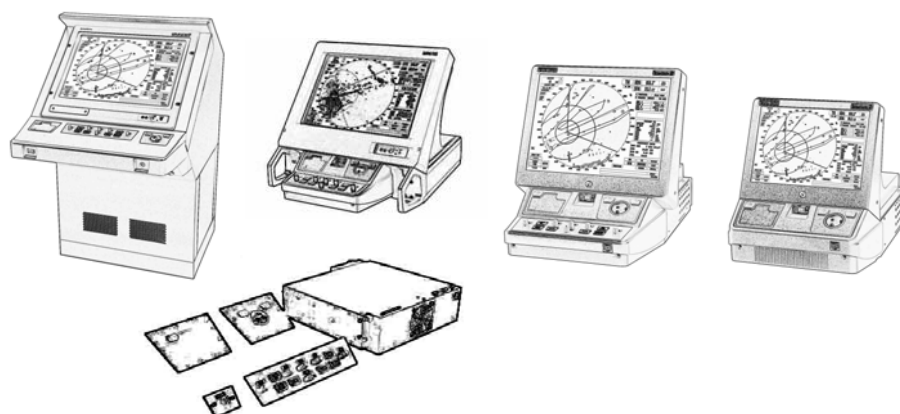


The above spares are appropriate for the following processors
65800[T,U,R ,S, Y or Z]AR{S,T,Y,Z,M,N,O,P, U,V,W,X, J,R,K or L]
eg 65800RARR

Spares Breakdown Structures
 BridgeMaster E Radars

Processor Unit Single Channel Standard Special Compass AC

		Base Ships	
T65800811	Display Processor PCB	1	
T65800814	Radar Processor PCB	1	
T65800832	Special Compass PCB	1	
T65800818	I/O Panel AC mains	1	
T65800819	Backplane	1	
T65800823	AC Power Supply	1	
T65800613	Fan Assembly	1	1
T65800607	On/Off Switch Assembly	1	1
2180413	Fuse 5A	10	10

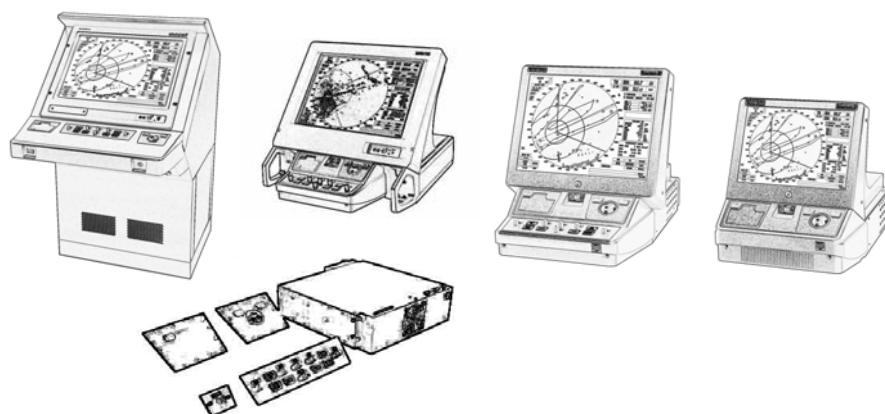


The above spares are appropriate for the following processors
 65800[T,U,R ,S, Y or Z]AV{S,T,Y,Z,M,N,O,P, U,V,W,X, J,R,K or L]
 eg 65800RAVR

Spares Breakdown Structures
BridgeMaster E Radars

Processor Unit Single Channel Standard DC

		Base Ships	
T65800811	Display Processor PCB	1	
T65800814	Radar Processor PCB	1	
T65800831	Standard Compass PCB	1	
T65800821	I/O Panel DC mains	1	
T65800819	Backplane	1	
T65800822	DC Power Supply	1	
T65800613	Fan Assembly	1	1
T65800607	On/Off Switch Assembly	1	1
2162342	Fuse 16A	10	10

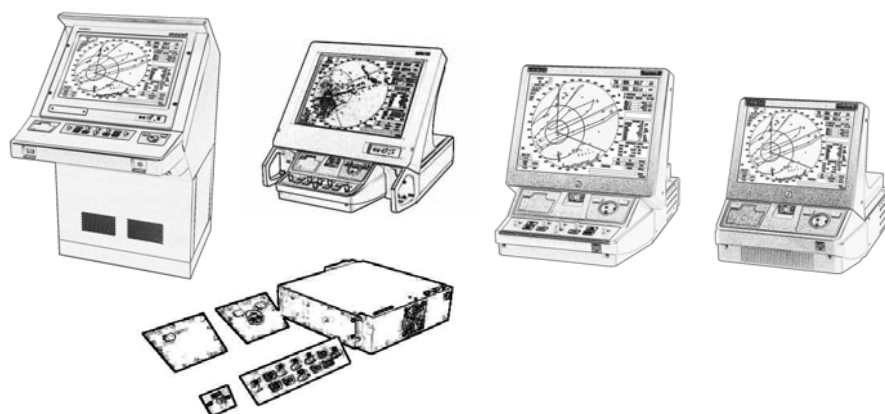


The above spares are appropriate for the following processors
65800[T,U,R ,S, Y or Z]DR{S,T,Y,Z,M,N,O,P, U,V,W,X, J,R,K or L]
eg 65800TDRR

Spares Breakdown Structures
 BridgeMaster E Radars

Processor Unit Single Channel Standard Special Compass DC

		Base Ships	
T65800811	Display Processor PCB	1	
T65800814	Radar Processor PCB	1	
T65800832	Special Compass PCB	1	
T65800821	I/O Panel DC mains	1	
T65800819	Backplane	1	
T65800822	DC Power Supply	1	
T65800613	Fan Assembly	1	1
T65800607	On/Off Switch Assembly	1	1
2162342	Fuse 16A	10	10

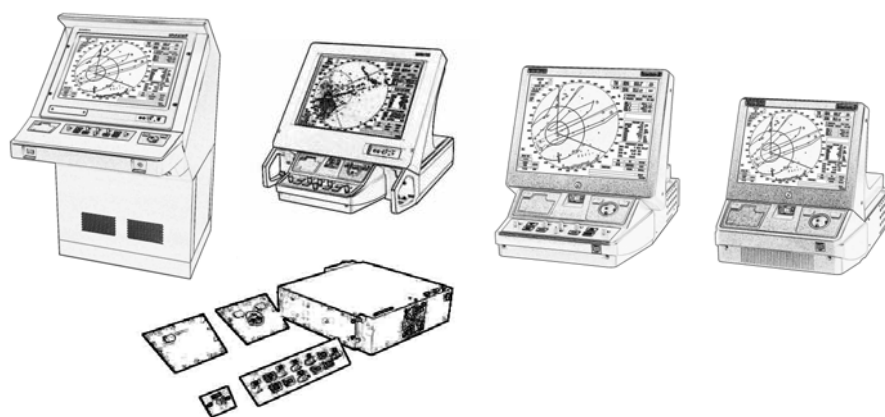


The above spares are appropriate for the following processors
 65800[T,U,R ,S, Y or Z]DV{S,T,Y,Z,M,N,O,P, U,V,W,X, J,R,K or L]
 eg 65800TDVR

Spares Breakdown Structures
 BridgeMaster E Radars

Processor Unit Single Channel Vision AC

		Base Ships	
T65800811	Display Processor PCB	1	
T65800812	Radar Processor PCB	1	
T65800831	Standard Compass PCB	1	
T65800818	I/O Panel AC mains	1	
T65800819	Backplane	1	
T65800823	AC Power Supply	1	
T65800613	Fan Assembly	1	1
T65800607	On/Off Switch Assembly	1	1
2180413	Fuse 5A	10	10

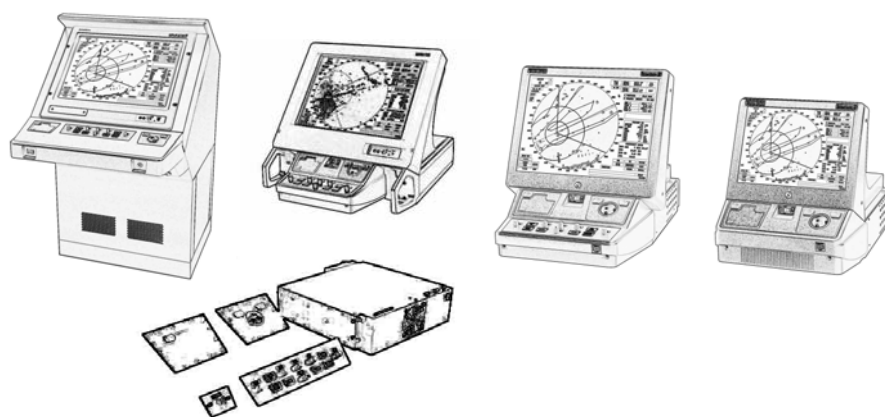


The above spares are appropriate for the following processors
 65800[T,U,R ,S, Y or Z]AT[S,T,Y,Z,M,N,O,P, U,V,W,X, J,R,K or L]
 eg 65800TATR

Spares Breakdown Structures
BridgeMaster E Radars

Processor Unit Single Channel Vision Special Compass AC

		Base Ships	
T65800811	Display Processor PCB	1	
T65800812	Radar Processor PCB	1	
T65800832	Special Compass PCB	1	
T65800818	I/O Panel AC mains	1	
T65800819	Backplane	1	
T65800823	AC Power Supply	1	
T65800613	Fan Assembly	1	1
T65800607	On/Off Switch Assembly	1	1
2180413	Fuse 5A	10	10

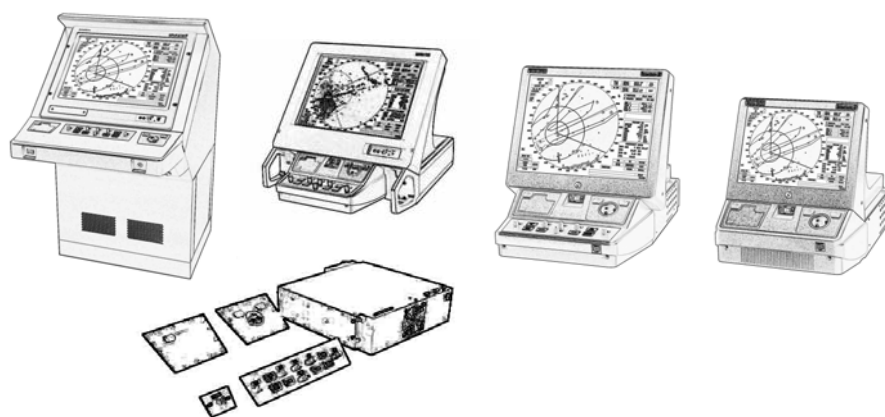


The above spares are appropriate for the following processors
65800[T,U,R ,S, Y or Z]AXS,T,Y,Z,M,N,O,P, U,V,W,X, J,R,K or L]
eg 65800TAXR

Spares Breakdown Structures
BridgeMaster E Radars

Processor Unit Single Channel Vision DC

		Base Ships	
T65800811	Display Processor PCB	1	
T65800812	Radar Processor PCB	1	
T65800831	Standard Compass PCB	1	
T65800821	I/O Panel DC mains	1	
T65800819	Backplane	1	
T65800822	DC Power Supply	1	
T65800613	Fan Assembly	1	1
T65800607	On/Off Switch Assembly	1	1
2162342	Fuse 16A	10	10

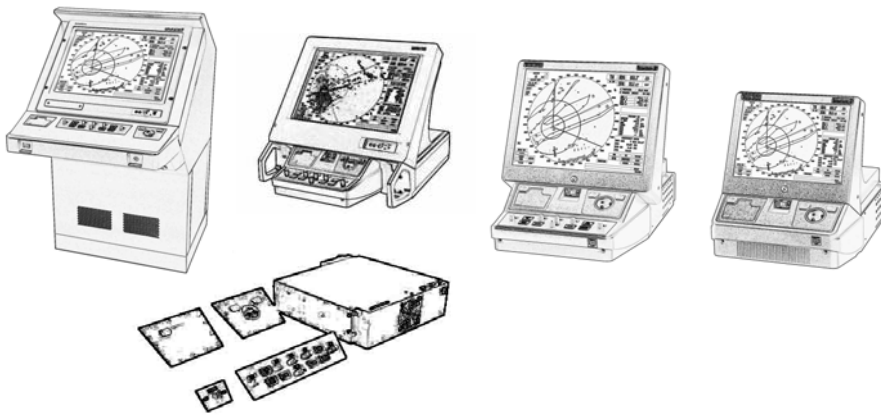


The above spares are appropriate for the following processors
65800[T,U,R ,S, Y or Z]DT[S,T,Y,Z,M,N,O,P, U,V,W,X, J,R,K or L]
eg 65800TDTR

Spares Breakdown Structures
BridgeMaster E Radars

Processor Unit Single Channel Vision Special Compass DC

		Base Ships	
T65800811	Display Processor PCB	1	
T65800812	Radar Processor PCB	1	
T65800832	Special Compass PCB	1	
T65800821	I/O Panel DC mains	1	
T65800819	Backplane	1	
T65800822	DC Power Supply	1	
T65800613	Fan Assembly	1	1
T65800607	On/Off Switch Assembly	1	1
2162342	Fuse 16A	10	10



The above spares are appropriate for the following processors
65800[T,U,R ,S, Y or Z]DX[S,T,Y,Z,M,N,O,P, U,V,W,X, J,R,K or L]
eg 65800TDXR

Spares Breakdown Structures
BridgeMaster E Radars

Processor Unit Dual Channel Standard AC

	Base Ships	
T65818811 Display Processor PCB	1	
T65818814 Radar Processor PCB	1	
T65800831 Standard Compass PCB	1	
T65818818 I/O Panel AC mains	1	
T65818819 Backplane	1	
T65800823 AC Power Supply	1	
T65800613 Fan Assembly	1	1
T65800607 On/Off Switch Assembly	1	1
2180413 Fuse 5A	10	10



The above spares are appropriate for the following processors
65818ZAS[N,P,F,H,R or L]
eg 65800ZASP

Spares Breakdown Structures
BridgeMaster E Radars

Processor Unit Dual Channel Standard Special Compass AC

	Base	Ships
T65818811 Display Processor PCB	1	
T65818814 Radar Processor PCB	1	
T65800832 Special Compass PCB	1	
T65818818 I/O Panel AC mains	1	
T65818819 Backplane	1	
T65800823 AC Power Supply	1	
T65800613 Fan Assembly	1	1
T65800607 On/Off Switch Assembly	1	1
2180413 Fuse 5A	10	10

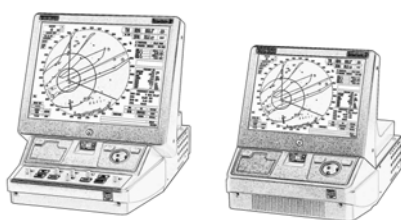


The above spares are appropriate for the following processors
65818ZAW[N,P,F,H,R or L]
eg 65800ZAWP

Spares Breakdown Structures
BridgeMaster E Radars

Processor Unit Single Card (L) Standard AC

	Base Ships	
T65800839 Combined Processor PCB	1	
T65800831 Standard Compass PCB	1	
T65800818 I/O Panel AC mains	1	
T65800819 Backplane	1	
T65800823 AC Power Supply	1	
T65800613 Fan Assembly	1	1
T65800607 On/Off Switch Assembly	1	1
2180413 Fuse 5A	10	10

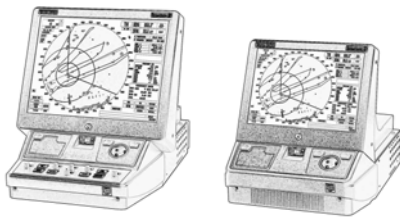


The above spares are appropriate for the following processors
65800PAN[A,B,C or D]
eg 65800PANA

Spares Breakdown Structures
BridgeMaster E Radars

Processor Unit Single Card (L) Standard DC

	Base Ships	
T65800839 Combined Processor PCB	1	
T65800831 Standard Compass PCB	1	
T65800821 I/O Panel DC mains	1	
T65800819 Backplane	1	
T65800822 DC Power Supply	1	
T65800613 Fan Assembly	1	1
T65800607 On/Off Switch Assembly	1	1
2162342 Fuse 16A	10	10



The above spares are appropriate for the following processors
65800PDN[A,B,C or D]
eg 6580OPDNA

Other Sub Systems

Spares Breakdown Structures
BridgeMaster E Radars

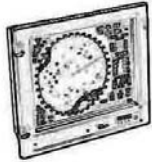
Monitors

180 FLAT PANELS



Desktop
Desktop

AC 65815C
DC 65815C



Kit
Kit

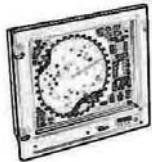
AC 65815A
DC 65815D

250 FLAT PANELS



Desktop
Desktop

AC 65817C
DC 65817C



Kit
Kit

AC 65817G
DC 65817H

340 FLAT PANELS



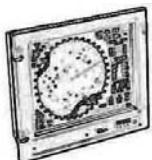
Deckstand

AC X91003799



Desktop

AC X91003790



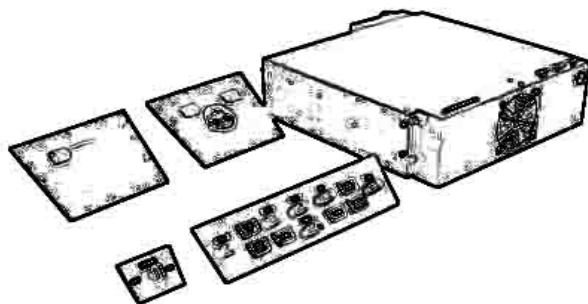
Kit

AC X91003791

Spares Breakdown Structures
BridgeMaster E Radars

Human Interface Components

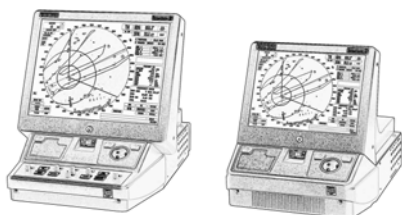
Kit Format Components



Keyboard		T65845600
Trackerball	Kit	T65821623
Memory Card I/F	Kit	T65821619

The above spares are appropriate for the following single channel processors
65800[T,U,R ,S, Y or Z][A or D][R,R,V or X] [E,F,G,H U,V,W or X]
the following dual channel processors
65818ZA[R,R,V or X] [E,F,G,H U,V,W or X]

Integral Format Components



Memory Card I/F	Integral	T65800602
Trackerball	Integral	T65800603
Keyboard		T65845600

The above spares are appropriate for the following single channel processors
65800[T,U,R ,S, Y or Z][A or D][R,R,V or X] [M,N,O,P, J,R,K or L]
the following dual channel processors
65818ZA[R,R,V or X] [N or P]
and the following EPA(L) processors
65800P[A or D][N or M] [A,B,C or D]