

SPERRY MARINE UK
Service Bulletin No. 38

Product: Decca BridgeMaster E Series Radars

Subject: Tokimec OEM versions

We supply Tokimec with an OEM version of the BridgeMaster E Radar. To date we have supplied approximately 20 systems and we expect this to grow significantly. The reference list below indicates the Type Number cross-reference list for the 6 standard systems we supply.

BR-3460CA-X28M ARPA 342/8/M/V7/TK

8' X Band Antenna, Turning Unit with integral 25kw X Band TX/RX & performance monitor. Colour ARPA 340 Display (deck standing), memory card map storage, trackerball and keyboard.

BR-3460CA-X28B ARPA 342/8/B/V7/TK

8' X Band Antenna, Turning Unit & performance monitor, bulkhead mounted 25kw X Band TX/RX, Colour ARPA 340 Display (deck standing), memory card map storage, trackerball and keyboard.

BR-3460CA-S312M ARPA 343/12/M/V7/TK

12' S Band Antenna, Turning Unit with integral 30kw S Band TX/RX & performance monitor, Colour ARPA 340 Display (deck standing), memory card map storage, trackerball and keyboard.

BR-3460CA-S312B ARPA 343/12/B/V7/TK

12' S Band Antenna, Turning Unit with integral 30kw S Band TX/RX & performance monitor, Colour ARPA 340 Display (deck standing), memory card map storage, trackerball and keyboard.

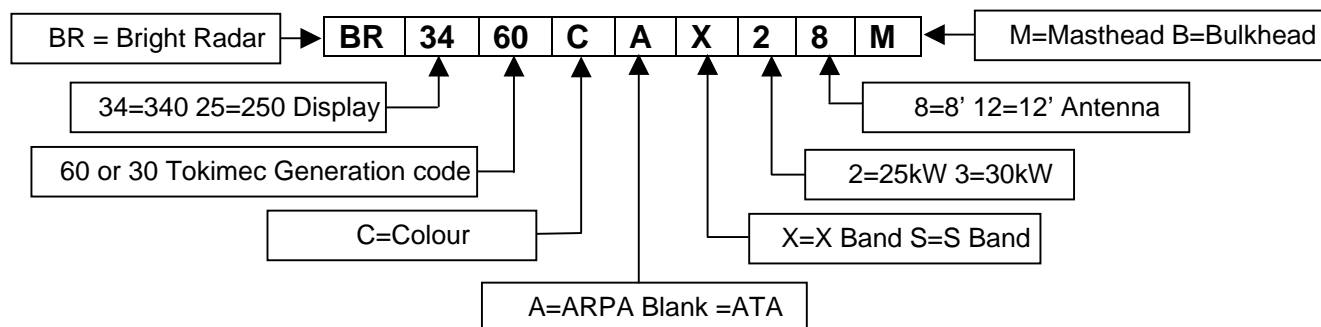
BR-2530C-X28M ATA 252/8M/V7/TK

8' X Band Antenna, turning Unit with integral 25kw X Band TX/RX & performance monitor. Colour ATA 250 Display (desktop), memory card map storage, trackerball and keyboard.

BR-2530C-S312M ATA 253/12M/V7/TK

12' S Band Antenna, Turning Unit with integral 30kw S Band TX/RX & performance monitor, Colour ATA 250 Display (desktop), memory card map storage, trackerball and keyboard.

Their labeling system is :



In addition there are the usual ancillary items such as Interswitch units etc.

The only difference between the OEM versions and the standard BME is the Badge and colour arrangements. All the part numbers of the system components are the same as for BME and in the case where the item has customised logos or colours the part number has a /TK suffix.

for example :

| | BME Part Number | Tokimec OEM Part Number |
|-----------------------|------------------------|--------------------------------|
| 8 foot X band Antenna | 65608/A | 65608/TK |

Important Note: The Display Text will most likely be set to Japanese. You can re-set the text to English in the Initialisation/System Configuration menu but remember to return it to Japanese before leaving the vessel.