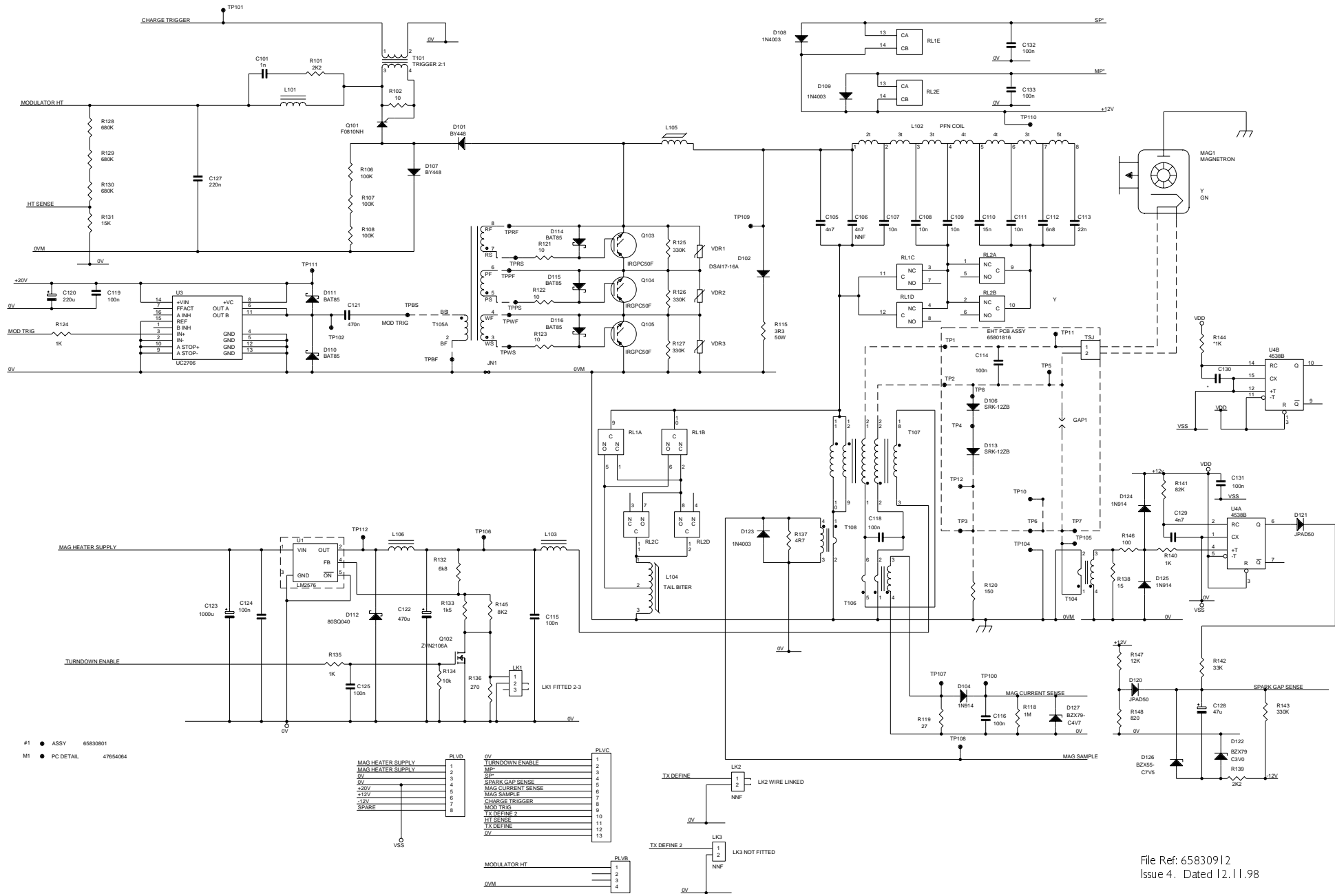


File Ref: 65801909
Issue 1, Dated 23.04.97

Figure 1.31 Circuit Diagram 65830909 - S-Band Transceiver Power Supply



File Ref: 65830912
Issue 4. Dated 12.11.98

Figure 1.32 Circuit Diagram 65830912 - S-Band Modulator Board (30kW)

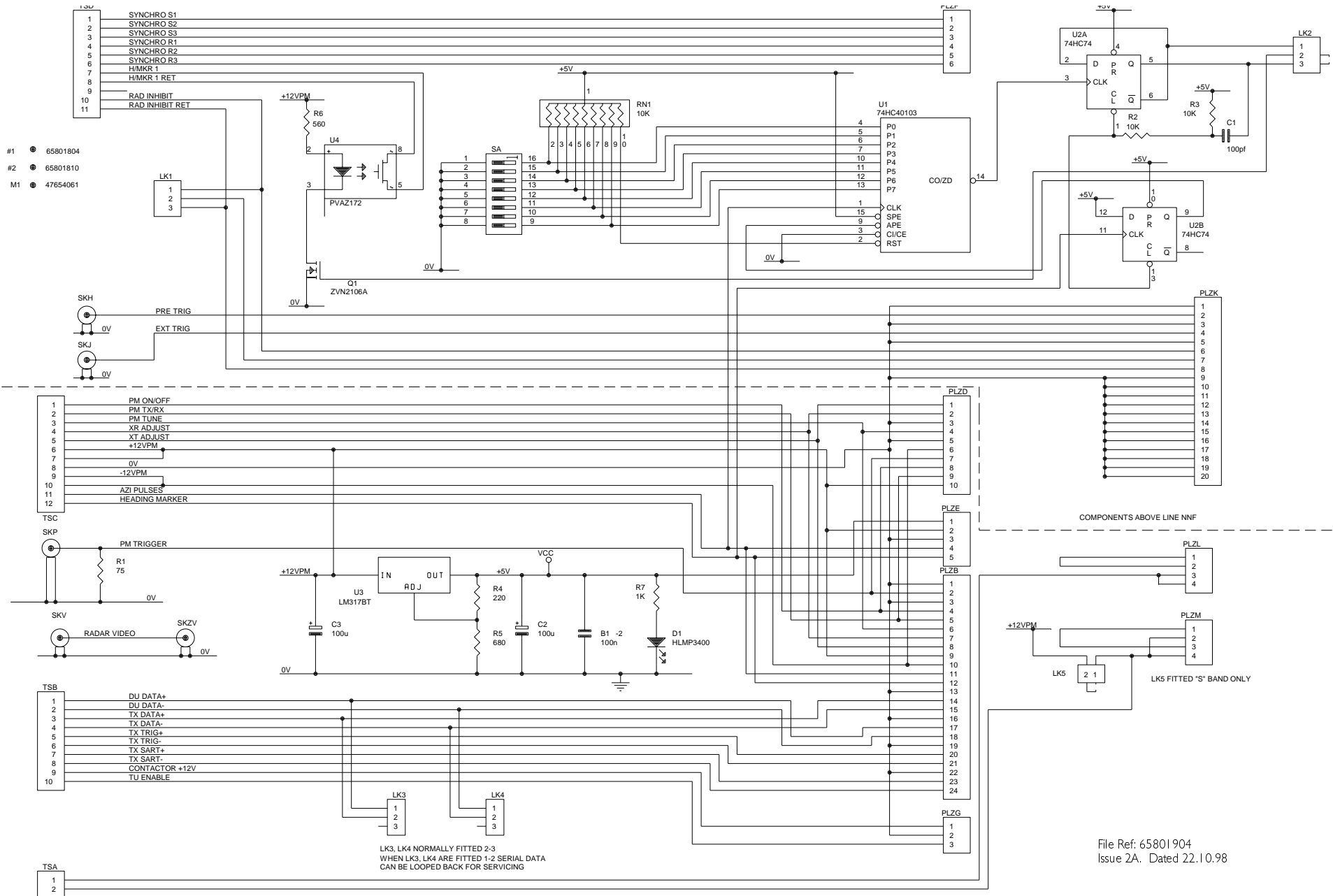


Figure 1.33 Circuit Diagram 65801904 - S-Band Input Board

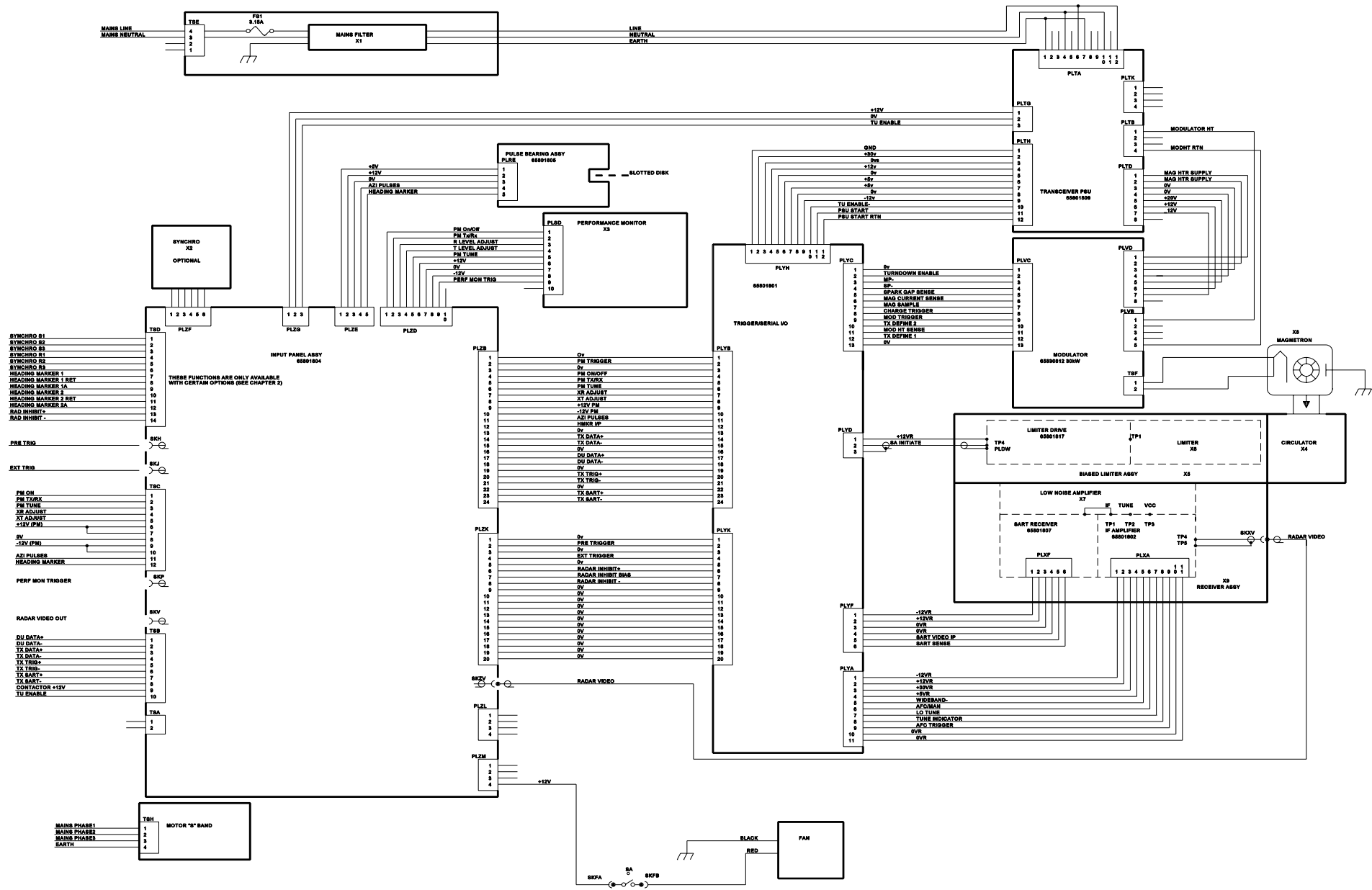


Figure 1-34 S-Band Turning Unit Schematic

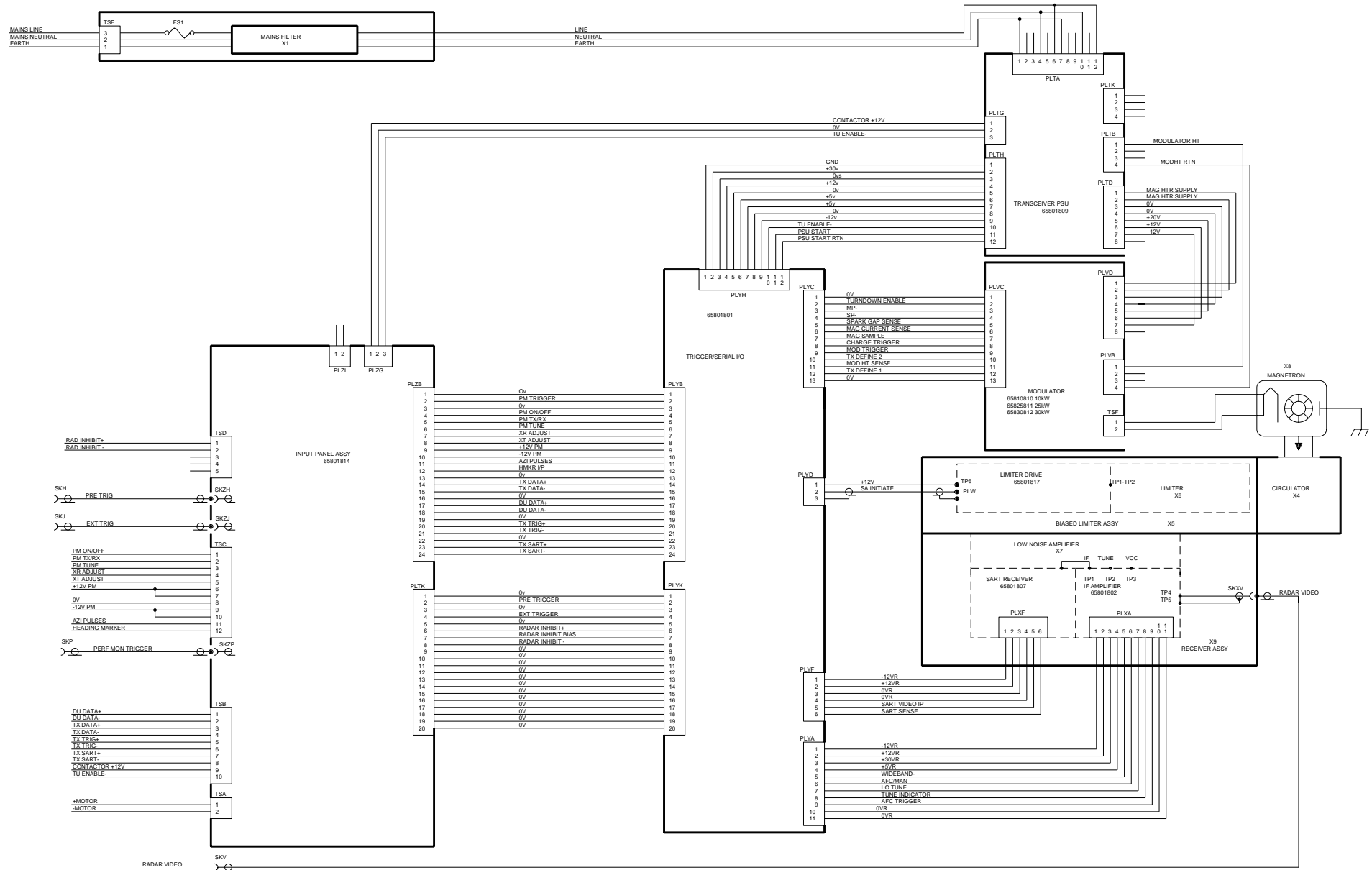


Figure 1.35 S-Band Bulkhead Transceiver Schematic

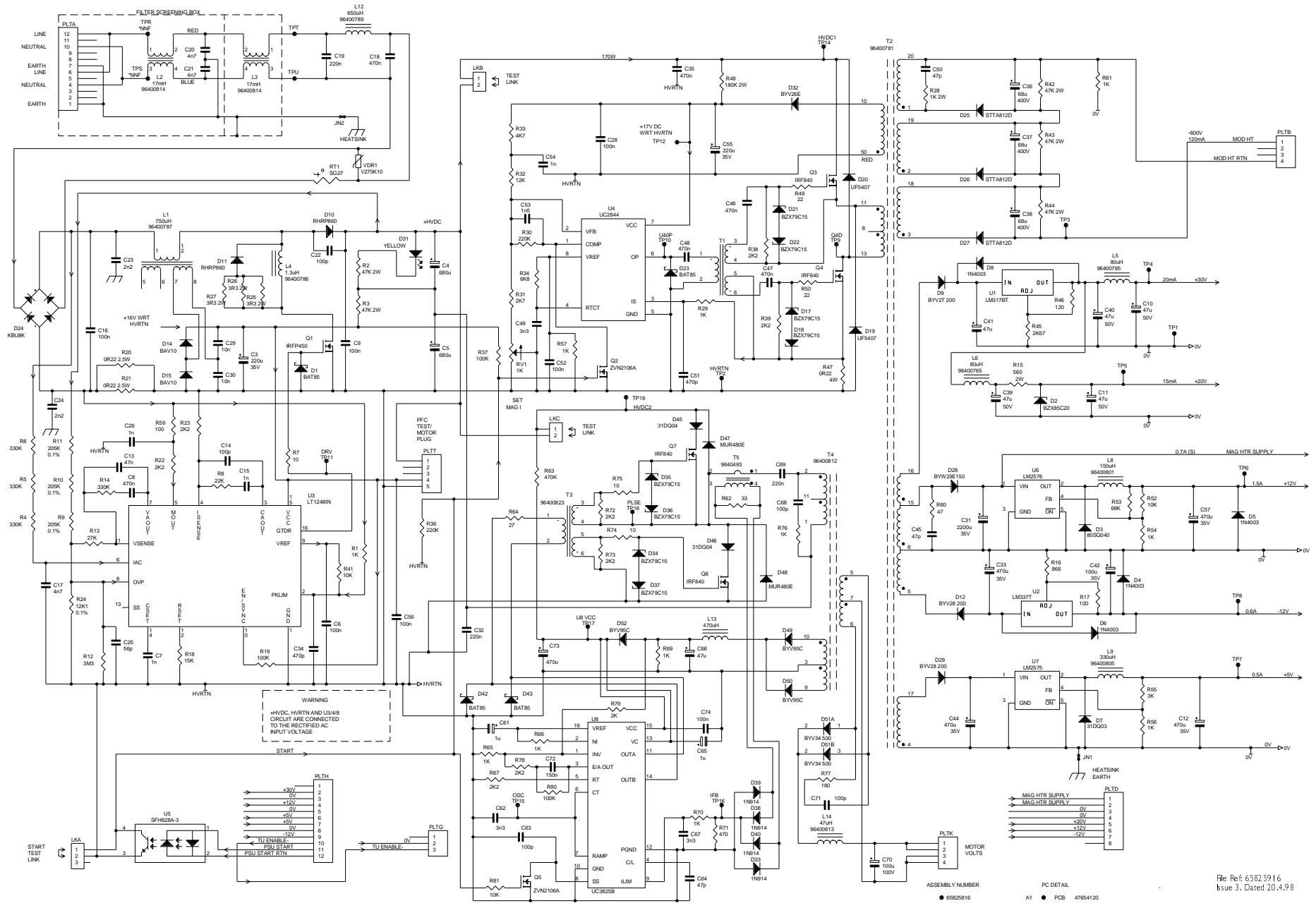
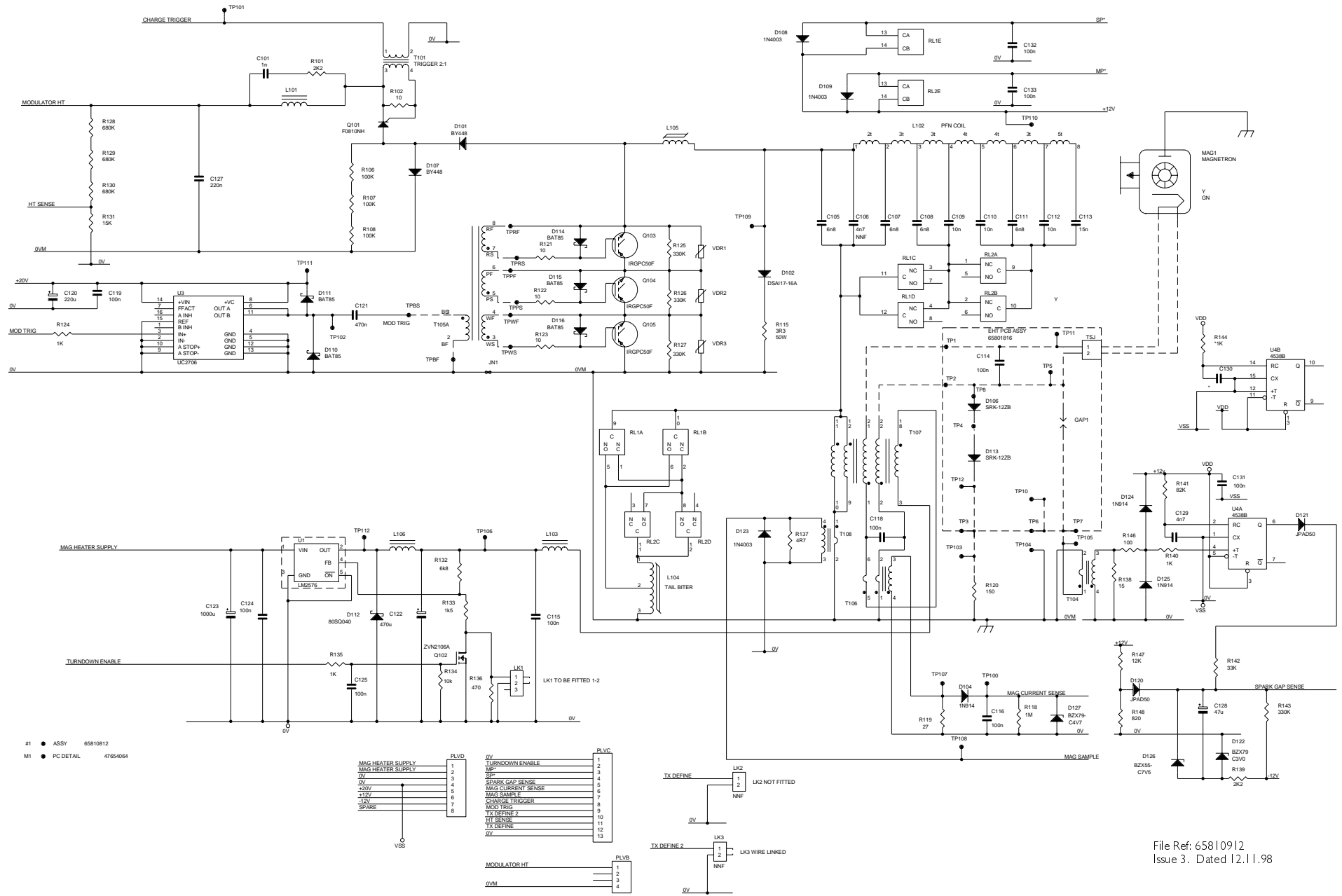


Figure 2.28 Circuit Diagram 65825916 - X-Band Transceiver Power Supply



File Ref: 65810912
Issue 3. Dated 12.11.98

Figure 2.29 Circuit Diagram 65810912 - X-Band Modulator Board (10kW)

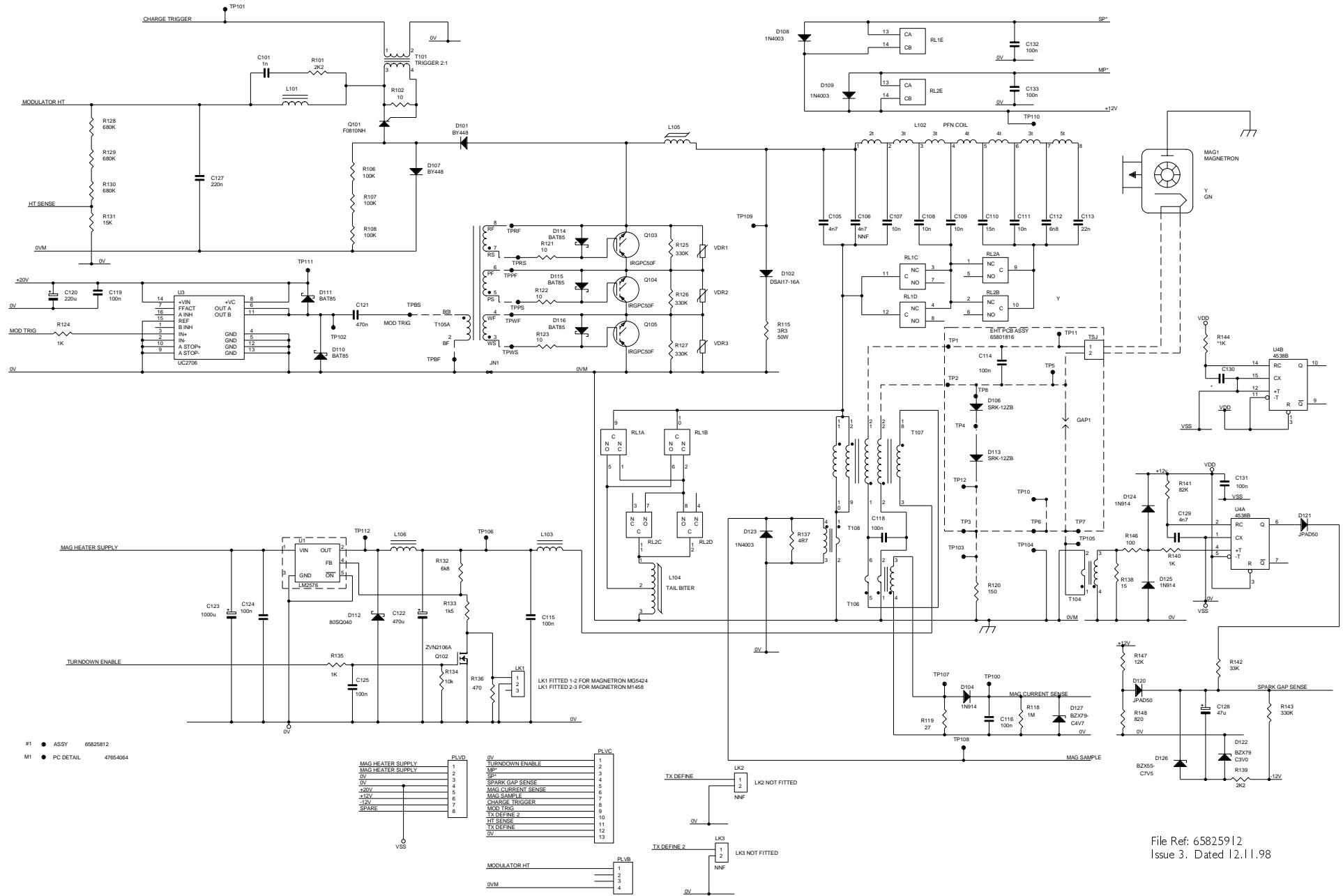


Figure 2.30 Circuit Diagram 65825912 - X-Band Modulator Board (25kW)

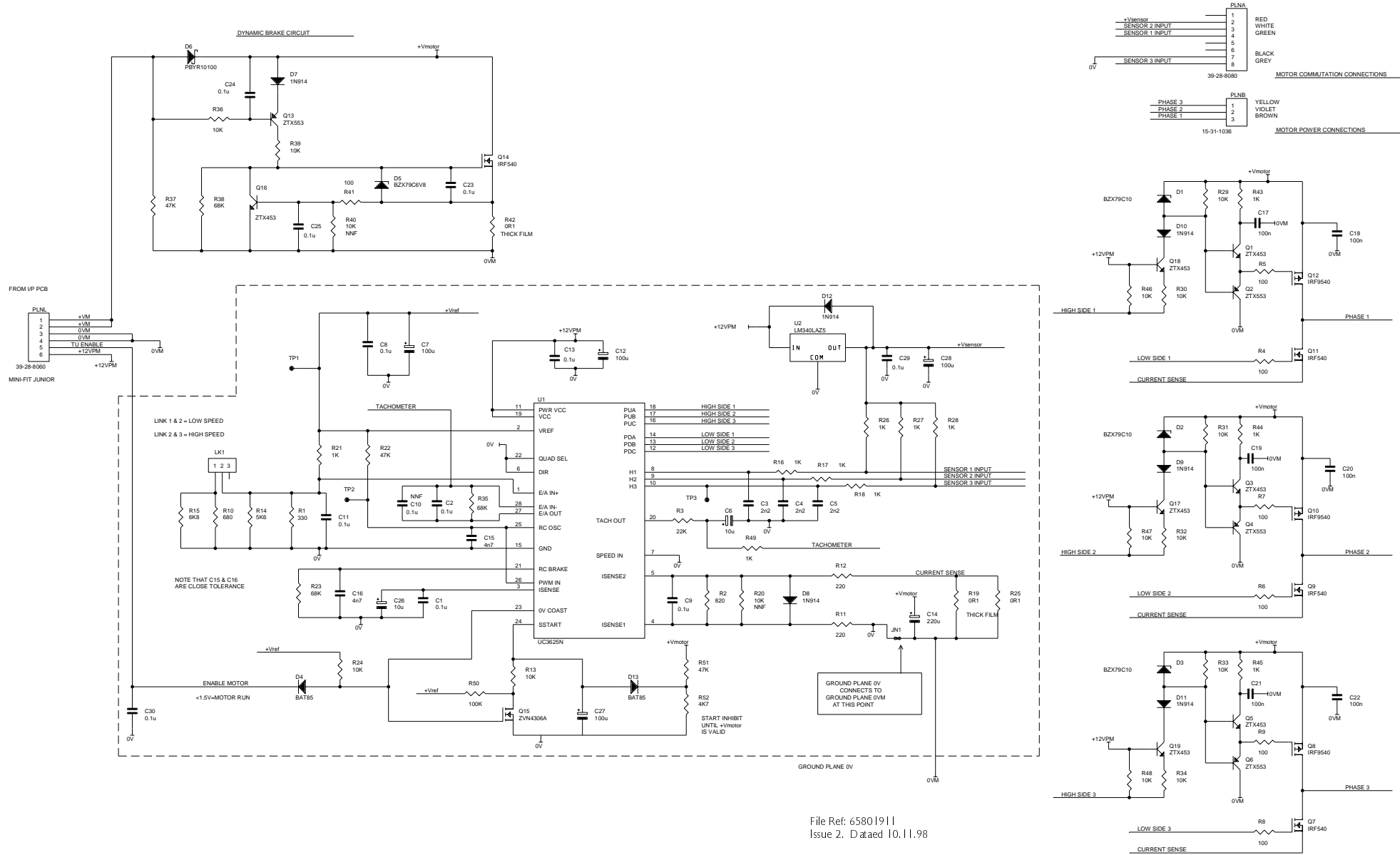


Figure 2.31 Circuit Diagram 65801911 - X-Band Motor Drive Board

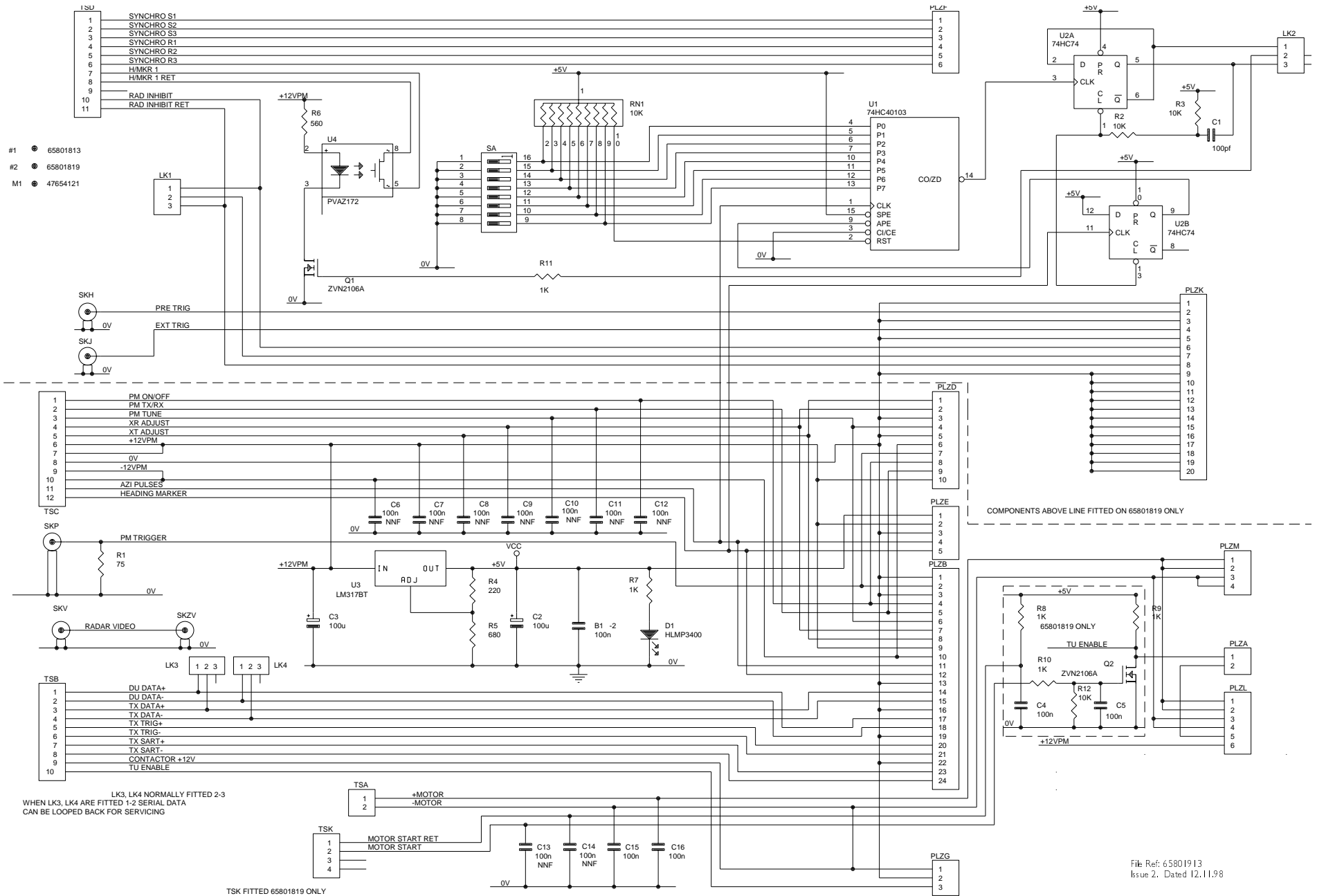
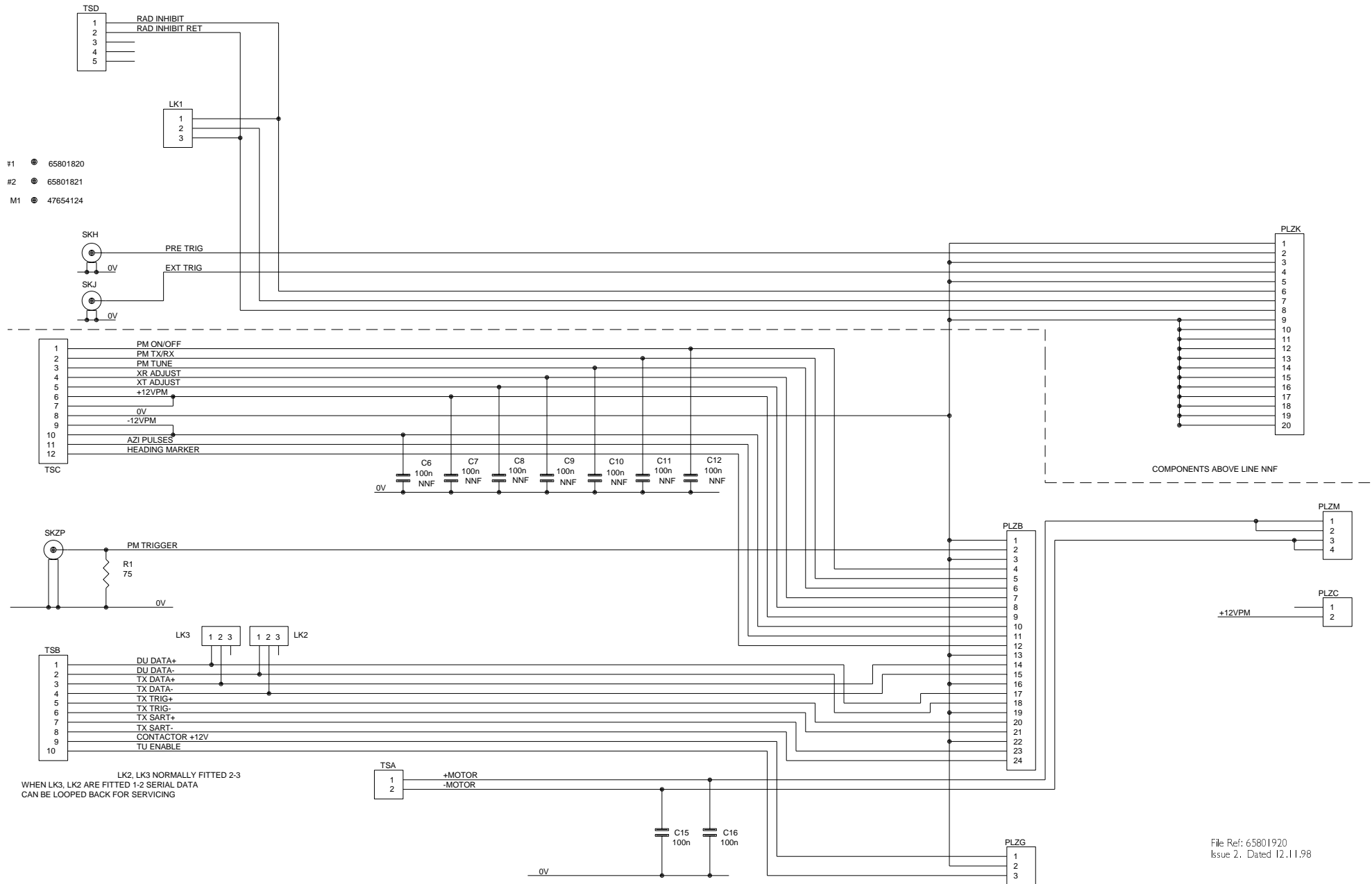
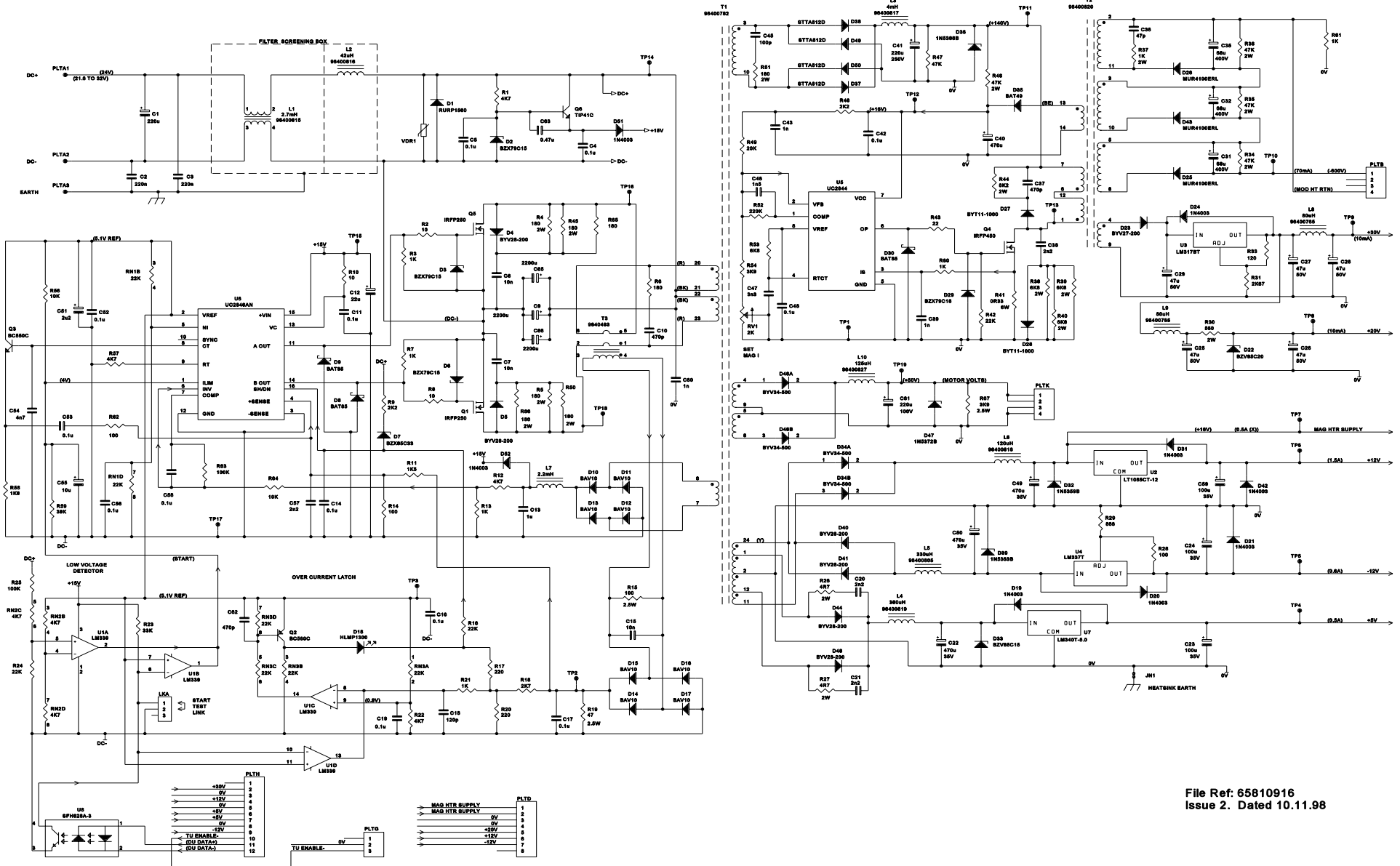


Figure 2.32 Circuit Diagram 65801913 - X-Band Masthead Input Board



File Ref: 65801920
Issue 2, Dated 12.11.98

Figure 2.33 Circuit Diagram 65801920 - X-Band Bulkhead Input Board



File Ref: 65810916
Issue 2. Dated 10.11.98

Figure 2.35 X-Band Transceiver DC Power Supply Board

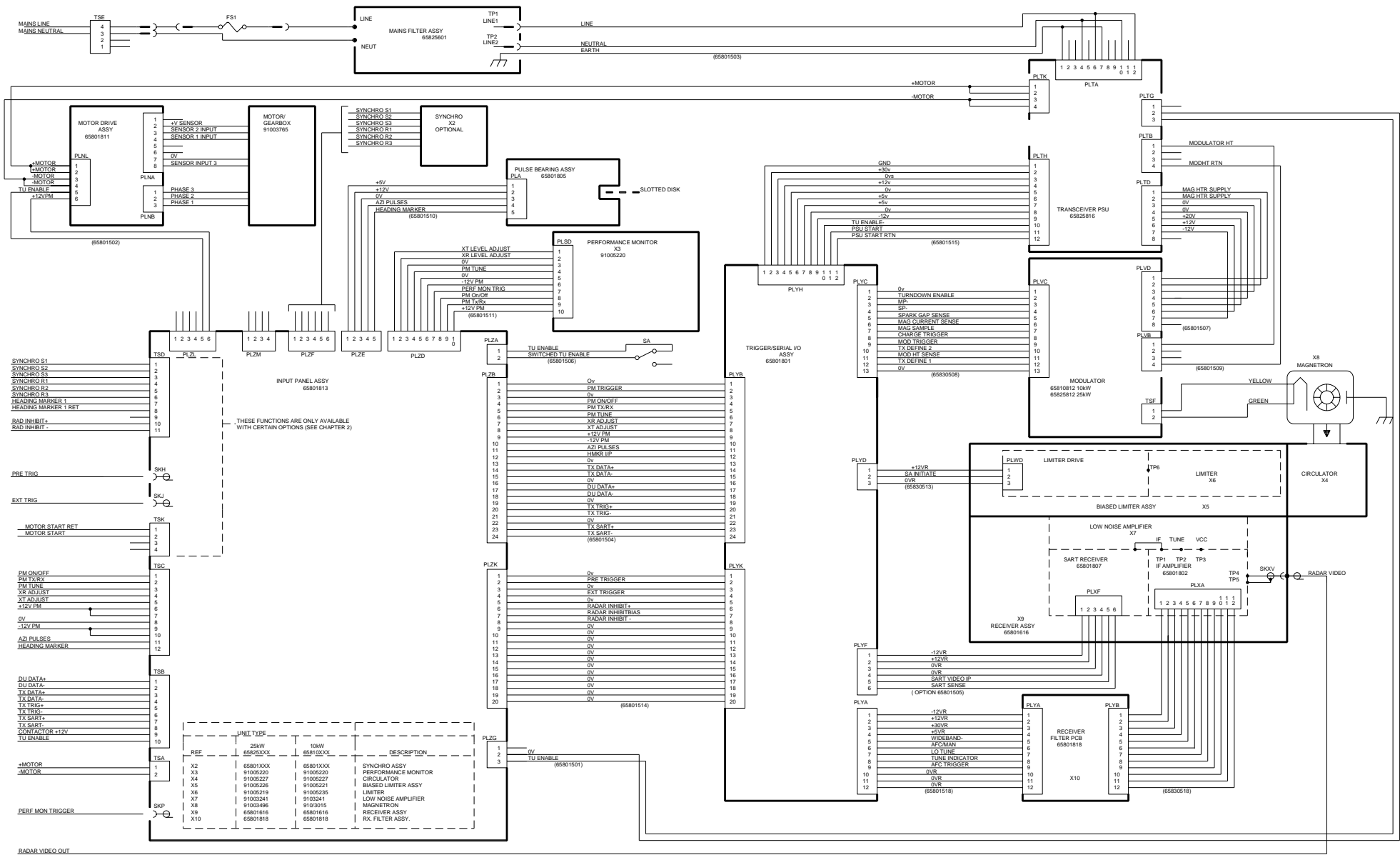


Figure 2.36 X-Band Turning Unit (Aloft) Schematic

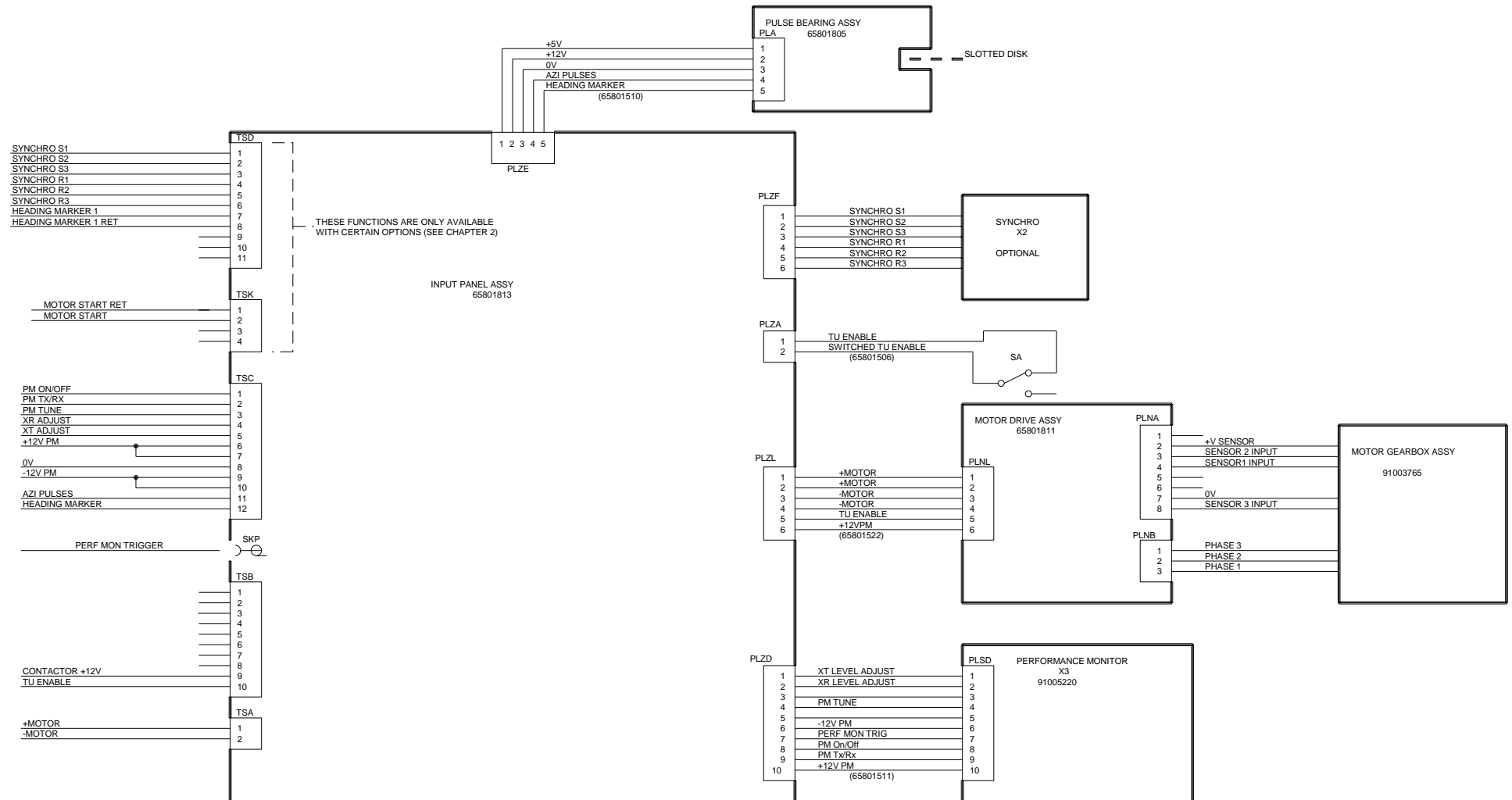


Figure 2.37 X-Band Turning Unit (Bulkhead) Schematic

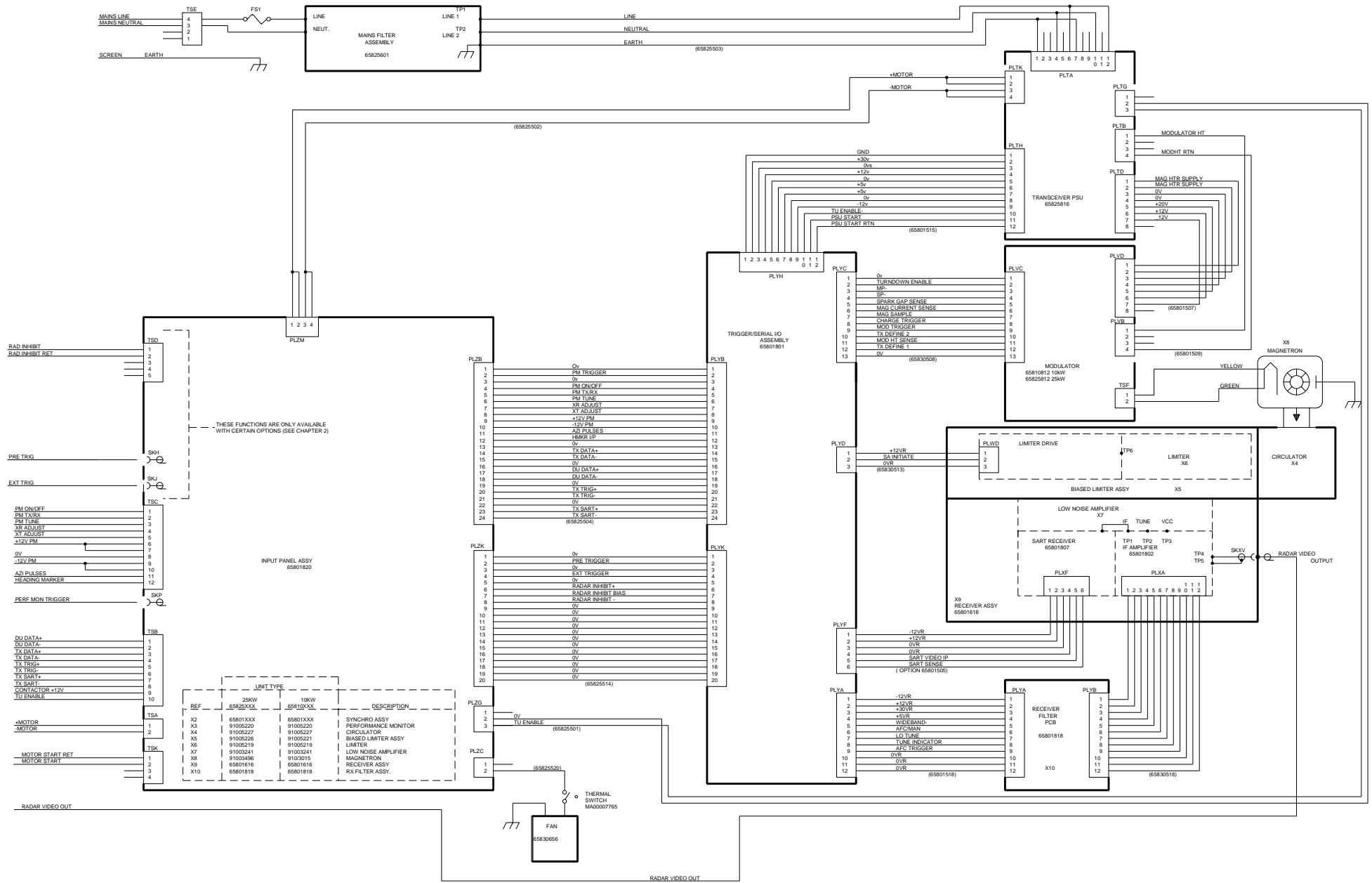
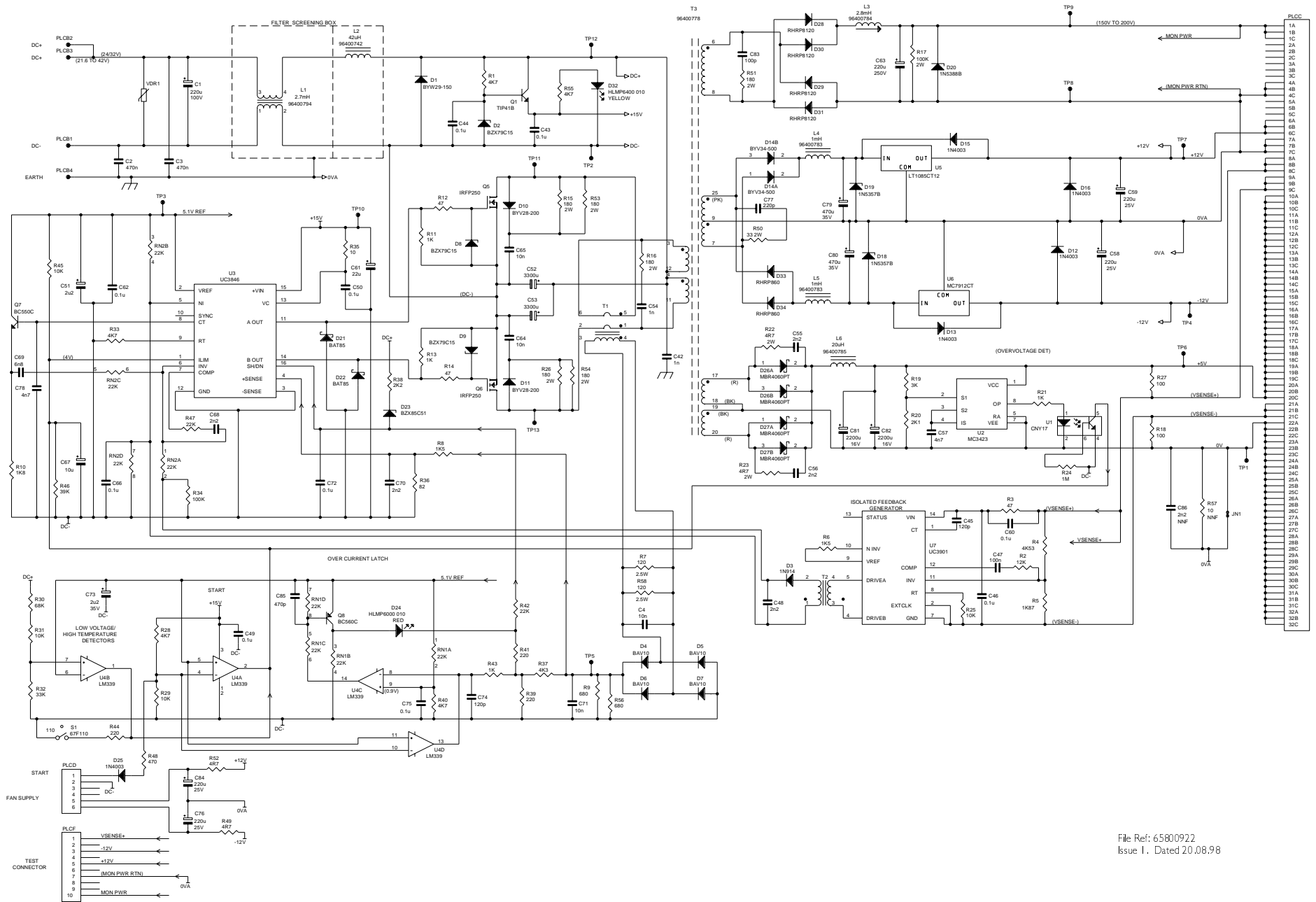
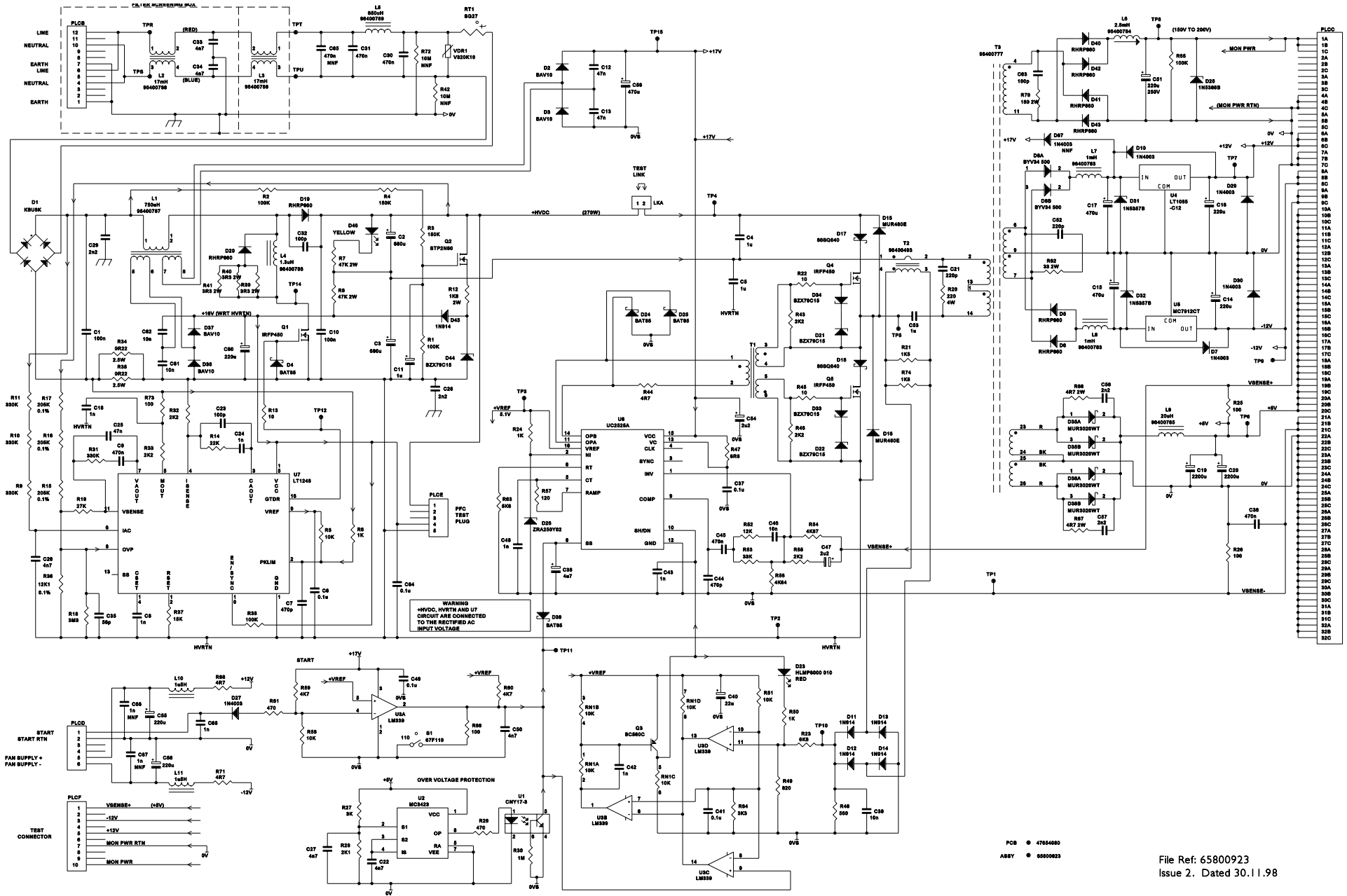


Figure 2.38 X-Band Transceiver Schematic



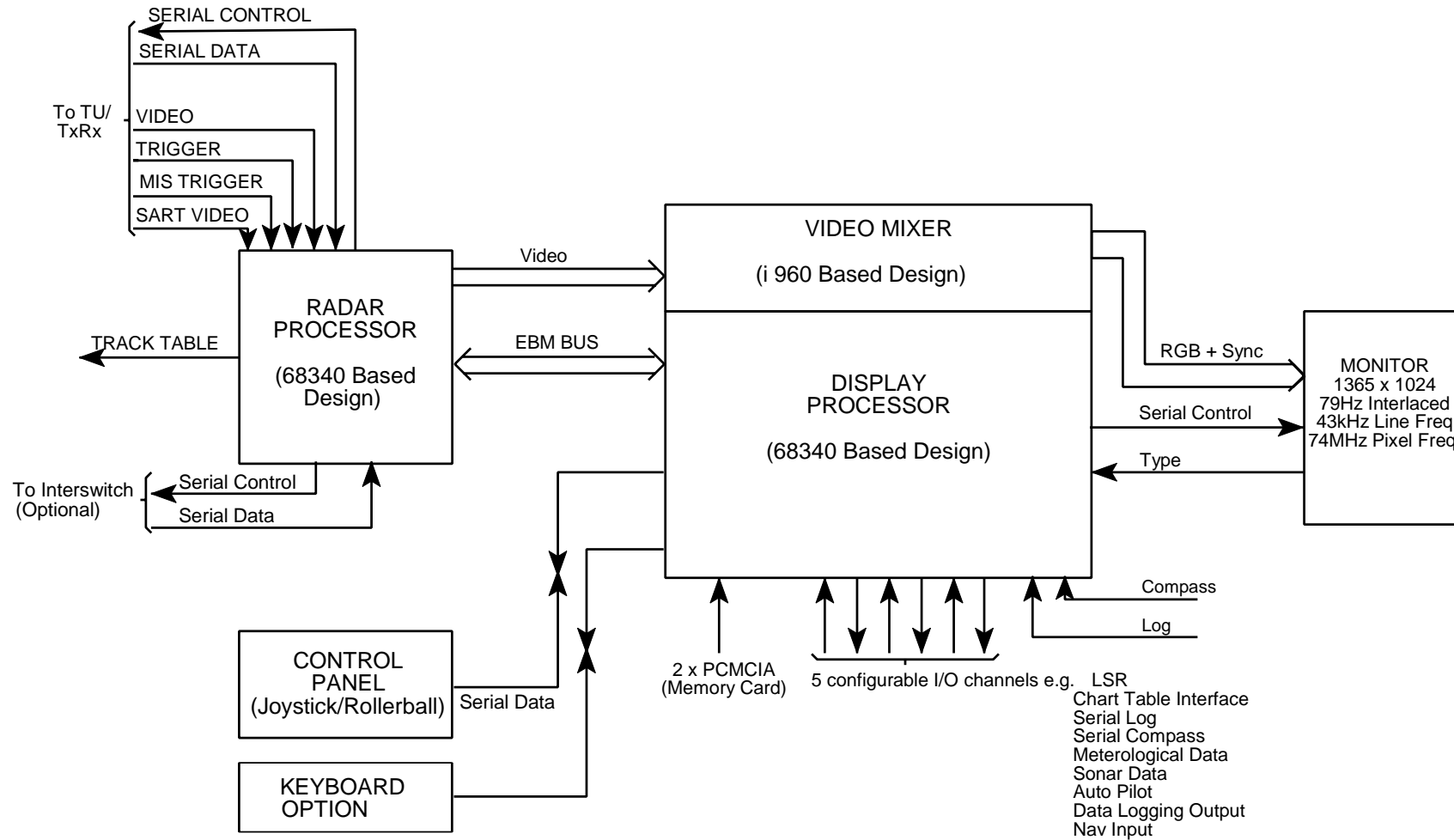
File Ref: 65800922
Issue 1. Dated 20.08.98

Figure 3.9 Circuit Diagram 65800922 - Display PSU (DC)



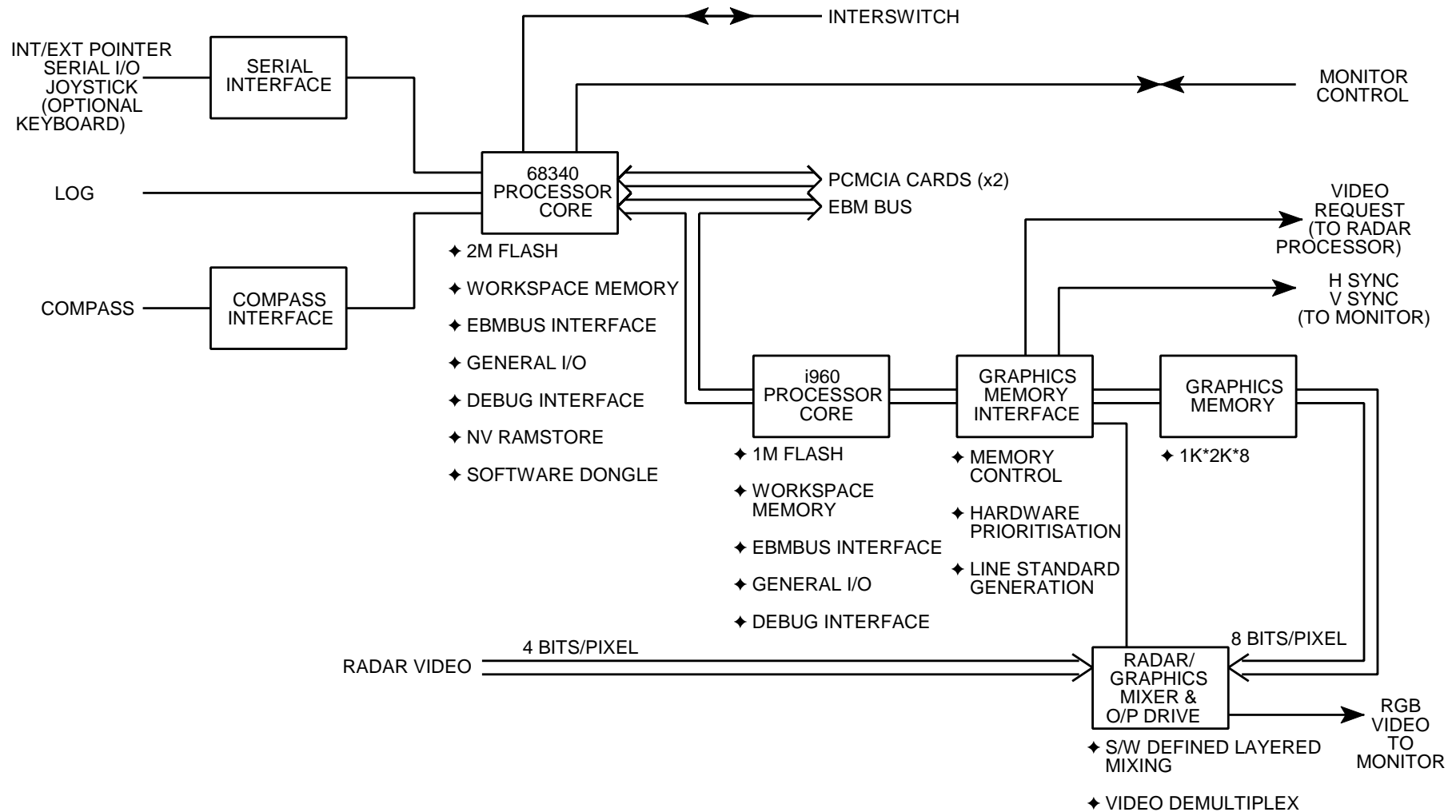
PCB ● 47664080
 ASBY ● 65800923
 File Ref: 65800923
 Issue 2. Dated 30.11.98

Figure 3.10 Circuit Diagram 65800923 - Display PSU (AC)



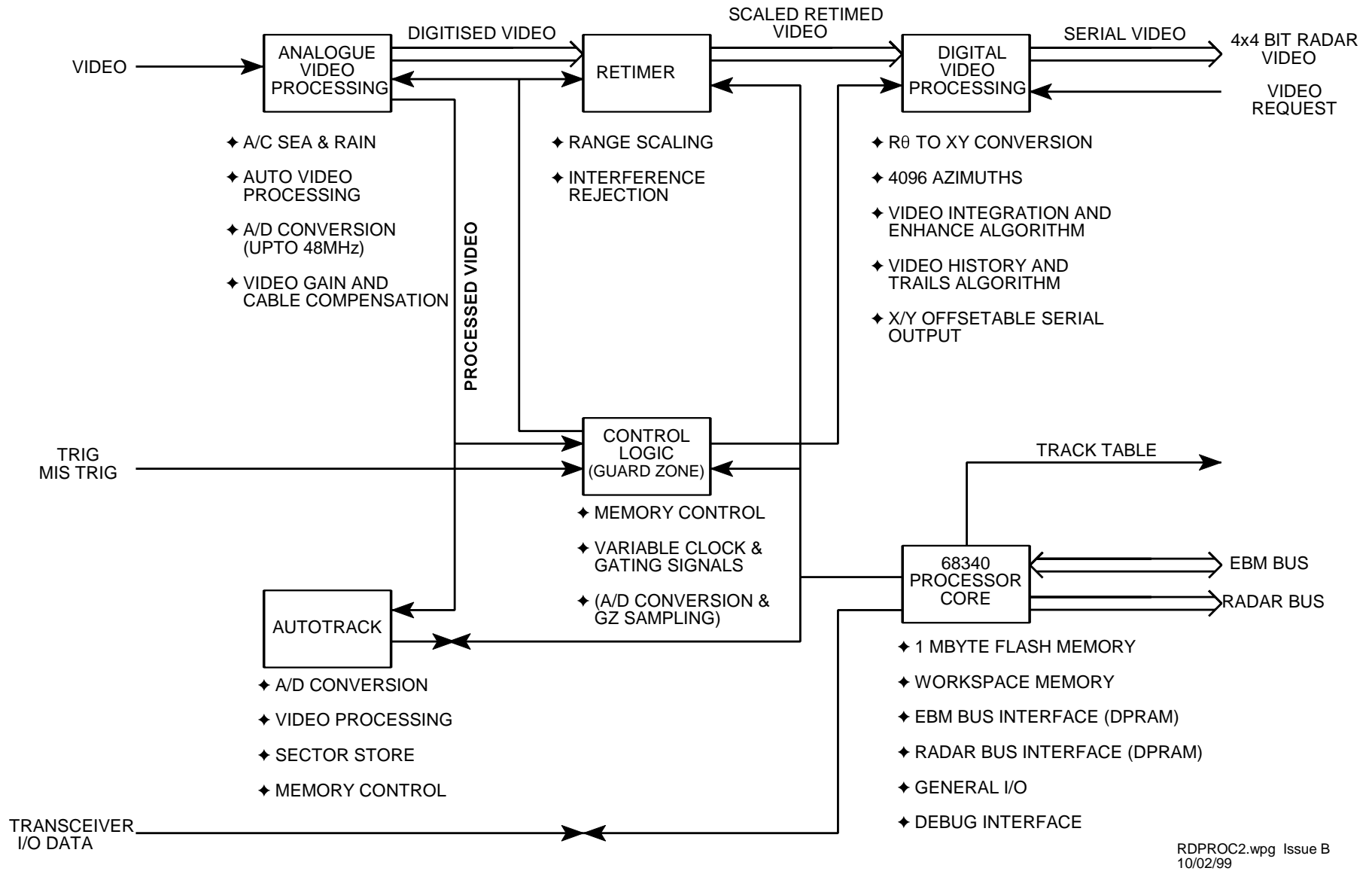
BASIC2.wpg Issue B
10/02/99

Figure 4.4 Basic 180, 250 and 340 Displays - Block Diagram



DISPROC2.wpg Issue B
10/02/99

Figure 4.5 Display Processor - Block Diagram



RDPROC2.wpg Issue B
10/02/99

Figure 4.6 Radar Processor - Block Diagram

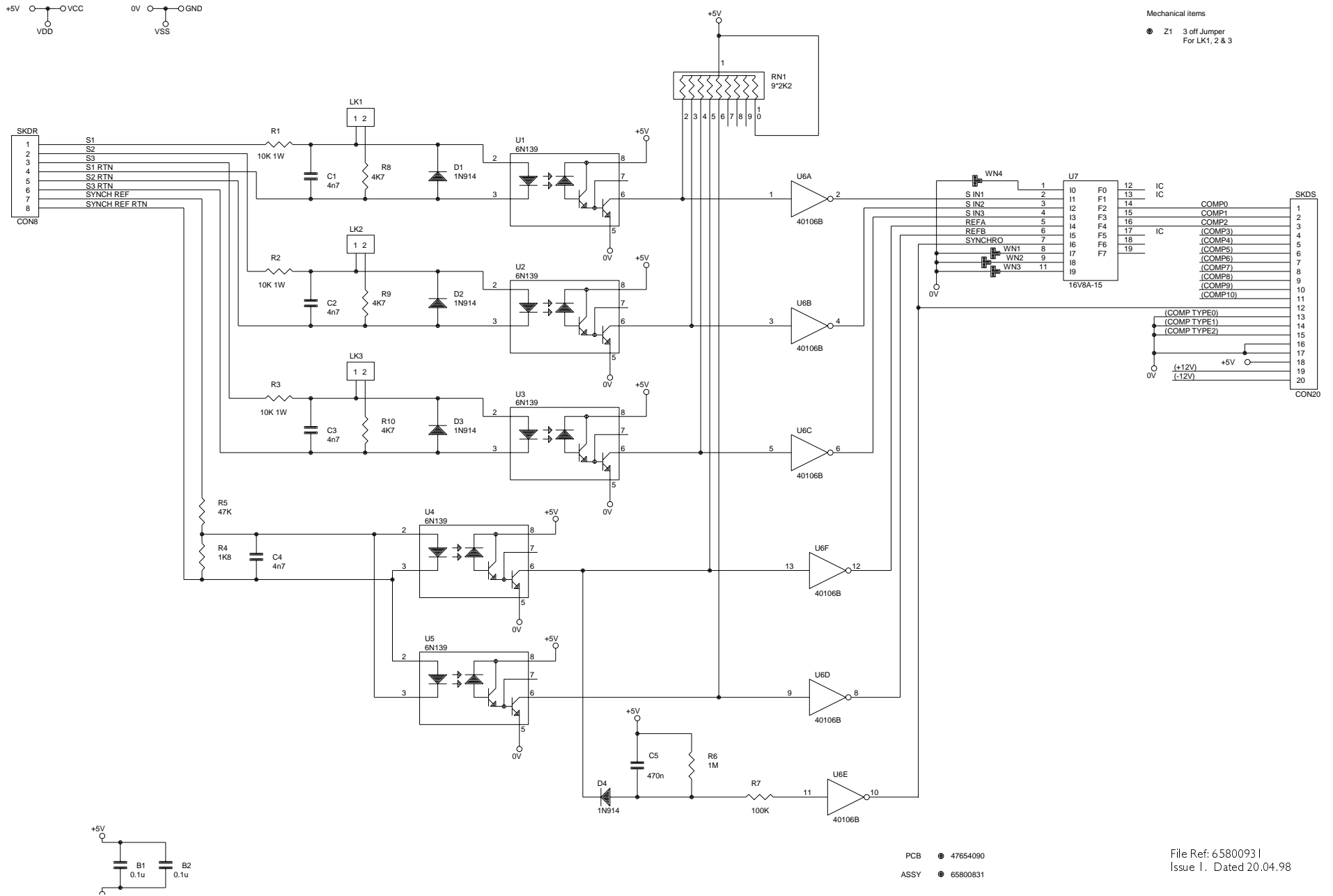


Figure 4.7 Circuit Diagram 65800931 - Compass Board (Standard)

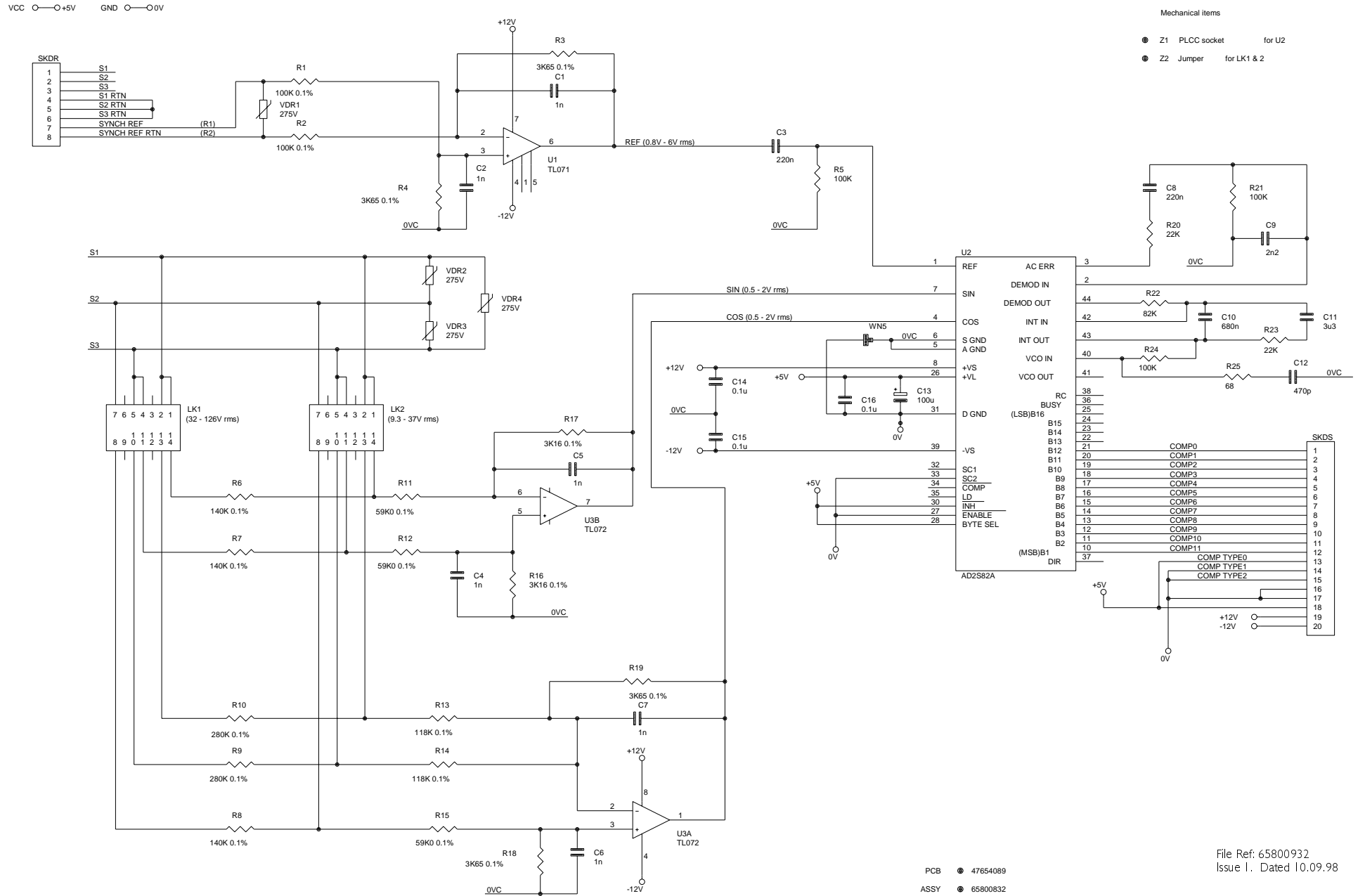
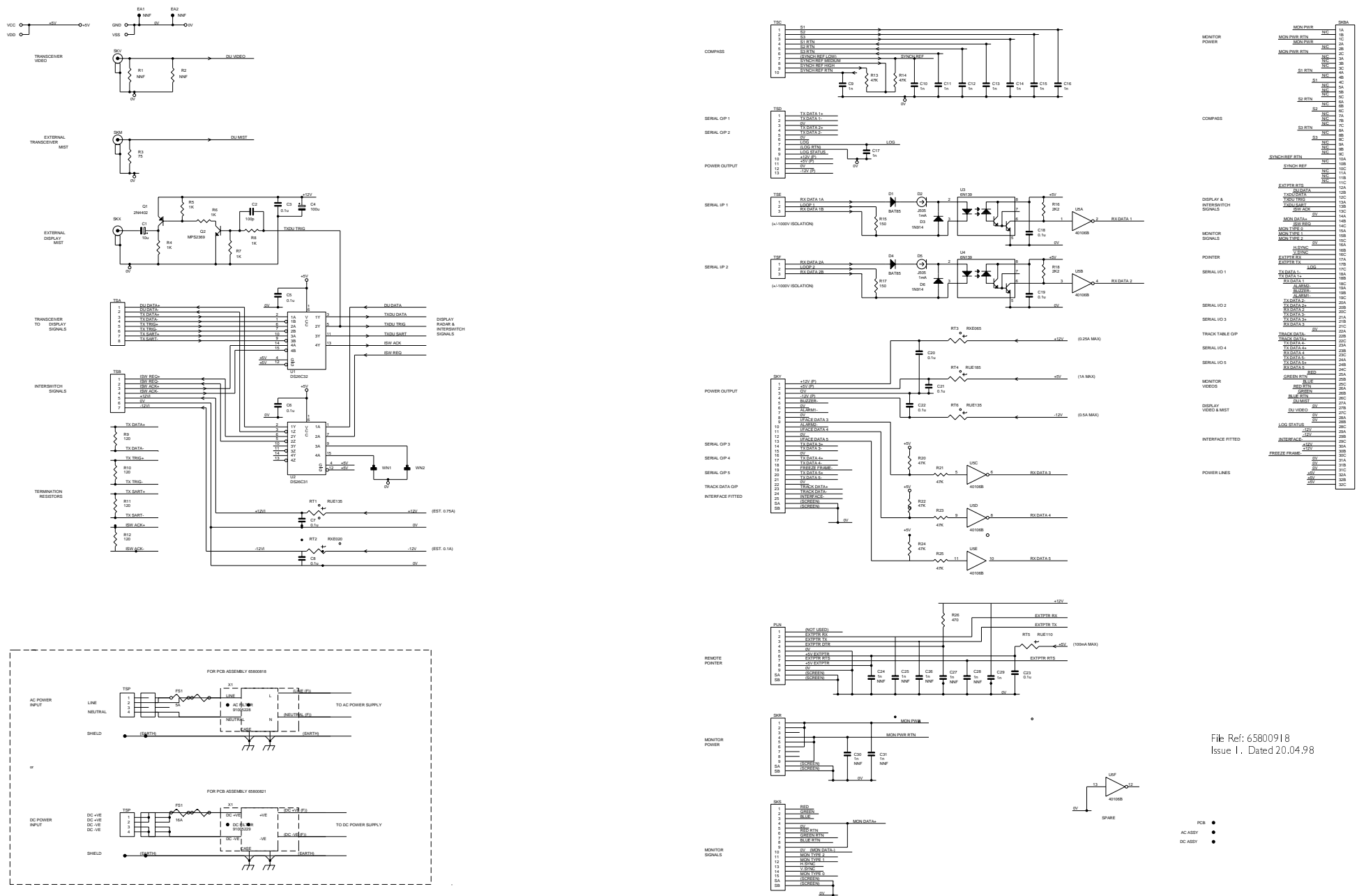


Figure 4.8 Circuit Diagram 65800932 - Compass Board (Synchro)



File Ref: 65800918
Issue 1, Dated 20.04.98

Figure 4.9 Circuit Diagram 65800918 - Input/Output (I/O) Board

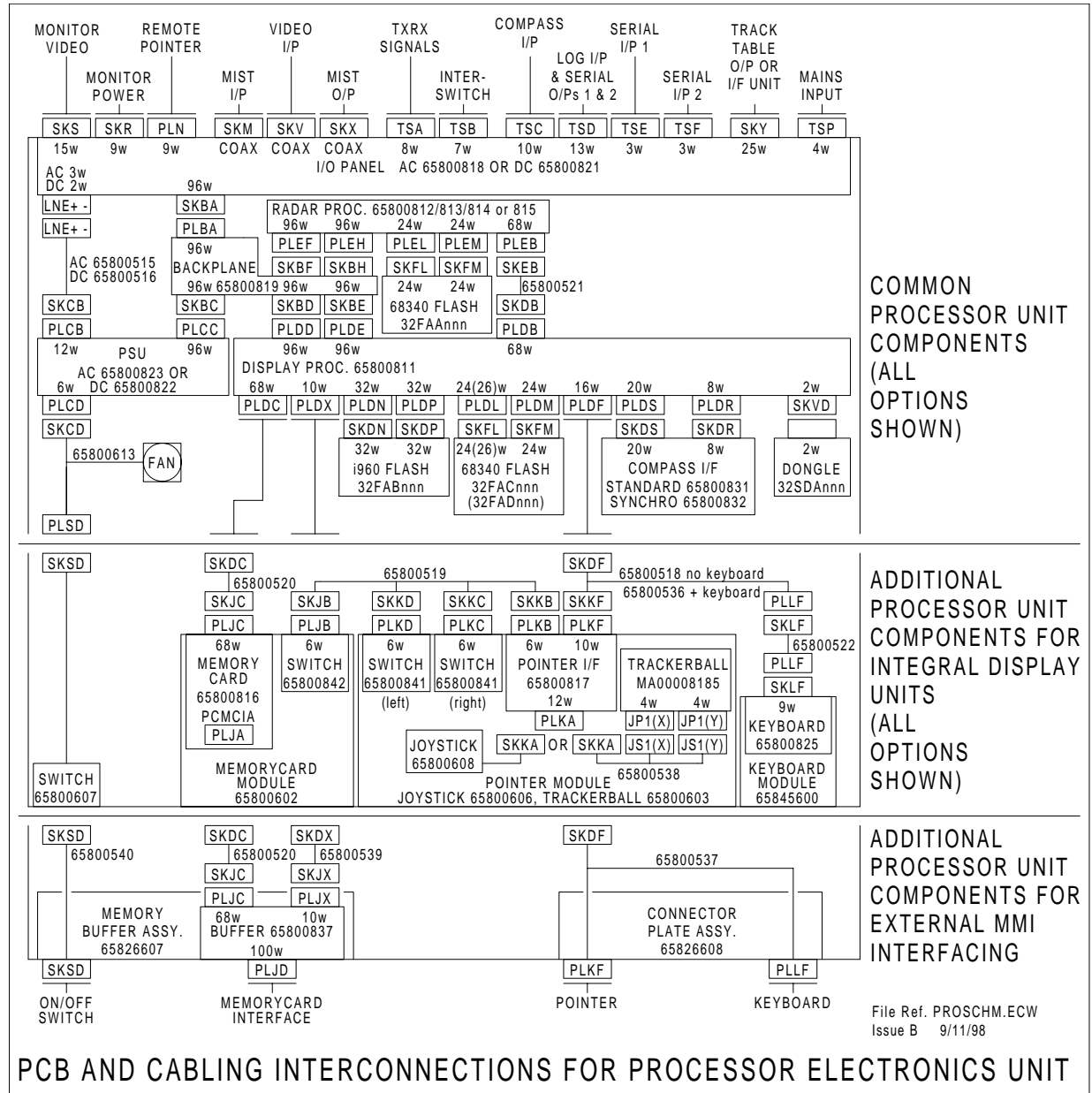


Figure 4.11 Interconnection Diagram - Processor Electronics Unit