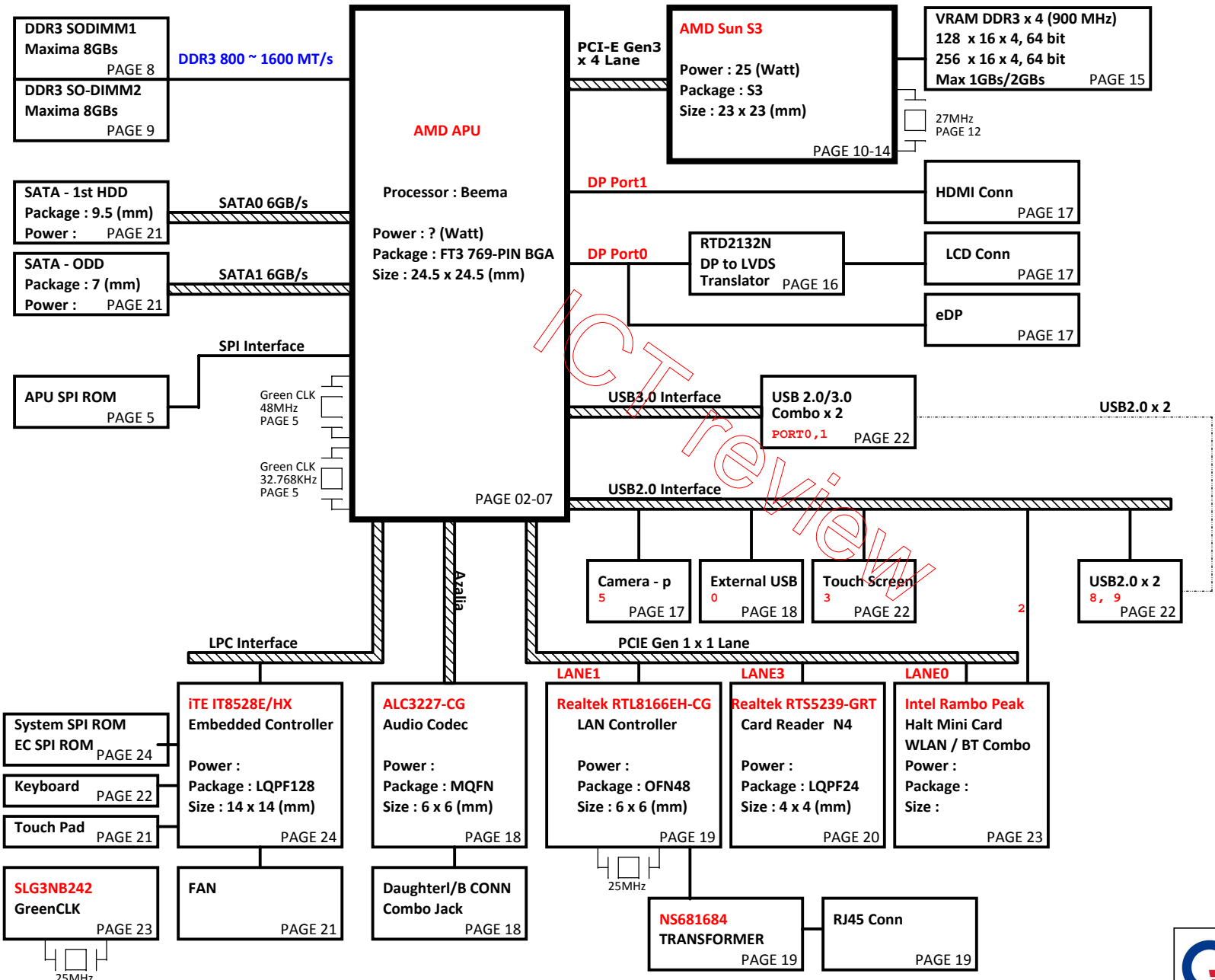


Lean G_AMD Beema DIS/UMA (14"/15.6")

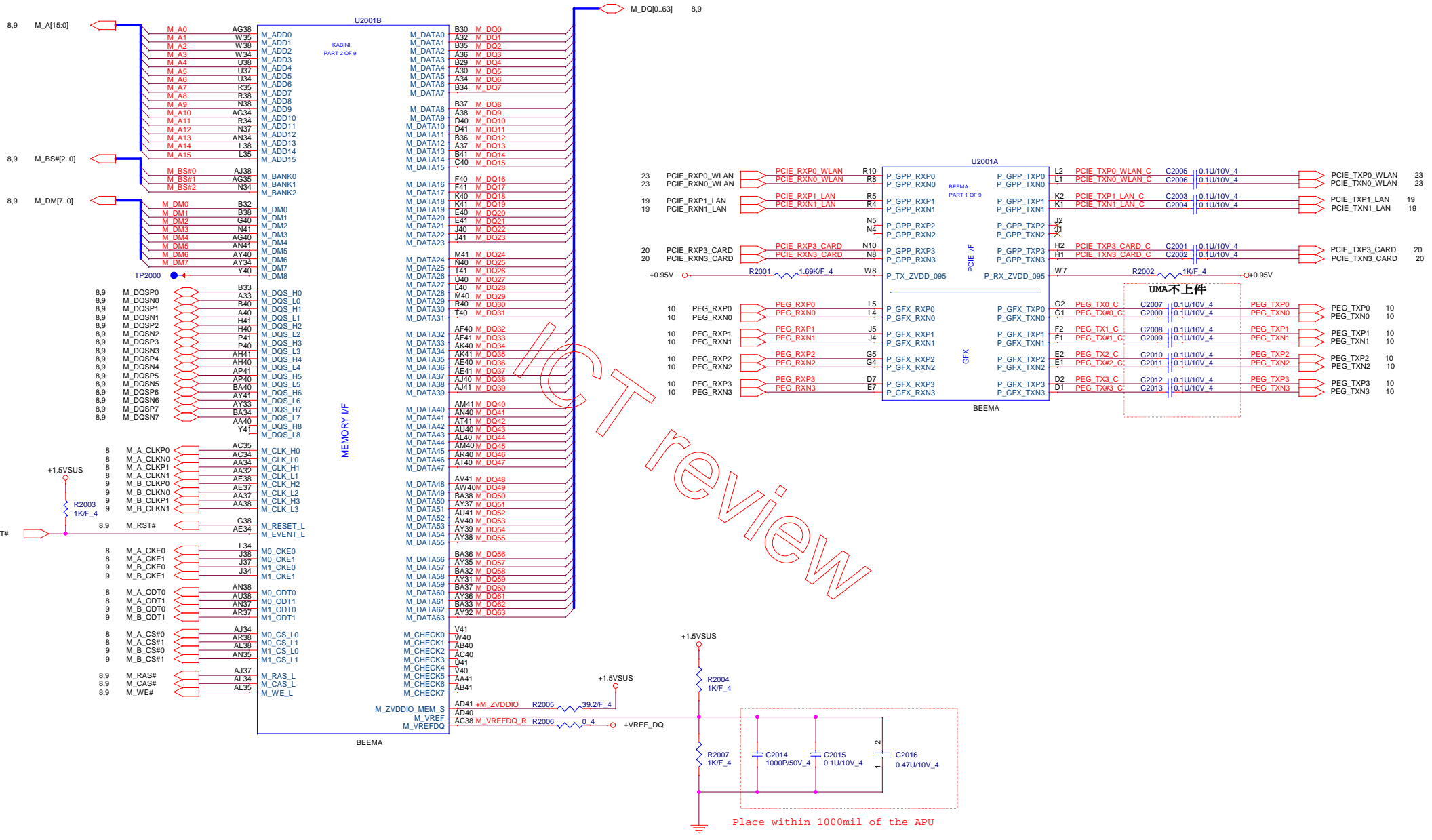
Ultra/Slim



PCB 6L STACK UP

LAYER 1 : TOP
LAYER 2 : SGND
LAYER 3 : IN1(High)
LAYER 4 : IN2(Low)
LAYER 5 : SVCC
LAYER 6 : BOT

- Power Source**
- TI BQ24728**
System Charge Power (+BATCHG)
PAGE 25
 - Ricteck RT8223PZ**
System Power (+3VPCU/+5VPCU/
+3VSS/+5VSS)
PAGE 26
 - AOZ1237QI/APW8824CTI/G9183**
KABINI Power (+0.95V/+0.95VSS
/+1.5VSS)
PAGE 27
 - TI TPS51216**
System Memory Power (+1.5VSSUS/
+0.75V_DDR_VTT)
Ricteck RT8068A
KABINI Power (+1.8VSS)
PAGE 28
 - Intersil ISL6277HRTZ/ISL6208BCRZ**
Processor Power (+VCC_CORE/
+VDDNB_CORE)
PAGE 29~30
 - GMT G5934RZ1U**
System Discharge Power
(+1.5V/+3V/+5V)
(+3VSSUS/+3VLANVCC/+1.8V)
PAGE 31
 - On-semi ADP3211A**
VGA Power (+VGA_CORE)
PAGE 32
 - Ricteck RT8086A**
DGPU Power (+1.0V_VGA/+3V_VGA
/+1.5V_VGA/+1.8V_VGA/)
PAGE 33

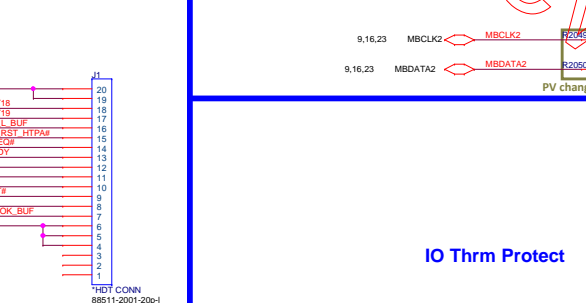
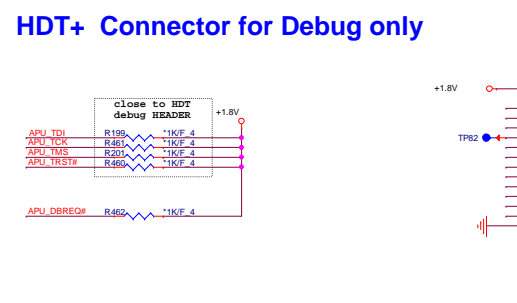
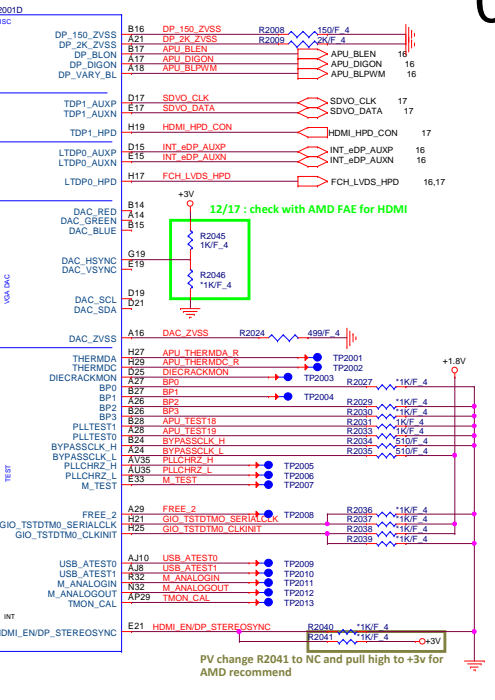
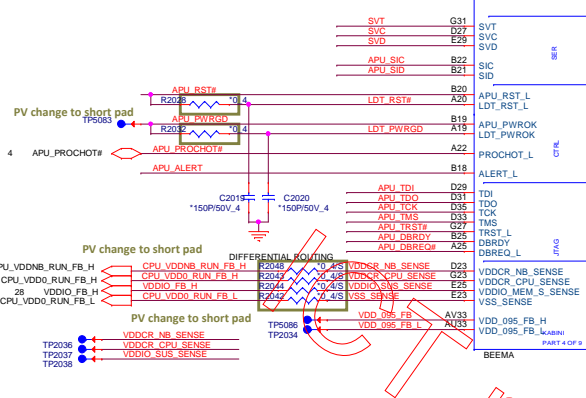
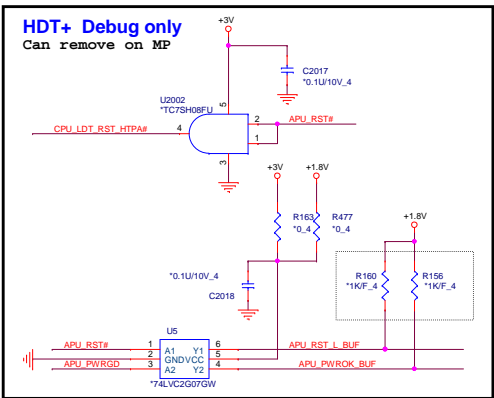
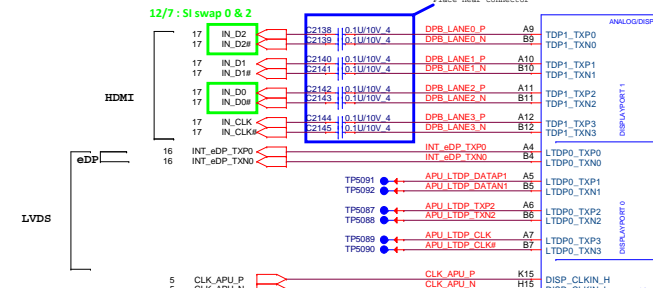
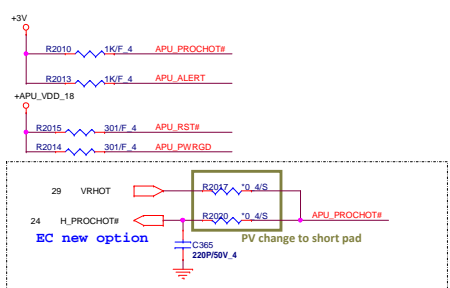


IC T review

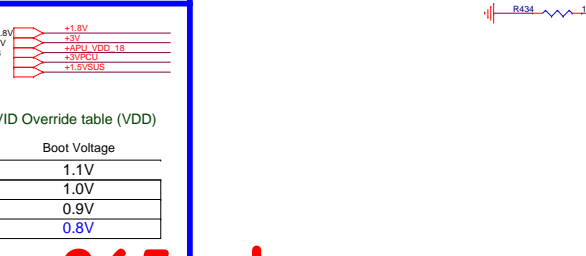
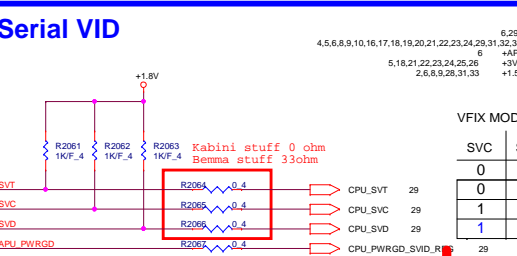
Place within 1000mil of the APU

6,8,9,28,31,33	+1.5VSUS	
8,9	+VREF_DQ	
5,6,27	+0.95V	

	INT PROJECT :U99 Quanta Computer Inc.		Rev 1A
	Size Document Number MEM/PCIE (1/6)	Date: Monday, May 19, 2014 Sheet 2 of 33	



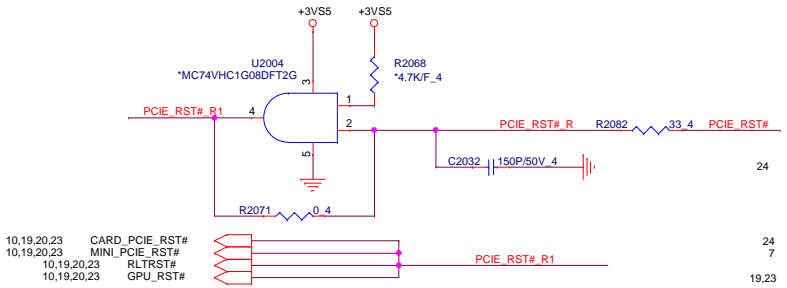
Thermal Sensor



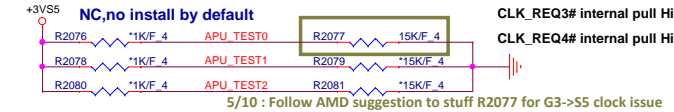
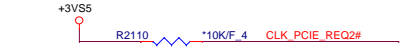
IO Thrm Protect

VFIX MODE VID Override table (VDD)

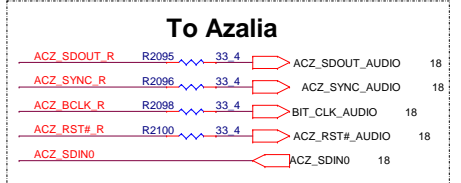
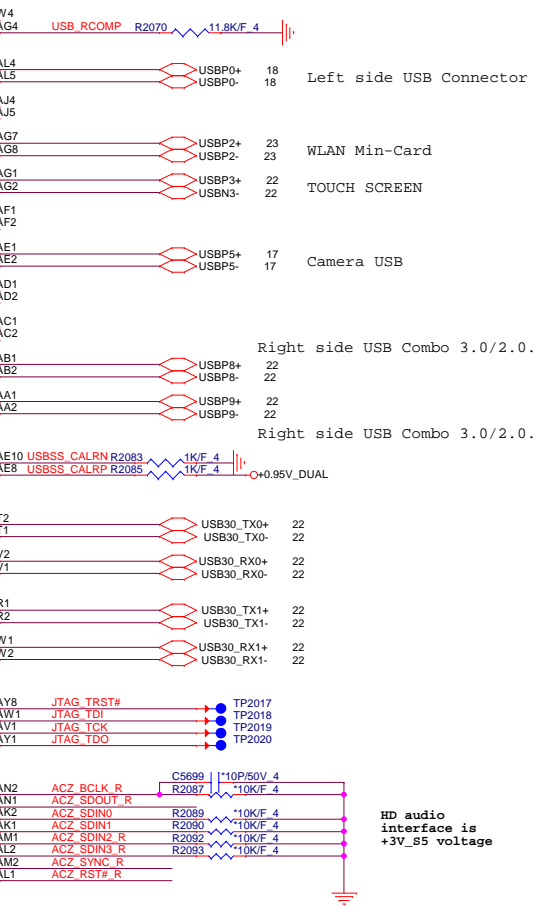
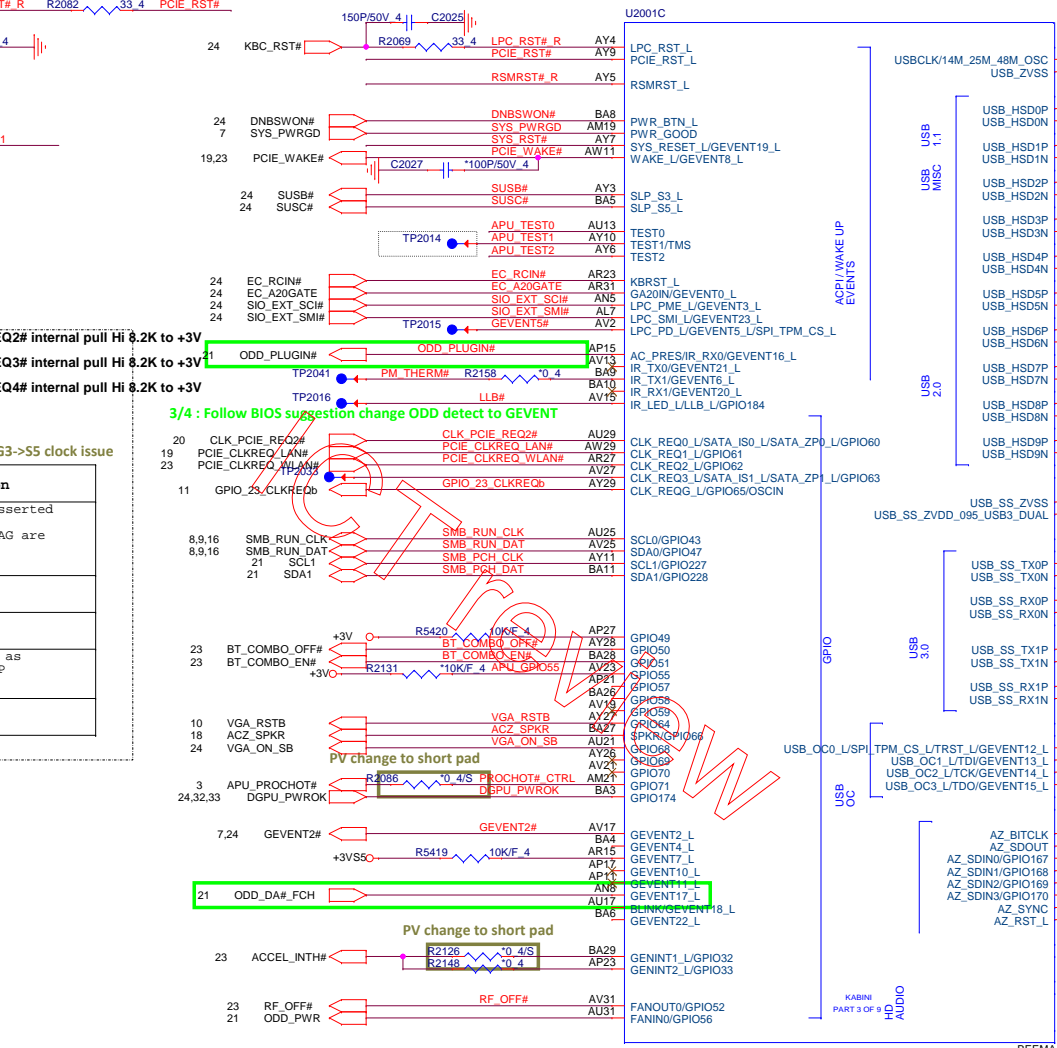
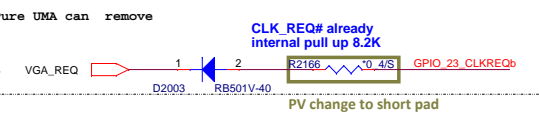
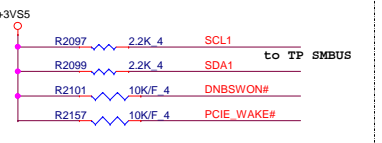
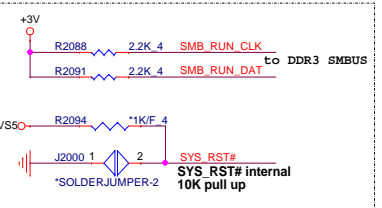
SVC	SVD	Boot Voltage
0	0	1.1V
0	1	1.0V
1	0	0.9V
1	1	0.8V



10,19,20,23 CARD_PCIE_RST#
 10,19,20,23 MINI_PCIE_RST#
 10,19,20,23 RLTRST#
 10,19,20,23 GPU_RST#



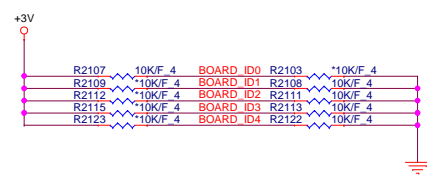
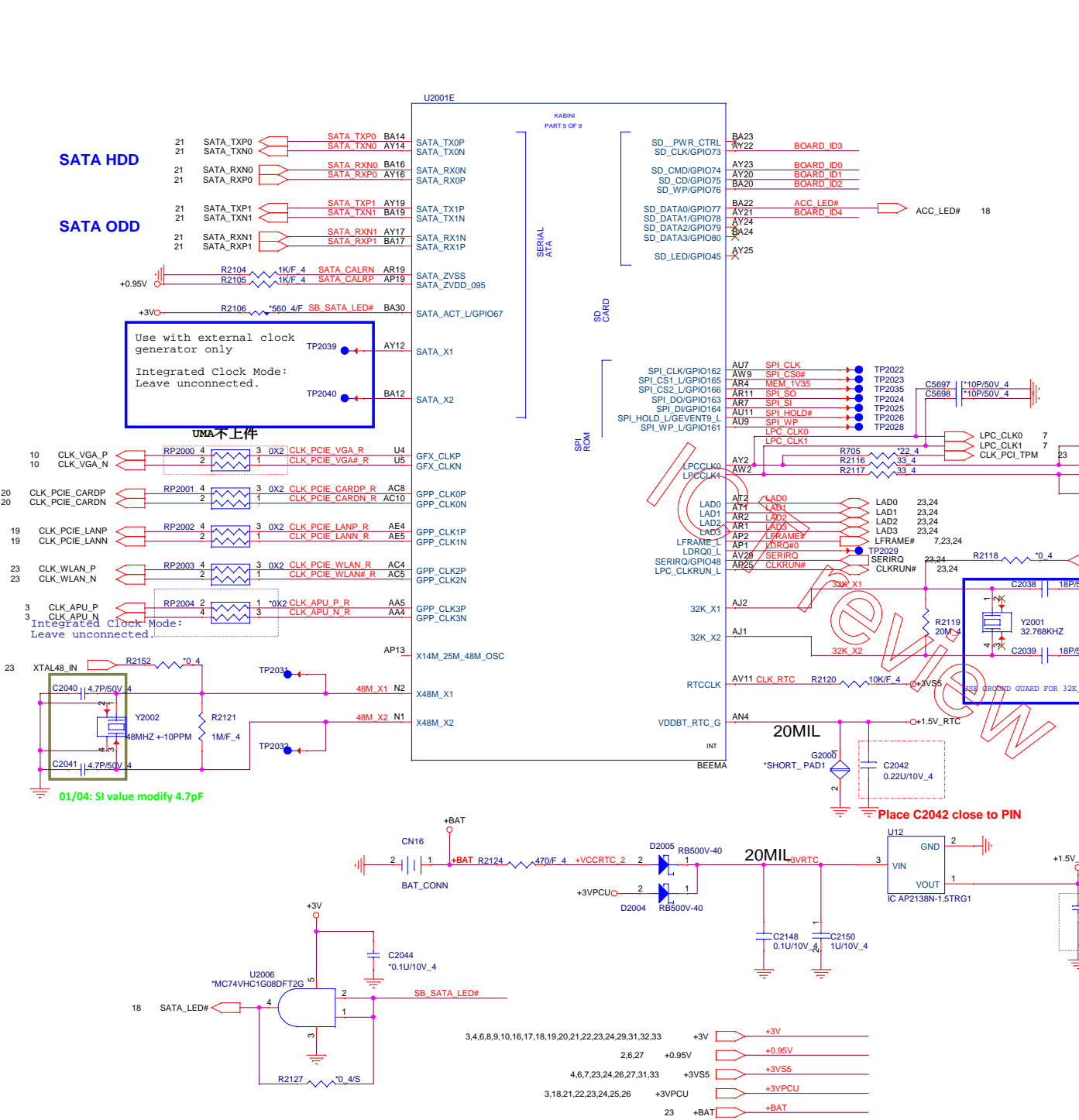
TEST2	TEST1	TEST0	Description
0	0	0	FCH TAP accessible from APU when TAPEN is asserted. FCH JTAG pins are overloaded for multiple functions, in this configuration the FCH JTAG are used as non-JTAG pins.
0	0	1	Reserved
0	1	X	Reserved
1	TMS	0	FCH JTAG multi-function pins are configured as JTAG pins, in this configuration the FCH TAP can be accessed from FCH JTAG pins.
1	TMS	1	Use on ATE only Yuba JTAG enabled



PROJECT :U99
 Quanta Computer Inc.

Size: Document Number: **GPIO/USB/AZ (3/6)** Rev: 1A

Date: Monday, May 19, 2014 Sheet: 4 of 33



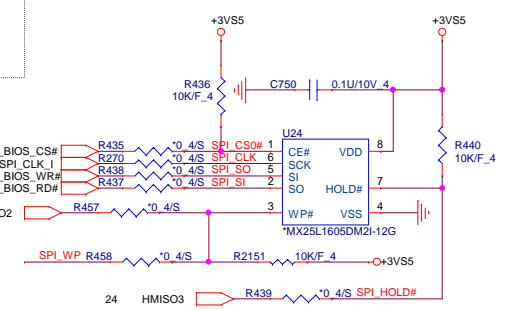
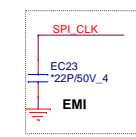
BOARD ID SETTING

Model	BOARD_ID0	BOARD_ID1	BOARD_ID2	BOARD_ID3	BOARD_ID4
14" UMA	0	0	0	0	0
15" UMA	0	1	0	0	0
14" DIS	1	0	0	0	0
15" DIS	1	1	0	0	0

APU SPI ROM

Replace to MX25L6436E

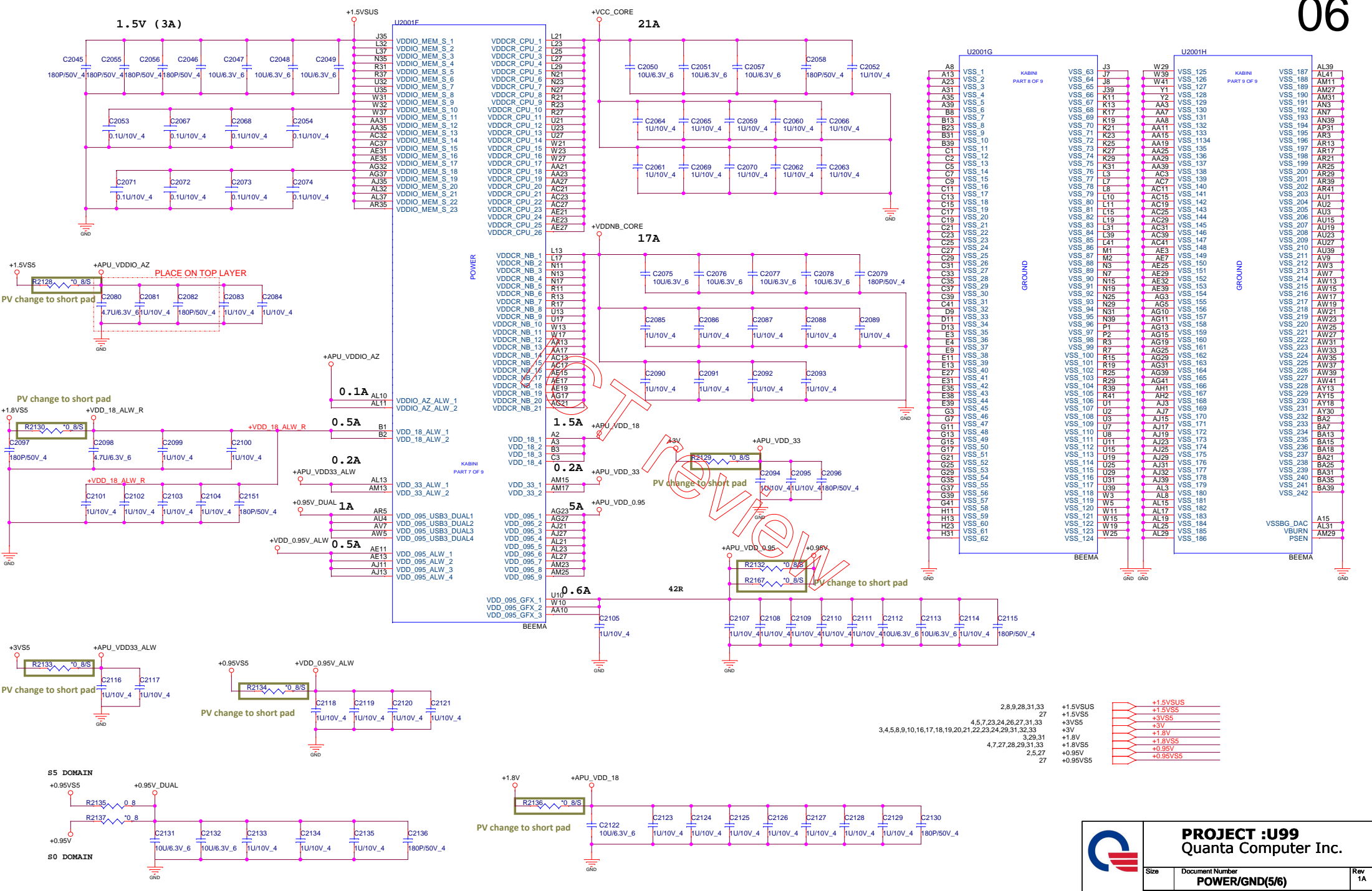
Vender	Size	P/N
AMIC	2M	AKE38ZN0801
WINBOND	2M	AKE38FP0N01
Socket		DFHS08FS023



PROJECT :U99
Quanta Computer Inc.

Size	Document Number	Rev
	SATA/CLK (4/6)	1A

Date: Monday, May 19, 2014 Sheet 5 of 33



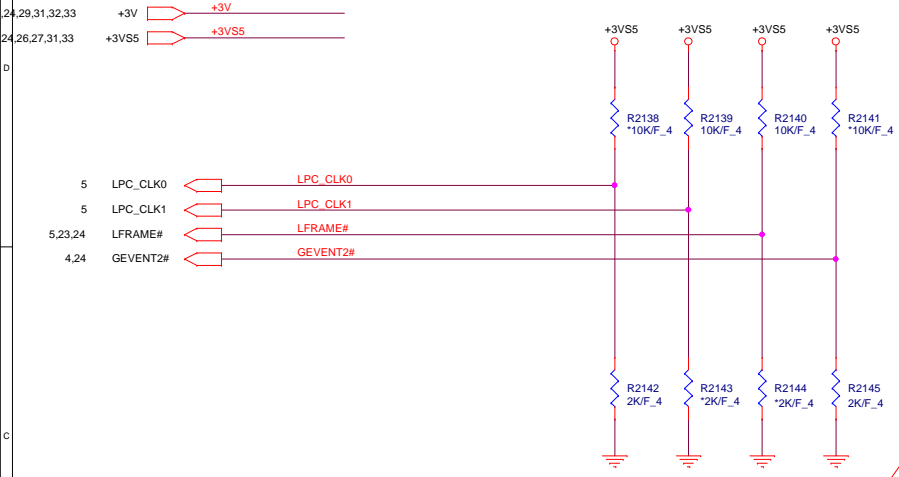
PROJECT :U99
Quanta Computer Inc.

Size	Document Number	Rev
	POWER/GND(5/6)	1A
Date:	Monday, May 19, 2014	Sheet 6 of 33

STRAPS PINS

OVERLAP COMMON PADS WHERE POSSIBLE FOR DUAL-OP RESISTORS.

DEBUG STRAPS

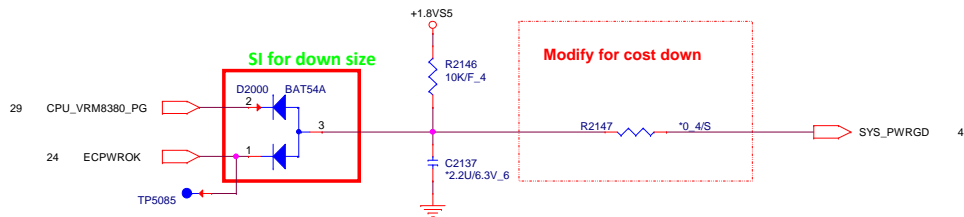


REQUIRED STRAPS

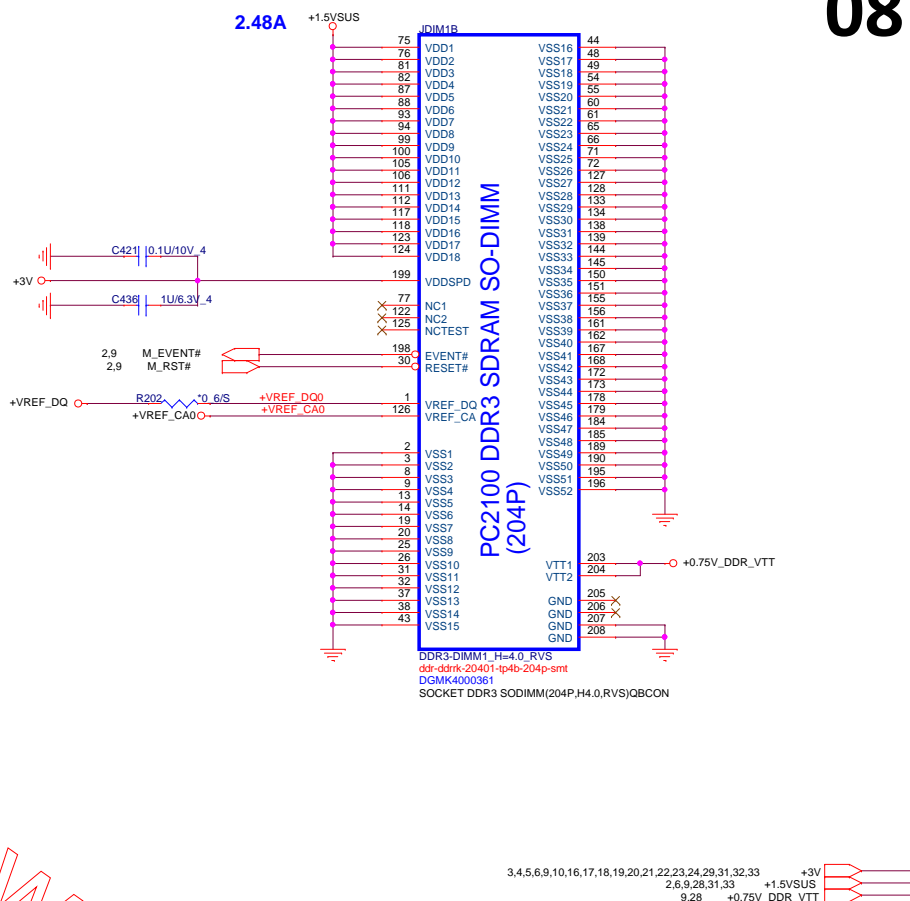
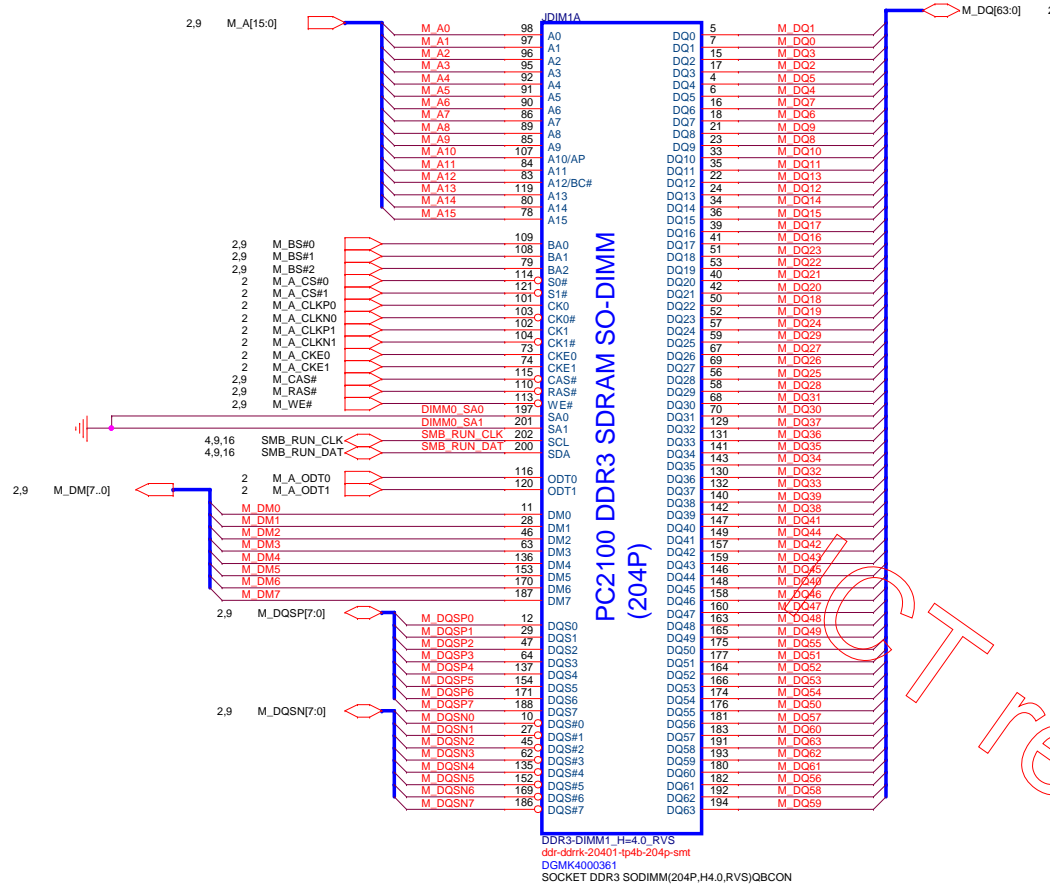
				LPC_CLK0	LPC_CLK1	LFRAME#	GEVENT2#
PULL HIGH				BOOT FAIL TIMER ENABLED	CLKGEN ENABLED DEFAULT	SPI ROM DEFAULT	1.8V SPI ROM
PULL LOW				BOOT FAIL TIMER DISABLED DEFAULT	CLKGEN DISABLED	LPC ROM	3.3V SPI ROM DEFAULT

ICM review

SYS PWGRD

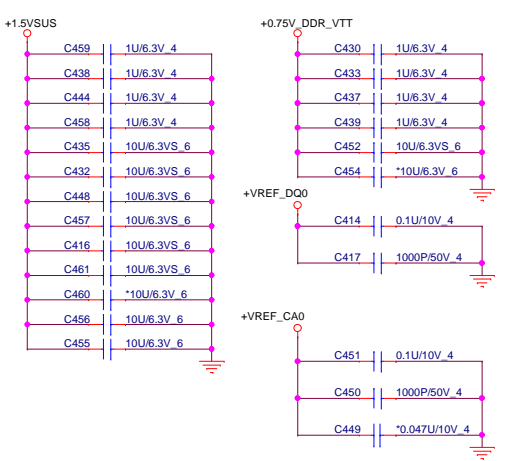


	PROJECT :U99 Quanta Computer Inc.		
	Size	Document Number	Rev
	STRAP (6/6)		1A
Date: Monday, May 19, 2014 Sheet 7 of 33			

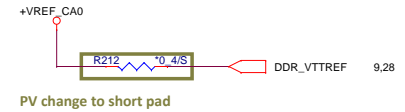
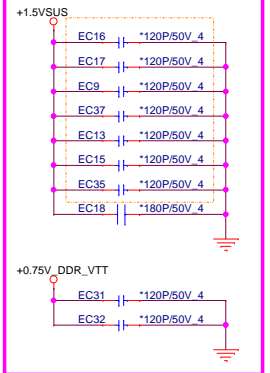


Copyright review

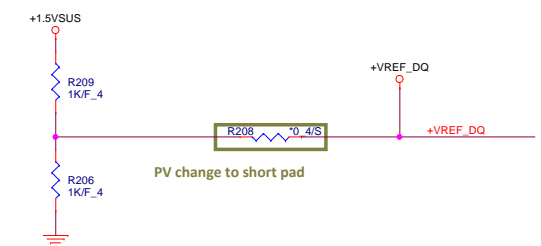
Place these Caps near So-Dimm0.



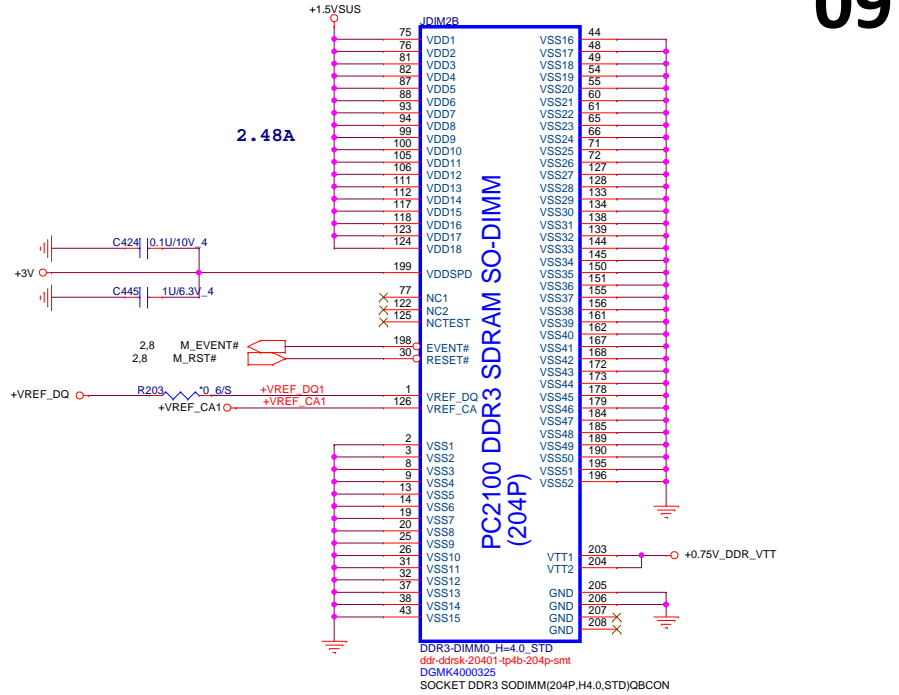
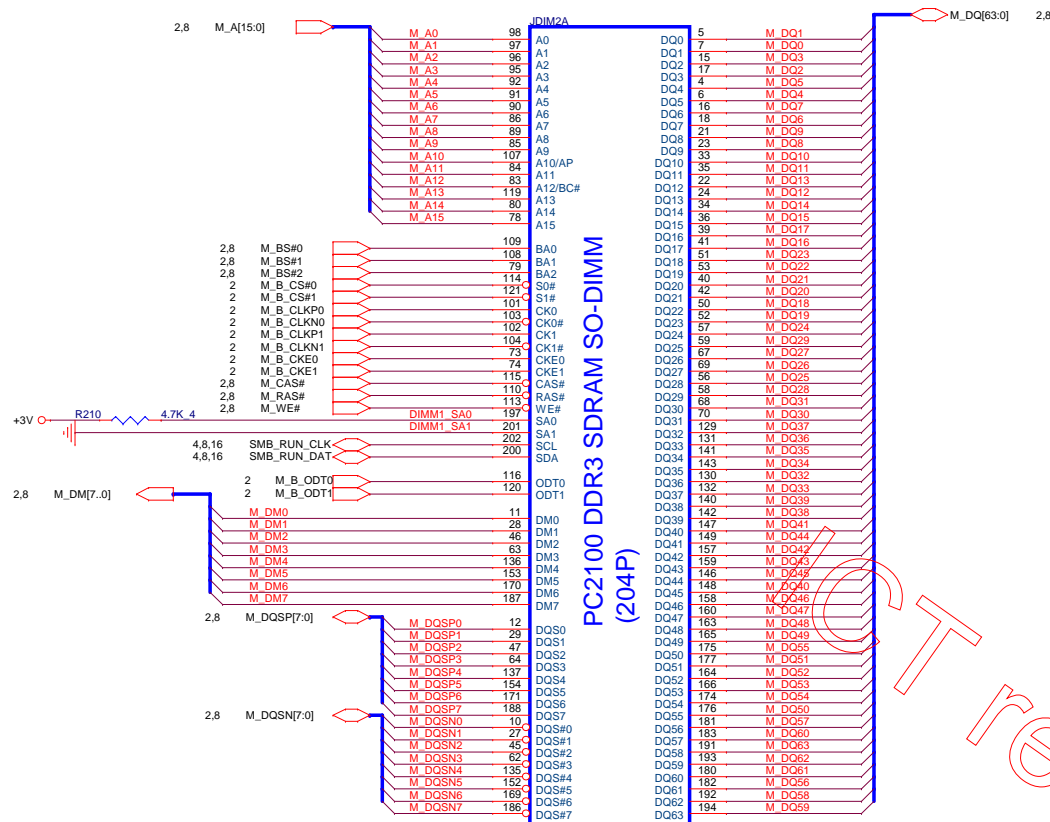
For EMI RESERVE



Reserved for AMD suggest



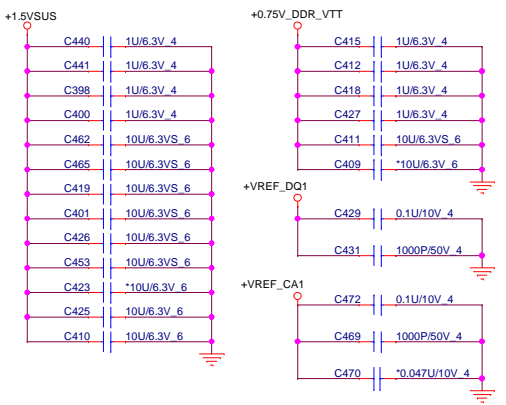
			PROJECT :U99	
			Quanta Computer Inc.	
Size	Document Number			Rev
Custom	System Memory 1/2 (5.2H)			1A
Date:	Monday, May 19, 2014	Sheet	8 of	33



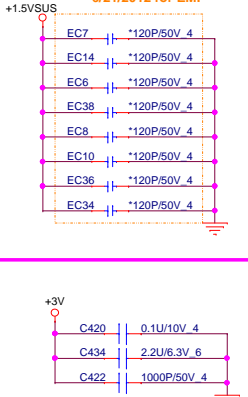
DDR3-DIMM0_H=4.0_STD
 ddr-ddrsk-20401-tp4b-204p-smt
 DGMK4000325
 SOCKET DDR3 SODIMM(204P,H4.0,STD)QBCCN

3.4,5,6,8,10,16,17,18,19,20,21,22,23,24,29,31,32,33 +3V
 2.6,8,28,31,33 +1.5VSUS
 8,28 +0.75V_DDR_VTT

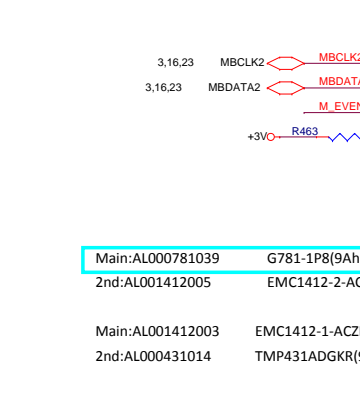
Place these Caps near So-Dimm1.



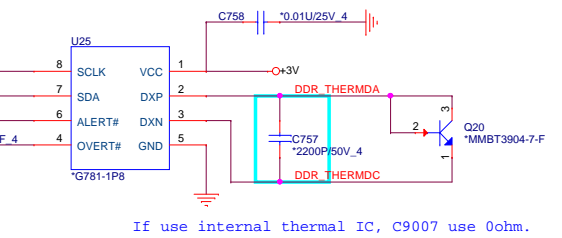
For EMI RESERVE
 6/21/2012 for EMI



Local Thermal Sensor



DDR3 Thermal Sensor

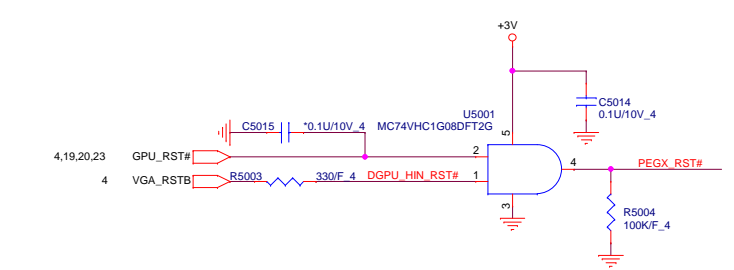
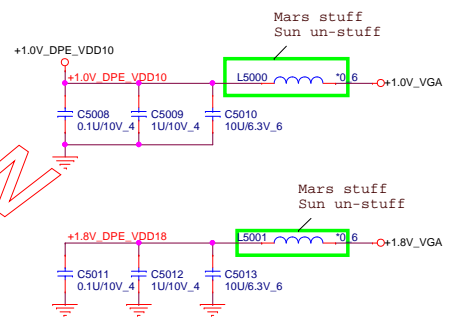
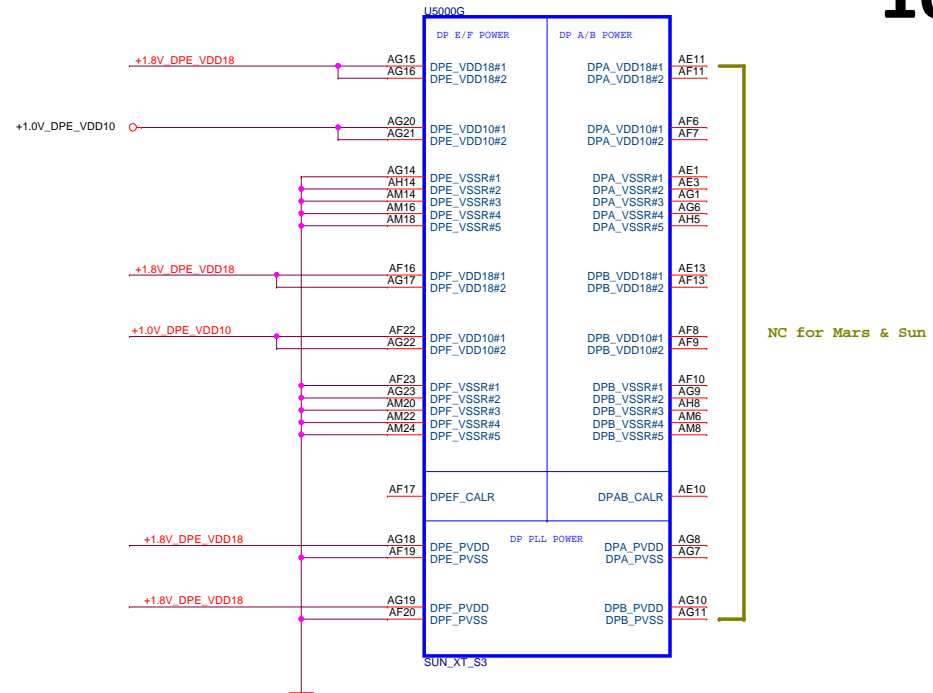
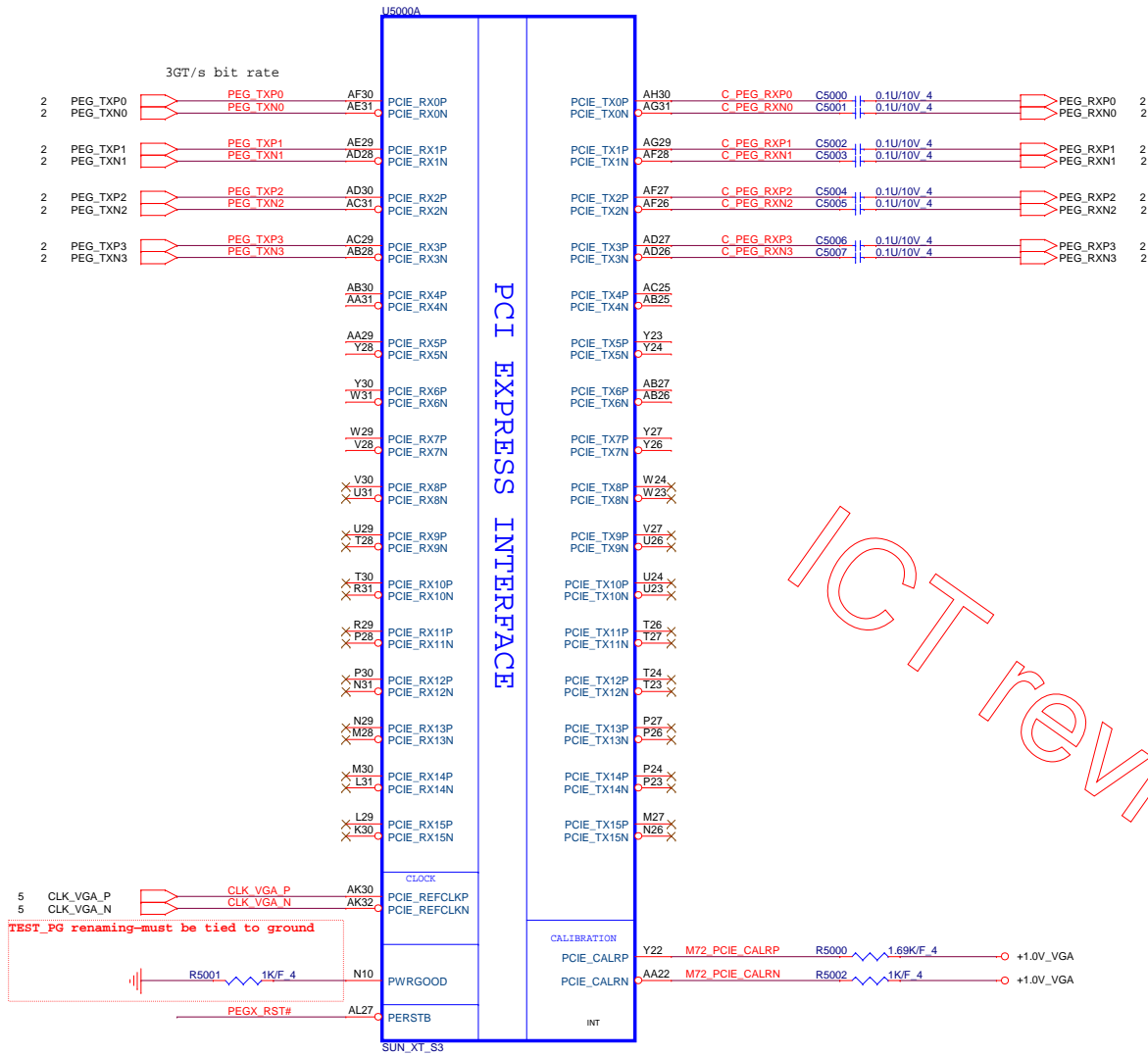


If use internal thermal IC, C9007 use 0ohm.

Main:AL000781039 G781-1P8(9Ah)
 2nd:AL001412005 EMC1412-2-ACZL-TR(9Ah)

Main:AL001412003 EMC1412-1-ACZL-TR(98h)
 2nd:AL000431014 TMP431ADGKR(98h)

			PROJECT :U99	
			Quanta Computer Inc.	
Size	Document Number			Rev
Custom	System Memory 2/2 (9.2H)			1A
Date:	Monday, May 19, 2014	Sheet	9	of 33



ICT review

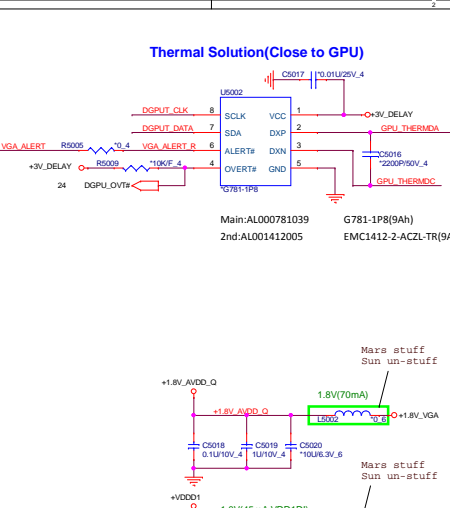
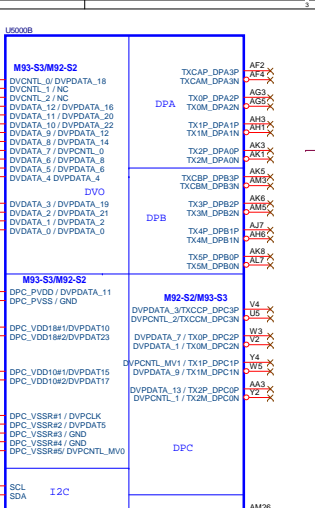
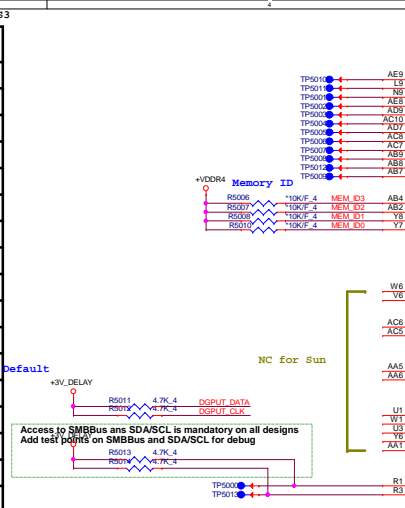
NC for Mars & Sun

+1.0V_VGA 11:13.33
 +1.8V_VGA 11:13.23,33

PROJECT :U99
Quanta Computer Inc.

Size Custom	Document Number Sun S3 PCIe Interface	Rev 1A
Date: Monday, May 19, 2014 Sheet 10 of 33		

GPIO10	GPIO30	GPIO6	GPIO12	GPIO20	GPIO15	Sun_XT_33
PWRCNTL5	PWRCNTL4	PWRCNTL3	PWRCNTL2	PWRCNTL1	V-CORE	
0	1	1	0	1	1.175V	
0	1	1	1	0	1.150V	
0	1	1	1	1	1.125V	
1	0	0	0	0	1.100V	
1	0	0	0	1	1.075V	
1	0	0	1	0	1.050V	
1	0	0	1	1	1.025V	
1	0	1	0	0	1.000V	
1	0	1	1	0	0.975V	
1	0	1	1	1	0.950V	
1	0	1	1	1	0.925V	
1	1	1	0	0	0.900V	Default
1	1	1	0	1	0.875V	
1	1	1	0	1	0.850V	
1	1	1	0	1	0.825V	
1	1	1	0	1	0.800V	
1	1	1	0	1	0.775V	



MLPS Implementation

- Connect GPIO_28 to 10K pulldown to enable MLPS
- If any of PS_0, 1, 2 is not used, leave "no connect"
- R_pu, R_pd and C must be properly populated per tables below
- Place MLPS circuit components as close to the ASIC as possible
- Place PS circuit components as close to the PS pin and C should be less than 2 ohms
- Total DC resistance of trace between C and ground should be less than 2 ohms
- Trace capacitance should be less than 100pF. Resistors should be of +/-1% tolerance

Capacitor Lookup Table

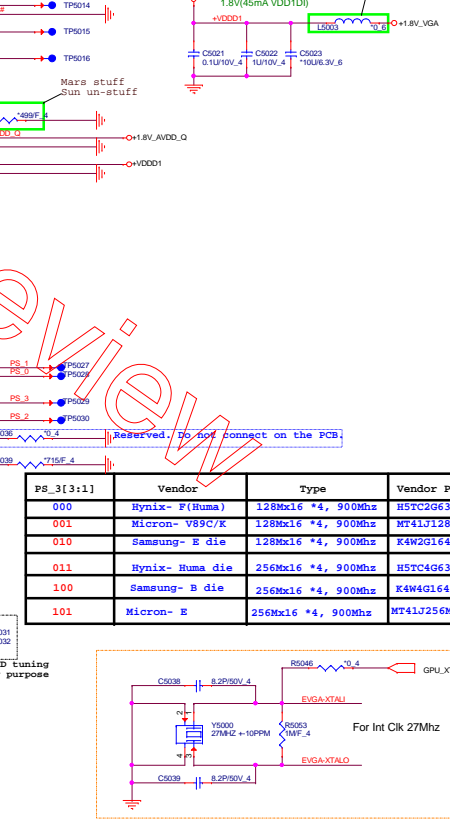
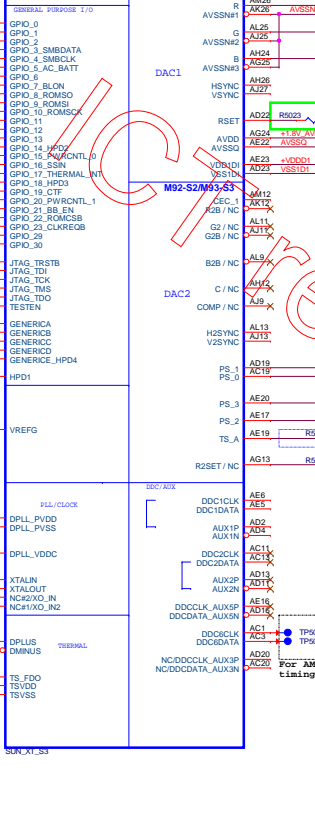
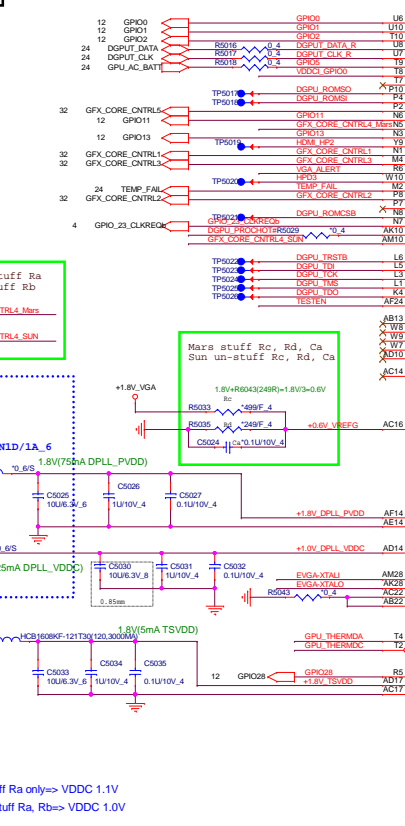
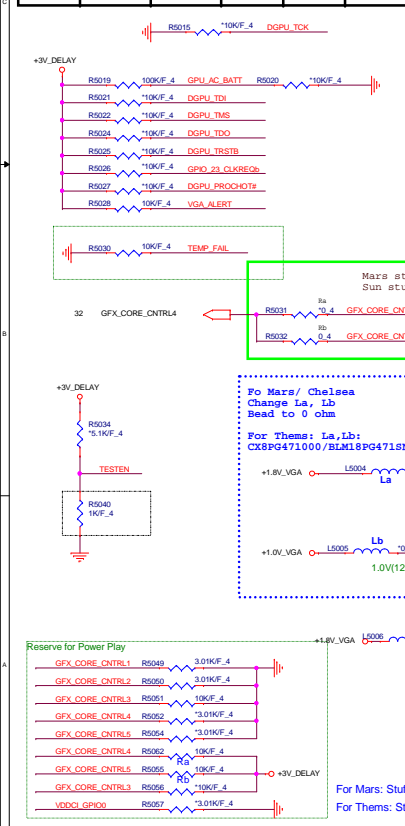
C (nF)	Bits(5,4)
680	00
82	01
10	10
NC	11

Resistor Divider Lookup Table

R_pu (Ohm)	R_pd (Ohm)	Bits(3,2,1)
8450	2000	001
4530	2000	010
6980	4990	011
4530	4990	100
3240	5620	101
3400	10000	110
4750	NC	111

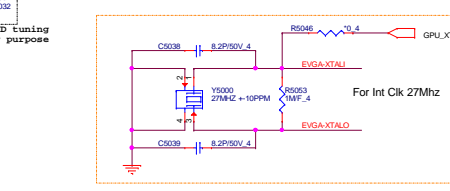
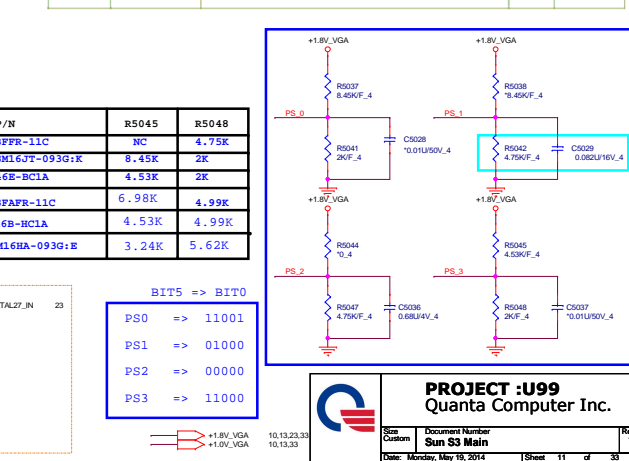
MLPS Circuit Diagram

MLPS Circuit Diagram showing connections for PS_0, PS_1, PS_2, and PS_3.



Pin/Bt	Name	Description	Default	Legacy
PS_0[3:1]	romidfg[2:0]	Memory aperture size or ROM type select: If bios_rom_en = 0, romidfg[2:0] define memory aperture size. If bios_rom_en = 1, romidfg[2:0] define ROM type	xxx	gpio_13, gpio_12, gpio_11
PS_0[4]	n/a	Reserved	1	genk_vsync
PS_1[1]	bif_gen3_en_a	PCIe Gen3 capability: 1=Gen3 supported, 0=Gen3 not supported	x	gpio_2
PS_1[2]	bif_clk_pm_en	PCIe CLK PM capability: 1 = CLKREQB supported	x	gpio_8
PS_1[3]	n/a	Reserved		genk_clk
PS_1[4]	tx_pwrsv_erb	PCIe Tx power savings: 0=50% swing, 1=full swing	x	gpio_0
PS_1[5]	tx_deemph_en	PCIe Tx de-emphasis: 1=Tx de-emphasis enabled	x	gpio_1
PS_2[1]	n/a	Reserved		n/a
PS_2[2]	n/a	Reserved		n/a
PS_2[3]	bios_rom_en	Enable external BIOS ROM: 1=External ROM connected	x	gpio_22
PS_2[4]	vga_dis	VGA disable: 1=Disable this GPU as the system's VGA controller	0	gpio_9
PS_2[5]	n/a	Reserved		n/a
PS_3[1]	MEM Vendor ID	MEM Vendor ID	0	n/a
PS_3[2]	MEM Vendor ID	MEM Vendor ID	0	n/a
PS_3[3]	MEM Vendor ID	MEM Vendor ID	0	n/a
PS_3[5]	aud_port_cp[2]	3-bit field indicating number of audio-capable display outputs	xxx	n/a
PS_3[4]	aud_port_cp[1]			
PS_3[0]	aud_port_cp[0]			

PS_3[3:1]	Vendor	Type	Vendor P/N	R5045	R5048
000	Hynix - F(Huma)	128Mx16 *4, 900MHz	H57C2G63PFR-11C	NC	4.75K
001	Micron - V89C/E	128Mx16 *4, 900MHz	MT41J128M16J7-093G:E	8.45K	2K
010	Samsung - B die	128Mx16 *4, 900MHz	K4W2G1646B-BCLIA	4.53K	2K
011	Hynix - Huma die	256Mx16 *4, 900MHz	H57C4G63PFR-11C	6.98K	4.99K
100	Samsung - B die	256Mx16 *4, 900MHz	K4W4G1646B-HCLIA	4.53K	4.99K
101	Micron - E	256Mx16 *4, 900MHz	MT41J256M16HA-093G:E	3.24K	5.62K



BIT5 => BIT0

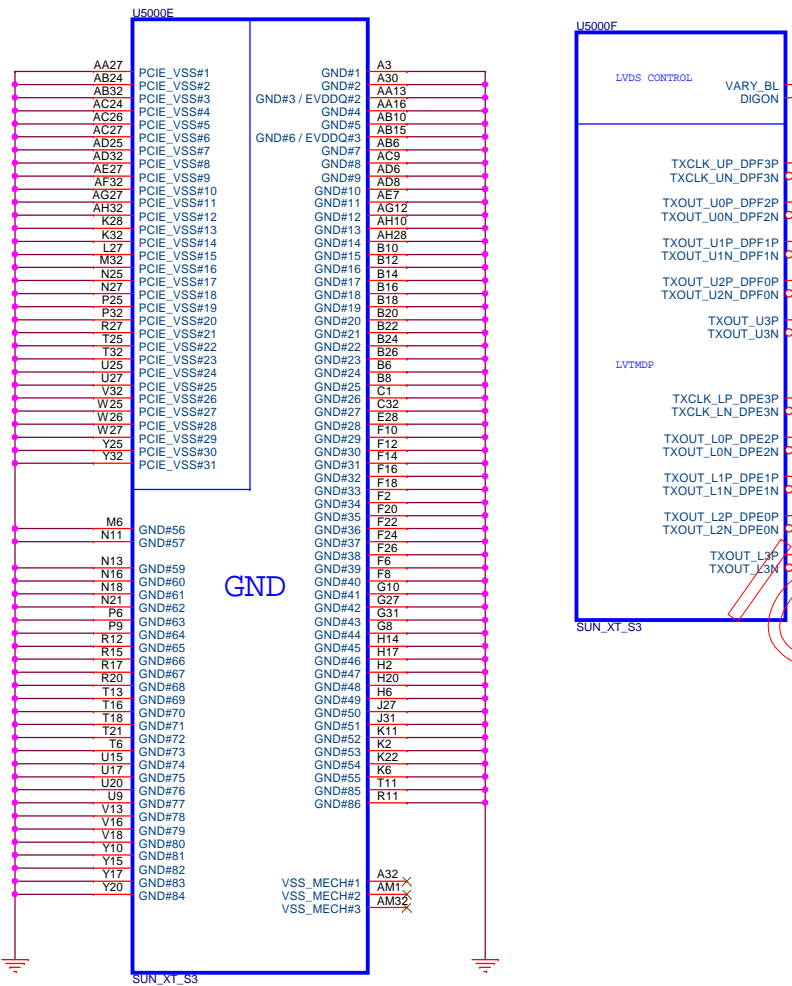
PS0 => 11001

PS1 => 01000

PS2 => 00000

PS3 => 11000

Resistor divider circuit diagram for PS pins.



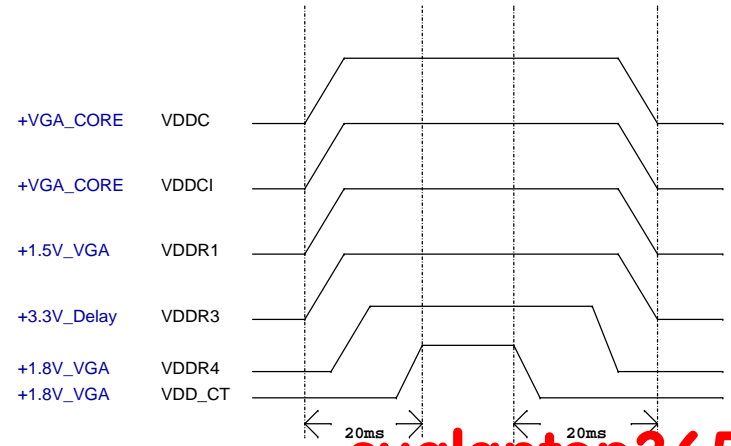
CONFIGURATION STRAPS-- SEE EACH DATABOOK FOR STRAP DETAILS
ALLOW FOR PULLUP PADS FOR THESE STRAPS AND IF THESE GPIOs ARE USED, THEY MUST NOT CONFLICT DURING RESET

STRAPS	PIN	DESCRIPTION OF DEFAULT SETTINGS	RECOMMENDED SETTINGS
TX_PWRS_ENB	GPIO0	PCIE FULL TX OUTPUT SWING	0
TX_DEEMPH_EN	GPIO1	PCIE TRANSMITTER DE-EMPHASIS ENABLED	0
RSVD	GPIO2	RESERVED	X
RSVD	GPIO8	RESERVED	0
BIF_VGA_DIS	GPIO9	VGA ENABLED	0
RSVD	GPIO21	RESERVED	0
BIOS_ROM_EN	GPIO22_ROMCSB	ENABLE EXTERNAL BIOS ROM	0
ROMIDCFG(2:0)	GPIO[13:1]	SERIAL ROM TYPE OR MEMORY APERTURE SIZE SELECT	0 0 1
VIP_DEVICE_STRAP_ENA	V2SYNC	IGNORE VIP DEVICE STRAPS (Removed on Seymour/Whistler)	0
RSVD	H2SYNC	RESERVED	0
AUD[1]	HSYNC	SEE DATABOOK FOR DETAIL	0
AUD[0]	VSNC	SEE DATABOOK FOR DETAIL	0
RSVD	GENERIC	RESERVED	0

NOTE1: AMD RESERVED CONFIGURATION STRAPS
ALLOW FOR PULLUP PADS FOR THESE STRAPS BUT DO NOT INSTALL RESISTOR. IF THESE GPIOs ARE USED, THEY MUST KEEP "LOW" AND NOT CONFLICT DURING RESET.

GPIO21 H2SYNC GENERIC GPIO8 GPIO2

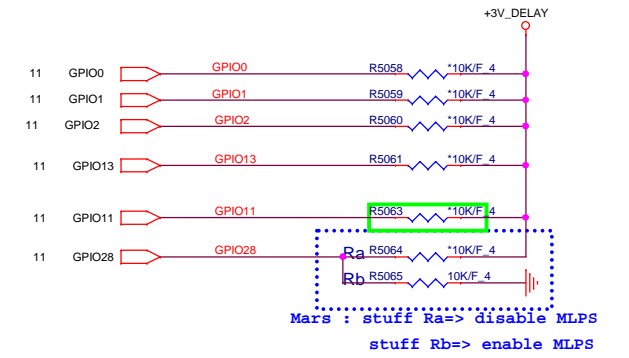
Power Up/Down Sequence



Memory Aperture size(Seymour)

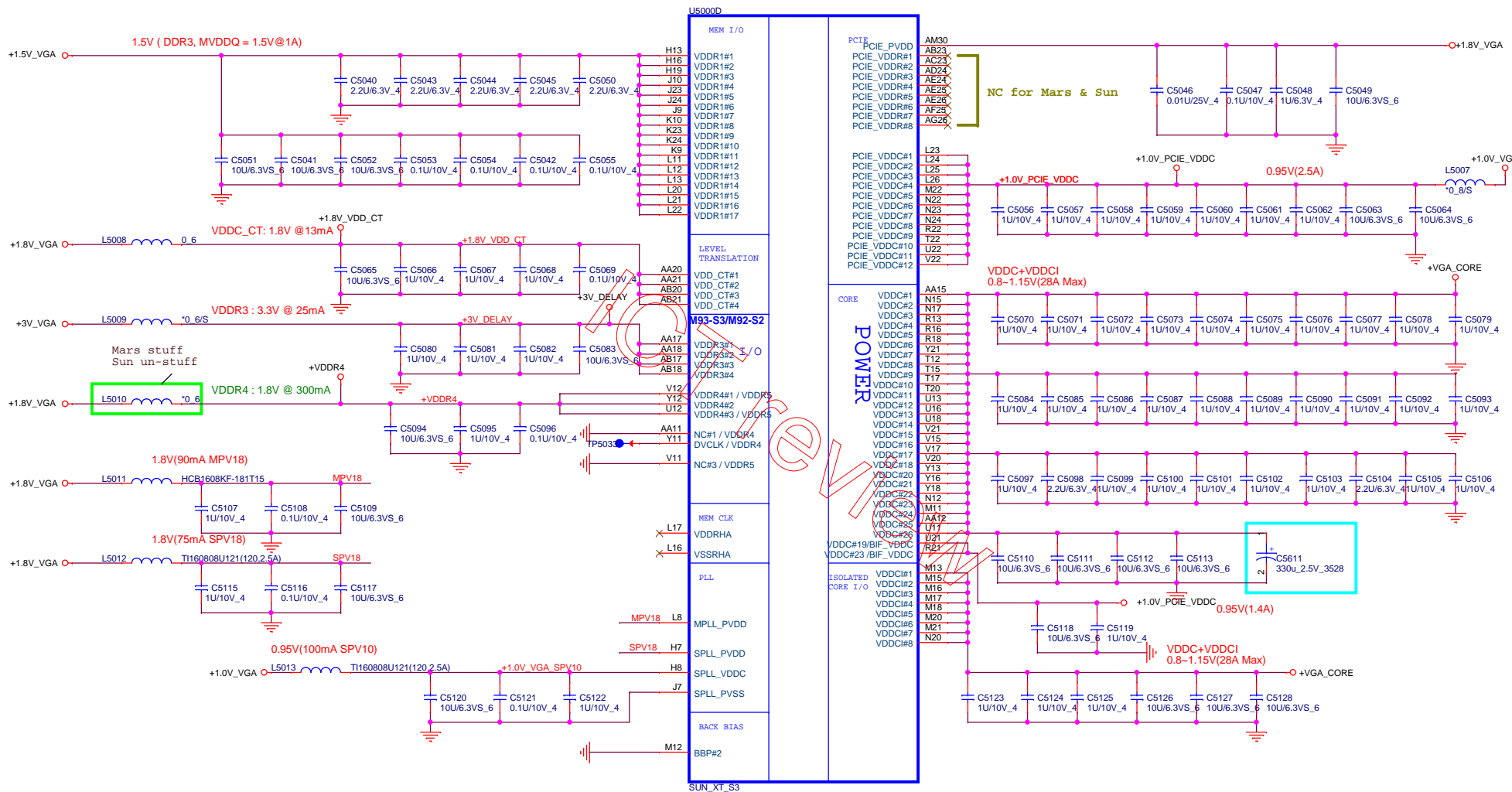
GPIO9 BIOSROM	GPIO13 ROMIDCFG2	GPIO12 ROMIDCFG1	GPIO11 ROMIDCFG0
0	128M	0	0
0	256M	0	1
0	64M	0	0
0	32M	0	1
0	512M	1	0
0	1G	1	1
0	2G	1	0
0	4G	1	1

It is a shared pin strap with CONFIG[2:0] if BIOS_ROM_EN is set to 0.



PROJECT :U99
Quanta Computer Inc.

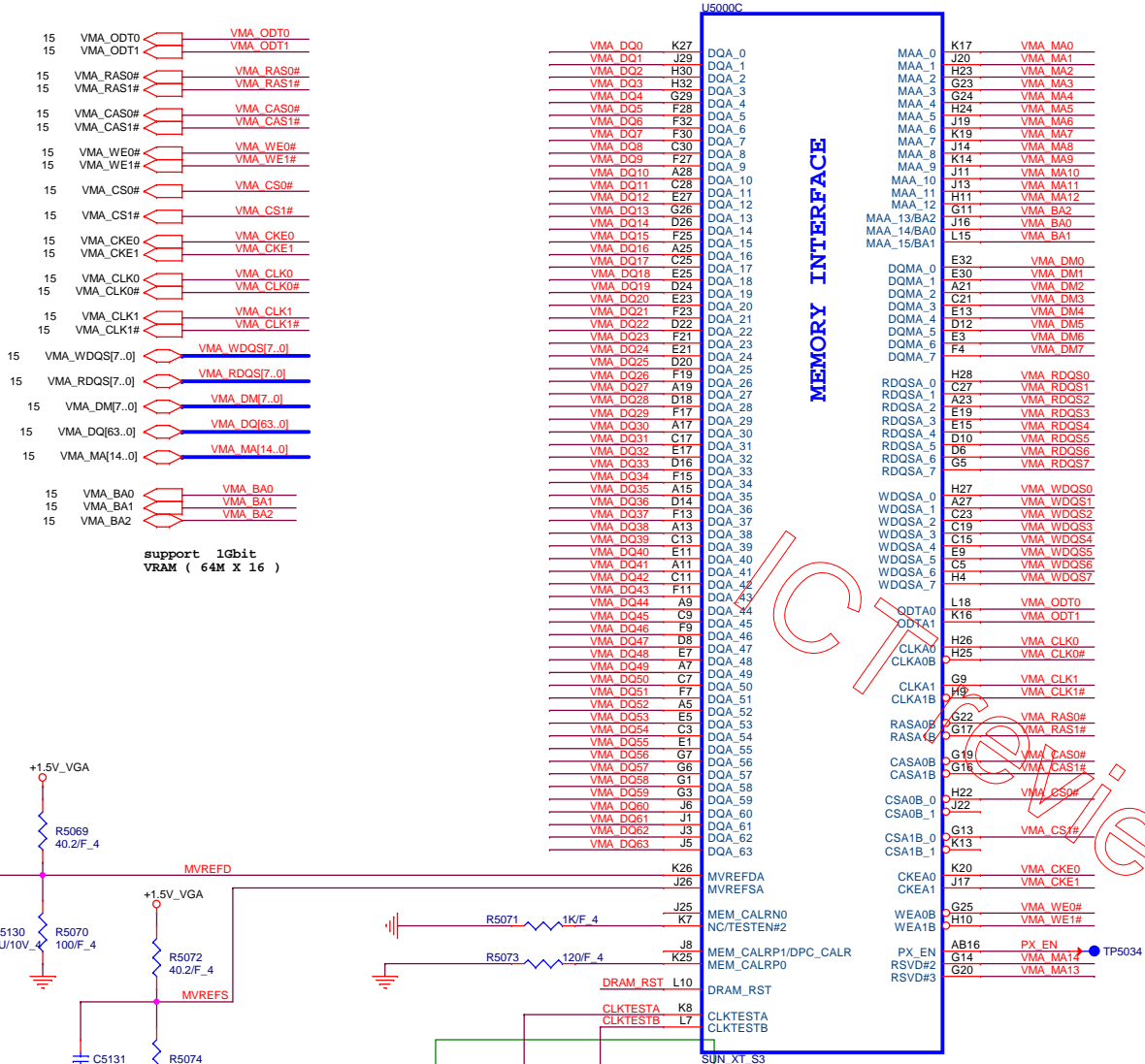
Size Custom Document Number Sun S3 GND / LVDS/ Straps Rev 1A
 Date: Monday, May 19, 2014 Sheet 12 of 33



+1.5V_VGA	14,15,33
+1.8V_VGA	10,11,23,33
+1.0V_VGA	10,11,33
+VGA_CORE	32,33
+3V	3,4,5,6,8,9,10,16,17,18,19,20,21,22,23,24,29,31,32,33
+5V	17,18,21,22,31

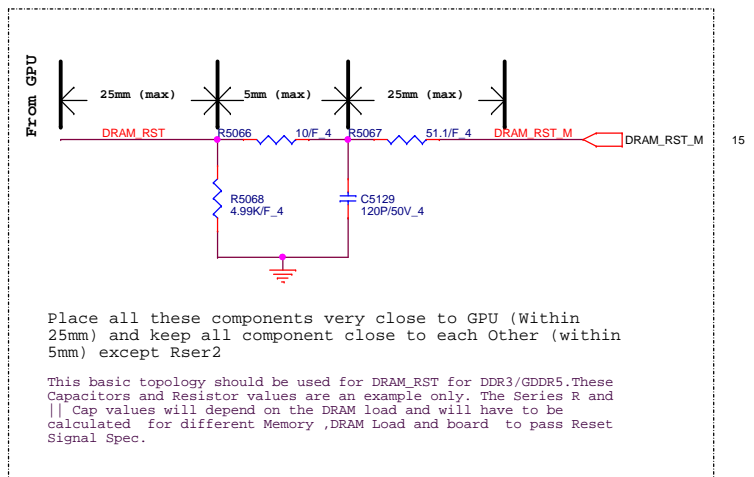
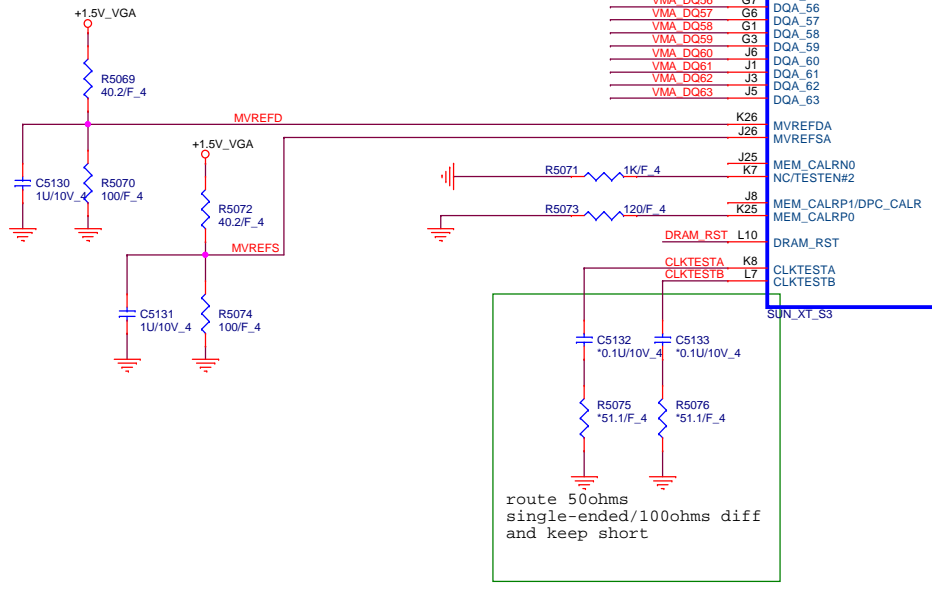
PROJECT :U99
Quanta Computer Inc.

Size Custom	Document Number Sun S3 Power_and_NC	Rev 1A
Date: Monday, May 19, 2014 Sheet 13 of 33		

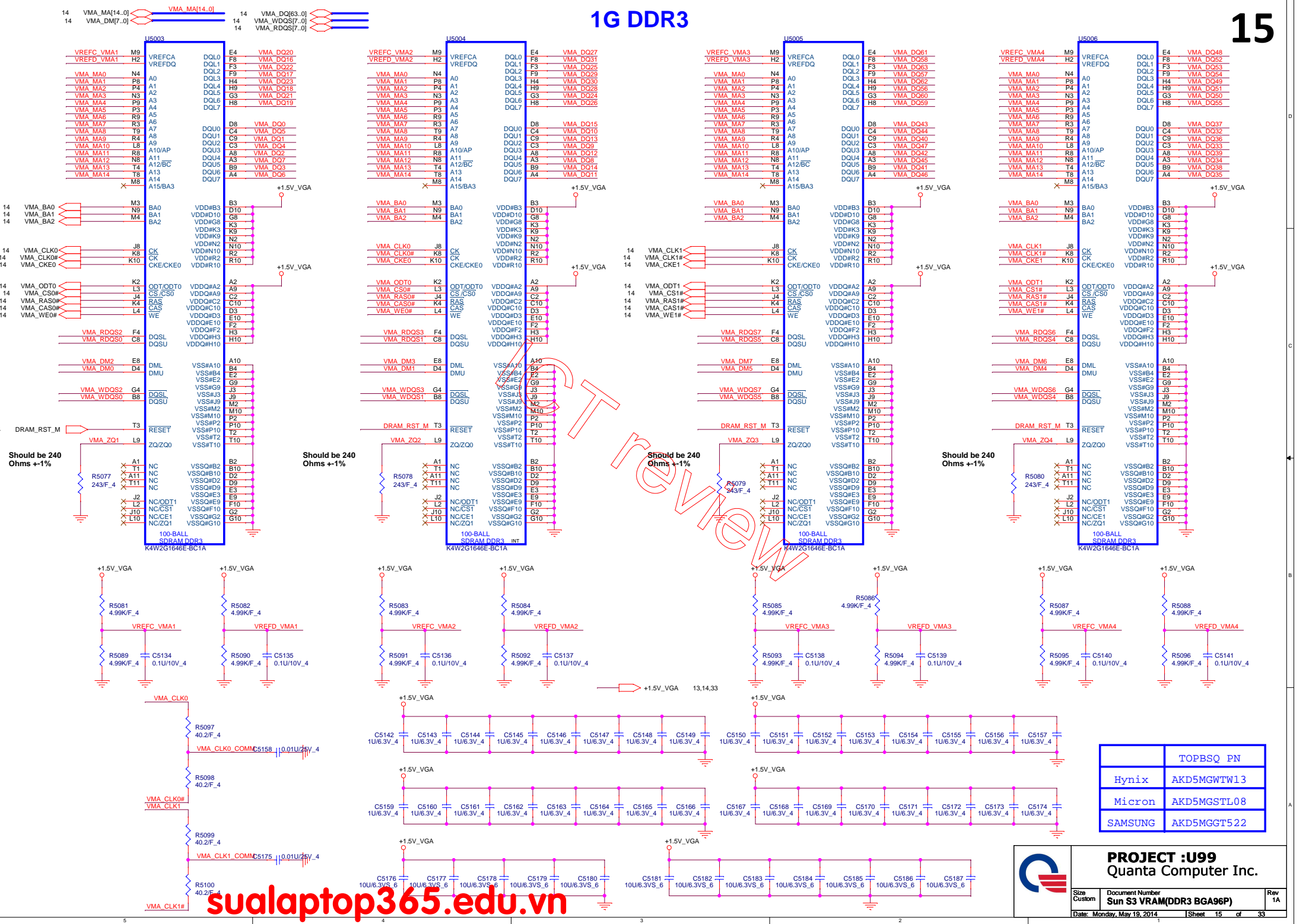


MEMORY INTERFACE

support 1gbit
VRAM (64M X 16)



1G DDR3



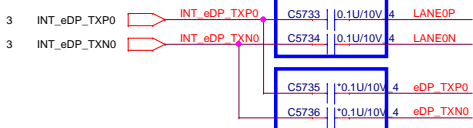
TOPBQ PN
Hynix AKD5MGWTW13
Micron AKD5MGSTL08
SAMSUNG AKD5MGGT522

PROJECT :U99
Quanta Computer Inc.

Size Custom	Document Number Sun S3 VRAM(DDR3 BGA96P)	Rev 1A
Date: Monday, May 19, 2014	Sheet 15 of 33	

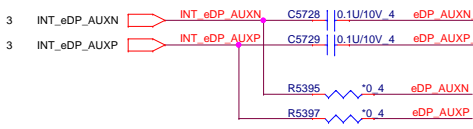
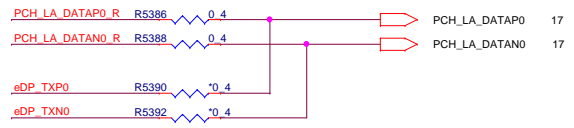
sualaptop365.edu.vn

for Bemma LVDS need stuff 0.1u cap ; need change 0.1u on next stage



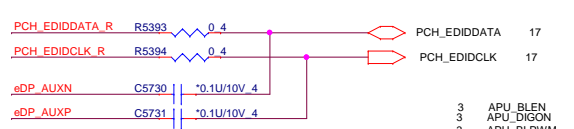
Bemma to LVDS Converter
to Bemma eDP

From LVDS Converter
from Bemma eDP

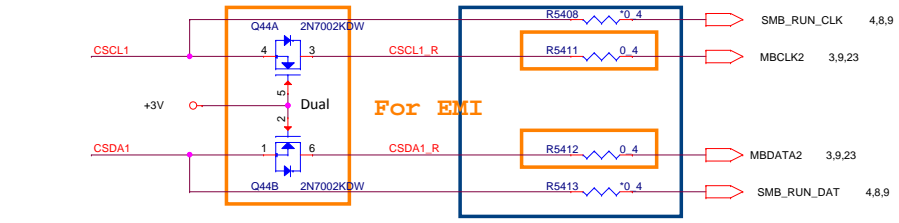
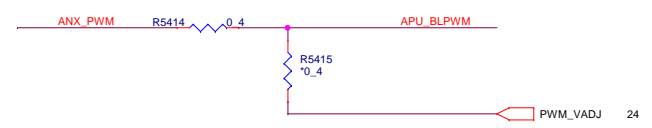
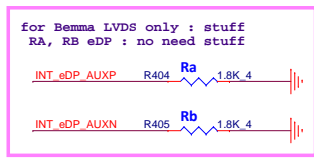
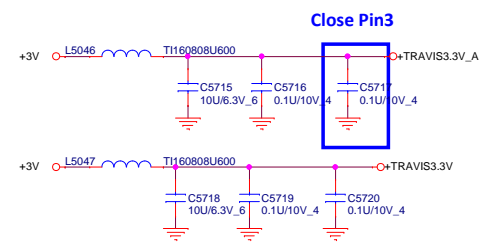
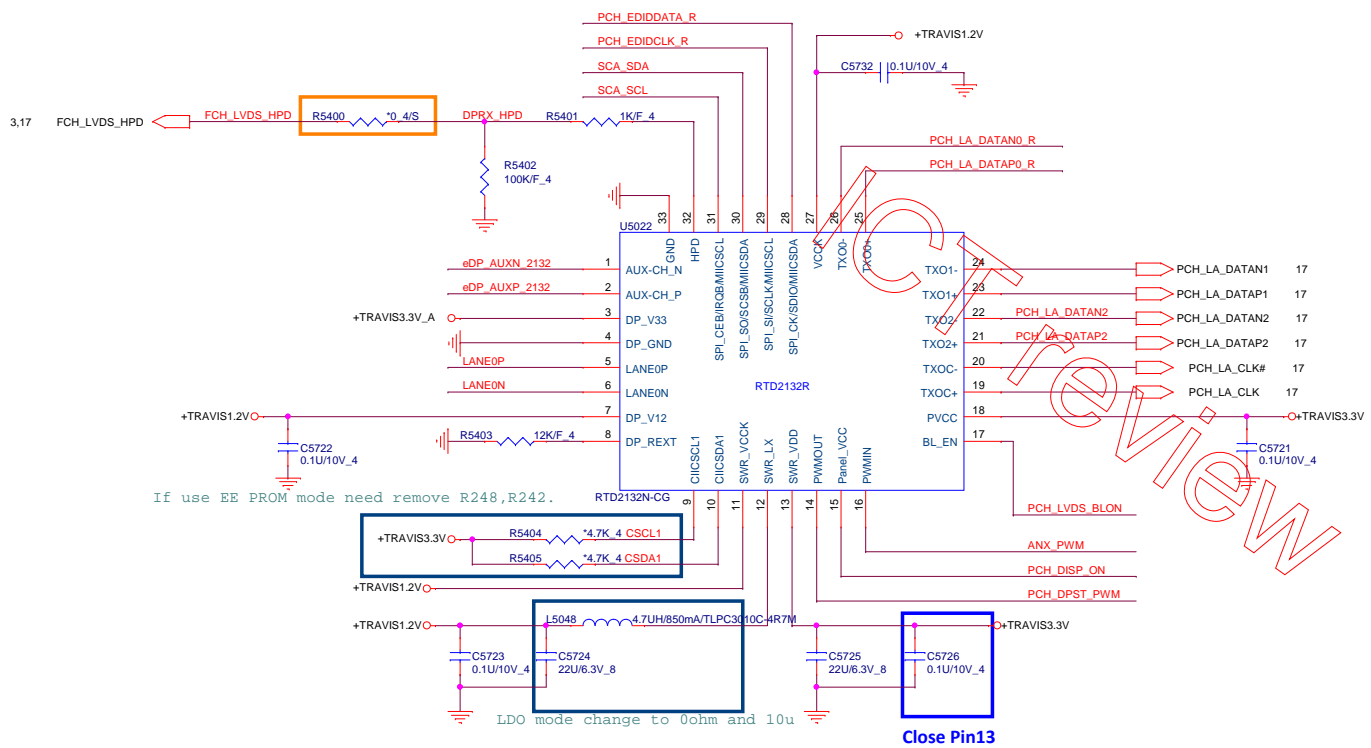
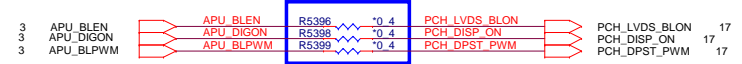


Bemma to LVDS Converter
to Bemma eDP

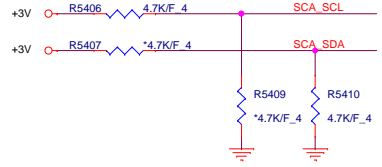
From LVDS Converter
from Bemma eDP



for Bemma eDP : stuff R5396 / R5398 / R5399
for Bemma LVDS : Don't stuff R5396 / R5398 / R5399



EE PROM R5408, R5413
EC OPTION R5411, R5412



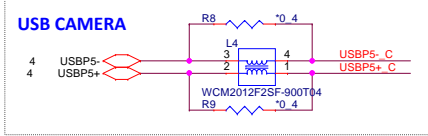
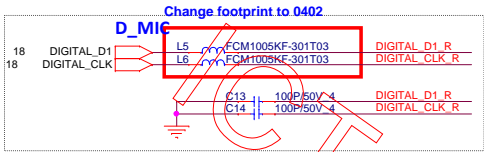
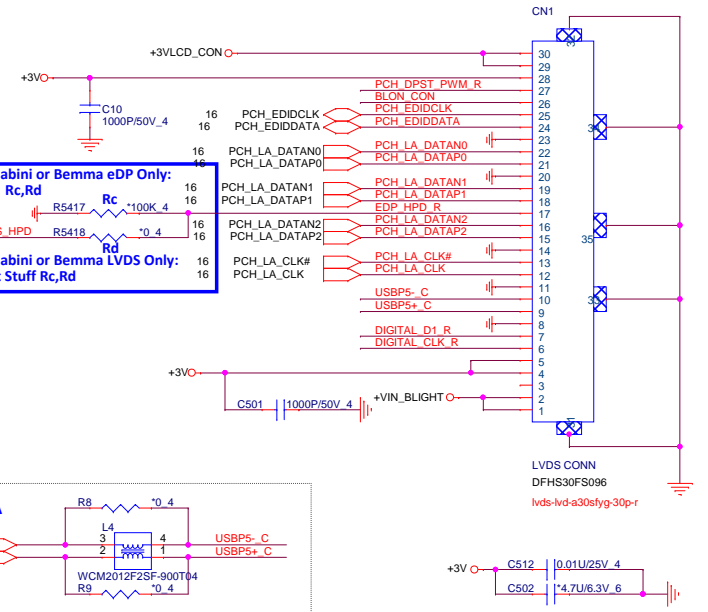
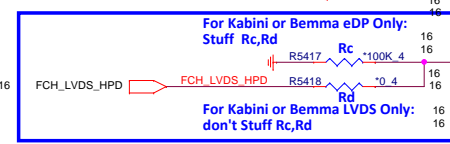
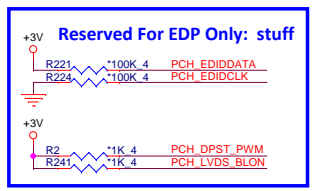
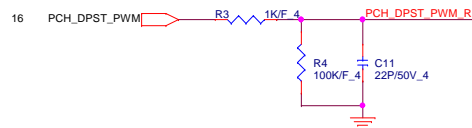
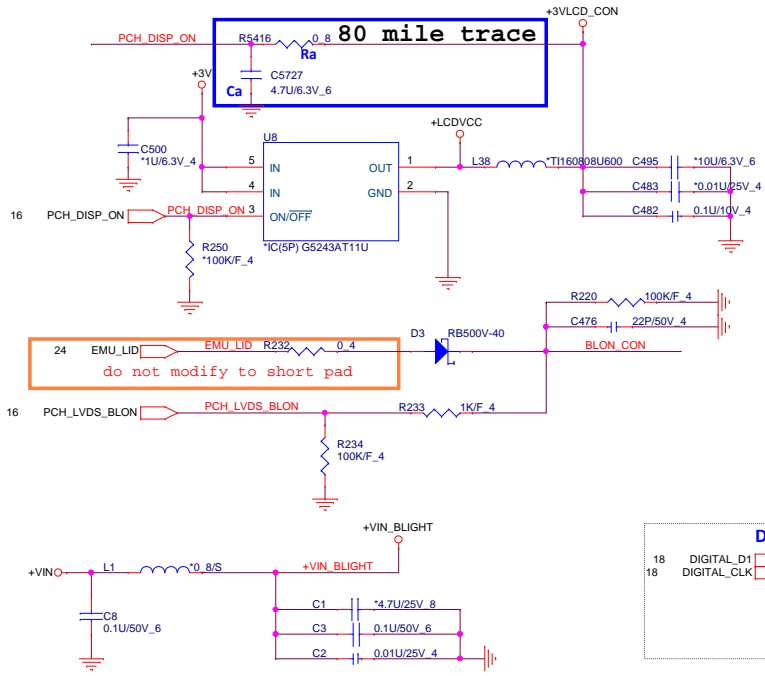
		MODE_CFG0(PIN30)	
		0	1
MODE_CFG1(PIN31)	0	X	EP MODE
	1	ROM ONLY MODE	EEPROM MODE

PROJECT :U99
Quanta Computer Inc.

Size Custom	Document Number RTD2132S	Rev 3A
Date: Monday, May 19, 2014		Sheet 16 of 33

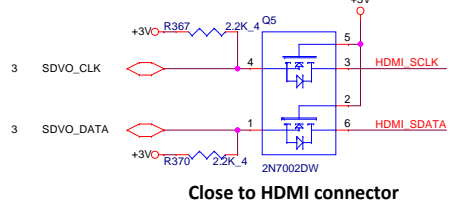
LVDS Conn.

for Bemma eDP : don't stuff Ra / Ca ;
for Bemma LVDS : stuff Ra / Ca



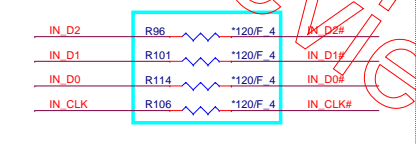
HDMI Conn.

HDMI SMBus Isolation

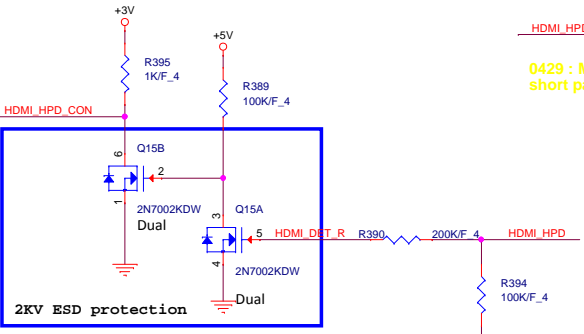


Close to HDMI connector

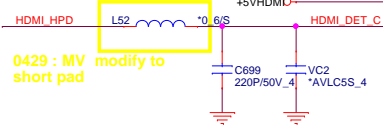
EMI Solution



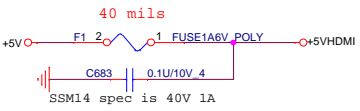
HDMI HPD SENSE



2KV ESD protection

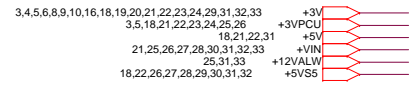


0429 : MV modify to short pad



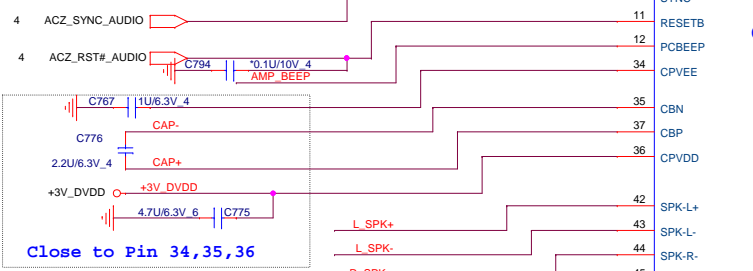
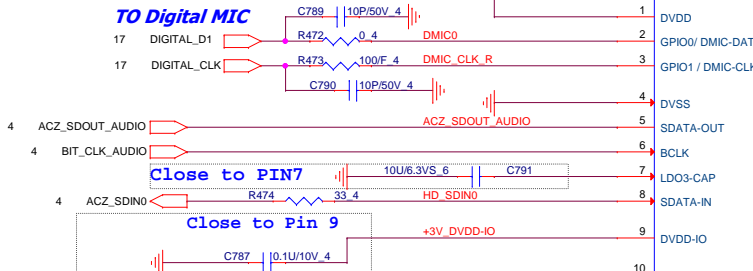
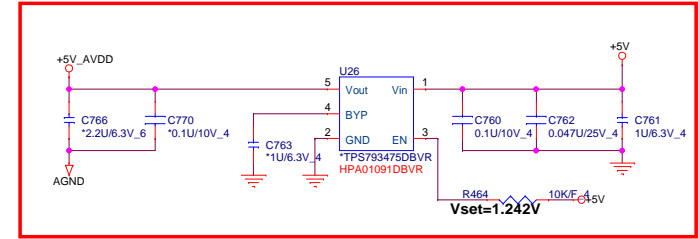
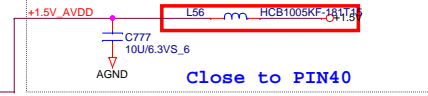
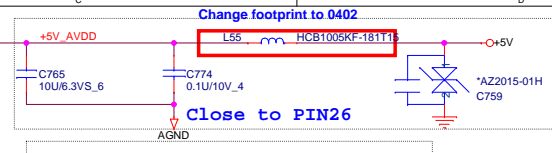
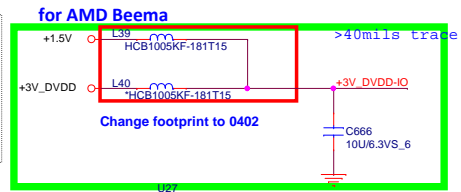
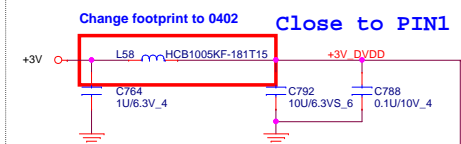
40 mils

SSM14 spec is 40V 1A



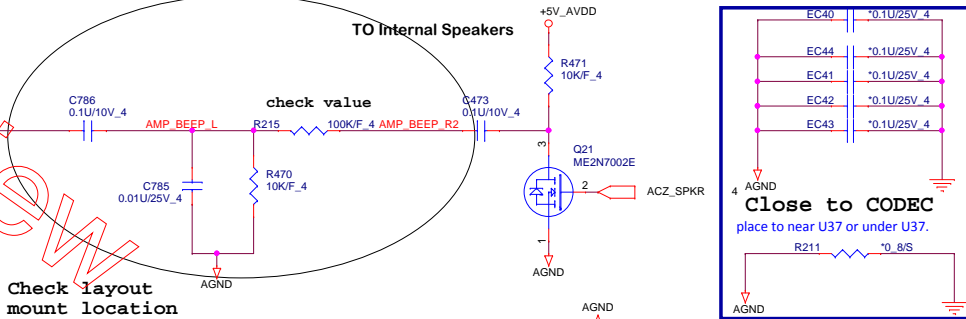
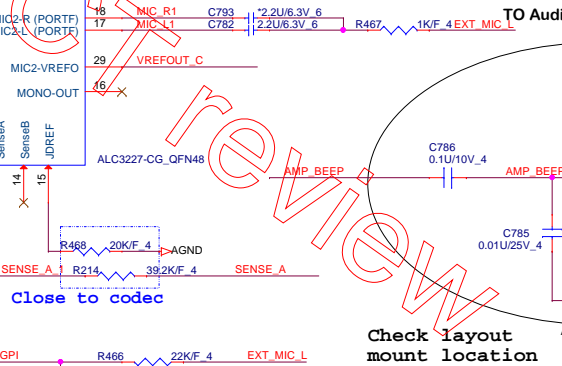
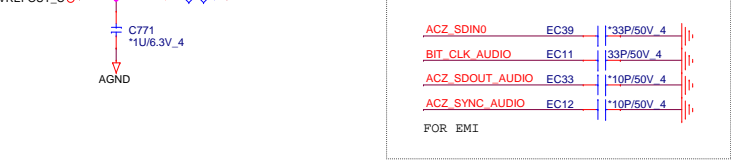
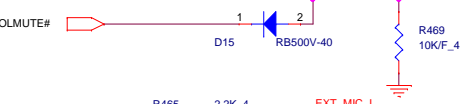
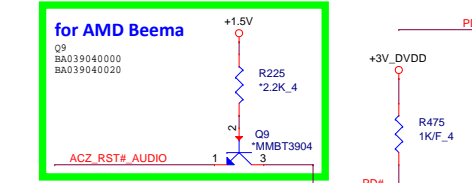
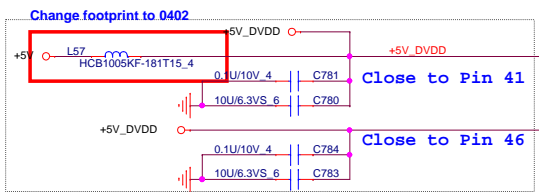
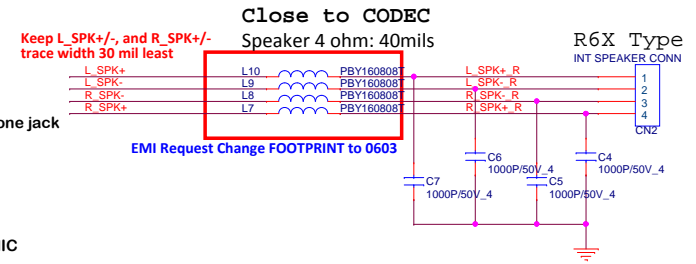
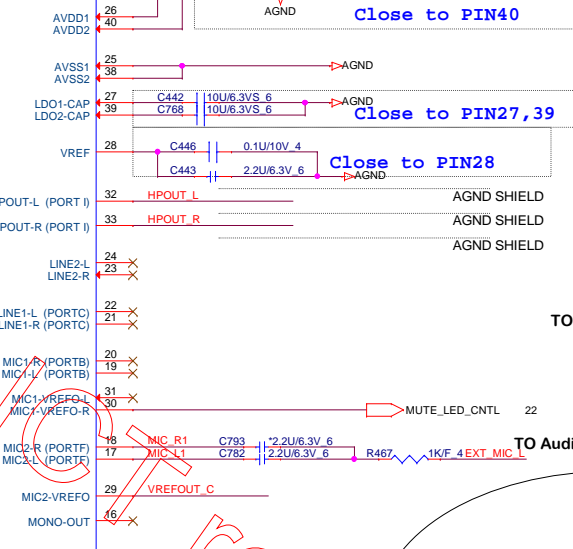
PROJECT :U99
Quanta Computer Inc.

Size Custom	Document Number LCD Connector (LVDS)	Rev 3A
Date: Monday, May 19, 2014 Sheet 17 of 33		

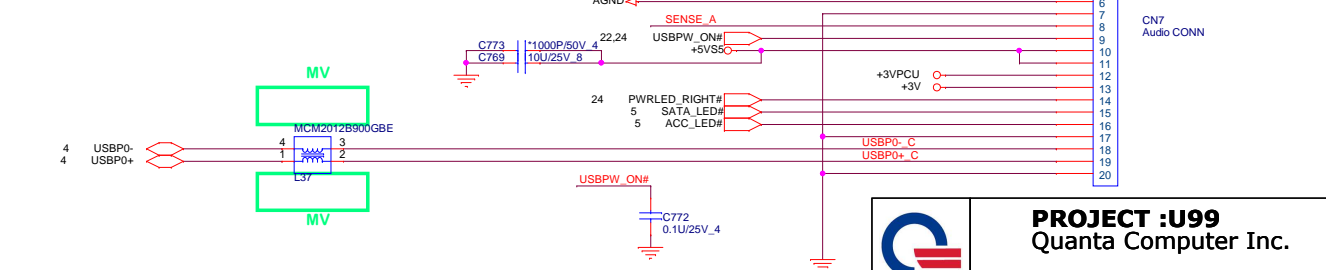


Analog

Digital



USB 2.0 AND AUDIO COMBO JACK



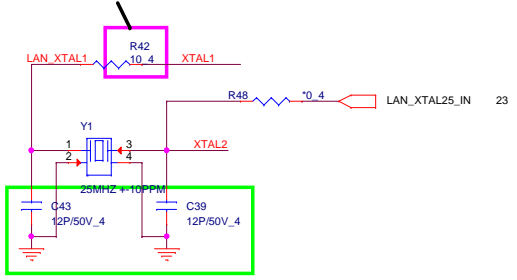
ACZ_SDIN0	EC39	*33P/50V_4
BIT_CLK_AUDIO	EC11	*33P/50V_4
ACZ_SDOUT_AUDIO	EC33	*10P/50V_4
ACZ_SYNC_AUDIO	EC12	*10P/50V_4

FOR EMI

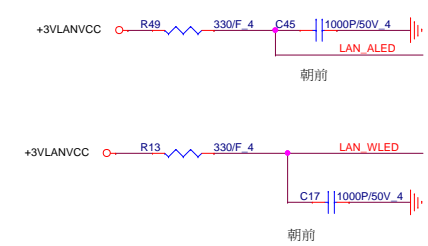
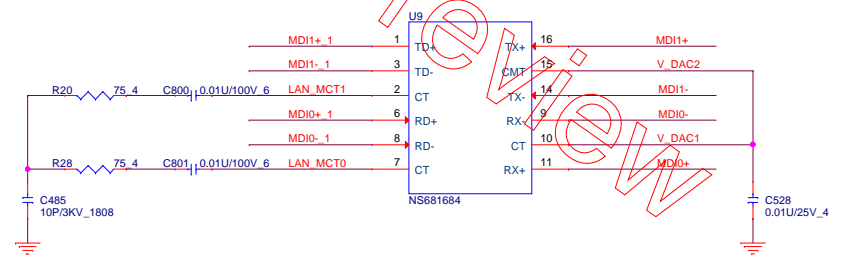
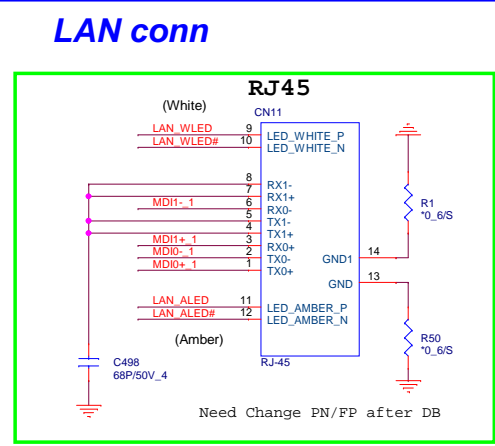
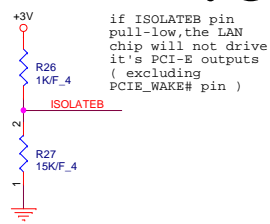
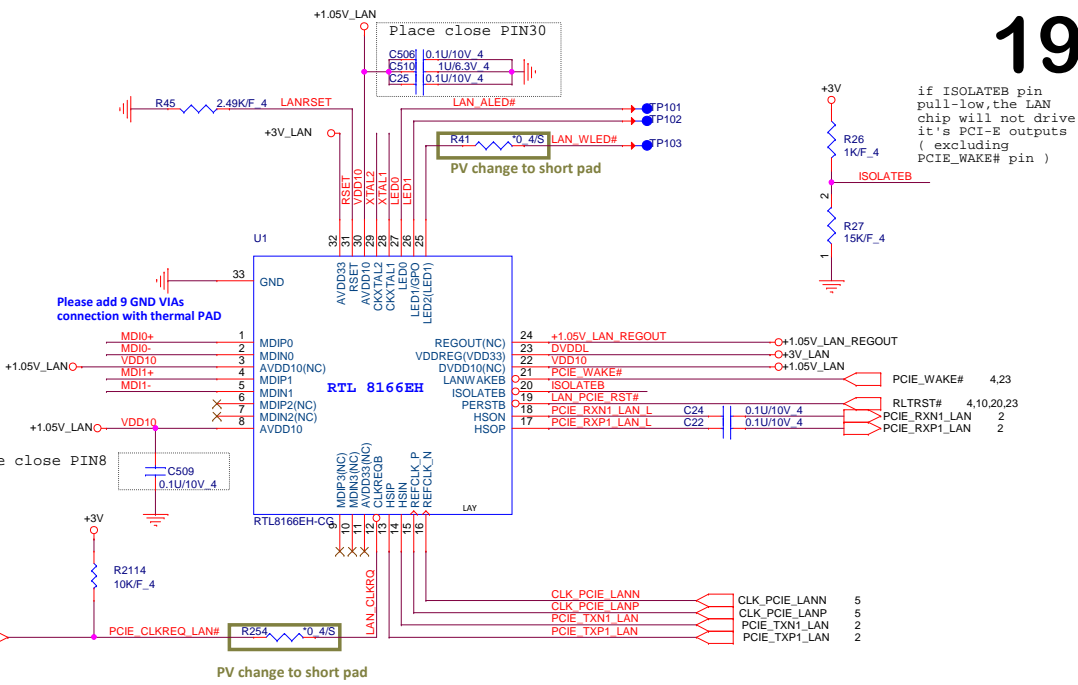
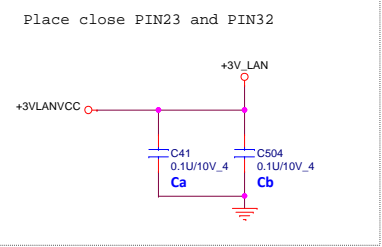
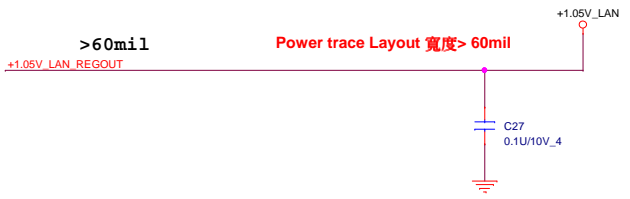
PROJECT :U99
Quanta Computer Inc.

Size Custom	Document Number Azalia ALC3227	Rev 1A
Date: Monday, May 19, 2014	Sheet 18	of 33

For EMI 0 ~ 22 ohm

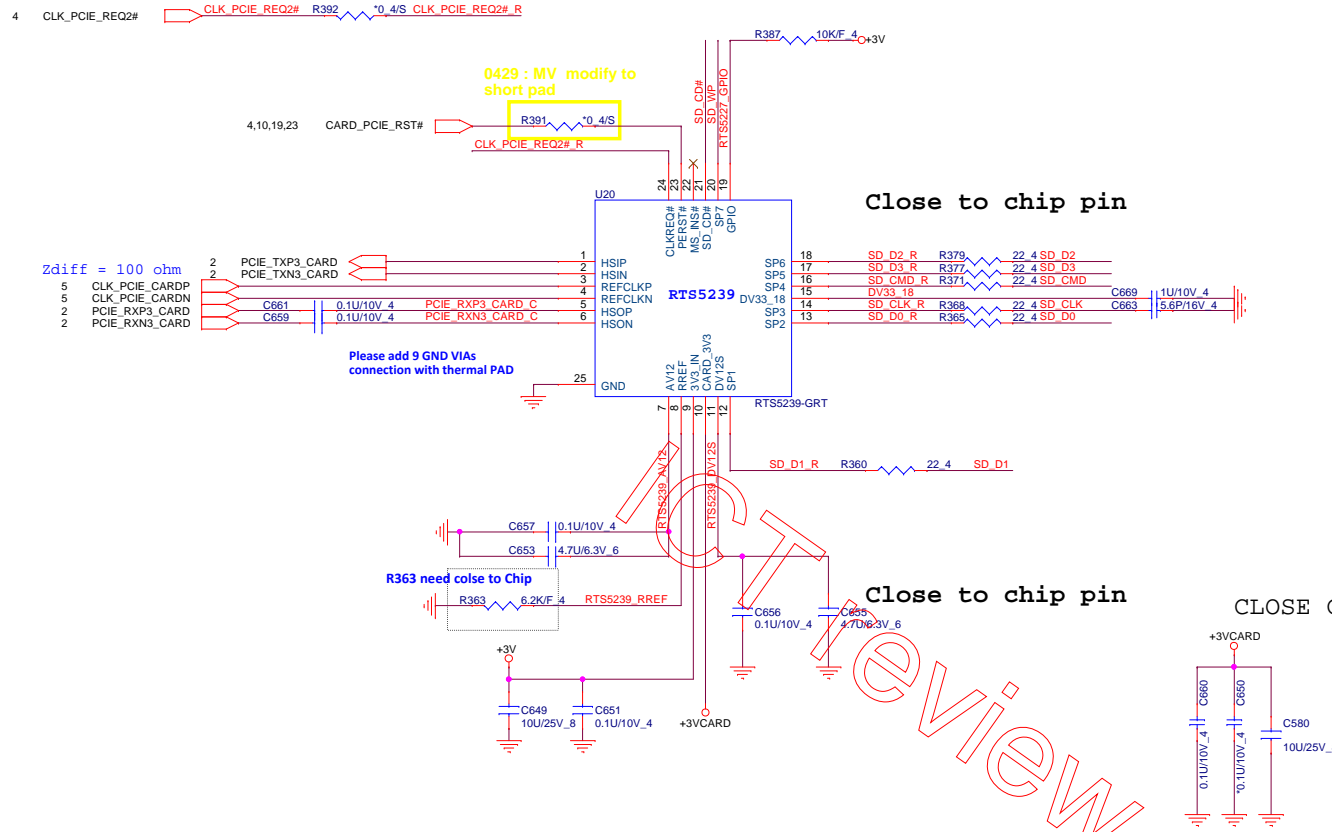


SI change to 12p



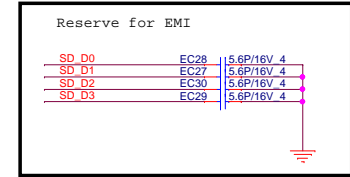
3,4,5,6,8,9,10,16,17,18,20,21,22,23,24,29,31,32,33 23,31 +3V +3VLANVCC

PROJECT :U99 Quanta Computer Inc.		
Size Custom	Document Number RTL 8166EH/RJ45	Rev 1A
Date: Monday, May 19, 2014	Sheet 19 of 33	

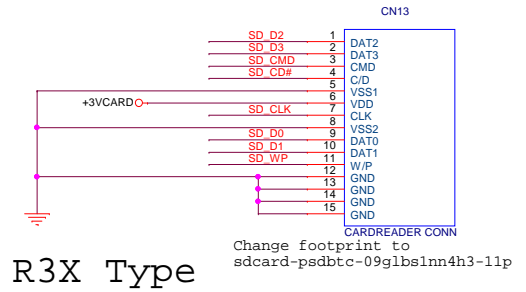


SP1	SD_D1	MS_D1
SP2	SD_D0	MS_D0
SP3	SD_CLK	MS_D0
SP4	SD_CMD	MS_D2
SP5	SD_D3	MS_D3
SP6	SD_D2	MS_CLK
SP7	SD_WP	MS_BS

Share Pin



SD / MMC
CARD READER

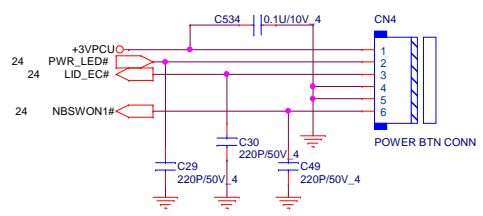


R3X Type

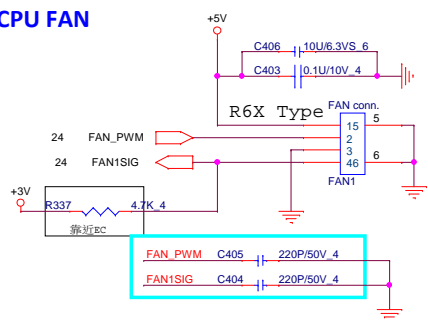
	PROJECT :U99		Rev 1A
	Quanta Computer Inc.		
	Size Custom	Document Number RT5239 & CR SOCKET	
	Date: Monday, May 19, 2014	Sheet 20 of 33	

Power Button Connector

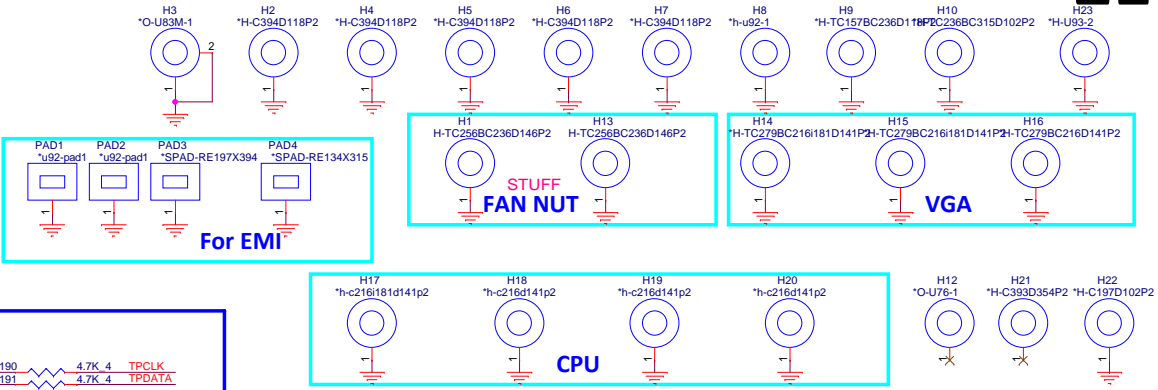
Pin1 : +3VPCU(LIDSWITCH PWR)
Pin2 : POWER LED
Pin3 : LIDSWITCH
Pin4 : GND
Pin5 : GND
Pin6 : POWERON#



CPU FAN

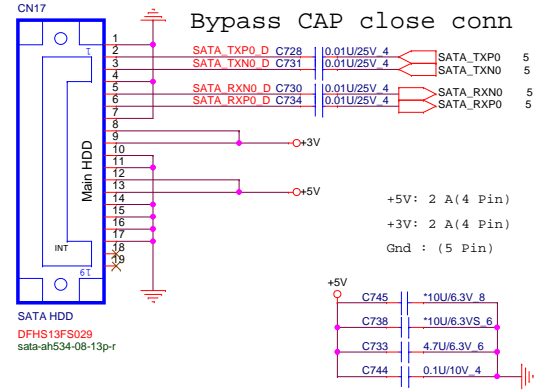


Hole

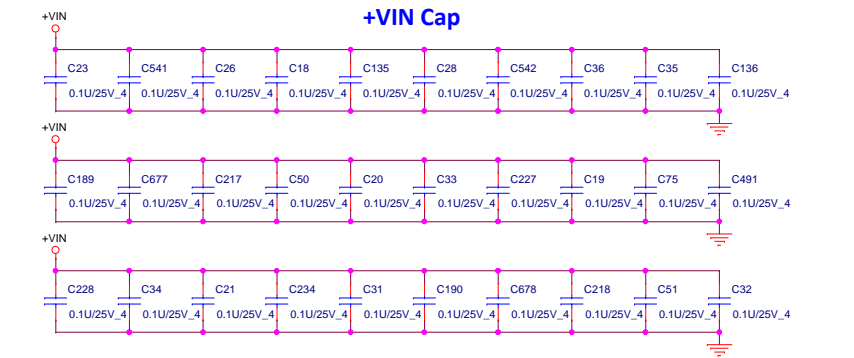
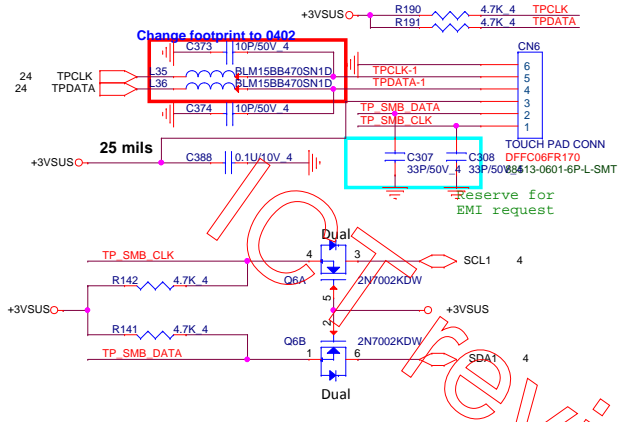


SATA HDD Connector(Cable type)

Bypass CAP close conn

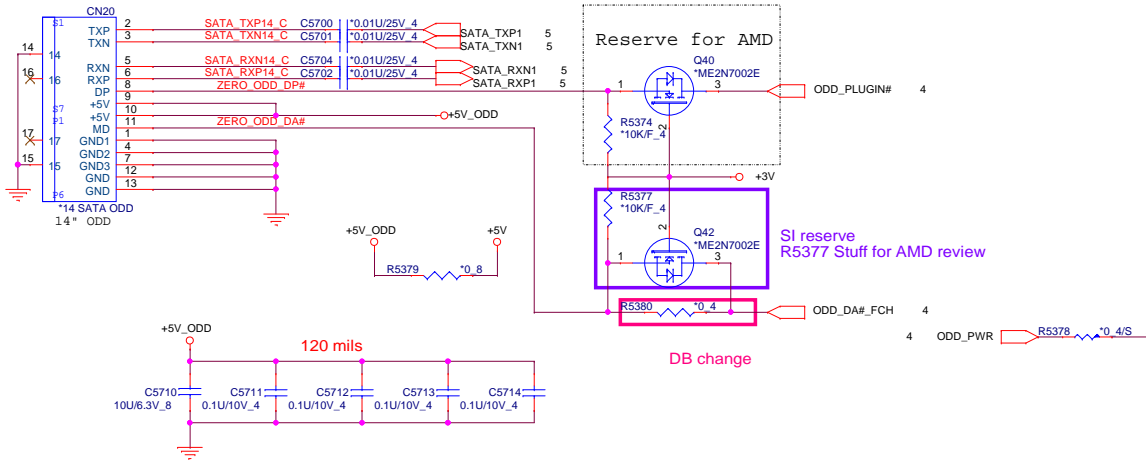


Touch Pad



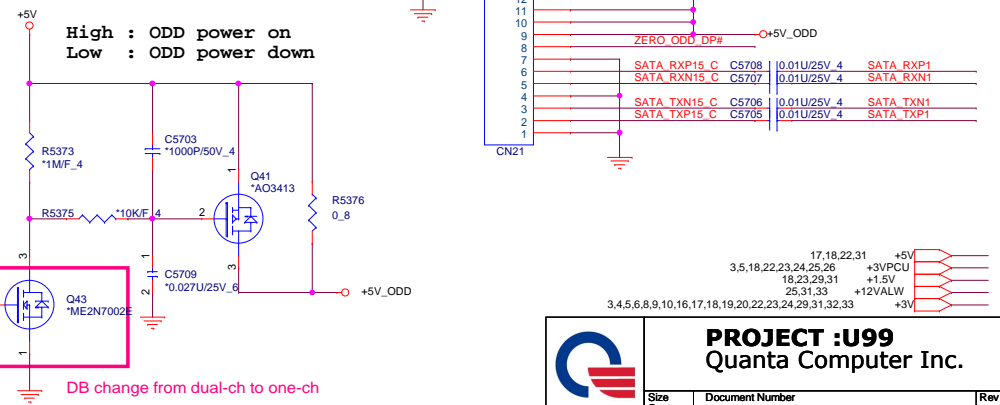
SATA ODD CONNECTOR

14" SATA ODD Bypass CAP close conn



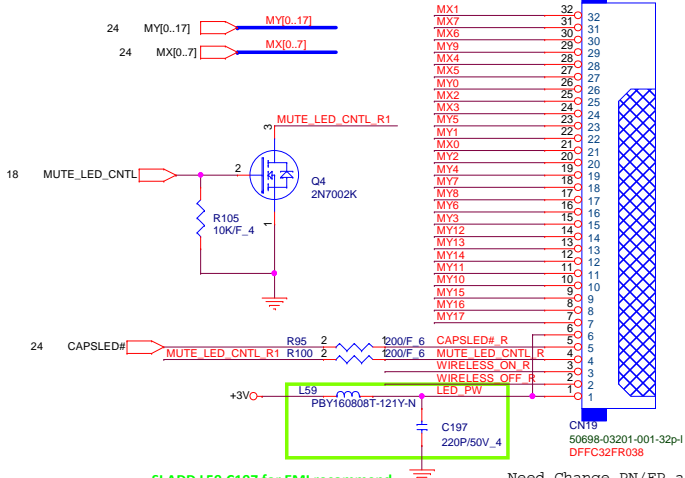
15" SATA ODD

New Type

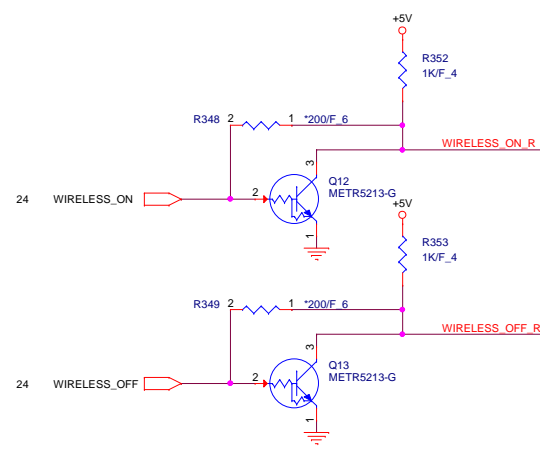
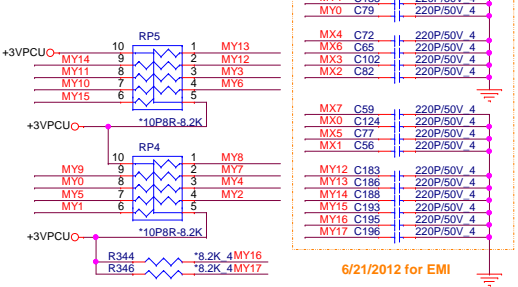


PROJECT :U99
Quanta Computer Inc.
Size Custom Document Number SATA HDD/ODD/MSATA CONN Rev 1A
Date: Monday, May 19, 2014 Sheet 21 of 33

KEYBOARD Con.



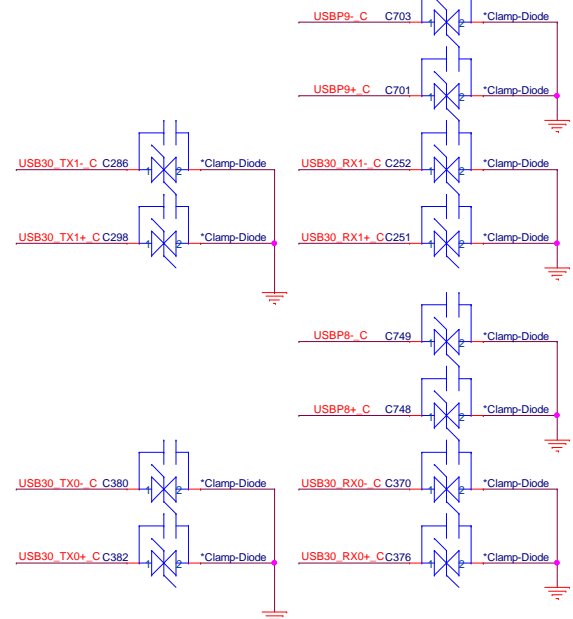
KEYBOARD PULL-UP



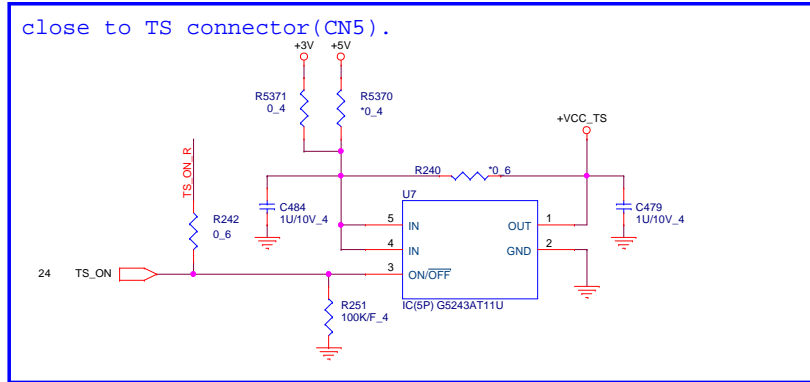
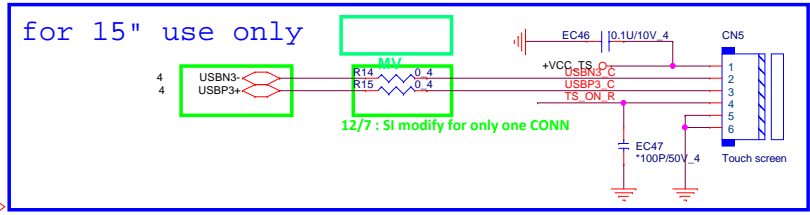
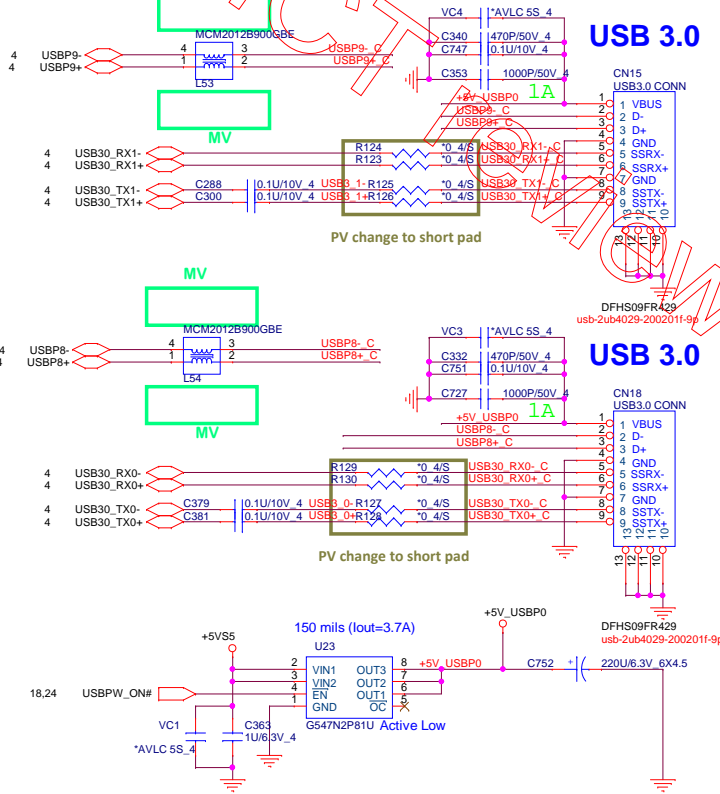
SI ADD L59,C197 for EMI recommend

NM9 Type

USB 2.0/3.0 Combo



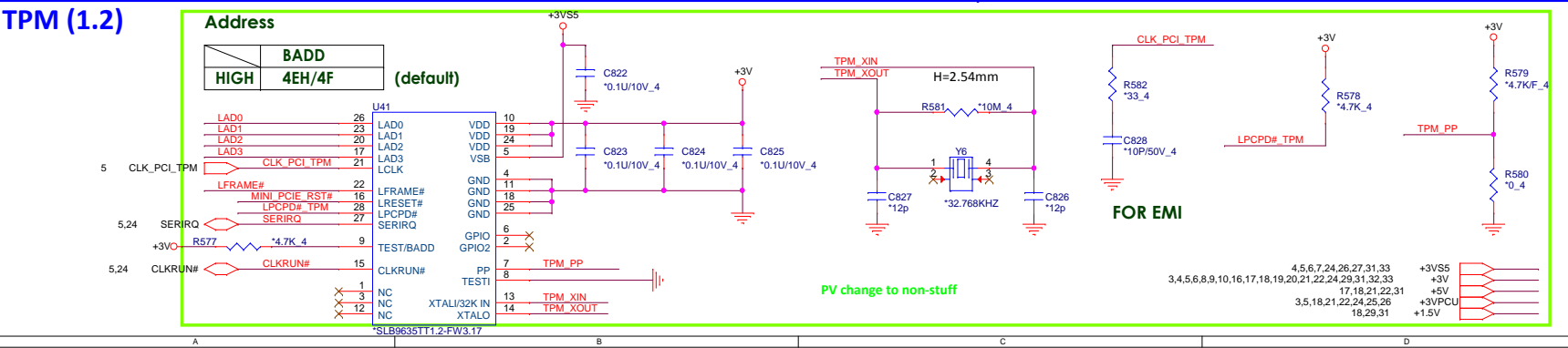
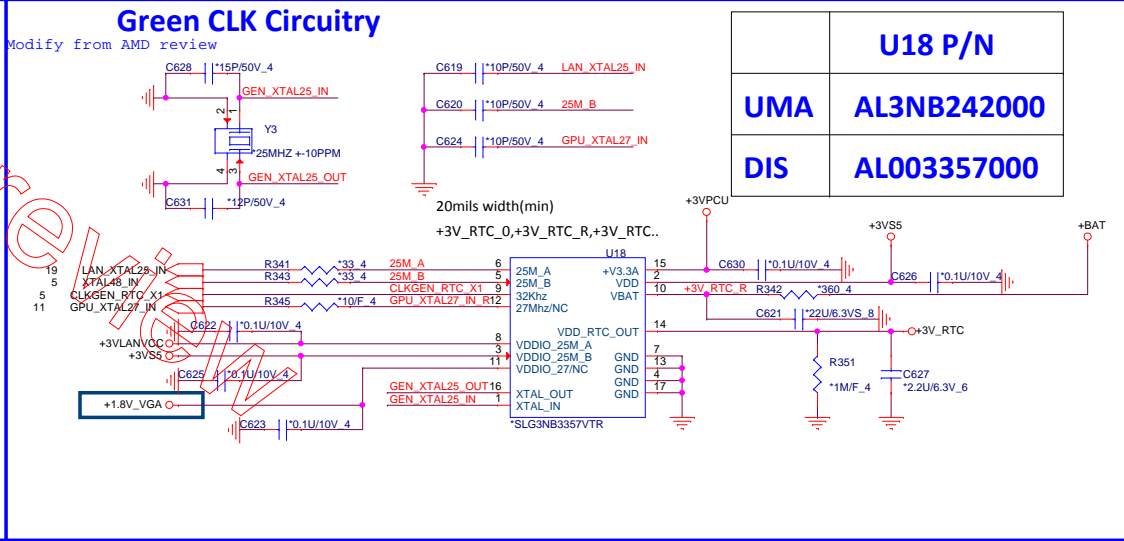
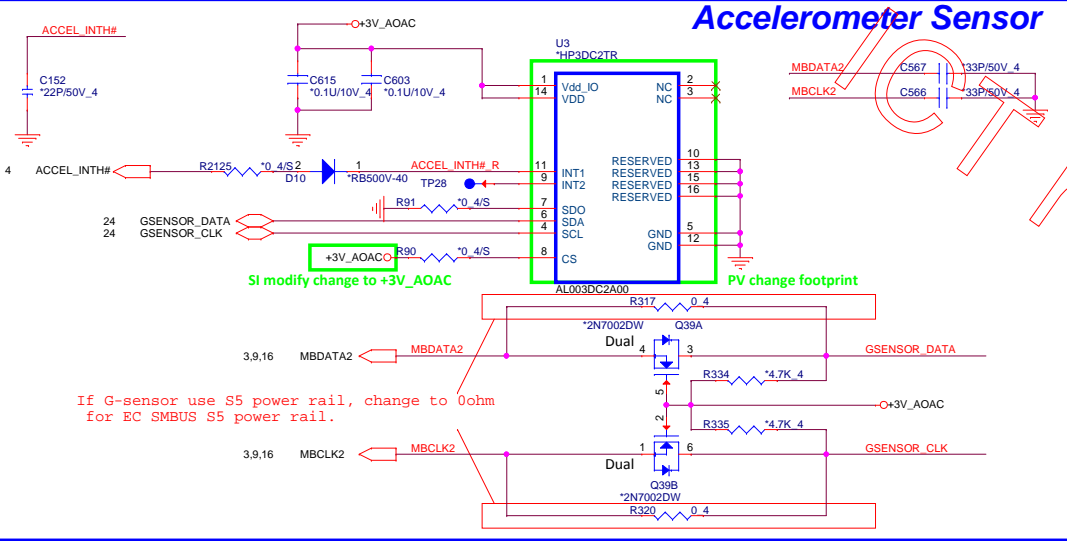
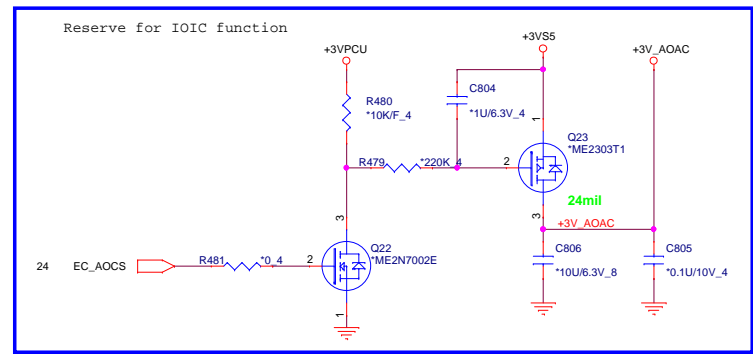
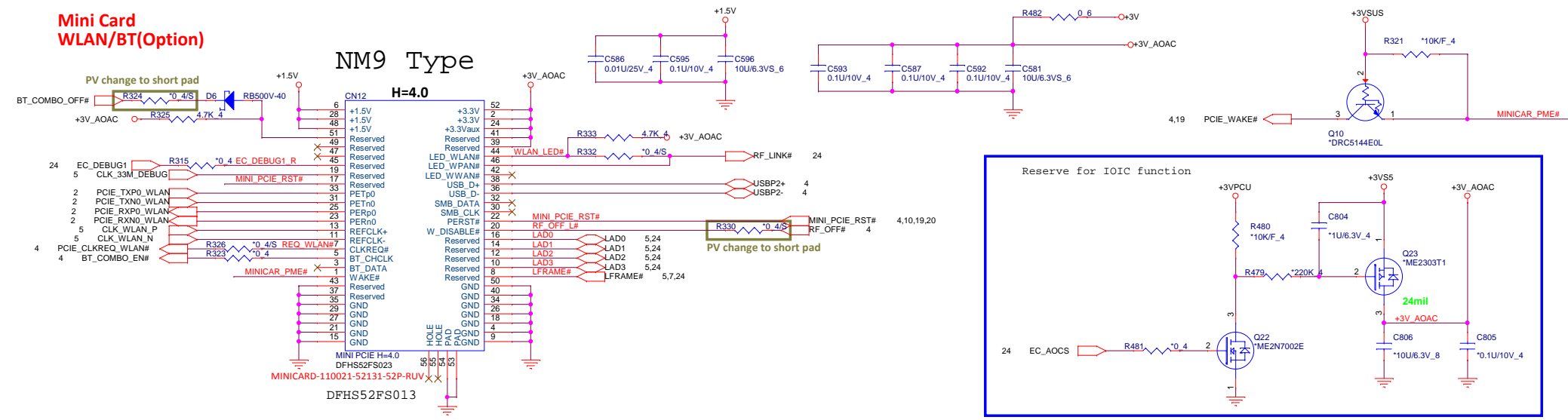
SPS Type



PROJECT :U99
Quanta Computer Inc.

Size Custom	Document Number	Rev 1A
	USB 3.0/KB/Green CLK	
Date: Monday, May 19, 2014	Sheet 22of	33

Mini Card WLAN/BT(Optional)



PROJECT :U99
Quanta Computer Inc.

Size	Document Number	Rev
Custom	MINI-PCIE/LED	1A
Date: Monday, May 19, 2014	Sheet	23of 33

3,4,5,6,8,9,10,16,17,18,19,20,21,22,23,29,31,32,33
3,5,18,21,22,23,25,26

ITE pin 100 , 104 , 106 default can not pull up to +3VPCU it will cause chip into test mode

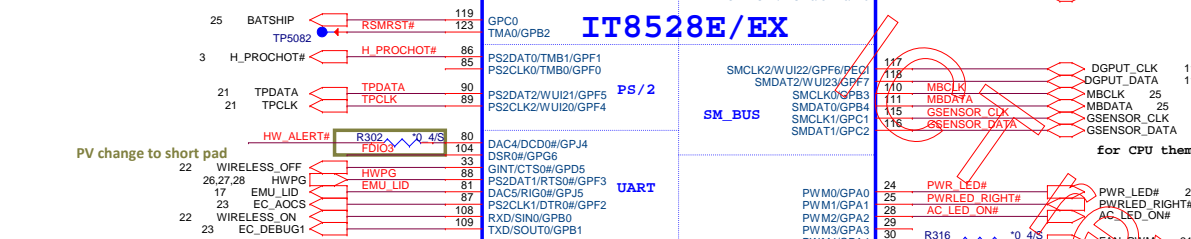
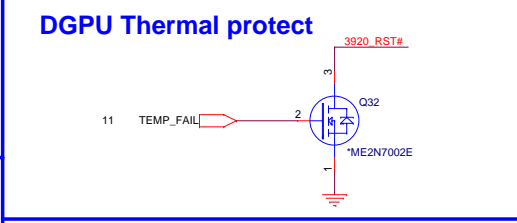
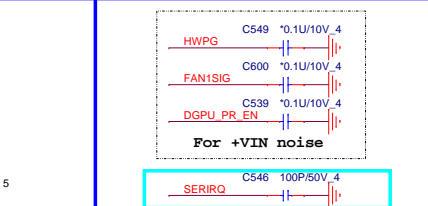
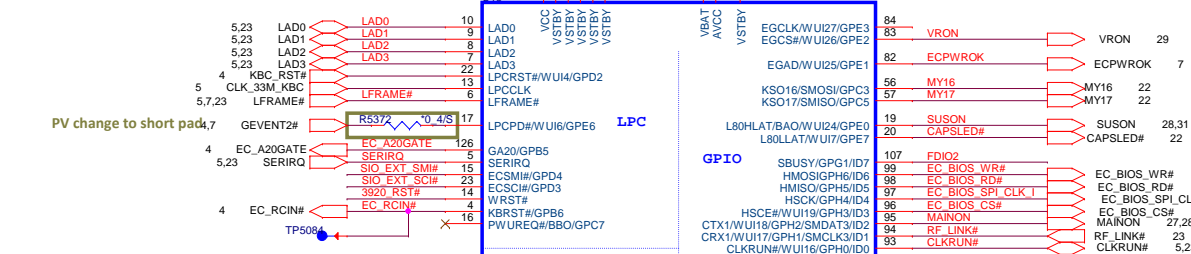
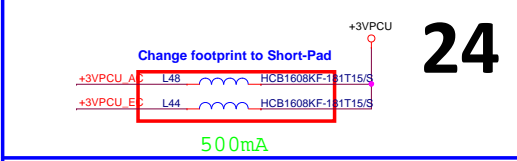
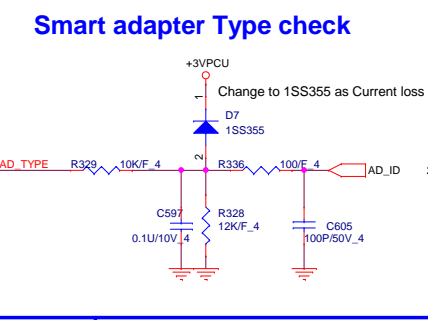
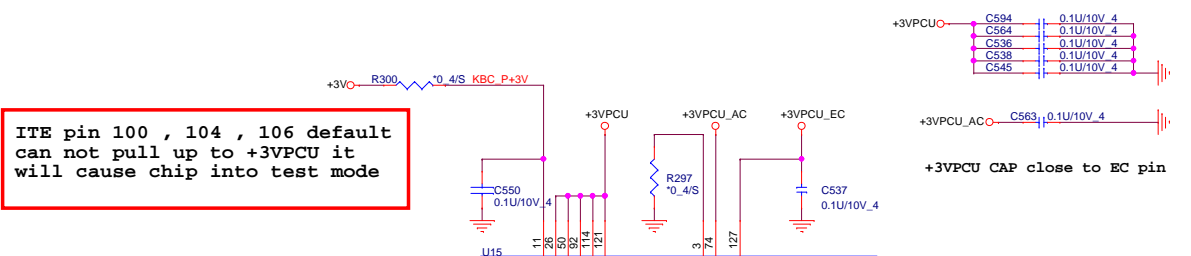
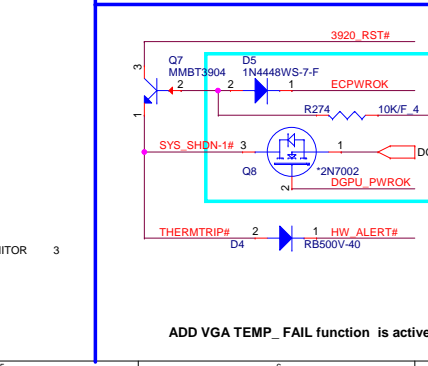
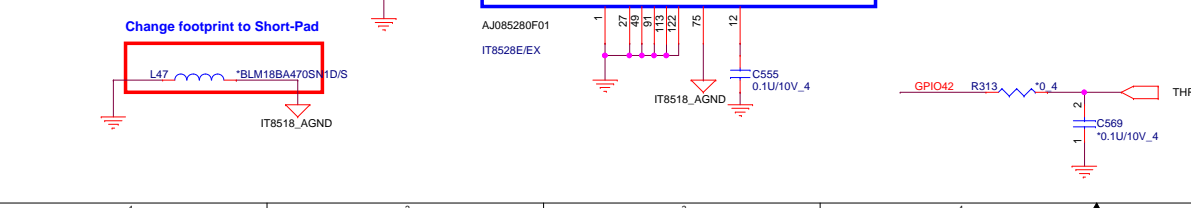
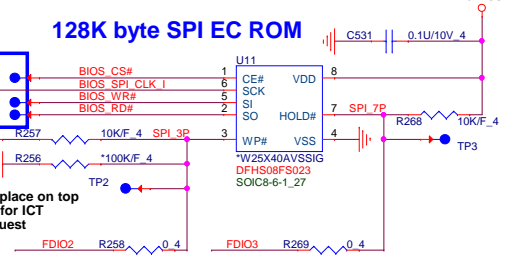
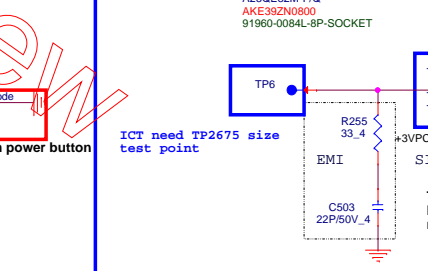
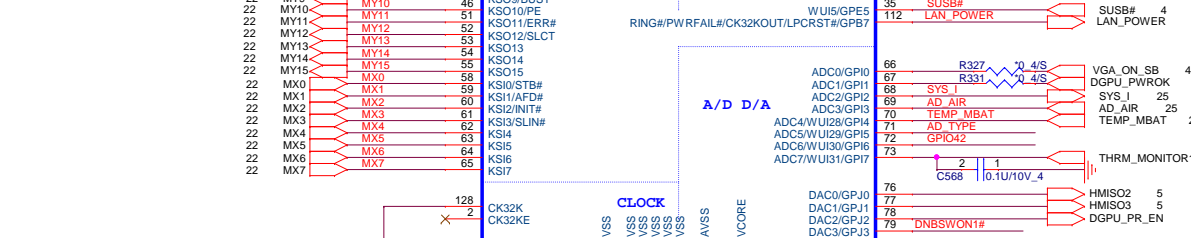
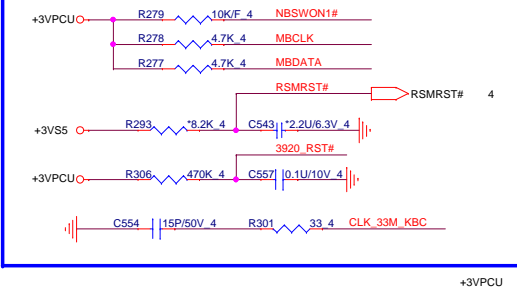
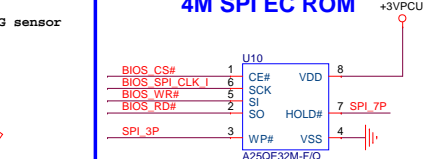
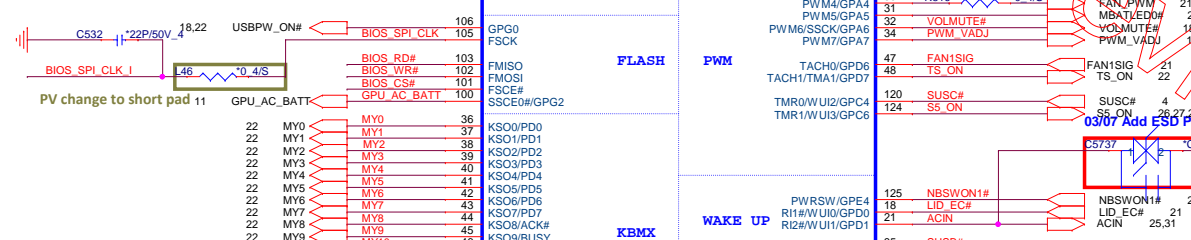
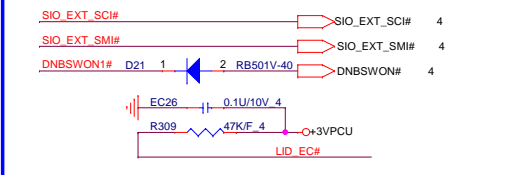
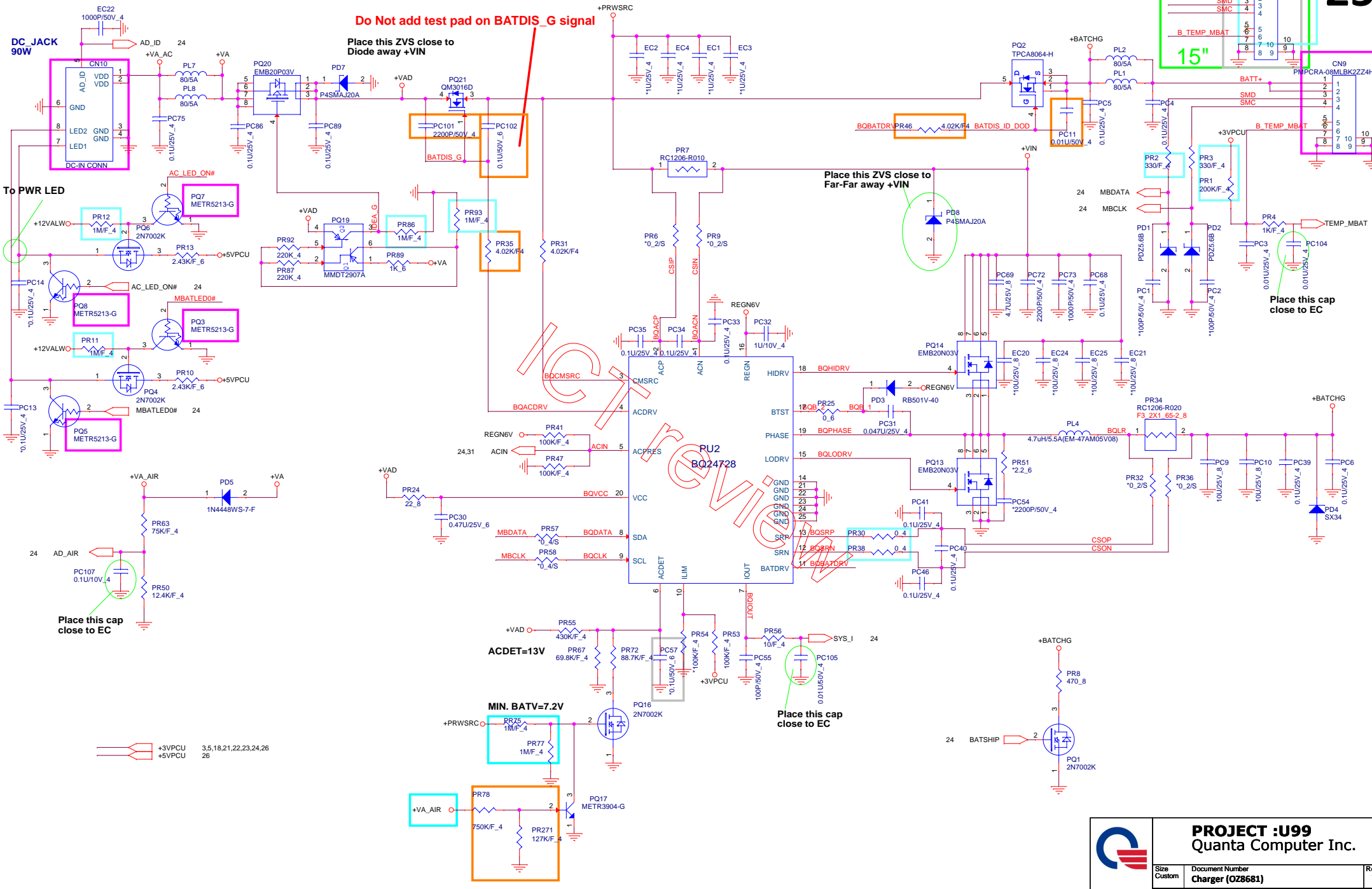



Table with 3 columns: Vender, Size, P/N. Rows include AIT (4M, AKE39ZN0800), EON (4M, AKE39ZN0Q03), WND (4M, AKE39FN0N01), and Socket (DFHS08FS023).



Adapter select table with columns: Platform model, GPIO42, adapter. Rows include A6 25W CPU + DIS (High, 90W) and DIS/SG/UMA (Low, 65W).

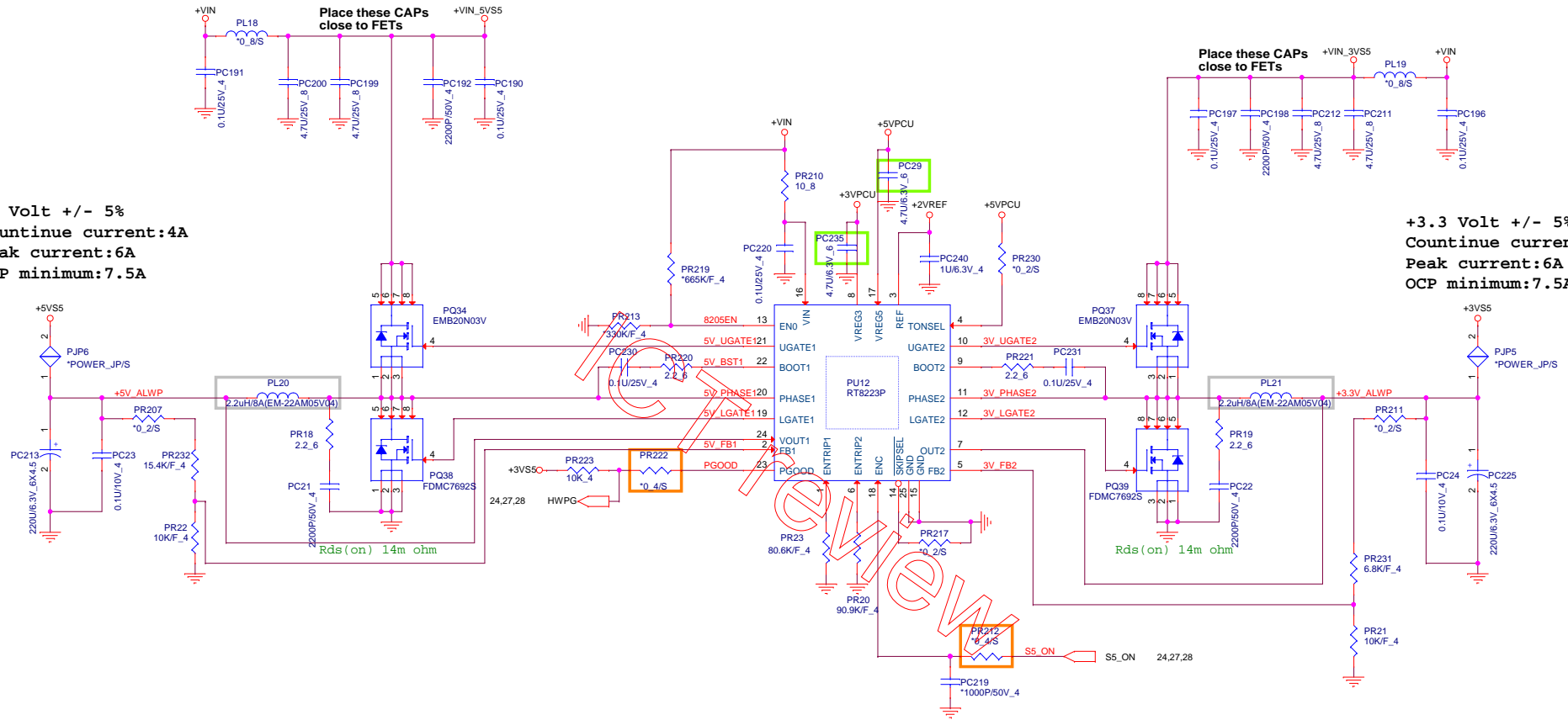



+3VPCU 3,5,18,21,22,23,24,26
 +5VPCU 26

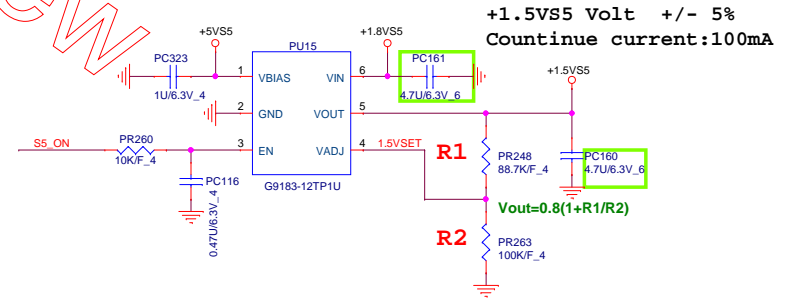
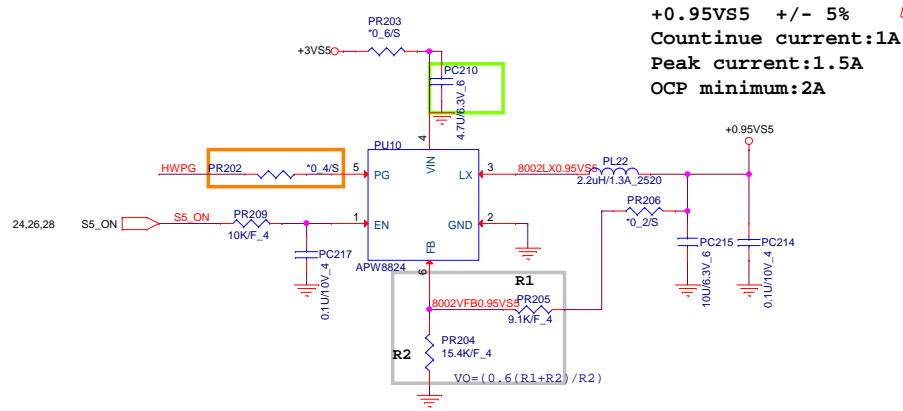
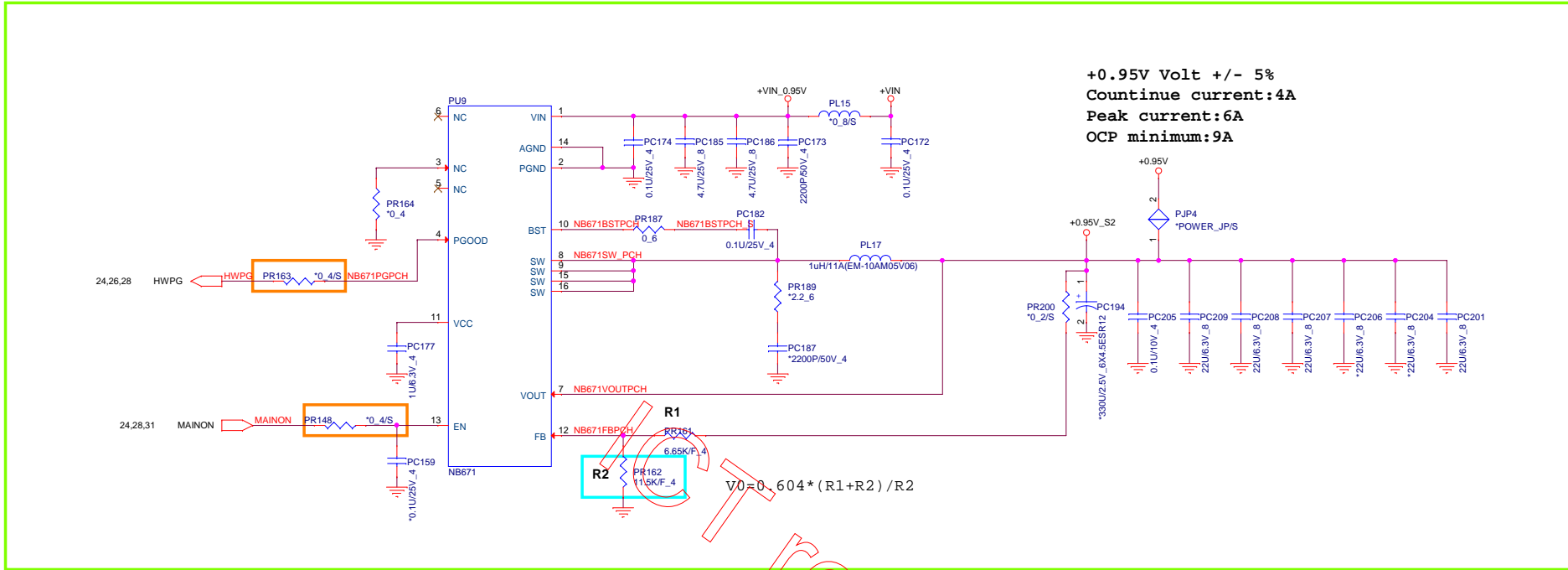
 PROJECT :U99 Quanta Computer Inc.		
Size Custom	Date: Monday, May 19, 2014	Sheet 25 of 33


+5 Volt +/- 5%
Countinue current:4A
Peak current:6A
OCP minimum:7.5A

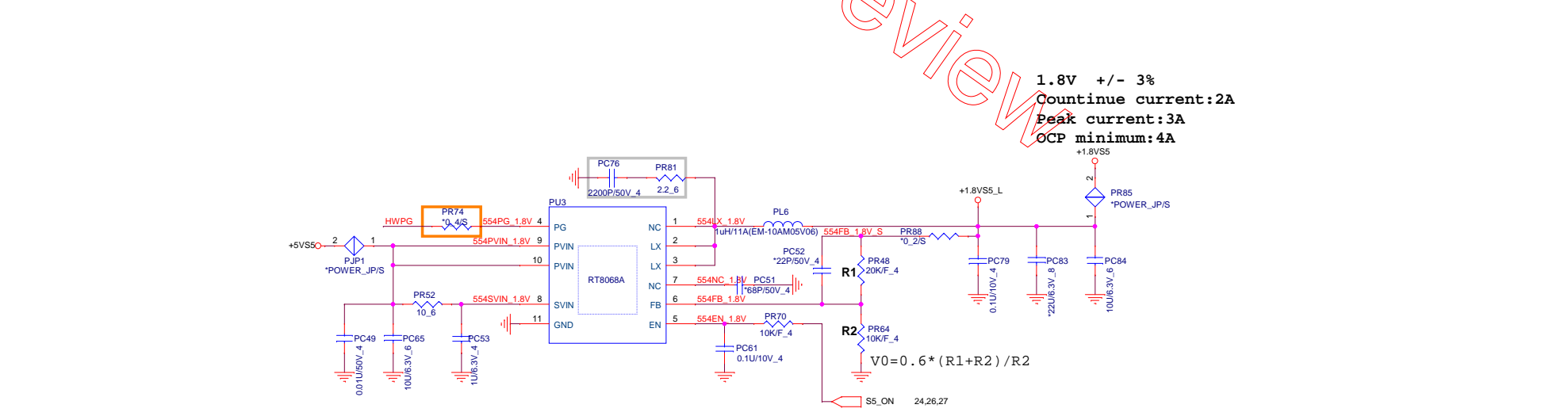
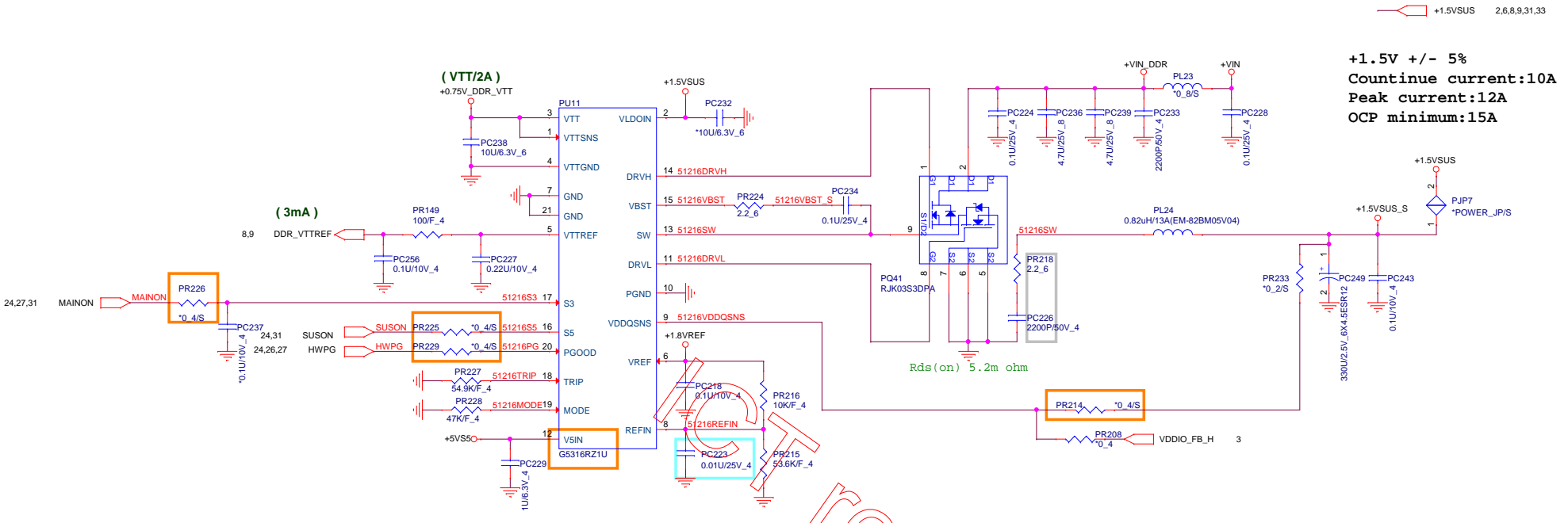
+3.3 Volt +/- 5%
Countinue current:4A
Peak current:6A
OCP minimum:7.5A




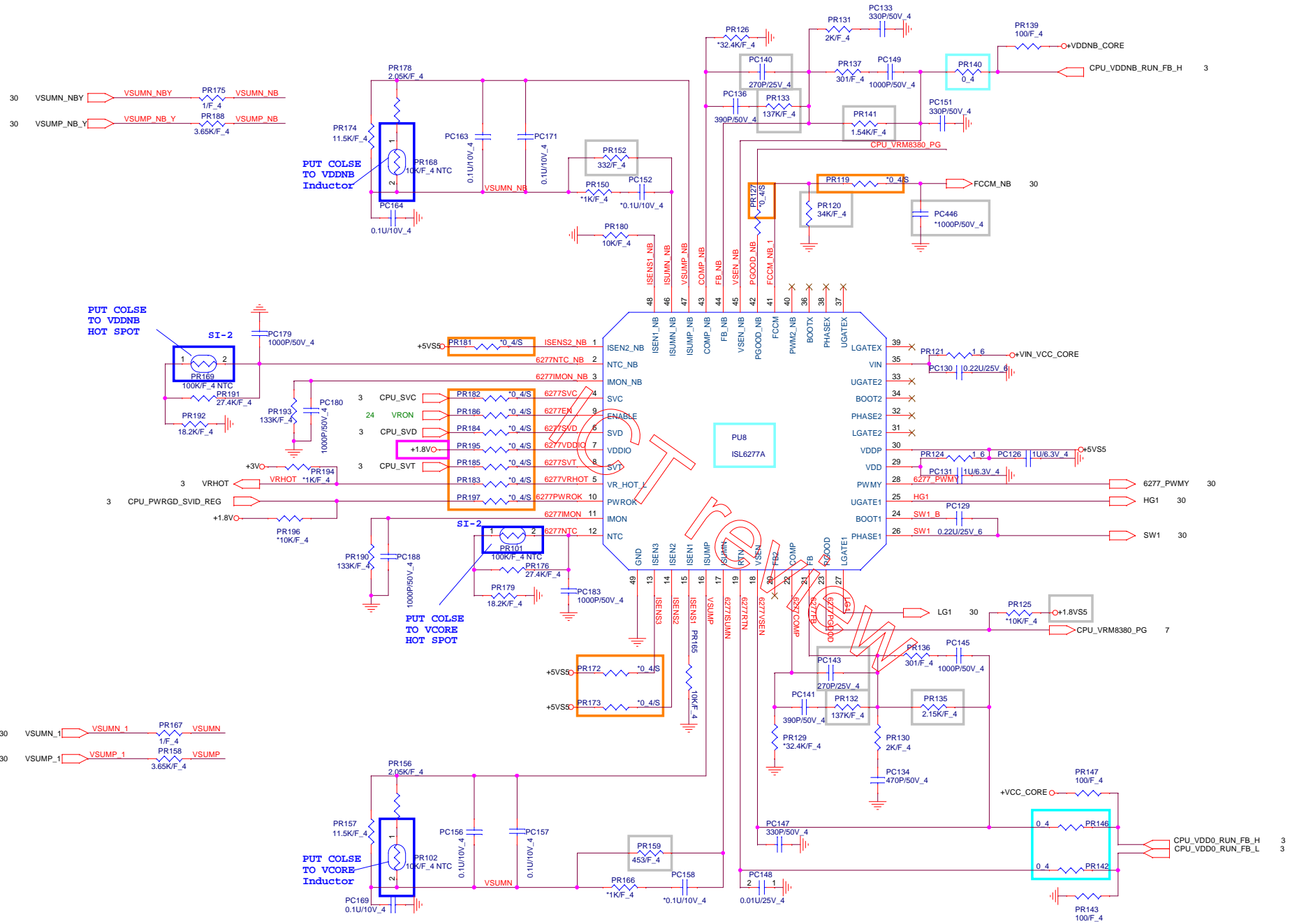
	PROJECT :U99 Quanta Computer Inc.		
	Size Custom	Document Number 3/5VPCU(RT8223P)	Rev 1A
	Date: Monday, May 19, 2014	Sheet 26	of 33




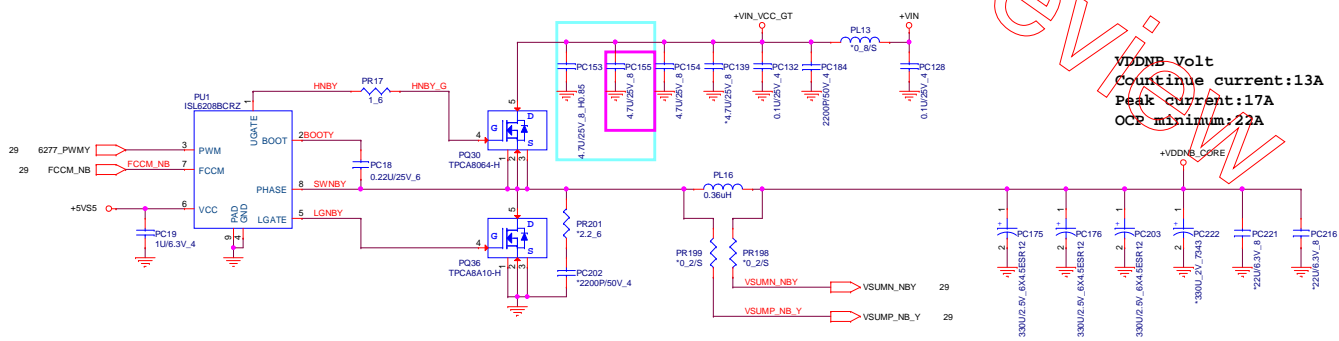
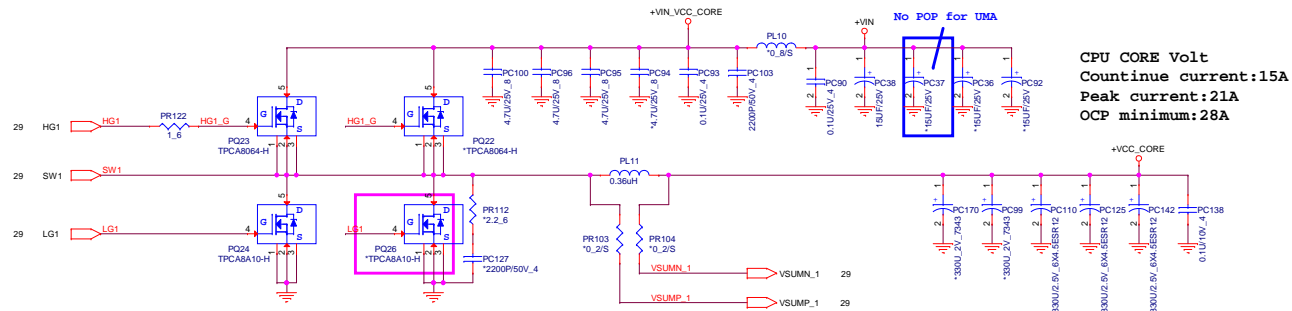
 PROJECT :U99 Quanta Computer Inc.			Rev
			1A
Size	Document Number	Date: Monday, May 19, 2014	
Custom	+1.2V (RT8228)	Sheet	27 of 33

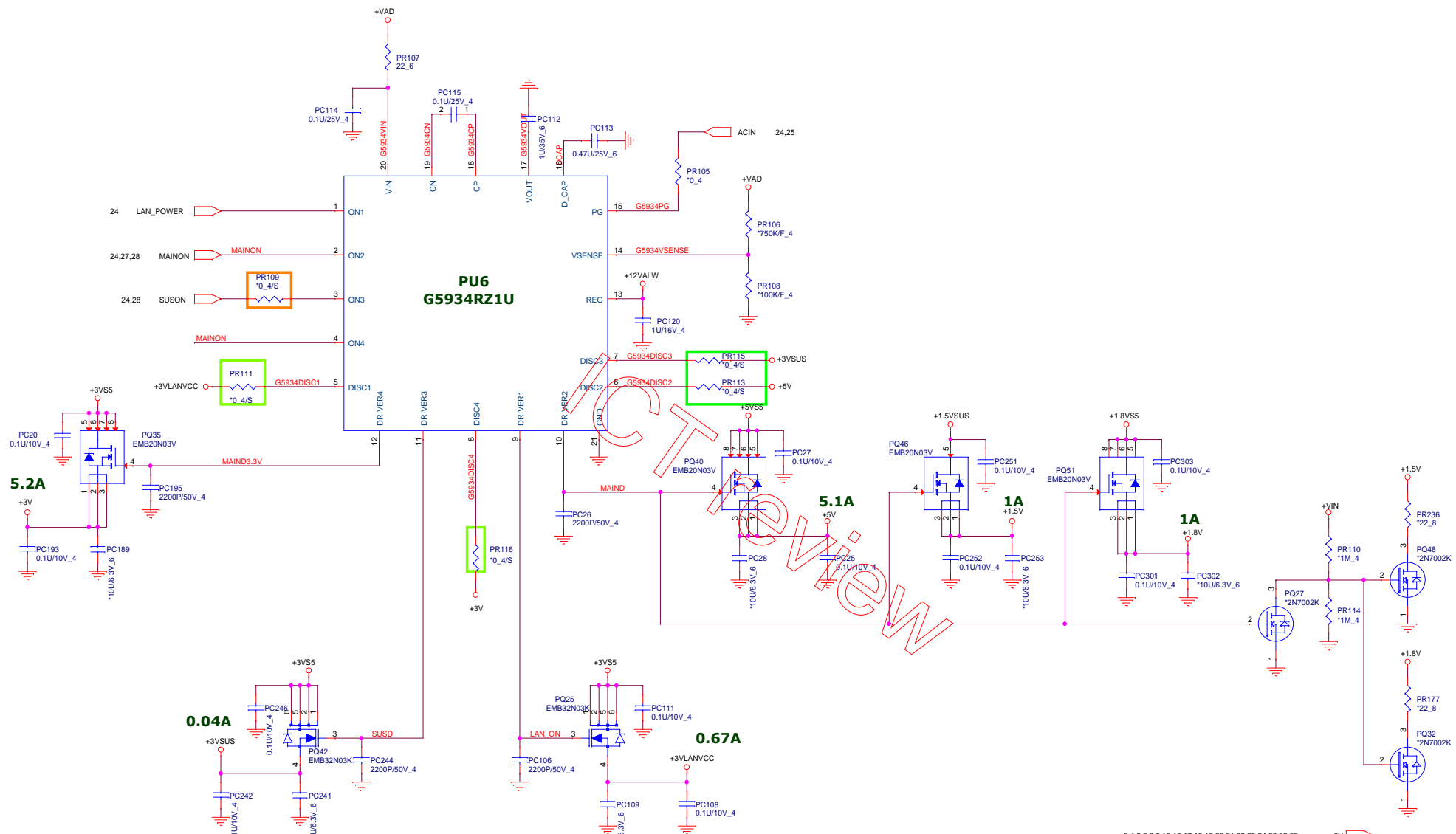


 PROJECT :U99 Quanta Computer Inc.				
			Size Custom	Document Number DDR3 (TP551216)
Date: Monday, May 19, 2014			Sheet 26	of 33




 PROJECT :U99 Quanta Computer Inc.		

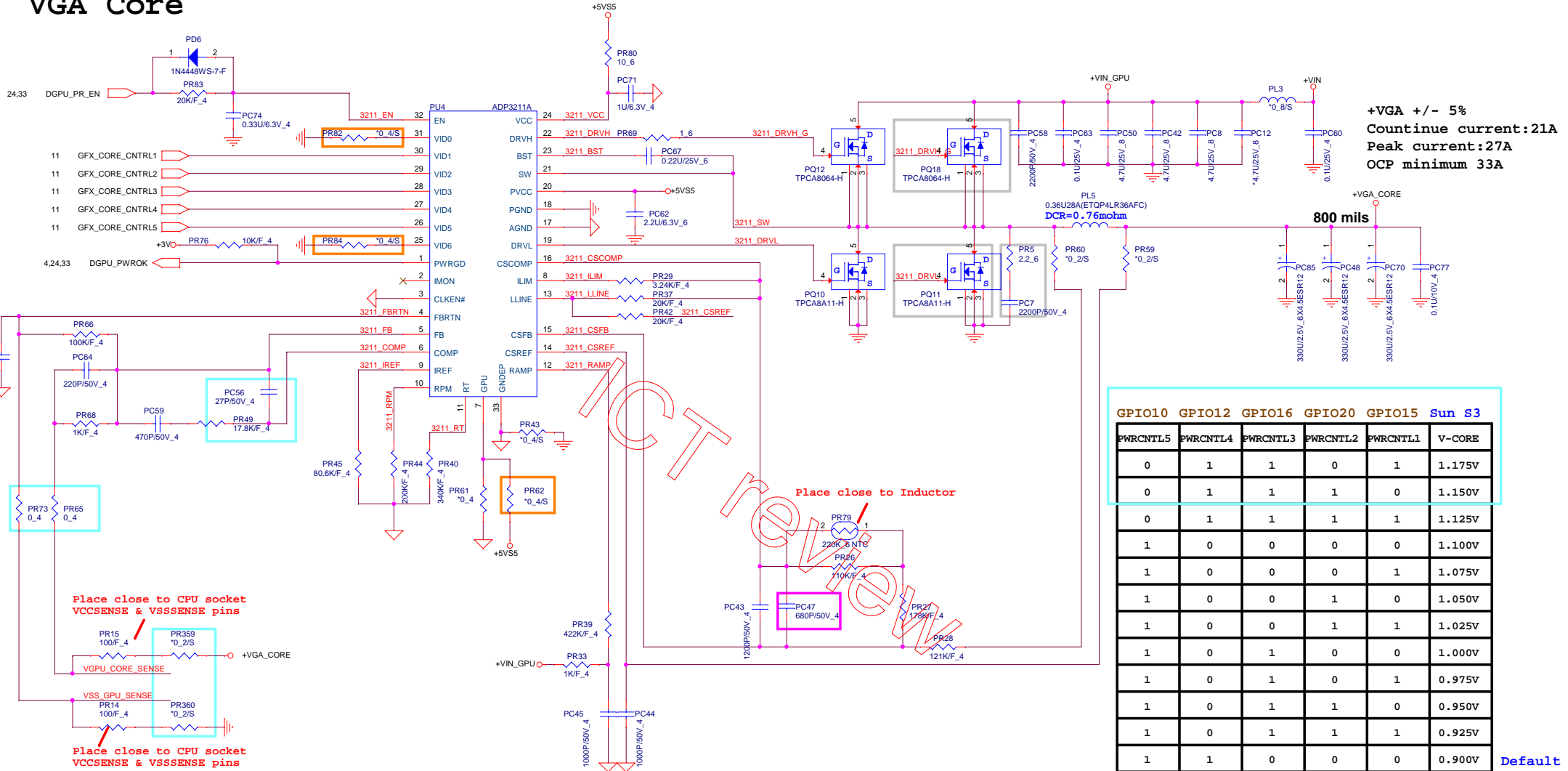




- 3,4,5,6,8,9,10,16,17,18,19,20,21,22,23,24,29,32,33 +3V
- 17,18,21,22 +5V
- 17,21,25,26,27,28,30,32,33 +VIN
- 4,5,6,7,23,24,26,27,33 +3VS5
- 18,22,26,27,28,29,30,32 +5VS5
- 25,33 +12VALW
- 19,23 +3VLANVCC
- 8,9,28 +0.75V_DDR_VTT

	PROJECT :U99	
	Quanta Computer Inc.	
Size Custom	Document Number Dis-charge IC (SLG55448V)	Rev 1A
Date: Monday, May 19, 2014	Sheet 31	of 39

VGA Core

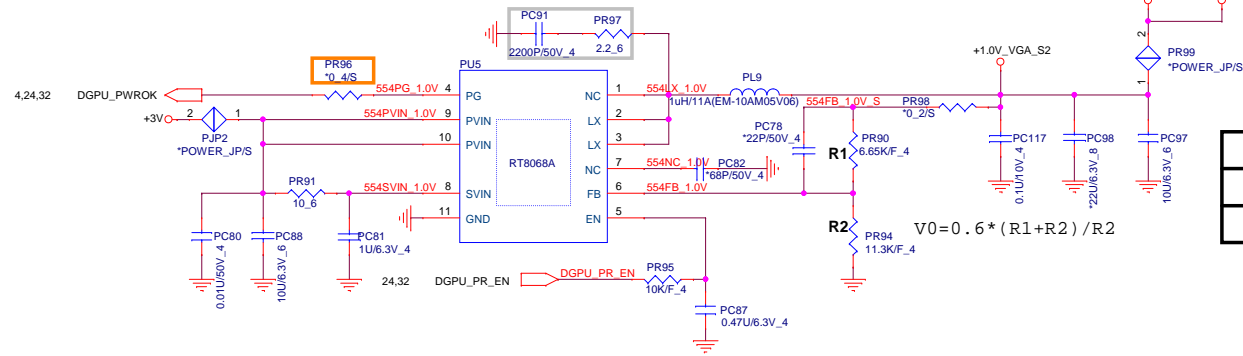


PROJECT :U99
Quanta Computer Inc.

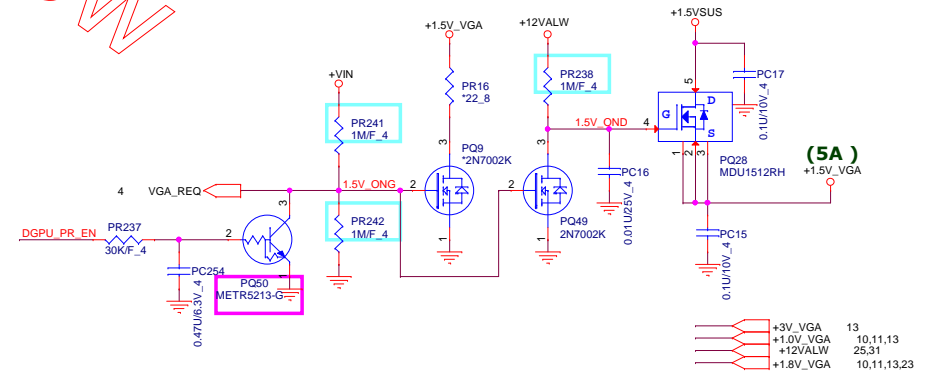
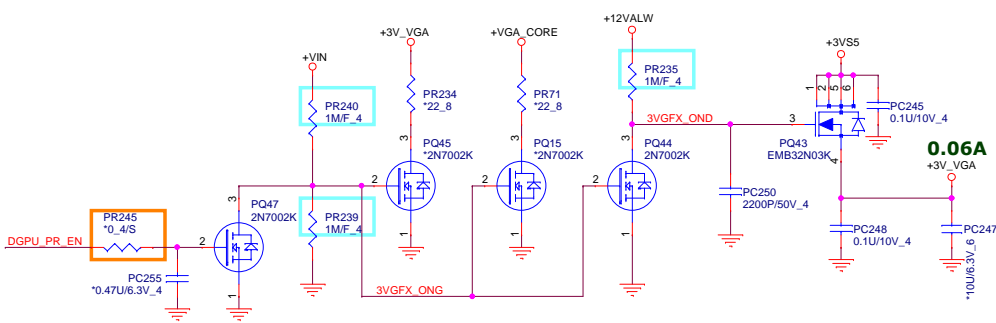
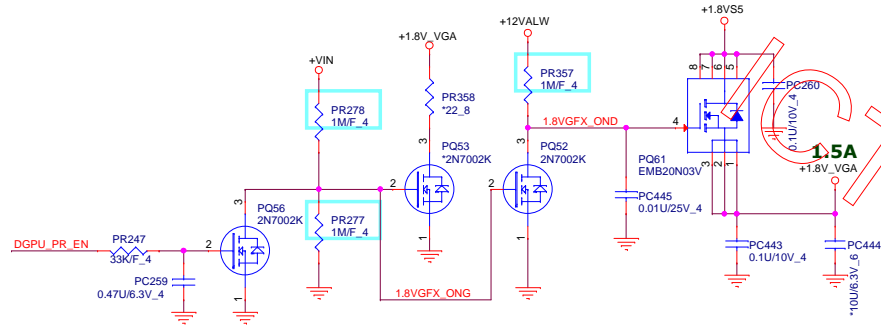
Size Custom | Document Number +VGA CORE NCP3218G | Rev 1A

Date: Monday, May 19, 2014 | Sheet 32 of 33

+0.95V +/- 3%
 Countinue current:2A
 Peak current:3A
 OCP minimum:4A



R2 Value	P/N	1.0V_VGA
10K	CS31002FB26	1.0V
11.3K	CS31132FB07	0.95V



- +3V_VGA 13
- +1.0V_VGA 10,11,13
- +12VALW 25,31
- +1.8V_VGA 10,11,13,23

review

PROJECT :U99
 Quanta Computer Inc.

Size Custom	Document Number +VGA POWER	Rev 1A
Date: Monday, May 19, 2014		Sheet 33 of 33