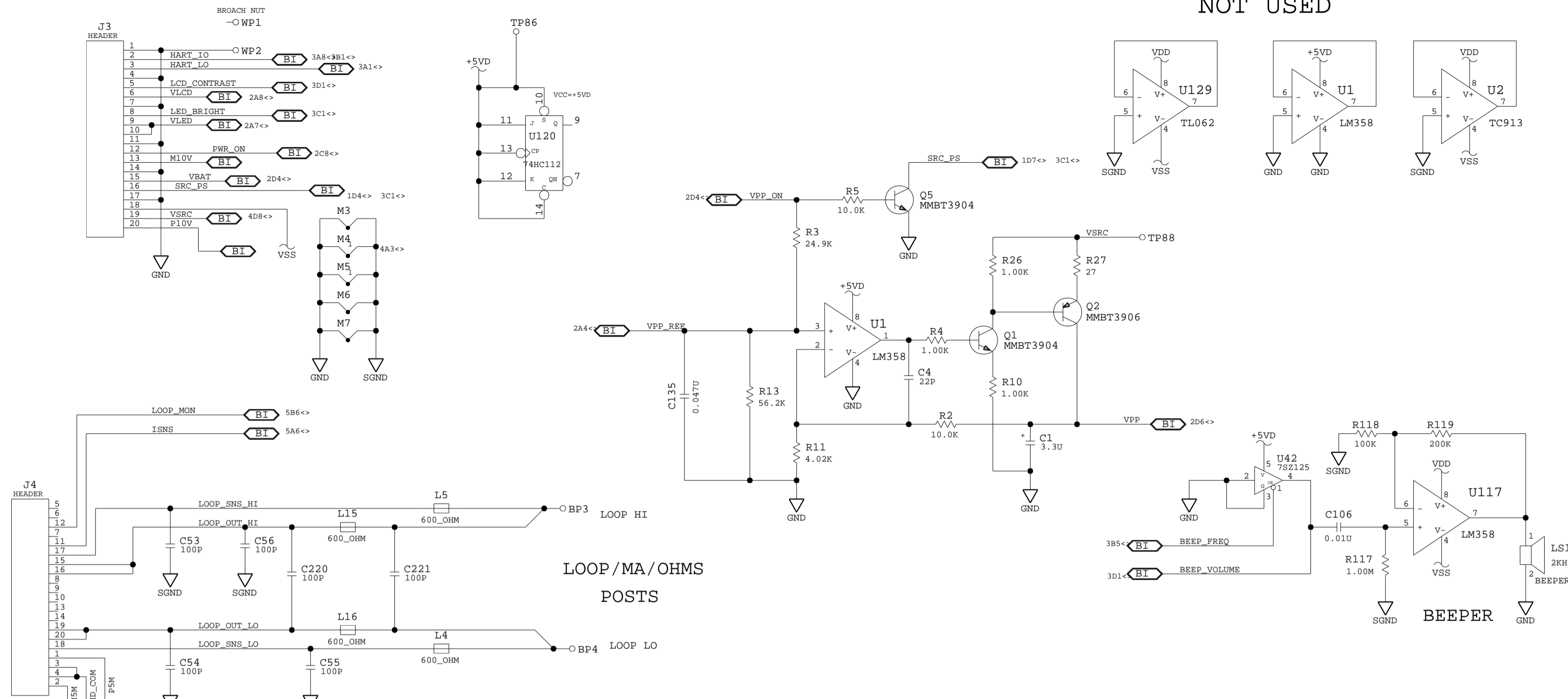
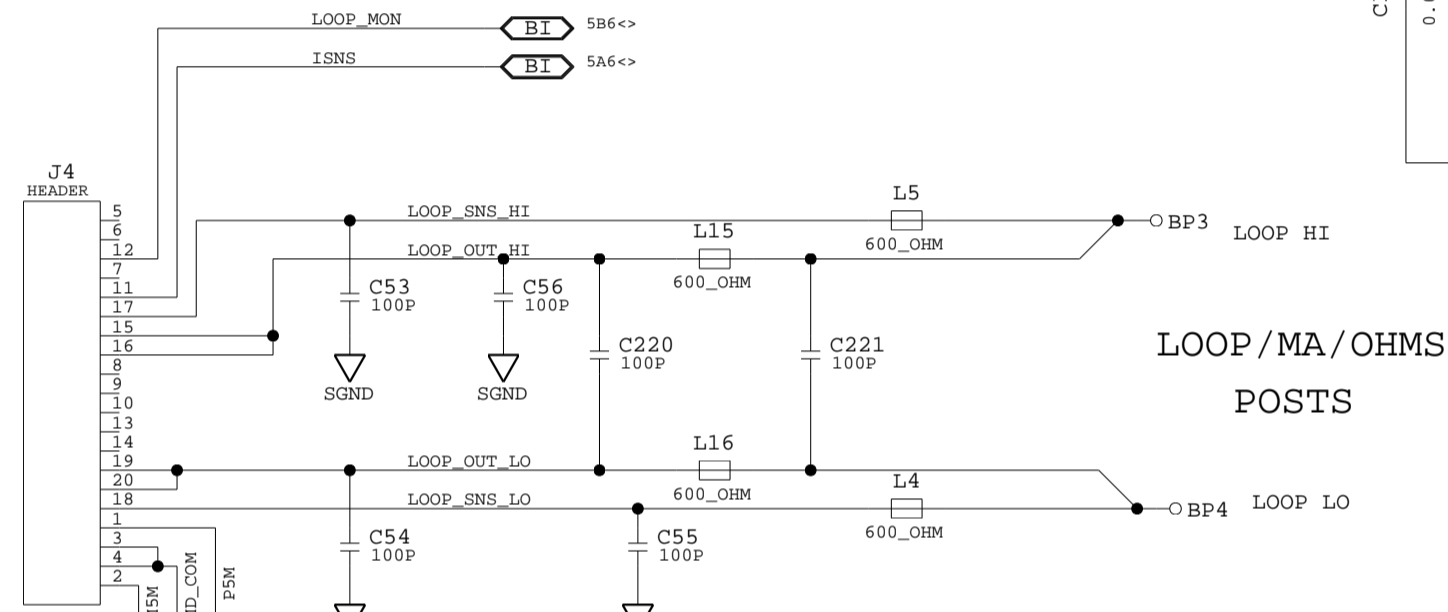


DWG NO.	74X-1036	SH	1
REVISIONS			
REV	DESCRIPTION	DRAWN	
003	W2020664	MFG 08JUL08	

NOT USED



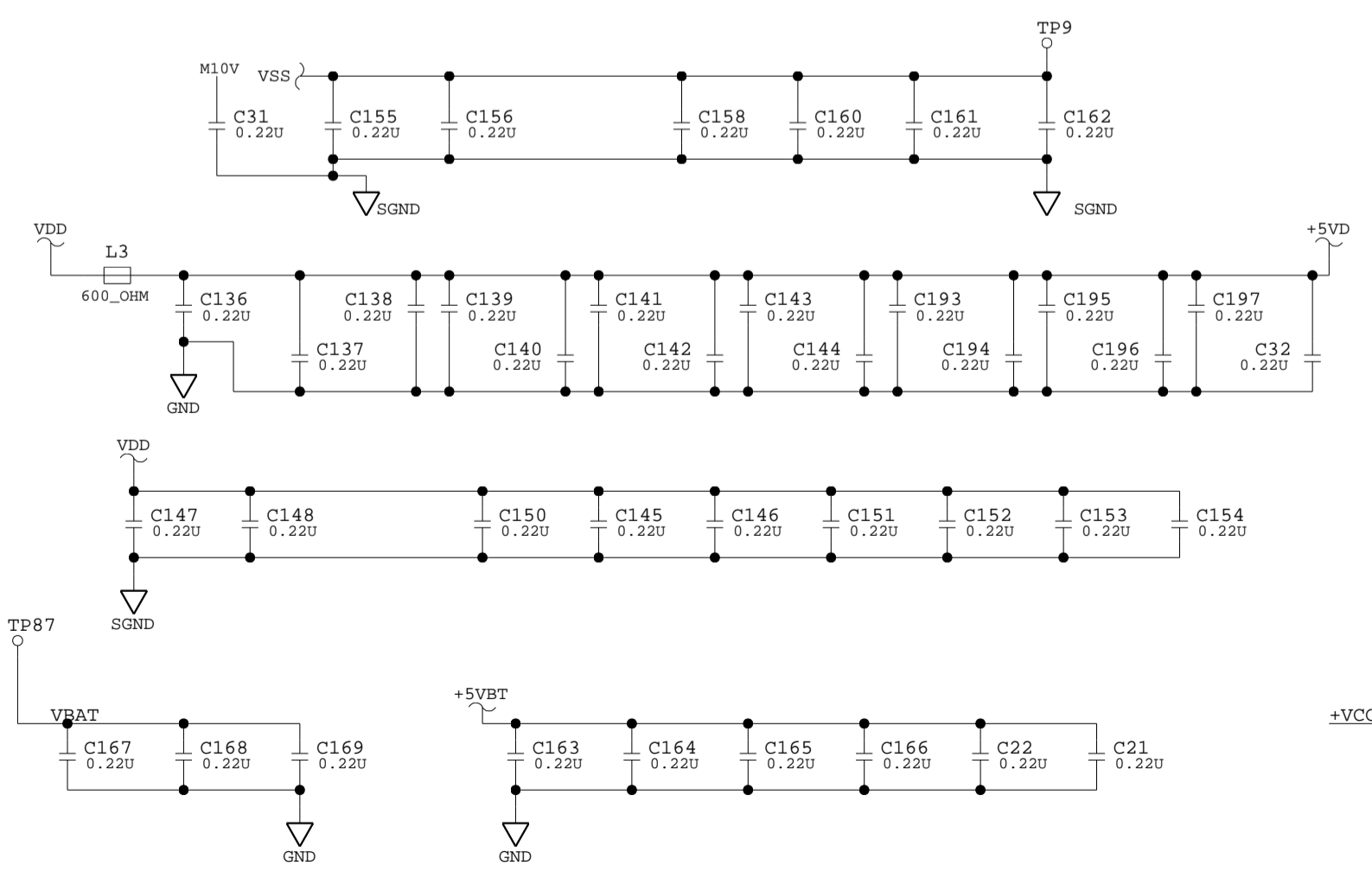
NOTES: UNLESS OTHERWISE SPECIFIED:
 1. ALL RESISTOR VALUES ARE IN OHMS.
 CAPACITOR VALUES ARE IN MICROFARADS.



LOOP/MA/OHMS POSTS

REF DES	PARTNAME	DISP_PWR	GND	+5VDD	SGND	VBAT	VDD	+5BT
U8,U9,U101,U102	HM628128LFP-10		16					32
U100	MC68306		1,13,22,34,46,55,67,79,88,100,112,121	7,28,40,61,73,94,106,127				
U103,U104	E28F008BV-B		23,39	30,31				
U107	SED1335FOB	21	36					
U108	HM62256ALFP-12SL	28	14					
U109-111	74HC126		7			14		
U112	74HC126		7					14
U173	74HC125		7	14				
U175	74HC125		7	14				
U114	LTC694		3	2				
U115	68C681CJ		22	44				
U119	74HC4094DT				8		16	
U120	74HC112		8	16				
U123	74CT14M		7	14				
U171	74HC393		7	14				

REF DES	
LAST USED	NOT USED
BP6	
BT1	
C319	C61-100,C107-112,C114,C115,C121,C131,C132,C149,C157,C159,C170,C176-181,C183,C187190,C198,C200,C204-206,C208-211,C215-219,C225-299,C303,C305,C306,C321-313
CR301	CR1,CR3-99,CR101,CR106,CR111-299
J7	
K4	K3
L16	L1,L9-12
LS1	
M7	
Q201	Q6-99,Q101-104,Q109-Q199
R323	R22,R25,R39,R56,R64,R65,R70,R84-100,R130-140,R144,R149,R153,R163-165,R175-179,R181-218,R221,R222,R240-299
TP103	TP25,TP30,TP37,TP38,TP41,TP42,TP47,TP52,TP53,TP59,TP60,TP63,TP68,TP69,TP75,TP84,TP86-101
U175	U17,U19,U20-99,U105,U116,U122,U127,U130-U133,U138,U139,U145-157,U159-161,U167-169
W100	W1-99
WP2	
Y3	
Z12	Z1,Z2,Z7-10

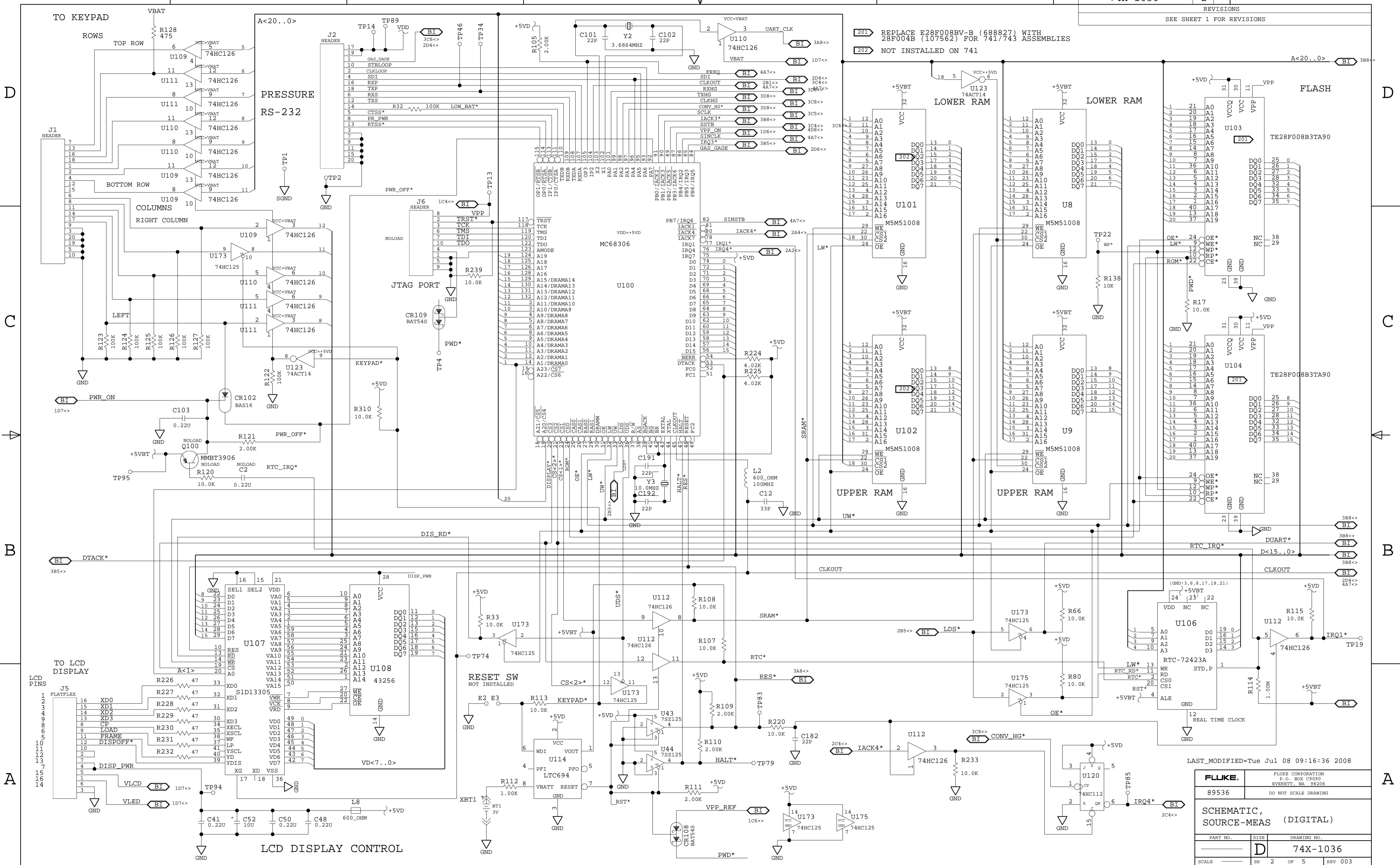


LAST_MODIFIED=Tue Jul 08 09:26:46 2008

<p>PROPRIETARY NOTICE THIS DOCUMENT AND THE TECHNICAL DATA HEREIN DISCLOSED ARE PROPRIETARY TO FLUKE CORPORATION, AND SHALL NOT, WITHOUT EXPRESS WRITTEN PERMISSION OF FLUKE CORPORATION BE USED, REPRODUCED OR DISCLOSED IN MANNER OR IN PART, OR USED TO SOLICIT QUOTATIONS FROM A COMPETITIVE SOURCE OR USED FOR REPRODUCTION BY ANYONE OTHER THAN FLUKE CORPORATION. THE INFORMATION HEREIN HAS BEEN DEVELOPED BY FLUKE CORPORATION, AND MAY ONLY BE USED, FOR PURPOSES OF ASSEMBLING, EVALUATING AND FOR DISPOSITION INTO TECHNICAL SPECIFICATIONS AND OTHER DOCUMENTS WHICH SPECIFY PRODUCTION OF PRODUCTS FROM FLUKE CORPORATION.</p>		<p>FLUKE 89536 DO NOT SCALE DRAWING</p>	<p>FLUKE CORPORATION P.O. BOX C9090 EVERETT, WA 98206</p>	<p>DMN Michael Gallavan 14FEB08 CHK GARY KIRCHBERGER PROJ ENGR LARRY ECCLESTON MFG ENGR MARK LOCKMAN</p>	<p>SCHMATIC, SOURCE-MEAS</p>
<p>TOLERANCE .XX = +/- .XXX = +/- ANGLES=1/8"</p>		<p>DIMENSIONS IN INCHES XC =</p>		<p>FINISH</p>	
<p>PART NO. _____</p>		<p>SIZE _____</p>		<p>DRAWING NO. 74X-1036</p>	
<p>SCALE _____</p>		<p>SH 1 OF 5</p>		<p>REV 003</p>	

REVISIONS
SEE SHEET 1 FOR REVISIONS

- 201 REPLACE E28F008BV-B (688827) WITH 28F004B (107562) FOR 741/743 ASSEMBLIES
- 202 NOT INSTALLED ON 741

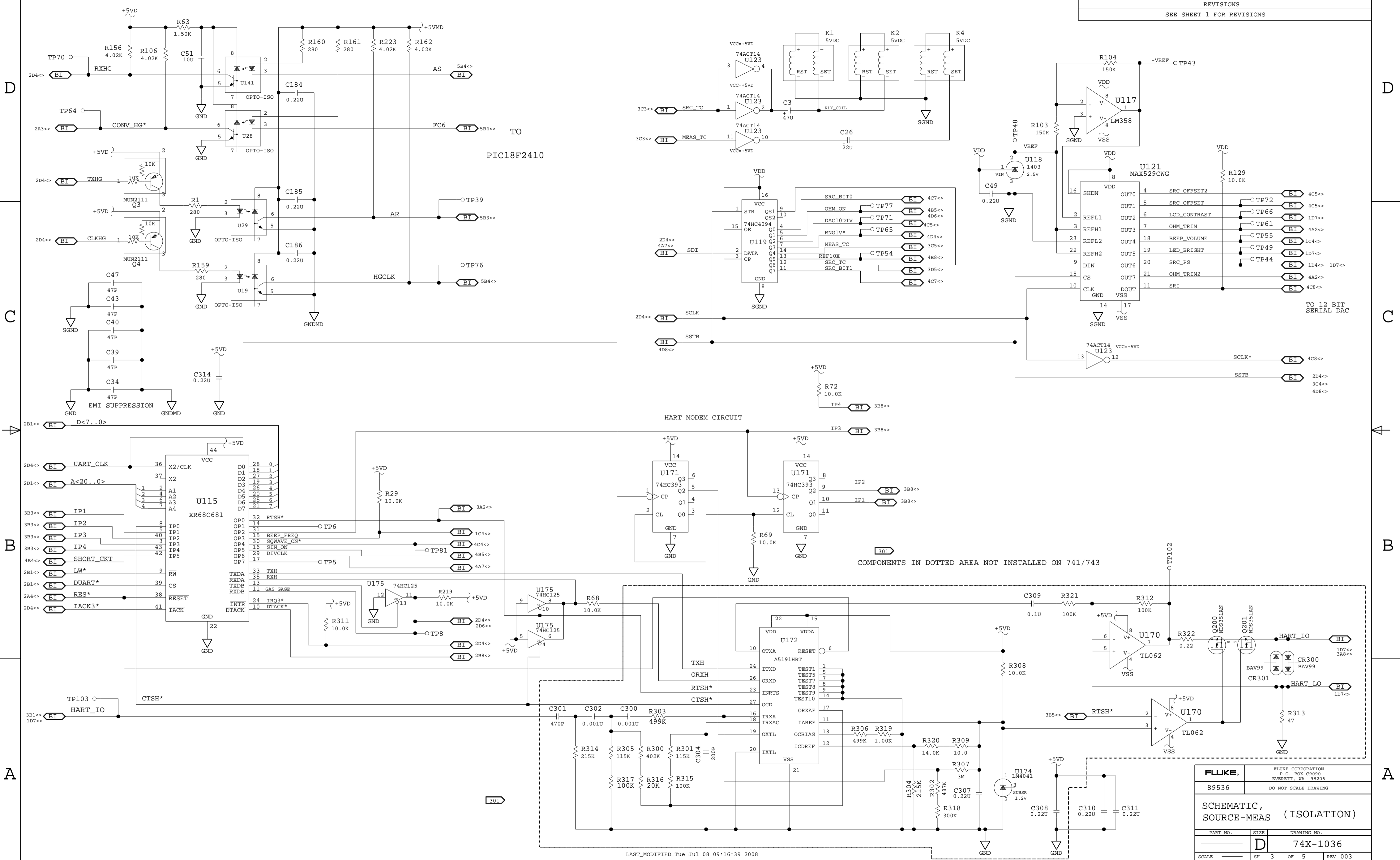


LAST_MODIFIED=Tue Jul 08 09:16:36 2008

FLUKE.		FLUKE CORPORATION P.O. BOX 6900 EVERETT, WA 98206	
89536		DO NOT SCALE DRAWING	
SCHEMATIC, SOURCE-MEAS (DIGITAL)			
PART NO.	SIZE	DRAWING NO.	
	D	74X-1036	
SCALE	SH 2	OF 5	REV 003

PROPRIETARY
Tue Jul 08 09:16:36 2008

DWG NO.	74X-1036	SH	3
REVISIONS			
SEE SHEET 1 FOR REVISIONS			

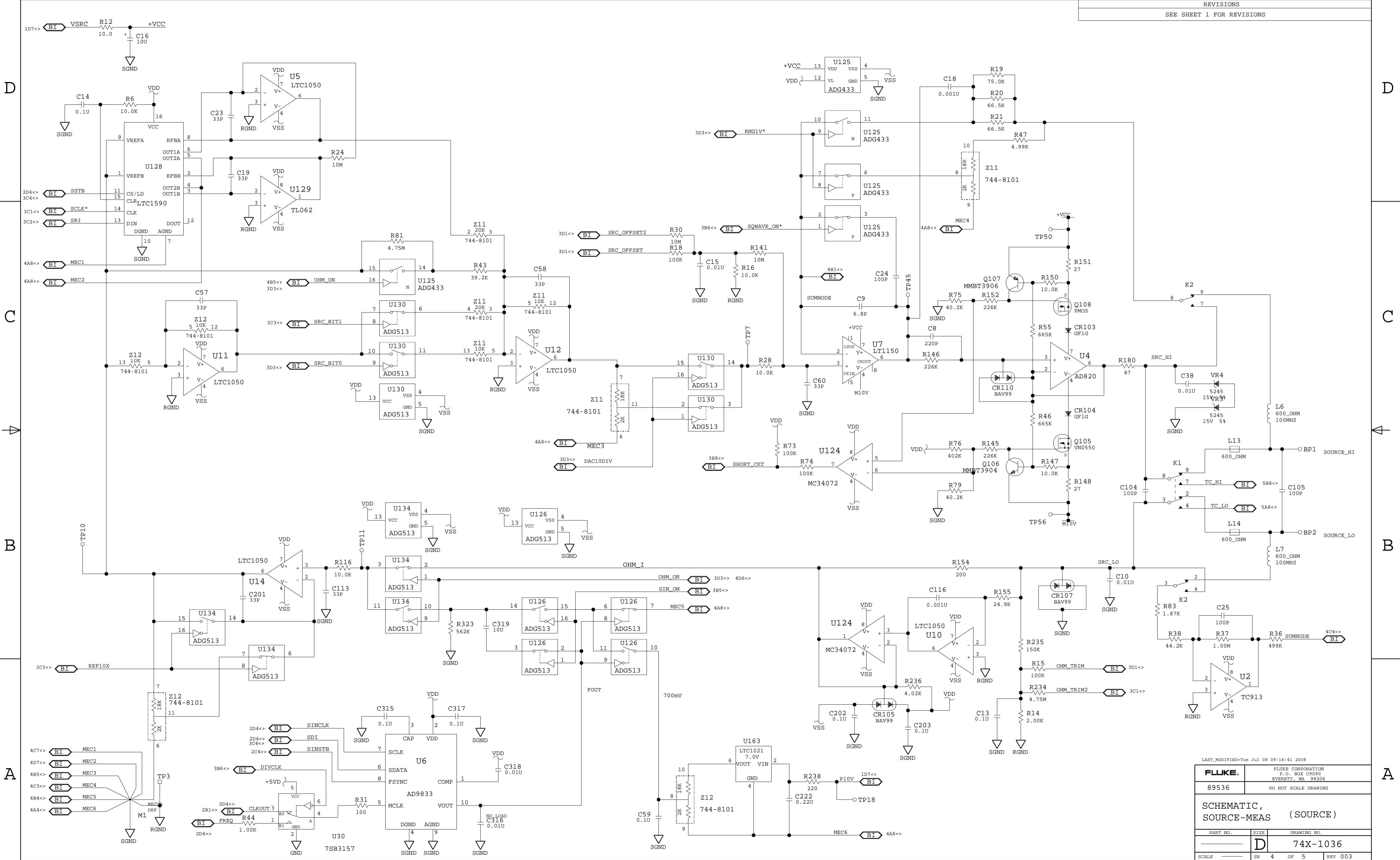


LAST_MODIFIED= Tue Jul 08 09:16:39 2008

FLUKE.	FLUKE CORPORATION P.O. BOX 5090 EVERETT, WA 98206
89536	DO NOT SCALE DRAWING
SCHEMATIC, SOURCE-MEAS (ISOLATION)	
PART NO.	DRAWING NO.
D	74X-1036
SCALE	SH 3 OF 5 REV 003

PROPRIETARY
Tue Jul 08 09:16:39 2008

DWG NO.	74X-1036	SH	4
REVISIONS			
SEE SHEET 1 FOR REVISIONS			



A

A

LAST_MODIFIED= Tue Jul 08 09:16:41 2008	
FLUKE.	FLUKE CORPORATION P.O. BOX 39090 EVERETT, WA 98206
89536	DO NOT SCALE DRAWING
SCHEMATIC, SOURCE-MEAS (SOURCE)	
PART NO.	DRAWING NO.
	74X-1036
SCALE	SH 4 OF 5 REV 003

PROPRIETARY
Tue Jul 08 09:16:41 2008

REVISIONS
SEE SHEET 1 FOR REVISIONS

D

D

C

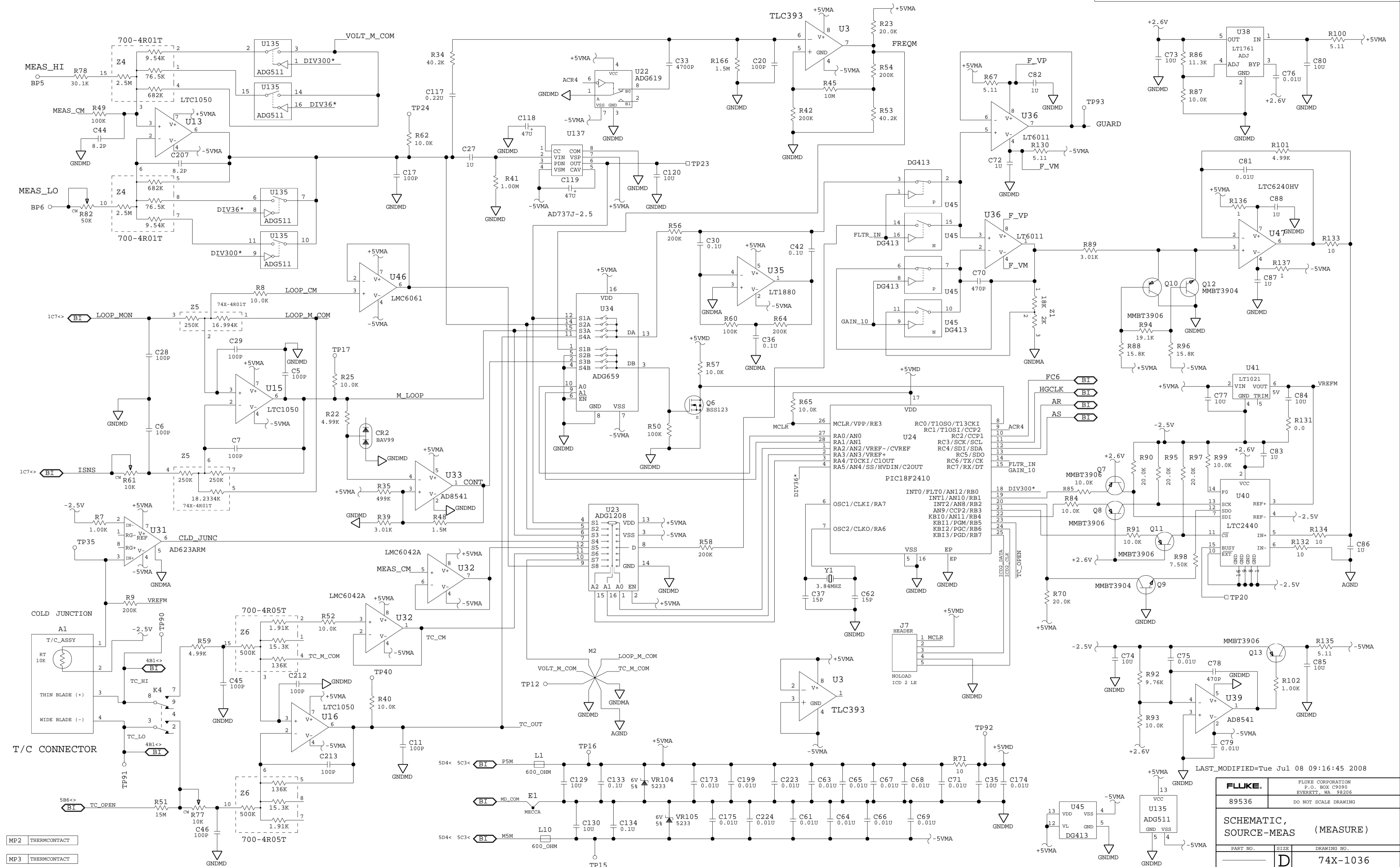
C

B

B

A

A



MP2	THERMCONTACT
MP3	THERMCONTACT

FLUKE		FLUKE CORPORATION P.O. BOX 6090 EVERETT, WA 98206	
89536		DO NOT SCALE DRAWING	
SCHEMATIC, SOURCE-MEAS		(MEASURE)	
PART NO.	SIZE	DRAWING NO.	
	D	74X-1036	
SCALE	SH 5	OF 5	REV 003

PROPRIETARY
Tue Jul 08 09:16:45 2008