

Thank you for purchasing this Factory Service Manual CD/DVD from [servicemanuals4u.com](http://servicemanuals4u.com).

Please check out our eBay auctions for more great deals on Factory Service Manuals:

[servicemanuals4u](http://servicemanuals4u.com)

# maintenance & service guide

## Presario 1600XL Series

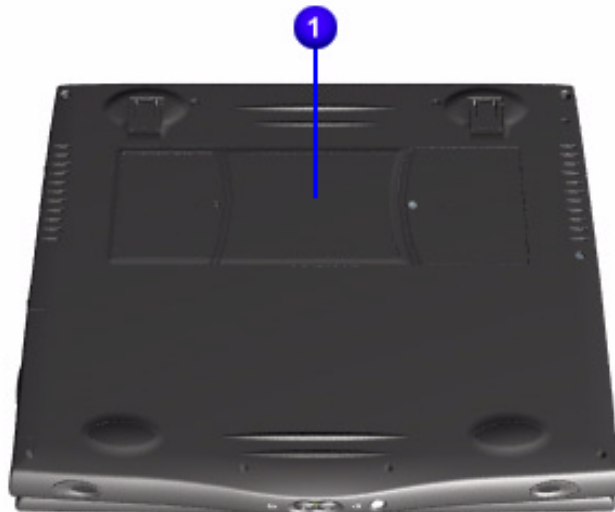
Model 1600T, 1600-XL140, 1600-XL141, 1600-XL142, 1600-XL143, 1600-XL144, 1600-XL146, 1600-XL147, 1600-XL150, 1600-XL156, XL157, XL255, XL256, XL257, and XL258

## Removal Sequence

This section explains the removal and replacement procedures for the 1600XL units.

### *Serial Number Location*

Report the unit's serial number ❶ to Compaq when requesting information or ordering spare parts. The serial number is located underneath the Notebook as shown below.



# maintenance & service guide

## Presario 1600XL Series

**Model 1600T, 1600-XL140, 1600-XL141, 1600-XL142, 1600-XL143, 1600-XL144, 1600-XL146, 1600-XL147, 1600-XL150, 1600-XL156, 1600-XL157, 1600-XL255, 1600-XL256, 1600-XL257, and 1600-XL258**

### *Electrostatic Discharge*

A sudden discharge of static electricity from a finger or other conductor can destroy static-sensitive devices or microcircuitry. Often the spark is neither felt nor heard, but damage occurs. An electronic device exposed to electrostatic discharge (ESD) may not seem to be affected at all and work perfectly throughout a normal cycle. Although it may function normally for a while, it may be degraded in the internal layers, reducing its life expectancy.

Networks built into many integrated circuits provide some protection, but in many cases, the discharge contains enough power to alter device parameters or melt silicon junctions.

### **Generating Static**

The table below shows activities that generate static electricity and the associated electrostatic voltage level.

Typical Electrostatic Voltages			
Event	Relative Humidity		
	10%	40%	55%
Walking across carpet	35,000 V	15,000 V	7,500 V
Walking across vinyl floor	12,000 V	5,000 V	3,000 V
Motions of bench worker	6,000 V	800 V	400 V
Removing DIPS from plastic tubes	2,000 V	700 V	400 V
Removing DIPS from vinyl trays	11,500 V	4,000 V	2,000 V
Removing DIPS from styrofoam	14,500 V	5,000 V	3,500 V
Removing bubble pack from PCBs	26,000 V	20,000 V	7,000 V
Packing PCBs in foam-lined box	21,000 V	11,000 V	5,000 V

**Note:** 700 Volts can degrade a product.

# maintenance & service guide

## Presario 1600XL Series

Model 1600T, 1600-XL140, 1600-XL141, 1600-XL142, 1600-XL143, 1600-XL144, 1600-XL146, 1600-XL147, 1600-XL150, 1600-XL156, 1600-XL157, 1600-XL255, 1600-XL256, 1600-XL257, and 1600-XL258

### *Service Considerations*

Consider the following during the disassembly and assembly of the Notebook:

### **Tools and Software Requirements**

The following items are required to service the computer:

- Torx T-9 screwdriver
- 5mm nut drivers (for screw locks and standoffs)
- Small standard screwdriver

### **Screws**

The screws used in the Notebook are *not* interchangeable. If an incorrect screw is used during the reassembly process, it can damage the unit. Compaq strongly recommends that all screws removed during disassembly be kept with the part that was removed, then returned to their proper locations.

**Important:** As each subassembly is removed from the Notebook, place it away from the work area to prevent damage.

# maintenance & service guide

## Presario 1600XL Series

Model 1600T, 1600-XL140, 1600-XL141, 1600-XL142, 1600-XL143, 1600-XL144, 1600-XL146, 1600-XL147, 1600-XL150, 1600-XL156, 1600-XL157, 1600-XL255, 1600-XL256, 1600-XL257, and 1600-XL258


### *Cables and Connectors*

Cables must be handled with extreme care to avoid damage. Apply only the pressure required to seat or unseat the cables during insertion or removal from the connector. Handle cables by the connector whenever possible. In all cases avoid bending, twisting, or tearing the cables, and ensure that the cables are routed in such a way that they cannot be caught or snagged by parts being removed or replaced. Most of the cables used throughout the unit are ribbon cables.

#### **Cables**

Use the following precautions when handling cables to avoid damage to the cable or computer:

- Always handle cables by their connectors.
- Avoid bending, twisting, or pulling on the cables.
- Apply minimum required force when seating or unseating the cables from their connectors.
- Place the cables in a location where they cannot be caught or snagged by parts being removed or replaced.
- Handle flex cables with extreme care; they can tear easily.

 **CAUTION:** When servicing these computers, ensure that cables are placed in their proper location during the reassembly process. Improper cable placement can cause severe damage to the unit.

The following illustrations show the proper placement for each cable:

- [ZIF Connector](#)
- [Hard Drive Ribbon Cable](#)
- [CD or DVD Ribbon Cable](#)
- [Diskette Drive Ribbon Cable](#)
- [Speaker Assembly Cable](#)
- [Modem Cable](#)
- [Keyboard Ribbon Cable](#)

# maintenance & service guide

## Presario 1600XL Series

Model 1600T, 1600-XL140, 1600-XL141, 1600-XL142, 1600-XL143, 1600-XL144, 1600-XL146, 1600-XL147, 1600-XL150, 1600-XL156, 1600-XL157, 1600-XL255, 1600-XL256, 1600-XL257, and 1600-XL258

### Connectors and Plastic Parts

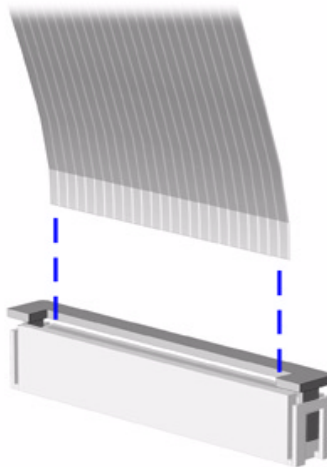
Plastic parts can be damaged by using excessive force during disassembly and reassembly. When handling the plastic parts, use care. Apply pressure only at the points designated in the maintenance instructions.

### ZIF Connector

The 1600XL Series Notebooks use zero insertion force (ZIF) connectors on the system board.

**CAUTION:** A ZIF connector and its attached cable can easily be damaged. Handle only the connector slide when removing or replacing a cable. Never pull or twist on the cable while it is connected.

To remove a cable from a ZIF connector, lift both corners of the ZIF connector and slide the cable out simultaneously with constant light pressure.



**CAUTION:** When servicing the Notebook, ensure that cables are placed in their proper location during the reassembly process. Improper cable placement can damage the Notebook.

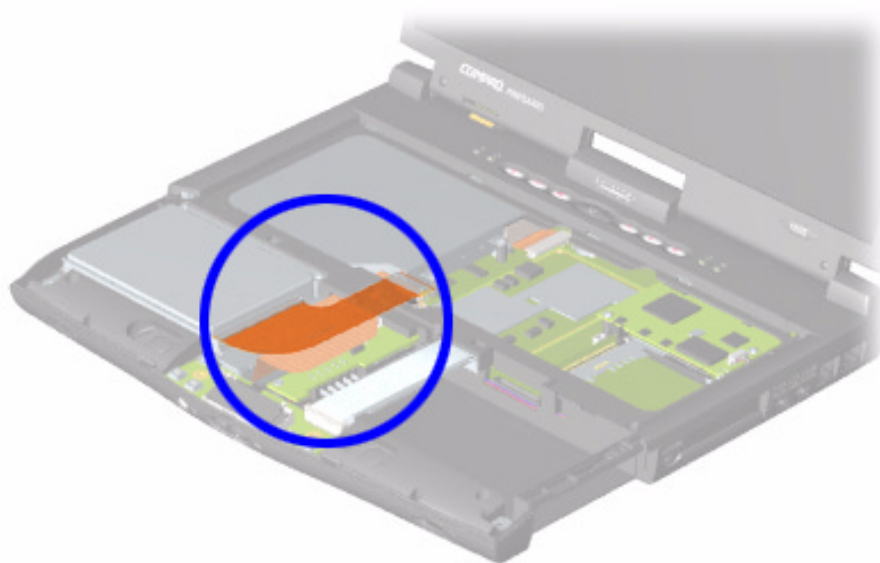
# maintenance & service guide

## Presario 1600XL Series

Model 1600T, 1600-XL140, 1600-XL141, 1600-XL142, 1600-XL143, 1600-XL144, 1600-XL146, 1600-XL147, 1600-XL150, 1600-XL156, 1600-XL157, 1600-XL255, 1600-XL256, 1600-XL257, and 1600-XL258

### Hard Drive Ribbon Cable

The ribbon cable position for the hard drive is shown below.



**CAUTION:** When servicing the Notebook, ensure that cables are placed in their proper location during the reassembly process. Improper cable placement can damage the Notebook.

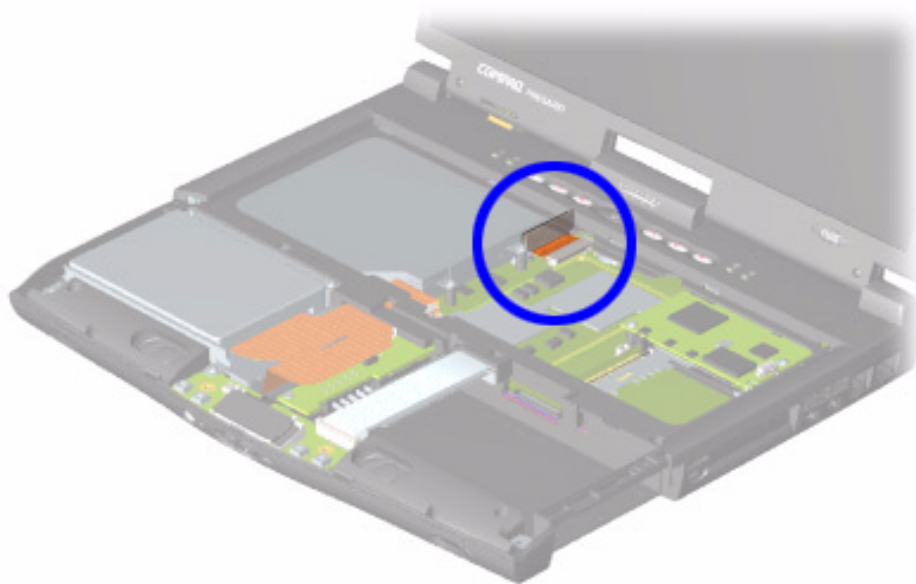
# maintenance & service guide

## Presario 1600XL Series

Model 1600T, 1600-XL140, 1600-XL141, 1600-XL142, 1600-XL143, 1600-XL144, 1600-XL146, 1600-XL147, 1600-XL150, 1600-XL156, XL157, XL255, XL256, XL257, and XL258

### CD or DVD Ribbon Cable

The ribbon cable position for the CD or DVD drive is shown below.



**CAUTION:** When servicing the Notebook, ensure that cables are placed in their proper location during the reassembly process. Improper cable placement can damage the Notebook.



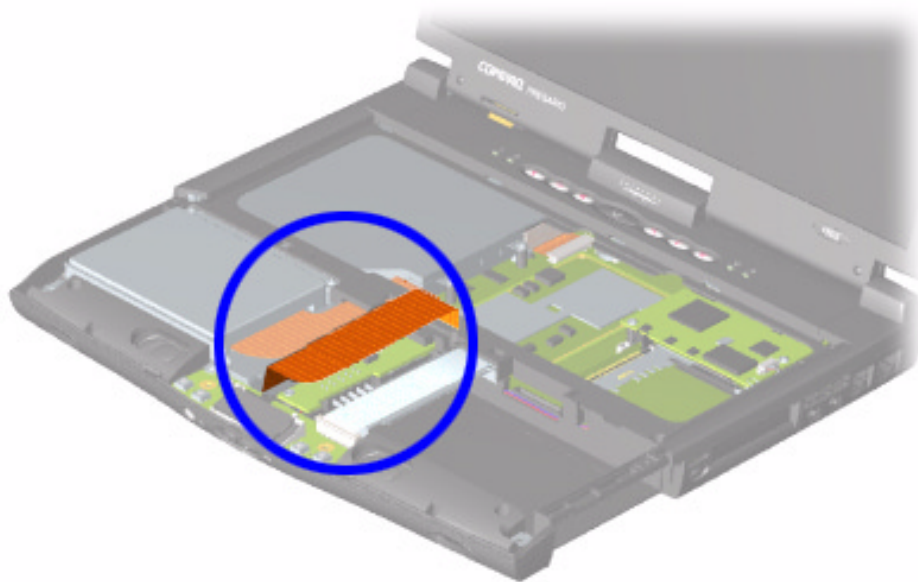
# maintenance & service guide

## Presario 1600XL Series

Model 1600T, 1600-XL140, 1600-XL141, 1600-XL142, 1600-XL143, 1600-XL144, 1600-XL146, 1600-XL147, 1600-XL150, 1600-XL156, 1600-XL157, 1600-XL255, 1600-XL256, 1600-XL257, and 1600-XL258

### Diskette Drive Ribbon Cable

The ribbon cable position for the diskette drive is shown below.



**CAUTION:** When servicing this Notebook, ensure that cables are placed in their proper location during the reassembly process. Improper cable placement can damage the Notebook.

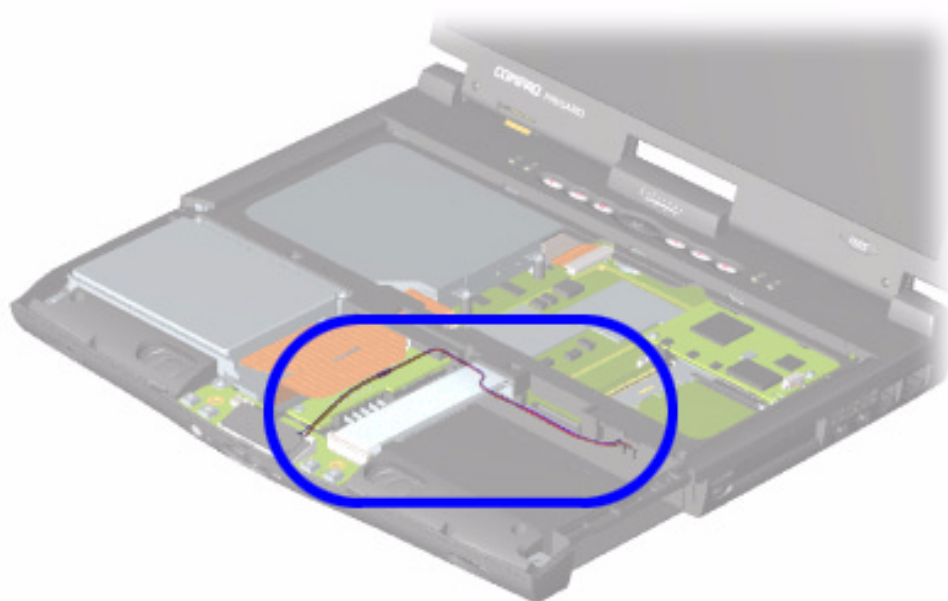
# maintenance & service guide

## Presario 1600XL Series

Model 1600T, 1600-XL140, 1600-XL141, 1600-XL142, 1600-XL143, 1600-XL144, 1600-XL146, 1600-XL147, 1600-XL150, 1600-XL156, 1600-XL157, 1600-XL255, 1600-XL256, 1600-XL257, and 1600-XL258

### Speaker Assembly Cable

The cable position for the speaker assembly is shown below. The cable is routed under the battery charger board and under the edge of the system board.



**CAUTION:** When servicing the Notebook, ensure that cables are placed in their proper location during the reassembly process. Improper cable placement can damage the Notebook.

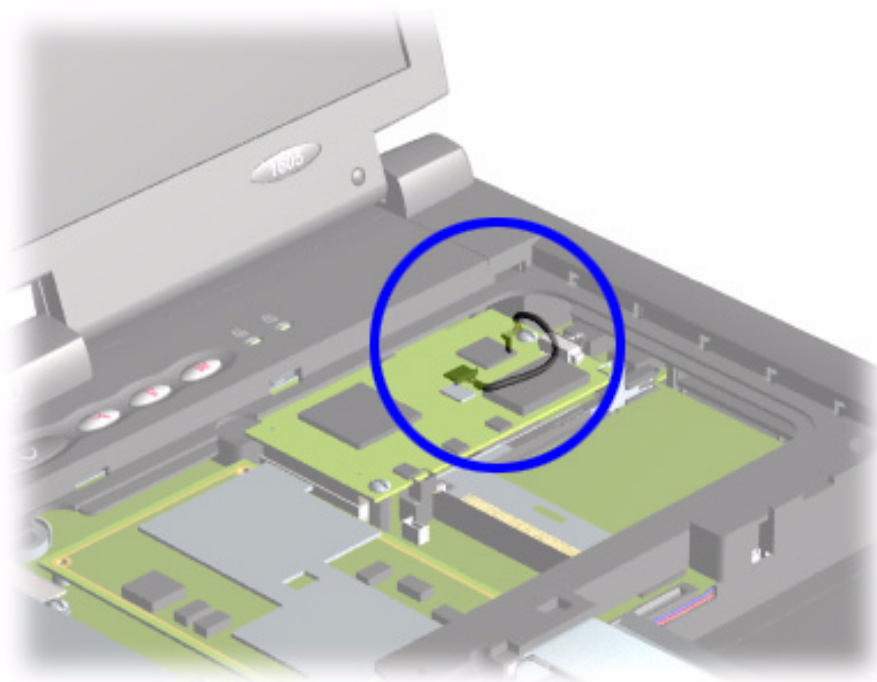
# maintenance & service guide

## Presario 1600XL Series

Model 1600T, 1600-XL140, 1600-XL141, 1600-XL142, 1600-XL143, 1600-XL144, 1600-XL146, 1600-XL147, 1600-XL150, 1600-XL156, 1600-XL157, 1600-XL255, 1600-XL256, 1600-XL257, and 1600-XL258

### Modem Cable

The cable position for the modem is shown below.



**CAUTION:** When servicing the Notebook, ensure that cables are placed in their proper location during the reassembly process. Improper cable placement can damage the Notebook.

# maintenance & service guide

## Presario 1600XL Series

Model 1600T, 1600-XL140, 1600-XL141, 1600-XL142, 1600-XL143, 1600-XL144, 1600-XL146, 1600-XL147, 1600-XL150, 1600-XL156, 1600-XL157, 1600-XL255, 1600-XL256, 1600-XL257, and 1600-XL258

### Keyboard Ribbon Cable

The ribbon cable position for the keyboard is shown below.



**CAUTION:** When servicing the Notebook, ensure that cables are placed in their proper location during the reassembly process. Improper cable placement can damage the Notebook.

# maintenance & service guide

## Presario 1600XL Series

Model 1600T, 1600-XL140, 1600-XL141, 1600-XL142, 1600-XL143, 1600-XL144, 1600-XL146, 1600-XL147, 1600-XL150, 1600-XL156, 1600-XL157, 1600-XL255, 1600-XL256, 1600-XL257, and 1600-XL258

### *Preparing the Notebook for Disassembly*

Before beginning Removal & Replacement Procedures, complete the following steps:

1. Disconnect AC power and any external devices.
2. Remove the QuikDock.
3. Remove the battery pack ([pg 14](#)).
4. Remove any PC Cards.

**Important:** The battery pack should be removed before performing any internal maintenance on the Notebook.



**WARNING:** Metal objects can damage the battery pack as well as the battery contacts in the battery compartment. To prevent damage, do not allow metal objects to touch the battery contacts. Place only the battery pack for the Compaq Presario 1600XL Series Portable Notebooks into the battery compartment. Do not force the battery pack into the bay if insertion is difficult.



**CAUTION:** Do not crush, puncture, or incinerate the battery pack. Do not open a battery pack; this action damages the pack, makes it unusable, and exposes potentially harmful battery components. No field-serviceable parts are located inside the battery pack.

**Note:** Compaq Presario 1600XL Series Portable Notebooks have several screws of various sizes that are **not** interchangeable. Care must be taken during reassembly to ensure that the correct screws are used in their correct location. During removal keep screws with their respective associated subassembly.

# maintenance & service guide

## Presario 1600XL Series

Model 1600T, 1600-XL140, 1600-XL141, 1600-XL142, 1600-XL143, 1600-XL144, 1600-XL146, 1600-XL147, 1600-XL150, 1600-XL156, 1600-XL157, 1600-XL255, 1600-XL256, 1600-XL257, and 1600-XL258

### *Removing the QuikDock*

To remove the QuikDock, complete the following steps:

1. Lift up the handle on top of the QuikDock.
2. Lift the computer straight up.



# maintenance & service guide

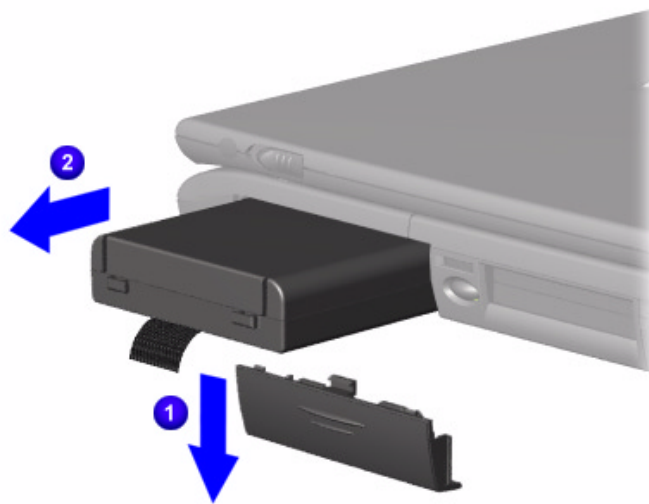
## Presario 1600XL Series

**Model 1600T, 1600-XL140, 1600-XL141, 1600-XL142, 1600-XL143, 1600-XL144, 1600-XL146, 1600-XL147, 1600-XL150, 1600-XL156, 1600-XL157, 1600-XL255, 1600-XL256, 1600-XL257, and 1600-XL258**

### *Removing the Battery*

To remove the battery pack, complete the following steps:

1. Slide the battery pack compartment door **1** down and remove it from the chassis.
2. Pull the battery pack **2** from the chassis by the tab located on the end of the battery pack.



To replace the battery pack, reverse the previous procedures.

**Important:** The battery pack should be removed before performing any internal maintenance on the Notebook.

**WARNING:** Metal objects can damage the battery pack as well as the battery contacts in the battery compartment. To prevent damage, do not allow metal objects to touch the battery contacts. Place only the battery pack for Compaq Presario 1600XL Series Portable Notebooks into the battery compartment. Do not force the battery pack into the bay if insertion does not occur easily.

**CAUTION:** Do not crush, puncture, or incinerate the battery pack. Do not open a battery pack; this action damages the pack, makes it unusable, and exposes potentially harmful battery components. No field-serviceable parts are located inside the battery pack.

# maintenance & service guide

## Presario 1600XL Series

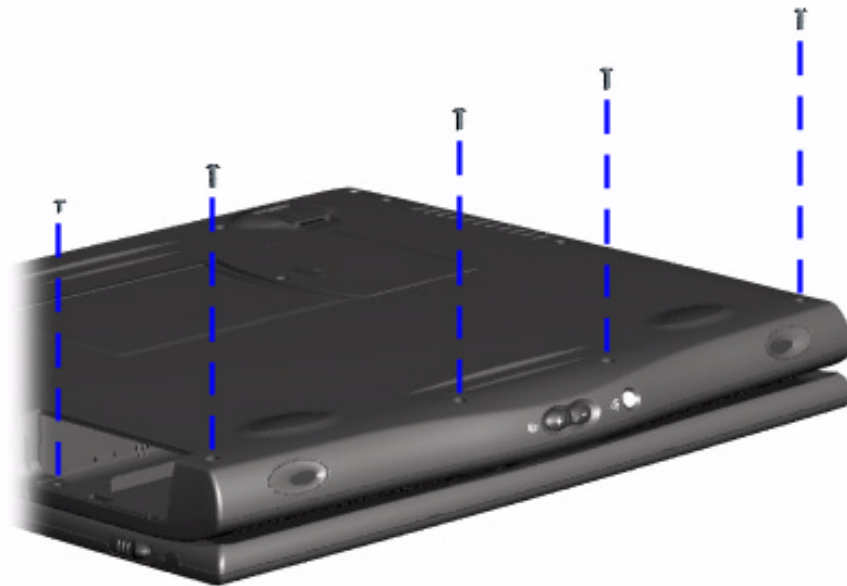
Model 1600T, 1600-XL140, 1600-XL141, 1600-XL142, 1600-XL143, 1600-XL144, 1600-XL146, 1600-XL147, 1600-XL150, 1600-XL156, 1600-XL157, 1600-XL255, 1600-XL256, 1600-XL257, and 1600-XL258

### *Removing the Palmrest Cover with TouchPad*

**Note:** It is not necessary to remove the display panel assembly to access the interior components of the computer.

To remove the Palmrest Cover with TouchPad, complete the following steps:

1. Prepare the Notebook for disassembly ([pg 12](#)).
2. Close the display assembly and turn the computer upside down.
3. Remove the five screws from underneath the computer.



Procedure continued on next page.

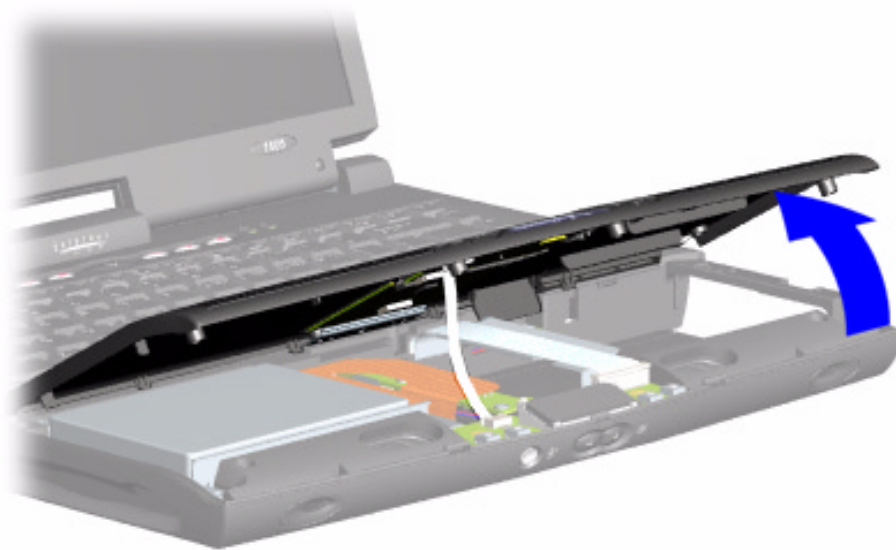


# maintenance & service guide

## Presario 1600XL Series

**Model 1600T, 1600-XL140, 1600-XL141, 1600-XL142, 1600-XL143, 1600-XL144, 1600-XL146, 1600-XL147, 1600-XL150, XL156, XL157, XL255, XL256, XL257, and XL258**

4. Turn the Notebook right side up.
5. Pull the display release latches and open the display assembly.
6. Lift up the front end of the Palmrest Cover with TouchPad and remove it from the groove in the chassis.



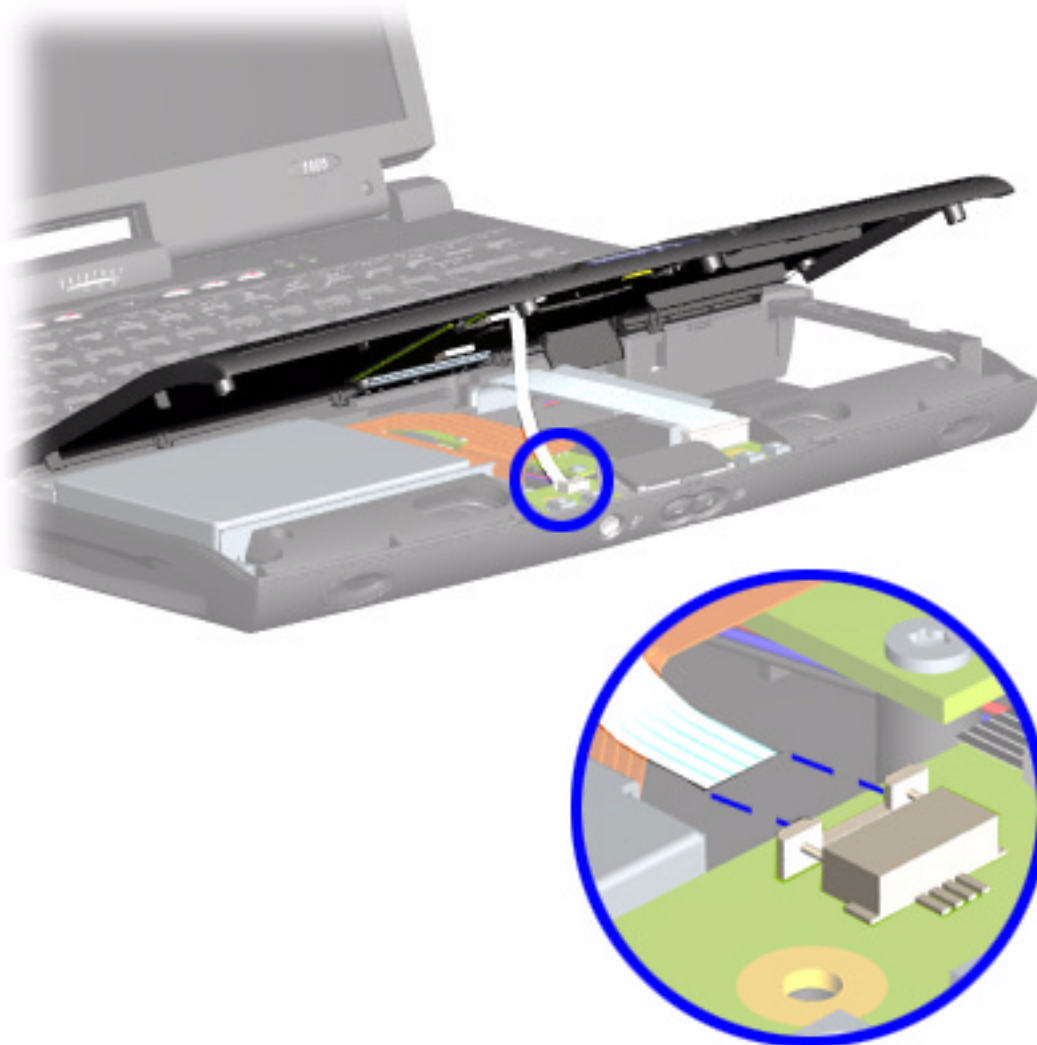
Procedure continued on next page.

# maintenance & service guide

## Presario 1600XL Series

Model 1600T, 1600-XL140, 1600-XL141, 1600-XL142, 1600-XL143, 1600-XL144, 1600-XL146, 1600-XL147, 1600-XL150, 1600-XL156, 1600-XL157, 1600-XL255, 1600-XL256, 1600-XL257, and 1600-XL258

7. Disconnect the flex cable from the ZIF connector on the Display Module.



To replace the Palmrest Cover with TouchPad, reverse the previous procedures.

# maintenance & service guide

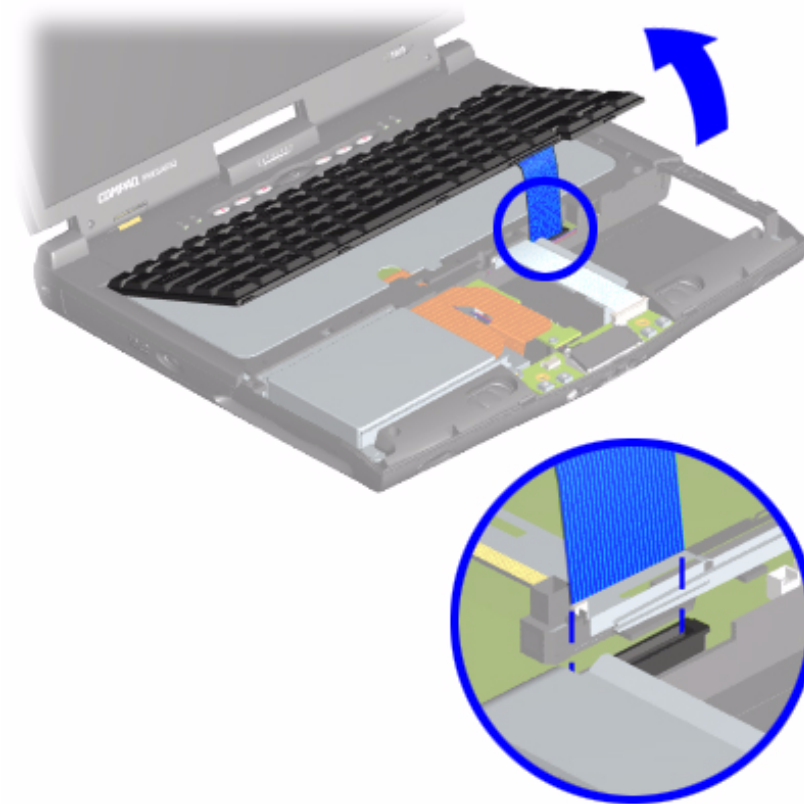
## Presario 1600XL Series

Model 1600T, 1600-XL140, 1600-XL141, 1600-XL142, 1600-XL143, 1600-XL144, 1600-XL146, 1600-XL147, 1600-XL150, 1600-XL156, 1600-XL157, 1600-XL255, 1600-XL256, 1600-XL257, and 1600-XL258

### *Removing the Keyboard*

To remove the keyboard, complete the following steps:

1. Prepare the Notebook for disassembly ([pg 12](#)).
2. Remove the Palmrest Cover with TouchPad ([pg 15](#)).
3. Gently lift up the front of the keyboard and disconnect the flex cable from the [ZIF Connector](#) on the system board and remove the keyboard.



To replace the keyboard, reverse the previous procedures.

**Note:** When replacing the keyboard, the [Keyboard Ribbon Cable](#) should fold behind the ZIF Connector rather than underneath the keyboard.

# maintenance & service guide

## Presario 1600XL Series

Model 1600T, 1600-XL140, 1600-XL141, 1600-XL142, 1600-XL143, 1600-XL144, 1600-XL146, 1600-XL147, 1600-XL150, 1600-XL156, 1600-XL157, 1600-XL255, 1600-XL256, 1600-XL257, and 1600-XL258

### *Removing the Status/Internet Zone Cover*

*(Status Panel Assembly)*

**Note:** Illustrations may show parts removed that are not part of this procedure. It is necessary to remove **only** the parts listed in the written procedure.

To remove the Status/Internet Zone Cover, complete the following steps:

1. Prepare the Notebook for disassembly ([pg 12](#)).
2. Open the display assembly, and squeeze the sides of the display assembly hinge covers while sliding them off the hinges.



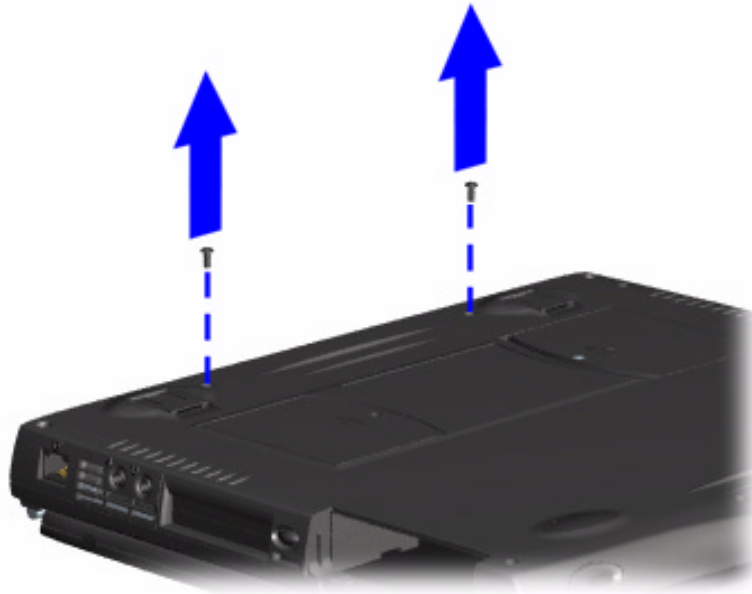
Procedure continued on next page.

# maintenance & service guide

## Presario 1600XL Series

**Model 1600T, 1600-XL140, 1600-XL141, 1600-XL142, 1600-XL143, 1600-XL144, 1600-XL146, 1600-XL147, 1600-XL150 XL156, XL157, XL255, XL256, XL257, and XL258**

3. Turn the unit upside down and remove the two screws located in the back of the Notebook that secure the Status/Internet Zone Cover to the chassis.



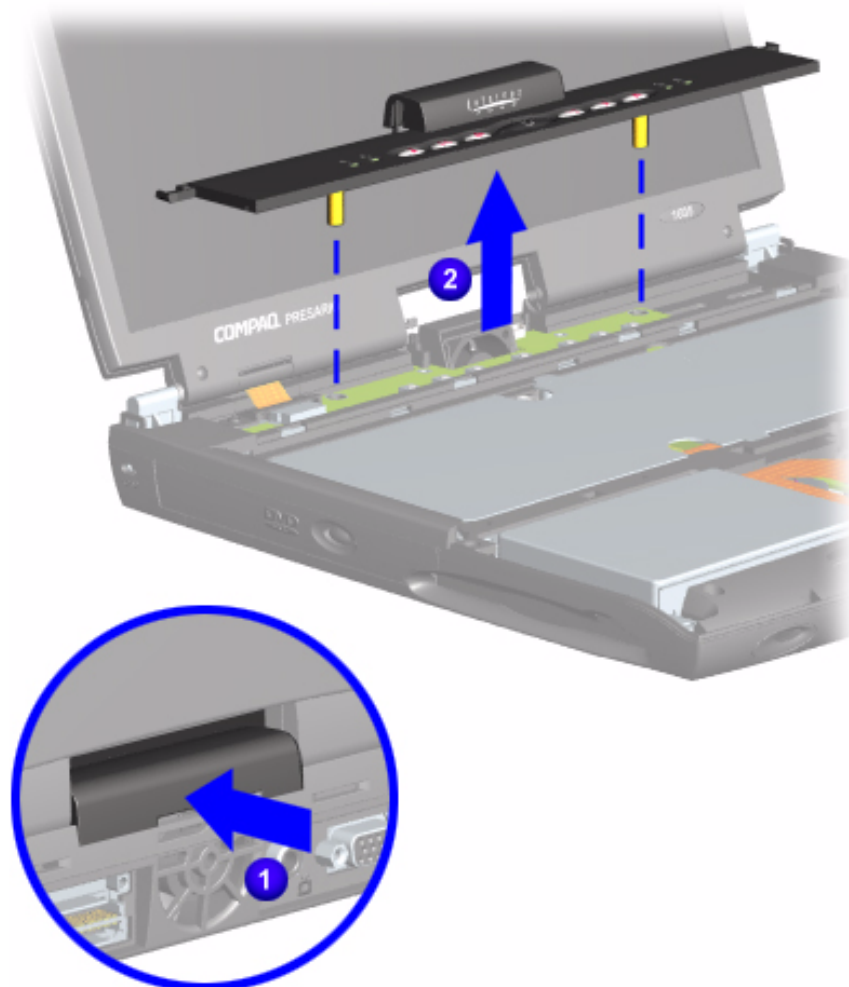
Procedure continued on next page.

# maintenance & service guide

## Presario 1600XL Series

**Model 1600T, 1600-XL140, 1600-XL141, 1600-XL142, 1600-XL143, 1600-XL144, 1600-XL146, 1600-XL147, 1600-XL150, 1600-XL156, 1600-XL157, 1600-XL255, 1600-XL256, 1600-XL257, and 1600-XL258**

4. Turn the unit right side up and open the display assembly.
5. Remove the two innermost screws from the Status/Internet
6. Lift up one corner of the Status/Internet Zone Cover ❶ and push forward from the back (center piece) to release the snaps on the Status/Internet Zone Cover.
7. Remove the Status/Internet Zone Cover ❷ from the chassis.



To replace the status panel assembly, reverse the previous procedures.

# maintenance & service guide

## Presario 1600XL Series

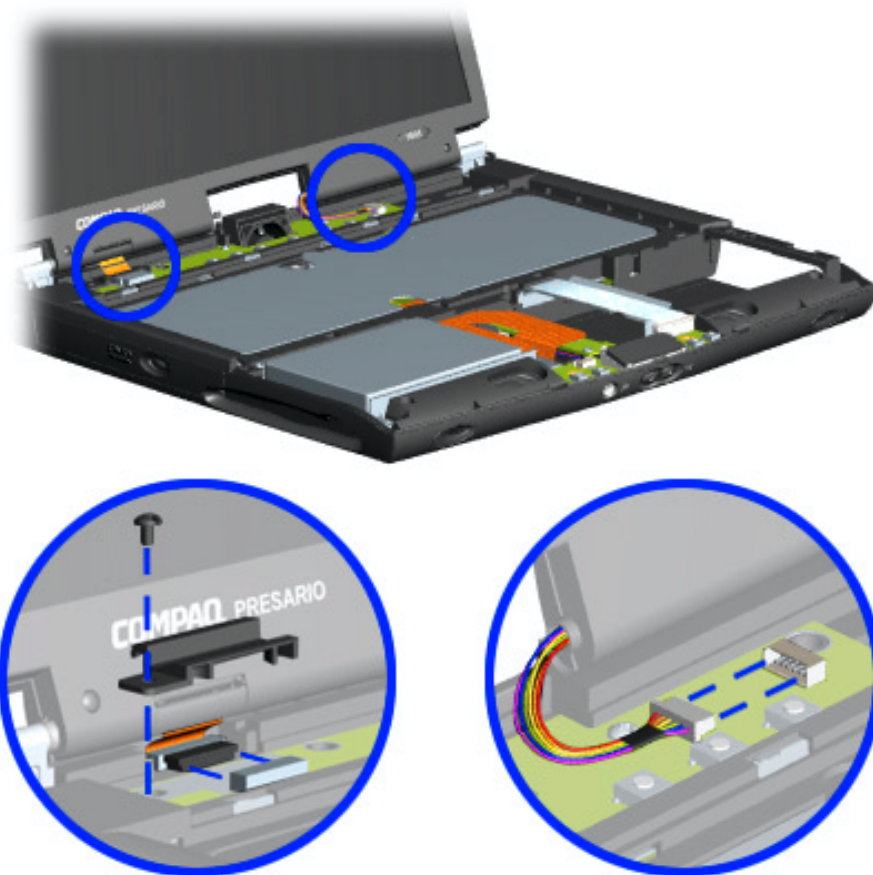
Model 1600T, 1600-XL140, 1600-XL141, 1600-XL142, 1600-XL143, 1600-XL144, 1600-XL146, 1600-XL147, 1600-XL150, 1600-XL156, 1600-XL157, 1600-XL255, 1600-XL256, 1600-XL257, and 1600-XL258

### *Removing the Internet Button Board*

**Note:** Illustrations may show parts removed that are not part of this procedure. It is necessary to remove **only** the parts listed in the written procedure.

To remove the Internet Button Board, complete the following steps:

1. Prepare the Notebook for disassembly ([pg 12](#)).
2. Remove the Status/Internet Zone Cover ([pg 19](#)).
3. Remove the screw securing the display flex cable bracket and disconnect the display flex cable and backlight cable from the Internet Button Board.

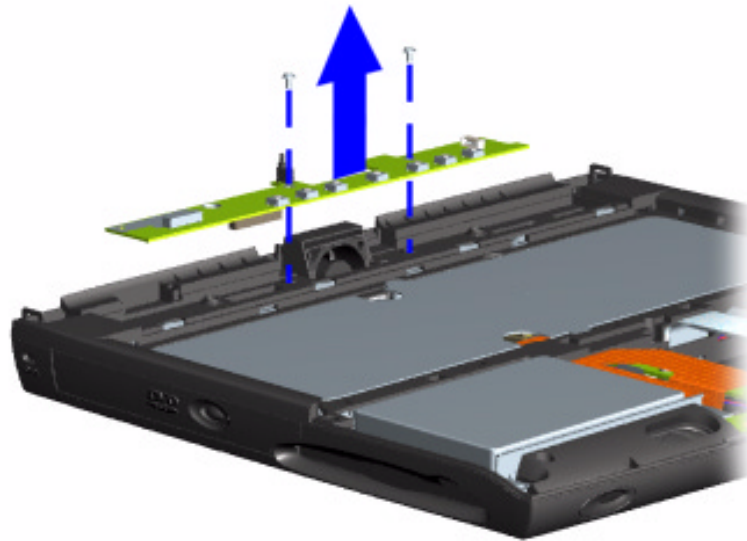


# maintenance & service guide

## Presario 1600XL Series

**Model 1600T, 1600-XL140, 1600-XL141, 1600-XL142, 1600-XL143, 1600-XL144, 1600-XL146, 1600-XL147, 1600-XL150, 1600-XL156, XL157, XL255, XL256, XL257, and XL258**

4. Remove the two screws securing the Internet Button Board and remove it from the chassis.



To replace the Internet Button Board, reverse these procedures.



# maintenance & service guide

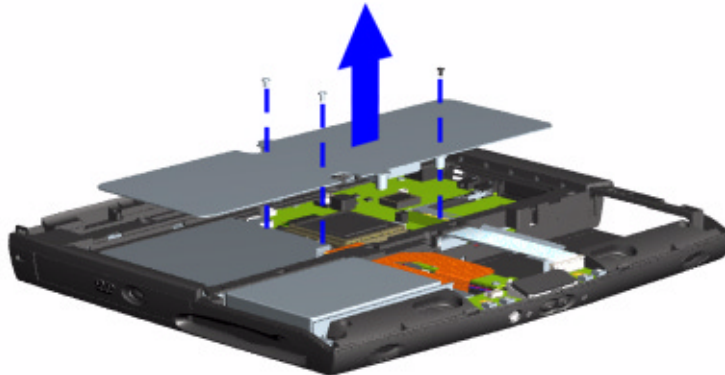
## Presario 1600XL Series

Model 1600T, 1600-XL140, 1600-XL141, 1600-XL142, 1600-XL143, 1600-XL144, 1600-XL146, 1600-XL147, 1600-XL150, 1600-XL156, 1600-XL157, 1600-XL255, 1600-XL256, 1600-XL257, and 1600-XL258

### *Removing the Heatspreader*

To remove the Heatspreader, complete the following steps:

1. Prepare the Notebook for disassembly ([pg 12](#)).
2. Remove the Palmrest Cover with TouchPad ([pg 15](#)).
3. Remove the keyboard ([pg 18](#)).
4. Remove the three screws from the Heatspreader.
5. Remove the EMI tape from the heatspreader and lift it out of the chassis.



To replace the Heatspreader, reverse the previous procedures.

**Note:** If the thermal pads on the Heatspreader are missing or damaged, a new Heatspreader should be installed.

**Important:** Before installing the new Heatspreader, remove the plastic covering from the thermal pads.



**WARNING:** To prevent damage, do not use excessive force when replacing the screws.

# maintenance & service guide

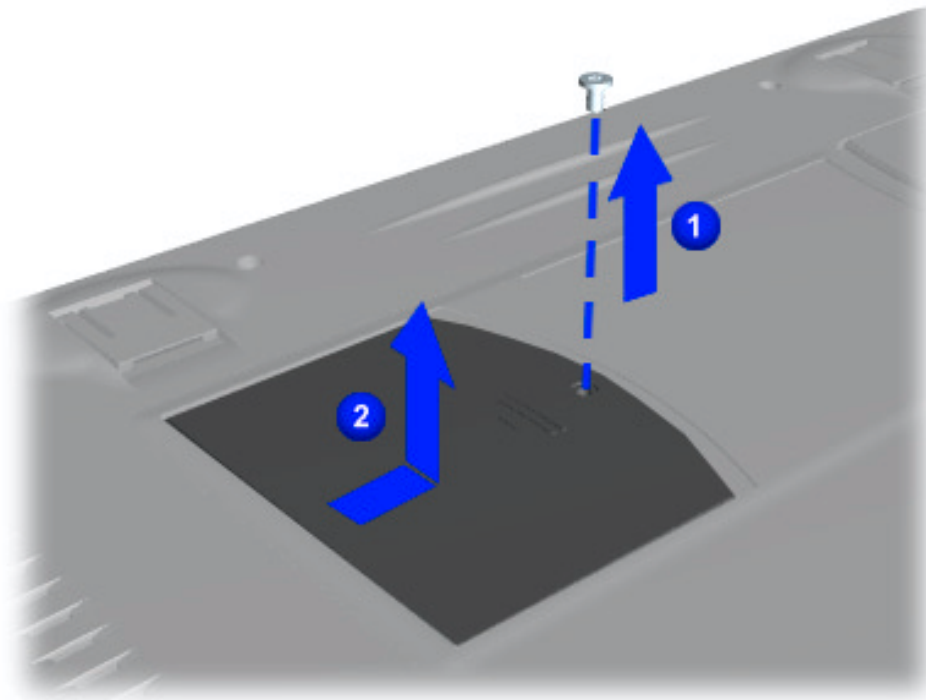
## Presario 1600XL Series

Model 1600T, 1600-XL140, 1600-XL141, 1600-XL142, 1600-XL143, 1600-XL144, 1600-XL146, 1600-XL147, 1600-XL150 XL156, XL157, XL255, XL256, XL257, and XL258

### *Removing the Modem*

To remove the modem, complete the following steps:

1. Prepare the Notebook for disassembly ([pg 12](#)).
2. Turn the Notebook upside down and locate the modem door. (The modem door is located on the left side when the Notebook is upside down.)
3. Remove one screw from the modem door.



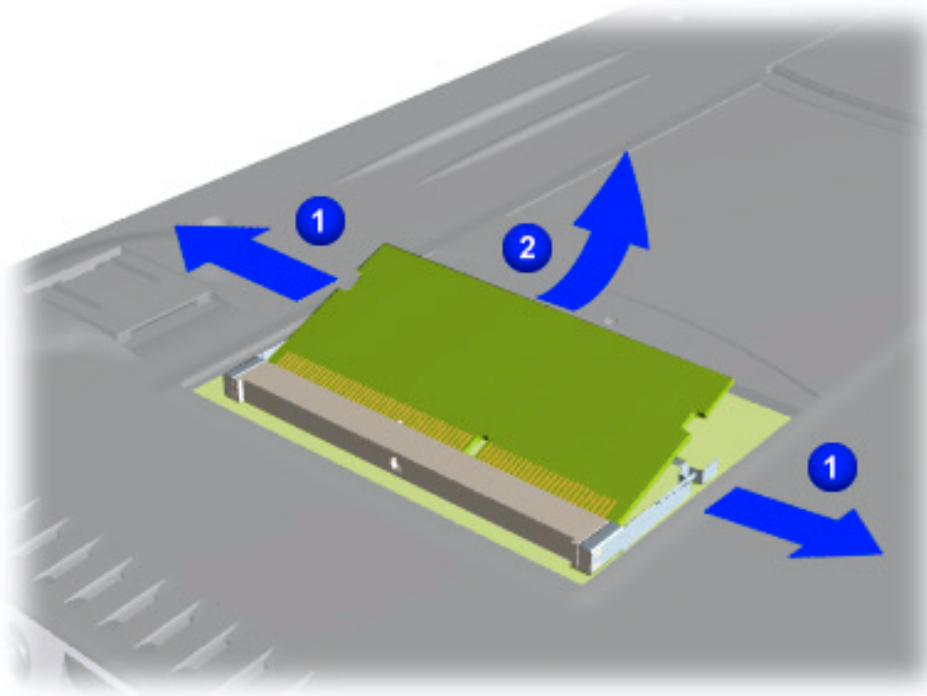
Continued on next page

# maintenance & service guide

## Presario 1600XL Series

Model 1600T, 1600-XL140, 1600-XL141, 1600-XL142, 1600-XL143, 1600-XL144, 1600-XL146, 1600-XL147, 1600-XL150 XL156, XL157, XL255, XL256, XL257, and XL258

4. Gently pull the two modem latches on each side of the modem.
5. Disconnect the modem from the system board.



To replace the modem board, reverse these procedures.

# maintenance & service guide

## Presario 1600XL Series

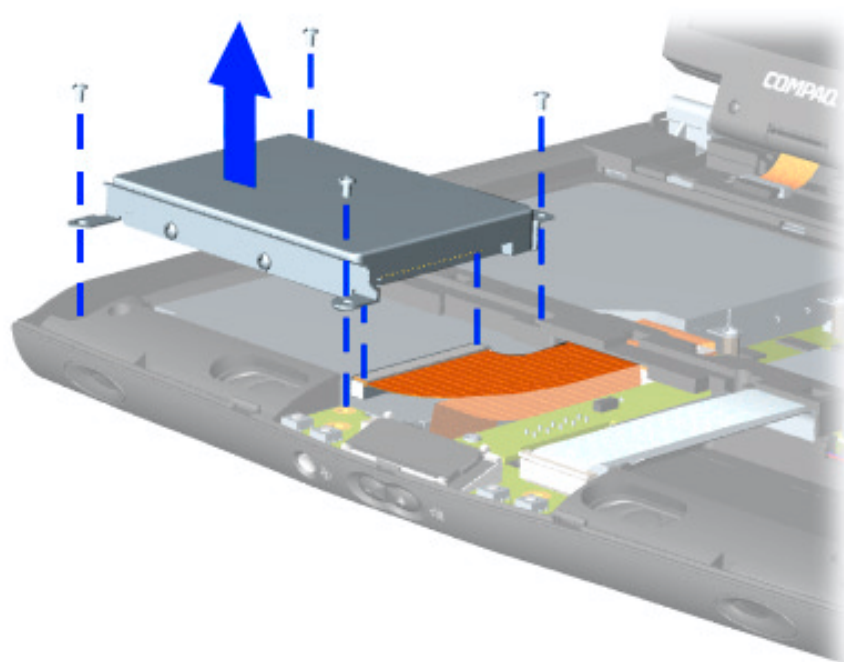
Model 1600T, 1600-XL140, 1600-XL141, 1600-XL142, 1600-XL143, 1600-XL144, 1600-XL146, 1600-XL147, 1600-XL150, 1600-XL156, 1600-XL157, 1600-XL255, 1600-XL256, 1600-XL257, and 1600-XL258

### *Removing the Hard Drive*

**Note:** Illustrations may show parts removed that are not part of this procedure. It is necessary to remove only the parts listed in the written procedure.

To remove the hard drive, complete the following steps:

1. Prepare the Notebook for disassembly ([pg 12](#)).
2. Remove the Palmrest Cover with TouchPad ([pg 15](#)).
3. Remove the four screws from the hard drive mounting bracket, disconnect the hard drive data cable, and lift out the hard drive with drive mounting brackets attached.
4. Remove the screws from the hard drive mounting bracket and lift out the hard drive with mounting brackets attached.



Procedure continued on next page.

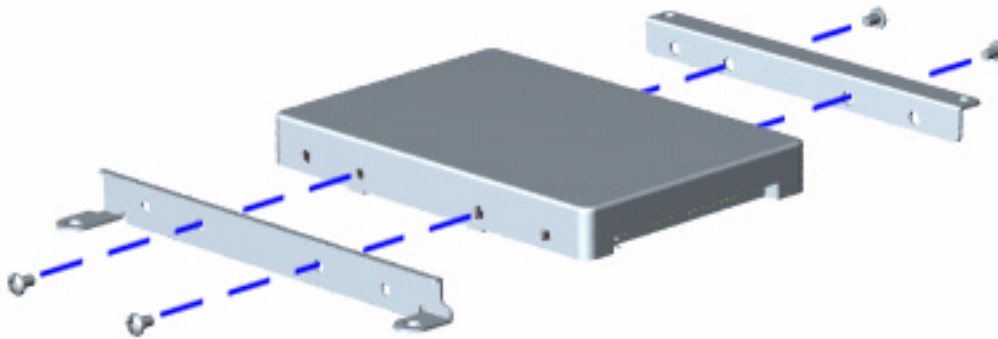
# maintenance & service guide

## Presario 1600XL Series

Model 1600T, 1600-XL140, 1600-XL141, 1600-XL142, 1600-XL143, 1600-XL144, 1600-XL146, 1600-XL147, 1600-XL150, XL156, XL157, XL255, XL256, XL257, and XL258

### Removing the Hard Drive Mounting Brackets

To remove the hard drive mounting brackets, remove two screws from each of side of the hard drive.



To replace the hard drive and mounting brackets, reverse this procedure.

# maintenance & service guide

## Presario 1600XL Series

**Model 1600T, 1600-XL140, 1600-XL141, 1600-XL142, 1600-XL143, 1600-XL144, 1600-XL146, 1600-XL147, 1600-XL150, 1600-XL156, XL157, XL255, XL256, XL257, and XL258**

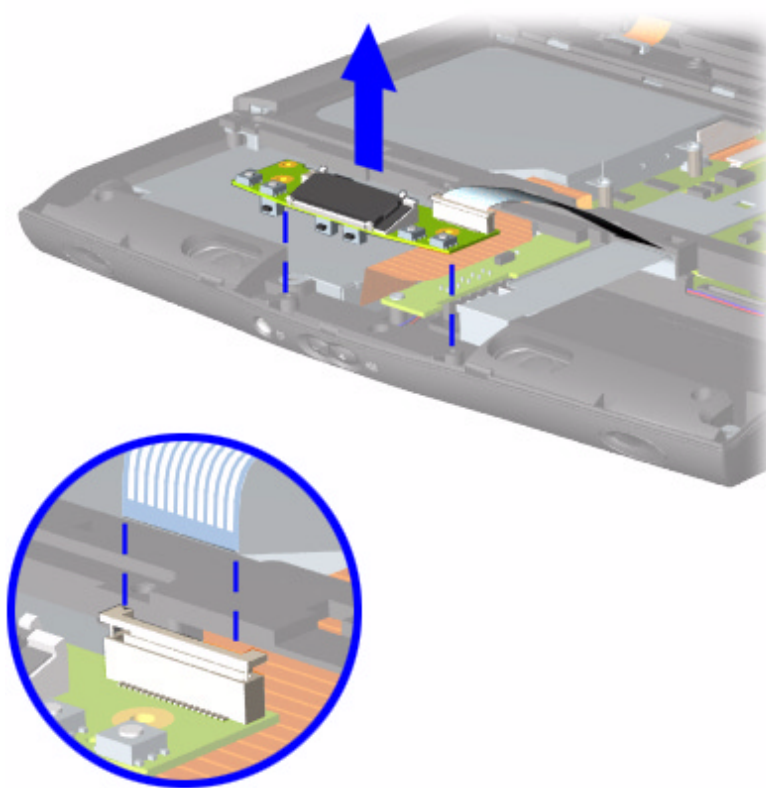
### *Removing the DisqPlay Module*

**Note:** Illustrations may show parts removed that are not part of this procedure. It is necessary to remove **only** the parts listed in the written procedure.

To remove the DisqPlay Module, complete the following steps:

1. Prepare the Notebook for disassembly ([pg 12](#)).
2. Remove the Palmrest Cover with TouchPad ([pg 15](#)).
3. Remove the hard drive ([pg 27](#)).
4. Lift up the DisqPlay Module, disconnect the flex cable from the DisqPlay Module, and remove the DisqPlay Module from the chassis.

To replace the DisqPlay Module, reverse the previous procedures.



# maintenance & service guide

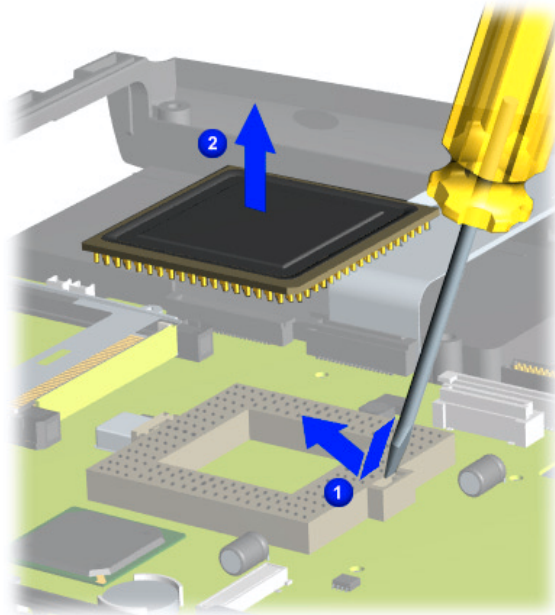
## Presario 1600XL Series

Model 1600T, 1600-XL140, 1600-XL141, 1600-XL142, 1600-XL143, 1600-XL144, 1600-XL146, 1600-XL147, 1600-XL150, 1600-XL156, 1600-XL157, 1600-XL255, 1600-XL256, 1600-XL257, and 1600-XL258

### *Removing the Processor*

To remove the processor, complete the following steps:

1. Prepare the Notebook for disassembly ([pg 12](#)).
2. Remove the Palmrest Cover with TouchPad ([pg 15](#)).
3. Remove the keyboard ([pg 18](#)).
4. Remove the Heatspreader ([pg 24](#)).
5. Place the tip of a standard screwdriver in the "Open" slot, shift it to the right, and lift the processor from the chassis.



To replace the processor:

1. Fully align the processor connector with the system board connector.
2. Press down carefully on the processor directly over the connectors to seat the processor.
3. Reassemble the remaining subassemblies by reversing their removal procedures.

# maintenance & service guide

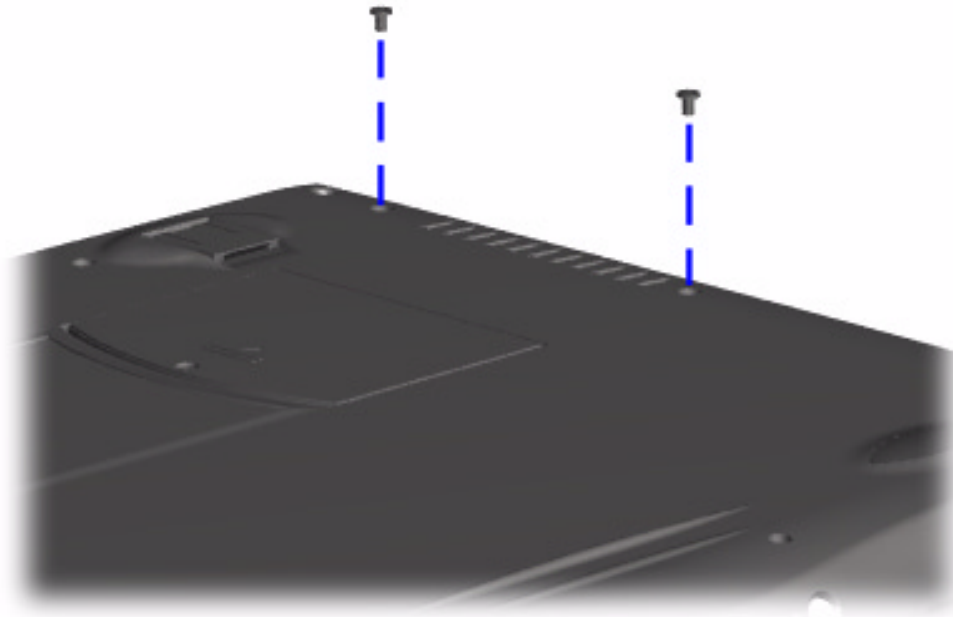
## Presario 1600XL Series

Model 1600T, 1600-XL140, 1600-XL141, 1600-XL142, 1600-XL143, 1600-XL144, 1600-XL146, 1600-XL147, 1600-XL150, 1600-XL156, 1600-XL157, 1600-XL255, 1600-XL256, 1600-XL257, and 1600-XL258

### *Removing the CD/DVD Drive*

To remove the CD/DVD Drive, complete the following steps:

1. Prepare the Notebook for disassembly ([pg 12](#)).
2. Remove the Palmrest Cover with TouchPad ([pg 15](#)).
3. Remove the keyboard ([pg 18](#)).
4. Remove the Heatspreader ([pg 24](#)).
5. Turn the unit over and remove the two screws from the base enclosure that secure the CD or DVD drive to the chassis.



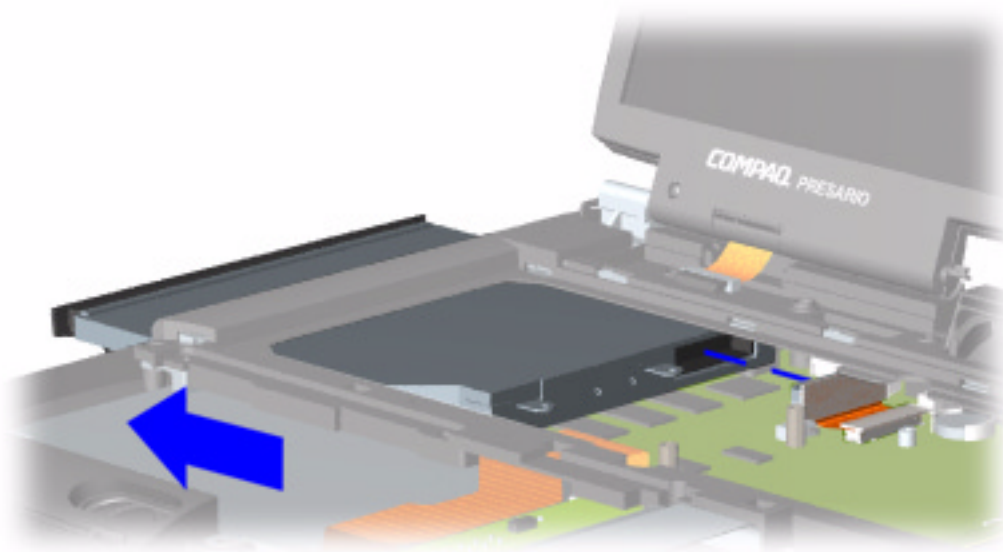


# maintenance & service guide

## Presario 1600XL Series

**Model 1600T, 1600-XL140, 1600-XL141, 1600-XL142, 1600-XL143, 1600-XL144, 1600-XL146, 1600-XL147, 1600-XL150, XL156, XL157, XL255, XL256, XL257, and XL258**

6. Disconnect the CD or DVD Drive cable from the CD or DVD Drive and push forward from the back of the drive to remove it from the chassis.



To replace the CD/DVD Drive, reverse these procedures.

# maintenance & service guide

## Presario 1600XL Series

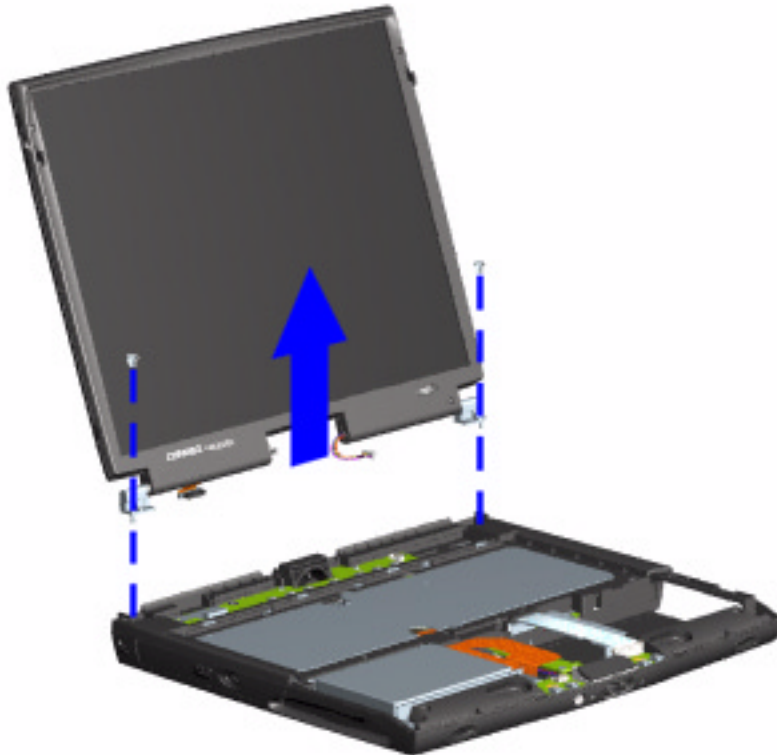
Model 1600T, 1600-XL140, 1600-XL141, 1600-XL142, 1600-XL143, 1600-XL144, 1600-XL146, 1600-XL147, 1600-XL150, 1600-XL156, 1600-XL157, 1600-XL255, 1600-XL256, 1600-XL257, and 1600-XL258

### *Removing the Display Panel Assembly*

**Note:** Illustrations may show parts removed that are not part of this procedure. It is necessary to remove **only** the parts listed in the written procedure.

To remove the display panel assembly, complete the following steps:

1. Prepare the Notebook for disassembly ([pg 12](#)).
2. Remove the Status/Internet Zone Cover ([pg 19](#)).
3. Remove the two outermost screws from the display base hinges.
4. Remove the display assembly from the chassis.



To replace the display panel, reverse these procedures.

# maintenance & service guide

## Presario 1600XL Series

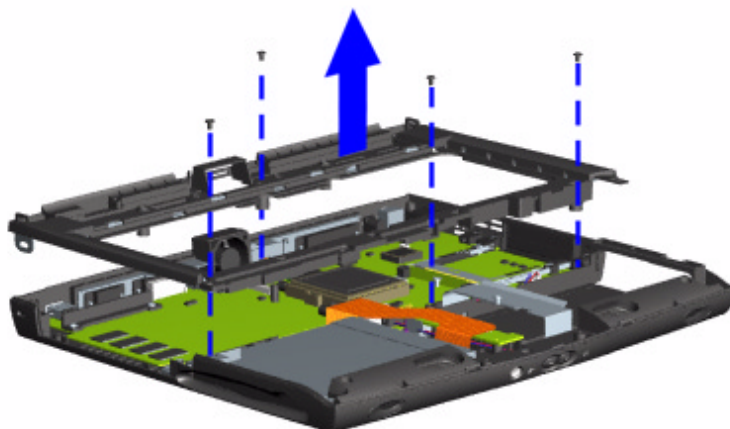
**Model 1600T, 1600-XL140, 1600-XL141, 1600-XL142, 1600-XL143, 1600-XL144, 1600-XL146, 1600-XL147, 1600-XL150, 1600-XL156, 1600-XL157, 1600-XL255, 1600-XL256, 1600-XL257, and 1600-XL258**

### *Removing the Upper CPU Cover*

To remove the upper CPU cover, complete the following:

1. Prepare the Notebook for disassembly ([pg 12](#)).
2. Remove the Palmrest Cover with TouchPad ([pg 15](#)).
3. Remove the keyboard ([pg 18](#)).
4. Remove the Heatspreader ([pg 24](#)).
5. Remove the Status/Internet Zone Cover ([pg 19](#)).
6. Remove the Internet Button Board ([pg 22](#)).
7. Remove the hard drive ([pg 27](#)).
8. Remove the display panel assembly ([pg 33](#)).
9. Remove the four screws located on the top of the upper CPU cover and lift the cover off the chassis.

To replace the upper CPU cover, reverse the previous procedures.



# maintenance & service guide

## Presario 1600XL Series

**Model 1600T, 1600-XL140, 1600-XL141, 1600-XL142, 1600-XL143, 1600-XL144, 1600-XL146, 1600-XL147, 1600-XL150 XL156, XL157, XL255, XL256, XL257, and XL258**

### *Removing the Fan Assembly*

To remove the fan assembly, complete the following:

1. Prepare the Notebook for disassembly ([pg 12](#)).
2. Remove the Palmrest Cover with TouchPad ([pg 15](#)).
3. Remove the keyboard ([pg 18](#)).
4. Remove the Heatspreader ([pg 24](#)).
5. Remove the Status/Internet Zone Cover ([pg 19](#)).
6. Remove the Internet Button Board ([pg 22](#)).
7. Remove the display panel assembly ([pg 33](#)).
8. Remove the hard drive ([pg 27](#)).
9. Remove the upper CPU cover ([pg 34](#)).

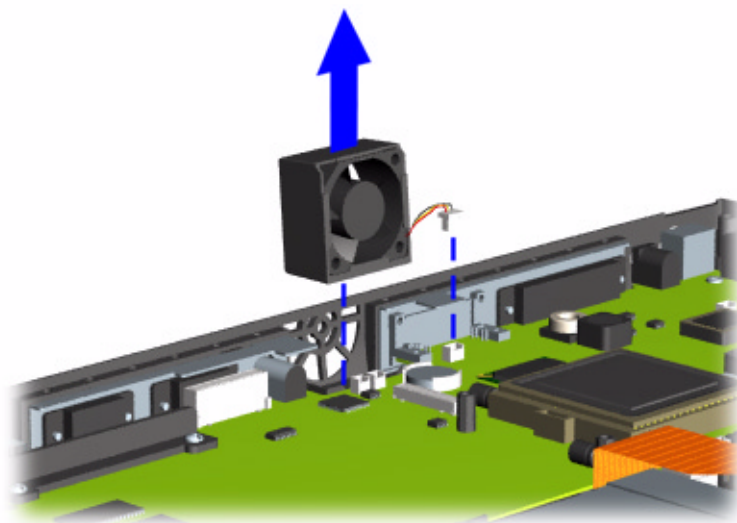
Procedure continued on next page.

# maintenance & service guide

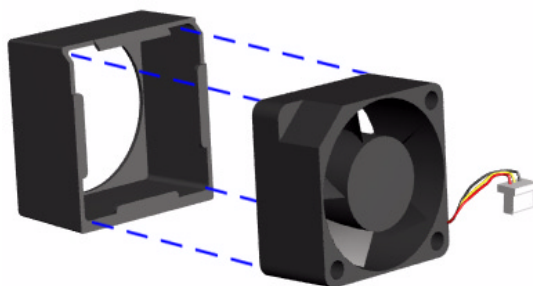
## Presario 1600XL Series

**Model 1600T, 1600-XL140, 1600-XL141, 1600-XL142, 1600-XL143, 1600-XL144, 1600-XL146, 1600-XL147, 1600-XL150, 1600-XL156, 1600-XL157, 1600-XL255, 1600-XL256, 1600-XL257, and 1600-XL258**

10. Lift the fan assembly from the chassis slot and disconnect the fan cable from the connector on the system board. The fan faces inward, and the arrow is not visible on the side of the fan.



**Note:** If you are replacing the fan assembly, remove the fan gasket by pulling it from the fan, and placing it on the new fan assembly.



To replace the fan assembly and gasket, reverse these procedures.

**Important:** When replacing the fan assembly, be sure that the manufacturing label is pointing inward.

# maintenance & service guide

## Presario 1600XL Series

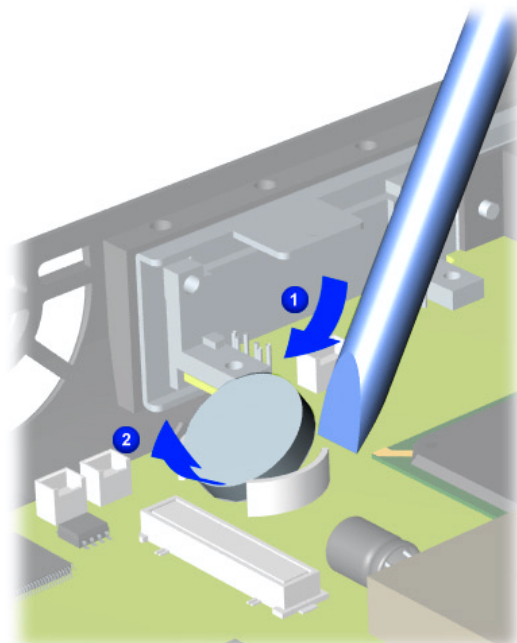
**Model 1600T, 1600-XL140, 1600-XL141, 1600-XL142, 1600-XL143, 1600-XL144, 1600-XL146, 1600-XL147, 1600-XL150, 1600-XL156, XL157, XL255, XL256, XL257, and XL258**

### *Removing the Real Time Clock Battery*

**⚠ CAUTION:** Removing the RTC battery [clears the power-on password](#) and removes all setup attributes that are programmed in the CMOS.

To remove the RTC battery, complete the following steps:

1. Prepare the Notebook for disassembly ([pg 12](#)).
2. Remove the Palmrest Cover with TouchPad ([pg 15](#)).
3. Remove the keyboard ([pg 18](#)).
4. Remove the Heatspreader ([pg 24](#)).
5. Remove the Internet Button Board ([pg 22](#)).
6. Remove the display panel assembly ([pg 33](#)).
7. Remove the hard drive ([pg 27](#)).
8. Remove the RTC battery from the battery socket, prying gently with a non-conductive piece of material. The RTC battery is located on the system board behind the CD/DVD drive near the rear edge of the chassis.



To replace the RTC battery, press the battery firmly into the socket and reverse the previous procedures to replace the remaining components.

# maintenance & service guide

## Presario 1600XL Series

**Model 1600T, 1600-XL140, 1600-XL141, 1600-XL142, 1600-XL143, 1600-XL144, 1600-XL146, 1600-XL147, 1600-XL150, XL156, XL157, XL255, XL256, XL257, and XL258**

### *Removing the Battery Charger Board*

*(Voltage Converter Board)*

To remove the battery charger board, complete the following:

1. Prepare the Notebook for disassembly ([pg 12](#)).
2. Remove the Palmrest Cover with TouchPad ([pg 15](#)).
3. Remove the keyboard ([pg 18](#)).
4. Remove the Heatspreader ([pg 24](#)).
5. Remove the Status/Internet Zone Cover ([pg 19](#)).
6. Remove the Internet Button Board ([pg 22](#)).
7. Remove the display panel assembly ([pg 33](#)).
8. Remove the hard drive ([pg 27](#)).
9. Remove the upper CPU cover ([pg 34](#)).

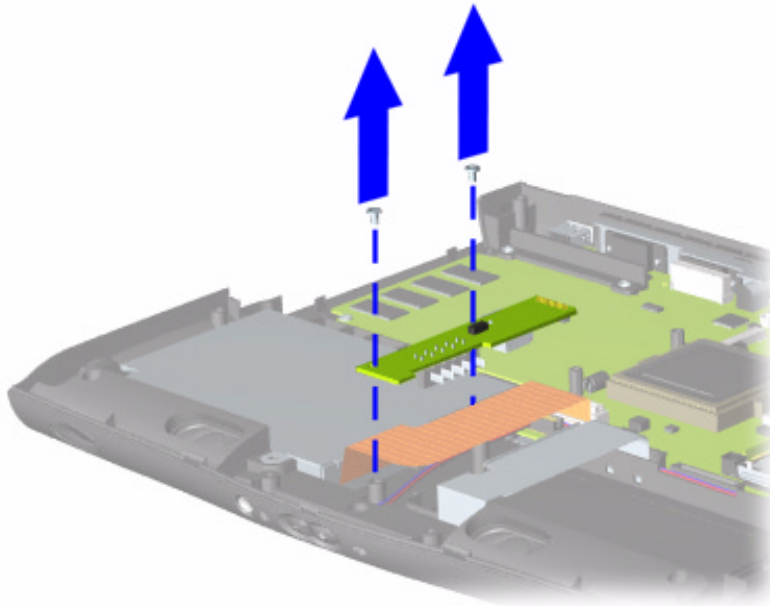
Procedure continued on next page.

# maintenance & service guide

## Presario 1600XL Series

Model 1600T, 1600-XL140, 1600-XL141, 1600-XL142, 1600-XL143, 1600-XL144, 1600-XL146, 1600-XL147, 1600-XL150, 1600-XL156, XL157, XL255, XL256, XL257, and XL258

10. Remove the two screws from the battery charger board.
11. Lift the battery charger board out of the chassis.



To replace the battery charger board, reverse these procedures.

**Important:** When replacing the battery charger board, ensure that the pins are aligned with the connector on the system board.



# maintenance & service guide

## Presario 1600XL Series

**Model 1600T, 1600-XL140, 1600-XL141, 1600-XL142, 1600-XL143, 1600-XL144, 1600-XL146, 1600-XL147, 1600-XL150, 1600-XL156, 1600-XL157, 1600-XL255, 1600-XL256, 1600-XL257, and 1600-XL258**

### *Removing the Diskette Drive*

To remove the diskette drive, complete the following:

1. Prepare the Notebook for disassembly ([pg 12](#)).
2. Remove the Palmrest Cover with TouchPad ([pg 15](#)).
3. Remove the keyboard ([pg 18](#)).
4. Remove the Heatspreader ([pg 24](#)).
5. Remove the CD or DVD Drive ([pg 31](#)).
6. Remove the Status/Internet Zone Cover ([pg 19](#)).
7. Remove the Internet Button Board ([pg 22](#)).
8. Remove the display panel assembly ([pg 33](#)).
9. Remove the hard drive ([pg 27](#)).
10. Remove the upper CPU cover ([pg 34](#)).
11. Remove the battery charger board ([pg 38](#)).

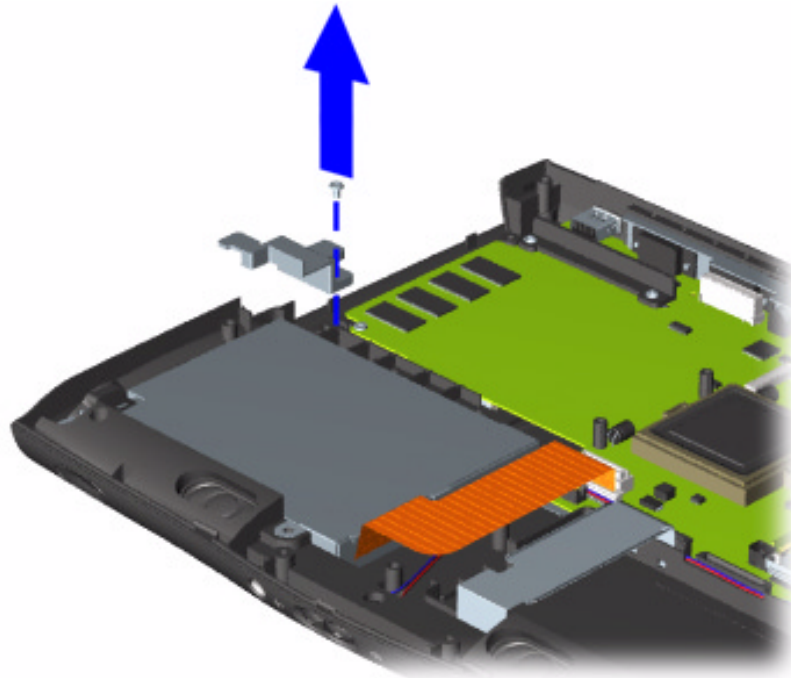
Procedure continued on next page.

# maintenance & service guide

## Presario 1600XL Series

Model 1600T, 1600-XL140, 1600-XL141, 1600-XL142, 1600-XL143, 1600-XL144, 1600-XL146, 1600-XL147, 1600-XL150, 1600-XL156, XL157, XL255, XL256, XL257, and XL258

12. Remove the screw from the diskette drive retaining bracket.



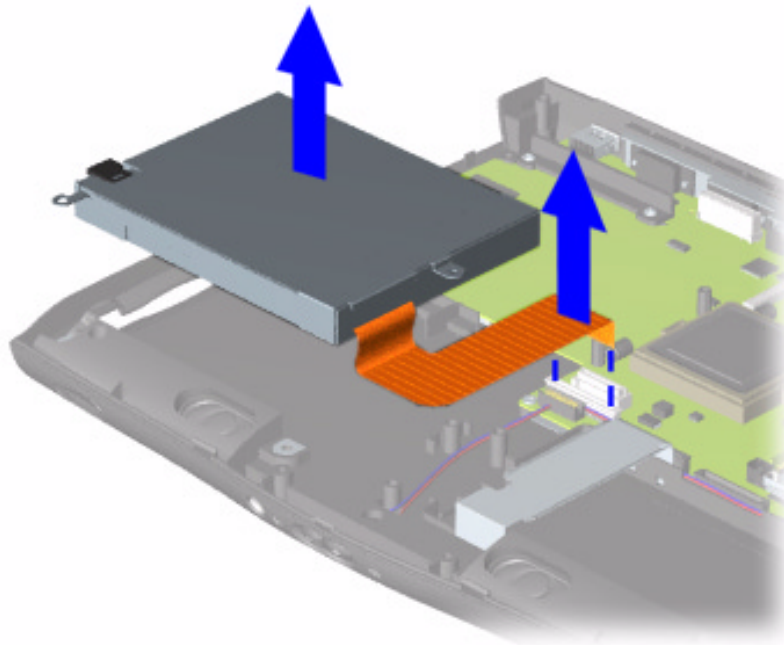
Procedure continued on next page.

# maintenance & service guide

## Presario 1600XL Series

Model 1600T, 1600-XL140, 1600-XL141, 1600-XL142, 1600-XL143, 1600-XL144, 1600-XL146, 1600-XL147, 1600-XL150, 1600-XL156, 1600-XL157, 1600-XL255, 1600-XL256, 1600-XL257, and 1600-XL258

13. Disconnect the diskette drive data cable from the [ZIF Connector](#) on the system board and lift the diskette drive from the chassis.



To replace the diskette drive, reverse the previous procedures.

**CAUTION:** Ensure that cables are placed in their proper locations during the reassembly process.

# maintenance & service guide

## Presario 1600XL Series

**Model 1600T, 1600-XL140, 1600-XL141, 1600-XL142, 1600-XL143, 1600-XL144, 1600-XL146, 1600-XL147, 1600-XL150, 1600-XL156, XL157, XL255, XL256, XL257, and XL258**

### *Removing the Speaker Assembly*

To remove the speaker assembly, complete the following:

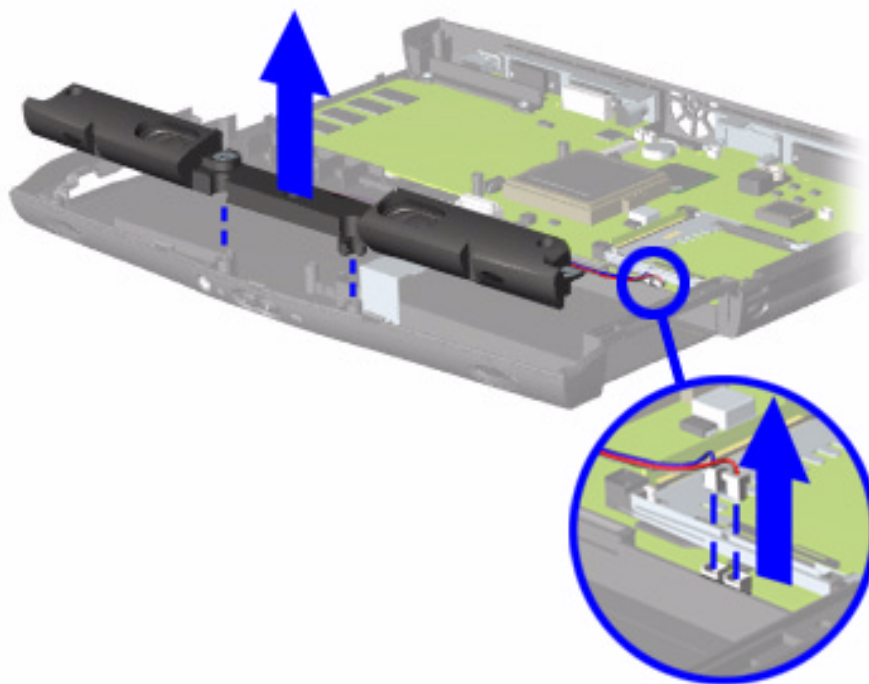
1. Prepare the Notebook for disassembly ([pg 12](#)).
2. Remove the Palmrest Cover with TouchPad ([pg 15](#)).
3. Remove the keyboard ([pg 18](#)).
4. Remove the display panel assembly ([pg 33](#)).
5. Remove the Status/Internet Zone Cover ([pg 19](#)).
6. Remove the Internet Button Board ([pg 22](#)).
7. Remove the Heatspreader ([pg 24](#)).
8. Remove the upper CPU cover ([pg 34](#)).
9. Remove the hard drive ([pg 27](#)).
10. Remove the battery charger board ([pg 38](#)).

# maintenance & service guide

## Presario 1600XL Series

Model 1600T, 1600-XL140, 1600-XL141, 1600-XL142, 1600-XL143, 1600-XL144, 1600-XL146, 1600-XL147, 1600-XL150, 1600-XL156, 1600-XL157, 1600-XL255, 1600-XL256, 1600-XL257, and 1600-XL258

11. Disconnect the speaker cables from the system board and lift the speaker assembly from the chassis.



**CAUTION:** Ensure that cables are placed in their proper locations during the reassembly process.

To replace the speaker assembly, reverse the previous procedures.

# maintenance & service guide

## Presario 1600XL Series

**Model 1600T, 1600-XL140, 1600-XL141, 1600-XL142, 1600-XL143, 1600-XL144, 1600-XL146, 1600-XL147, 1600-XL150, 1600-XL156, 1600-XL157, 1600-XL255, 1600-XL256, 1600-XL257, and 1600-XL258**

### *Removing the System Board*

To remove the system board, complete the following steps:

1. Prepare the Notebook for disassembly ([pg 12](#)).
2. Remove the Palmrest Cover with TouchPad ([pg 15](#)).
3. Remove the keyboard ([pg 18](#)).
4. Remove the display panel assembly ([pg 33](#)).
5. Remove the Status/Internet Zone Cover ([pg 19](#)).
6. Remove the Internet Button board ([pg 22](#)).
7. Remove the Heatspreader ([pg 24](#)).
8. Disconnect the Display Module cable from the system board.
9. Remove the processor ([pg 30](#)).
10. Remove the CD or DVD drive.
11. Remove the upper CPU cover ([pg 34](#)).
12. Remove the hard drive ([pg 27](#)).
13. Remove the fan assembly.
14. Disconnect the diskette drive cable from the system board ([pg 8](#)).
15. Remove the battery charger board ([pg 38](#)).
16. Disconnect the speaker assembly cables from the system board.

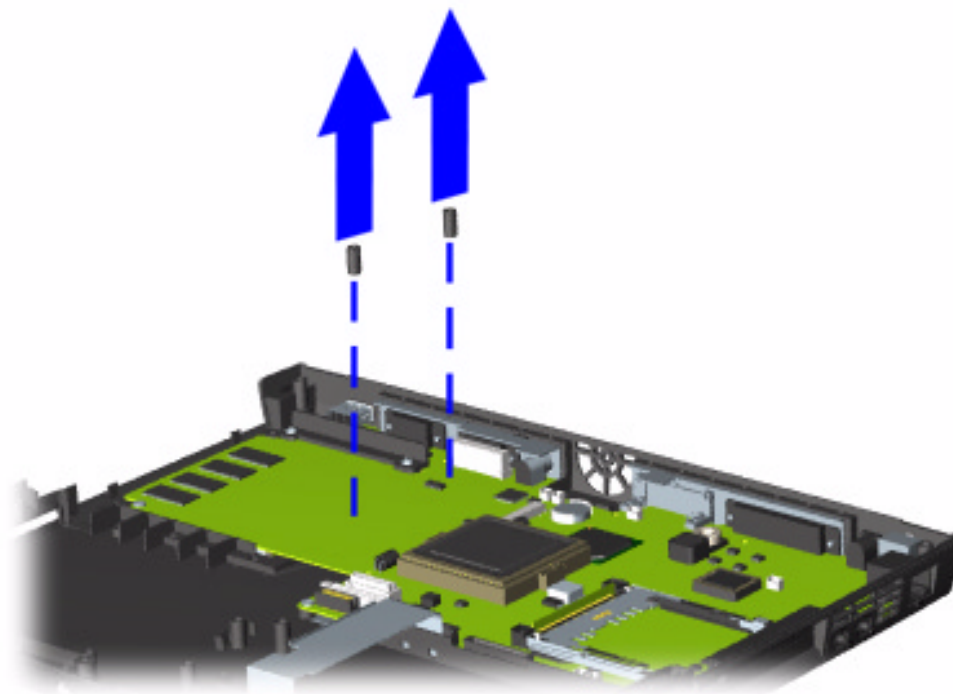
Procedure continued on next page.

# maintenance & service guide

## Presario 1600XL Series

Model 1600T, 1600-XL140, 1600-XL141, 1600-XL142, 1600-XL143, 1600-XL144, 1600-XL146, 1600-XL147, 1600-XL150, 1600-XL156, XL157, XL255, XL256, XL257, and XL258

17. Remove the two standoffs from the system board.



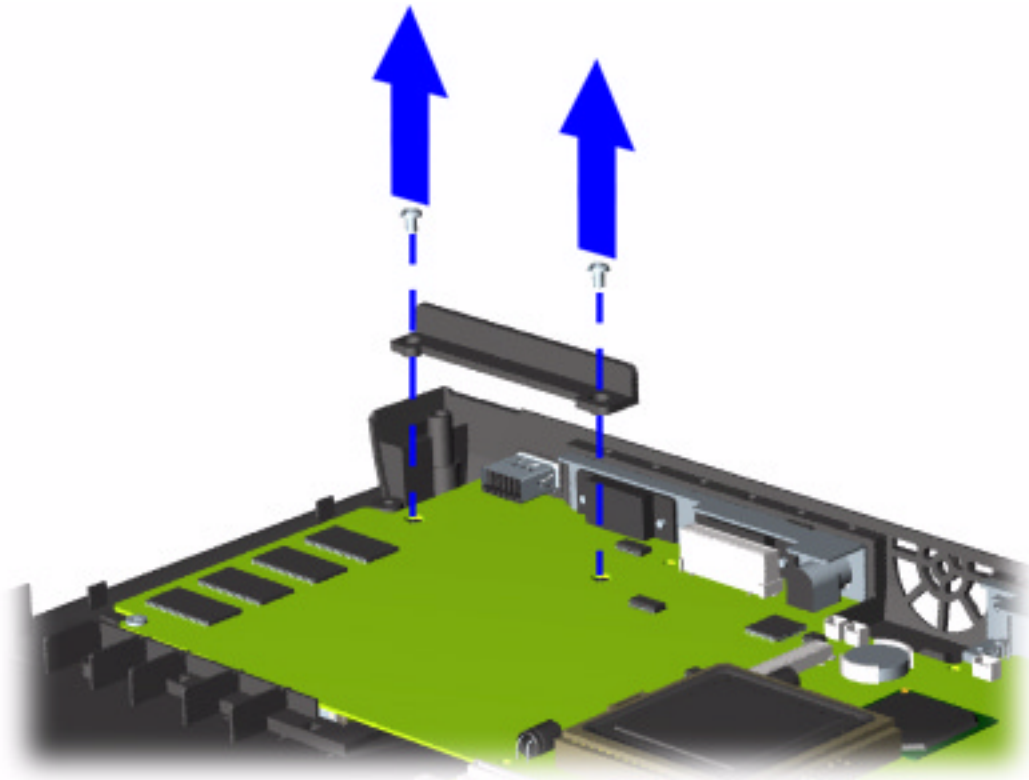
Procedure continued on next page.

# maintenance & service guide

## Presario 1600XL Series

**Model 1600T, 1600-XL140, 1600-XL141, 1600-XL142, 1600-XL143, 1600-XL144, 1600-XL146, 1600-XL147, 1600-XL150 XL156, XL157, XL255, XL256, XL257, and XL258**

18. Remove the two screws from the CD or DVD drive mounting rail, and lift the mounting rail from the system board.



Procedure continued on next page.

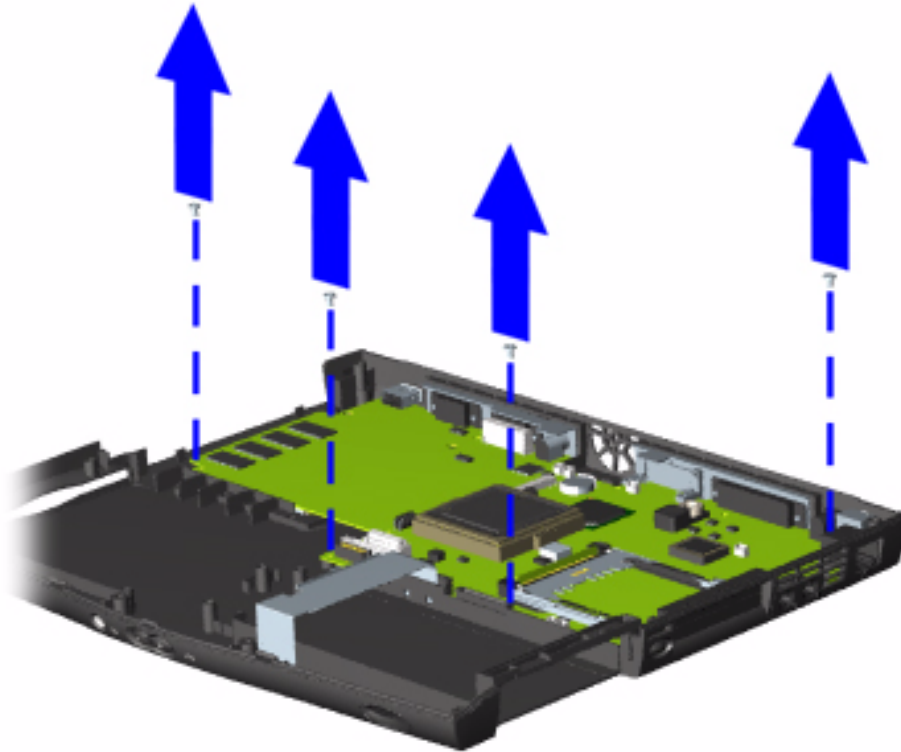


# maintenance & service guide

## Presario 1600XL Series

**Model 1600T, 1600-XL140, 1600-XL141, 1600-XL142, 1600-XL143, 1600-XL144, 1600-XL146, 1600-XL147, 1600-XL150 XL156, XL157, XL255, XL256, XL257, and XL258**

19. Remove the four screws from the system board.
20. Remove all EMI tape from the system board



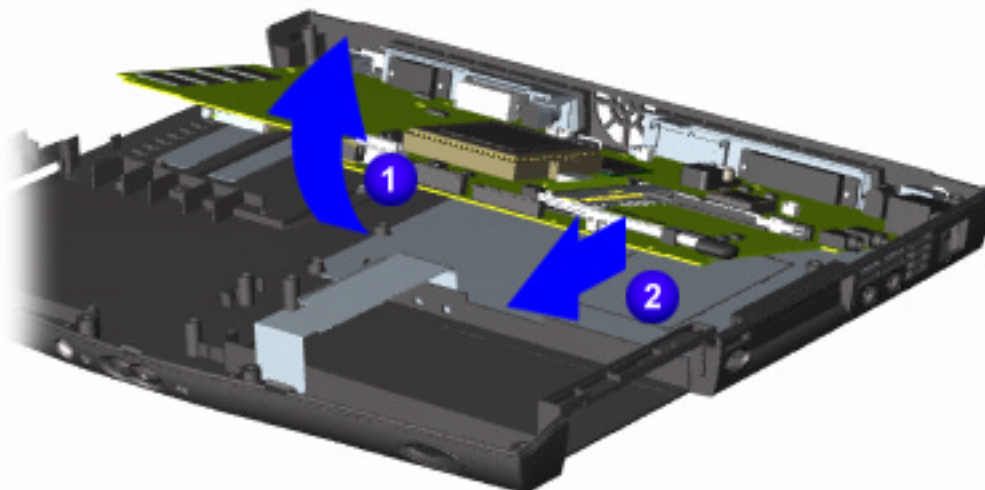
Procedure continued on next page.

# maintenance & service guide

## Presario 1600XL Series

Model 1600T, 1600-XL140, 1600-XL141, 1600-XL142, 1600-XL143, 1600-XL144, 1600-XL146, 1600-XL147, 1600-XL150, 1600-XL156, 1600-XL157, 1600-XL255, 1600-XL256, 1600-XL257, and 1600-XL258

21. Shift the board to the left and lift up, then pull out to remove it from the chassis.



**Important:** Before replacing the system board, remove all remaining cables.

To replace the system board, reverse the previous procedures.



# maintenance & service guide

## Presario 1600XL Series

**Model 1600T, 1600-XL140, 1600-XL141, 1600-XL142, 1600-XL143, 1600-XL144, 1600-XL146, 1600-XL147, 1600-XL150 XL156, XL157, XL255, XL256, XL257, and XL258**