

Thank you for purchasing this Factory Service Manual CD/DVD from servicemanuals4u.com.

Please check out our eBay auctions for more great deals on Factory Service Manuals:

[servicemanuals4u](http://servicemanuals4u.com)

maintenance & service guide

Presario 1600XL Series

Model 1600T, 1600-XL140, 1600-XL141, 1600-XL142, 1600-XL143, 1600-XL144, 1600-XL146, 1600-XL147, 1600-XL150, 1600-XL156, 1600-XL157, 1600-XL255, 1600-XL256, 1600-XL257, and 1600-XL258

Illustrated Parts Catalog



This section provides a breakdown of illustrated parts and a reference for spare parts for the Presario 1600XL Series Notebook.

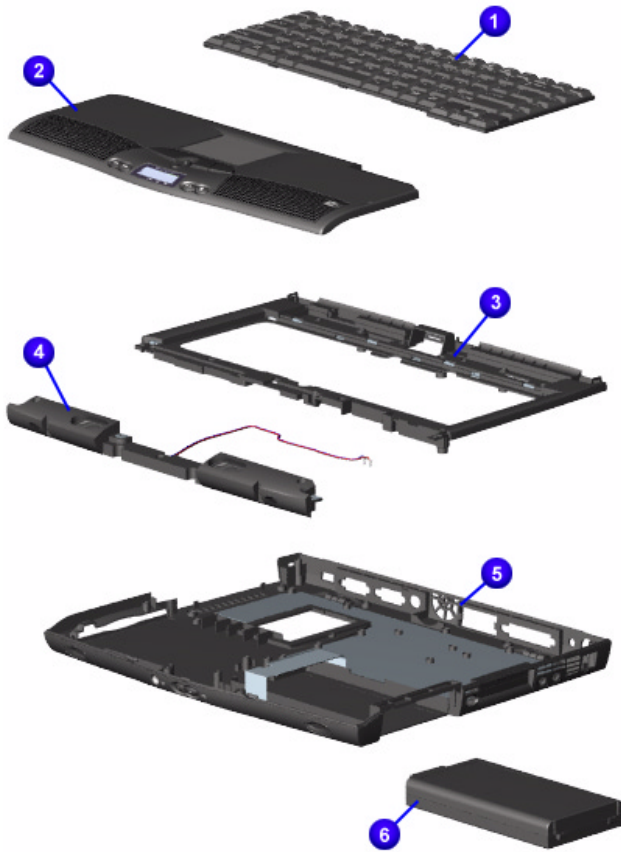
The computer serial number should be provided to Compaq whenever requesting information or ordering spare parts. The serial number ❶ is located underneath the unit.

maintenance & service guide

Presario 1600XL Series

Model 1600T, 1600-XL140, 1600-XL141, 1600-XL142, 1600-XL143, 1600-XL144, 1600-XL146, 1600-XL147, 1600-XL150, 1600-XL156, 1600-XL157, 1600-XL255, 1600-XL256, 1600-XL257, and 1600-XL258

System Units



#	Description	Model Number	Spare Part Number
❶	Keyboards	141, 144, 146, 150, 256	170090-001
		144, 155, 256	170090-031
		141, 144, 146, 150, 151, 256	170090-041
		141, 144, 146, 150, 256	170090-051
		141, 144, 146, 150, 256	170090-061
		141, 146, 256	170090-081
		141, 144, 146, 150, 256	170090-091
		146, 255	170090-101
		142, 256	170090-131
		144, 146, 150, 256	170090-161
		141, 144, 146, 150, 256	170090-311
		141, 146, 256	170090-331
		143, 146, 258, 257	170090-381
		All, CTO	170090-291
❷	Palmrest w/ Touchpad	All, CTO	159490-001
❸	CPU Cover w/Power Switch	All, CTO	159492-001
❹	Speakers w/ Enclosure and Cables	All, CTO	159494-001

maintenance & service guide

Presario 1600XL Series

Model 1600T, 1600-XL140, 1600-XL141, 1600-XL142, 1600-XL143, 1600-XL144, 1600-XL146, 1600-XL147, 1600-XL150, 1600-XL156, 1600-XL157, 1600-XL255, 1600-XL256, 1600-XL257, and 1600-XL258

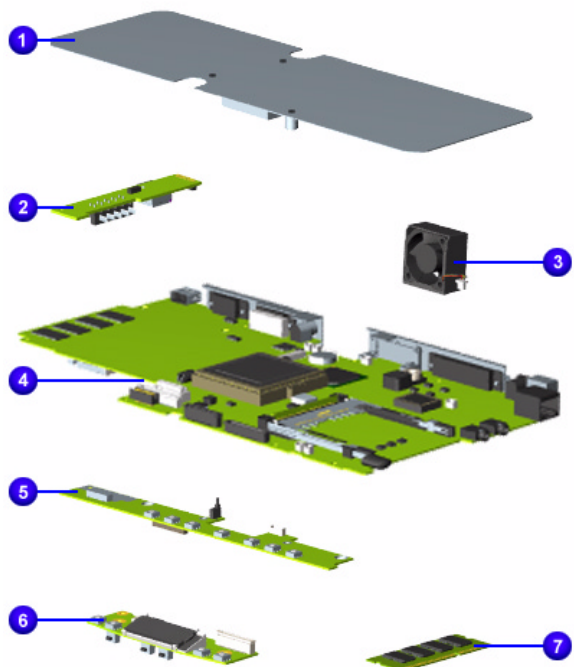
#	Description	Model Number	Spare Part Number
⑤	Enclosure Base	All, CTO	159491-001
⑥	Battery Pack Li-ION Enhanced	All, CTO	138184-001
⑦	Button Board Cover (not shown)	All, CTO	159493-002

maintenance & service guide

Presario 1600XL Series

Model 1600T, 1600-XL140, 1600-XL141, 1600-XL142, 1600-XL143, 1600-XL144, 1600-XL146, 1600-XL147, 1600-XL150, XL156, XL157, XL255, XL256, XL257, and XL258

System Boards



#	Description	Model Number	Spare Part Number
①	Heat Spreader	147, 145, 146, 151, 152, 153, 155, 154, 256, 255, 258, 257	159501-001
②	Voltage Converter Board	140, 141, 147, 144, 146, 150, 151, 155, 256, 255	174042-001
③	Fan Assembly	140, 152, CTO	352891-001
④	Processors	140, 141, 143, 142, 146, 150, CTO	159500-001
	CEL 466MHz 128K	140, 141, 144, CTO	174040-001
	CEL 500MHz 128K	143, 142, 146, 150, CTO	159484-001
	CEL 533MHz 128K	150	187724-001
	PIII 500MHz 256K	147, 145, 146, CTO	174041-001
	PIII 600MHz 256K	151, 153, CTO	159485-001
	PIII 650MHz 256K	155, 154, 256, CTO	175308-001
	C/566MHz 1.5V FC-PGA	152, 255, 257	201565-001
⑤	Internet Switch Board	All, CTO	159495-001
⑥	LCD Indicator Module	All, CTO	138187-001
	Module II	All, CTO	177457-001

maintenance & service guide

Presario 1600XL Series

Model 1600T, 1600-XL140, 1600-XL141, 1600-XL142, 1600-XL143, 1600-XL144, 1600-XL146, 1600-XL147, 1600-XL150, 1600-XL151, 1600-XL152, 1600-XL153, 1600-XL154, 1600-XL155, 1600-XL156, 1600-XL157, 1600-XL158, 1600-XL159, 1600-XL160, 1600-XL161, 1600-XL162, 1600-XL163, 1600-XL164, 1600-XL165, 1600-XL166, 1600-XL167, 1600-XL168, 1600-XL169, 1600-XL170, 1600-XL171, 1600-XL172, 1600-XL173, 1600-XL174, 1600-XL175, 1600-XL176, 1600-XL177, 1600-XL178, 1600-XL179, 1600-XL180, 1600-XL181, 1600-XL182, 1600-XL183, 1600-XL184, 1600-XL185, 1600-XL186, 1600-XL187, 1600-XL188, 1600-XL189, 1600-XL190, 1600-XL191, 1600-XL192, 1600-XL193, 1600-XL194, 1600-XL195, 1600-XL196, 1600-XL197, 1600-XL198, 1600-XL199, 1600-XL200, 1600-XL201, 1600-XL202, 1600-XL203, 1600-XL204, 1600-XL205, 1600-XL206, 1600-XL207, 1600-XL208, 1600-XL209, 1600-XL210, 1600-XL211, 1600-XL212, 1600-XL213, 1600-XL214, 1600-XL215, 1600-XL216, 1600-XL217, 1600-XL218, 1600-XL219, 1600-XL220, 1600-XL221, 1600-XL222, 1600-XL223, 1600-XL224, 1600-XL225, 1600-XL226, 1600-XL227, 1600-XL228, 1600-XL229, 1600-XL230, 1600-XL231, 1600-XL232, 1600-XL233, 1600-XL234, 1600-XL235, 1600-XL236, 1600-XL237, 1600-XL238, 1600-XL239, 1600-XL240, 1600-XL241, 1600-XL242, 1600-XL243, 1600-XL244, 1600-XL245, 1600-XL246, 1600-XL247, 1600-XL248, 1600-XL249, 1600-XL250, 1600-XL251, 1600-XL252, 1600-XL253, 1600-XL254, 1600-XL255, 1600-XL256, 1600-XL257, and 1600-XL258

#	Description	Model Number	Spare Part Number
⑦	Memory, SO Dimm (32MB, PC100) (64MB, PC100) (128MB)	CTO 155, CTO All, CTO	122699-001 122700-001 123930-001
⑧	System I/O Boards (Not Shown) 64MB SDRAM	140, 141, 143, 142, 147, 145, 144, 146, 150, 151, CTO	159483-001
	64MB SDRAM 1.5V	152, 153, 155, 154	201805-001
	64MB WL	256, 258	212382-001
	64MB 1.5V WL	255, 257	212383-001
⑨	Modems (not shown) 56K Mini (Int'l)	143, 142, 145, 146, 152, 155, 154, CTO, 258, 257	159502-002
	(US)	140, 147	159502-001
	(AU)	142, 145, 155, CTO	159502-011

maintenance & service guide

Presario 1600XL Series

Model 1600T, 1600-XL140, 1600-XL141, 1600-XL142, 1600-XL143, 1600-XL144, 1600-XL146, 1600-XL147, 1600-XL150, XL156, XL157, XL255, XL256, XL257, and XL258

Display Panel Assembly



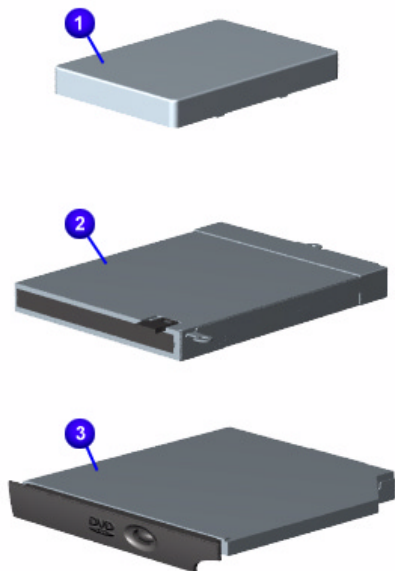
Description	Model Number	Spare Part Number
Display Panel Assemblies		
12.1" TFT/LVDS	140, 141, 142, 146, 152, CTO	170091-001
12.1" TFT/LVDS MD	255	TBD
13.3"	256, 258, 257	201075-001
14.1" TFT/LVDS	143, 147, 145, 144, 145, 146, 150, 151, 153, 155, 154, CTO	159486-001
14.1" TFT/LVDS MD	CTO	201074-001

maintenance & service guide

Presario 1600XL Series

Model 1600T, 1600-XL140, 1600-XL141, 1600-XL142, 1600-XL143, 1600-XL144, 1600-XL146, 1600-XL147, 1600-XL150, 1600-XL156, 1600-XL157, 1600-XL255, 1600-XL256, 1600-XL257, and 1600-XL258

Mass Storage Devices



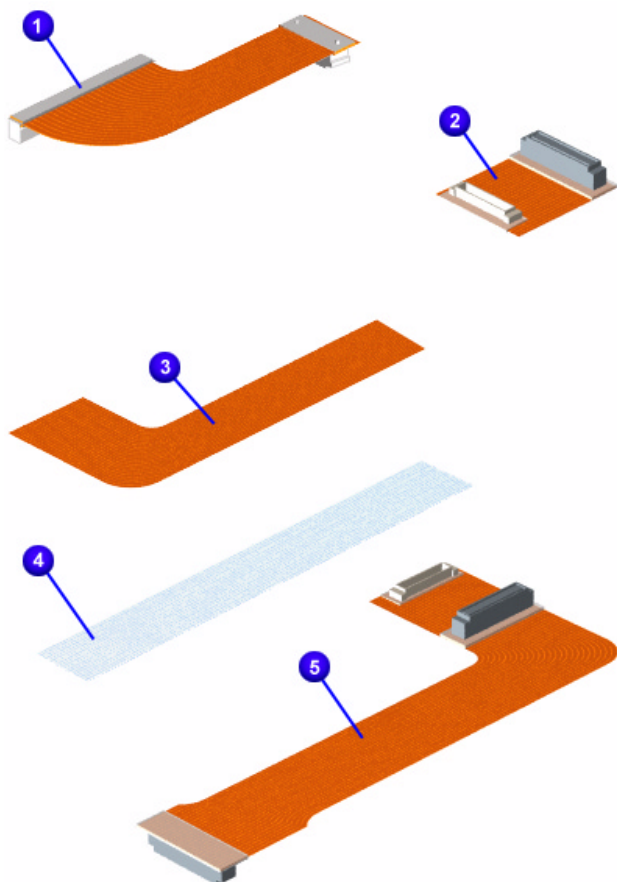
#	Description	Model Number	Spare Part Number
①	Hard Drives 6GB	143, 147, 146, 153, 155, 154, 258, 257, CTO	170087-001
	12GB 18GB	CTO 140, 147, 145, 152, 153, 154 CTO	170086-001 161544-001
②	Diskette Drive 1.44MB	All, CTO	159496-001
③	DVD Drive 6X	256, 255, 258, 257	159488-001
	8X	CTO	201806-001
④	CD-ROM Drive (not shown) (24x)	141, 143, 142, 147, 145, 144, 145, 146, 150, 151, 153, 155, 154, CTO	159487-001
⑤	CD-R/W Drive (not shown)	140, 141, 142, 145, 144, 145, 146, 150, 151, 152, 256, 255, CTO	170085-001

maintenance & service guide

Presario 1600XL Series

Model 1600T, 1600-XL140, 1600-XL141, 1600-XL142, 1600-XL143, 1600-XL144, 1600-XL146, 1600-XL147, 1600-XL150, 1600-XL156, 1600-XL157, 1600-XL255, 1600-XL256, 1600-XL257, and 1600-XL258

Miscellaneous Cables



#	Description	Model Number	Spare Part Number
	Miscellaneous Cable Kit*	All, CTO	159497-001
①	Hard Drive Cable		
②	CD/DVD Drive Cable		
③	Diskette Drive Cable		
④	Status Panel Cable		
⑤	CD (DVD) Cable (not available)		
⑥	Modem Cable (not shown)		
⑦	TouchPad Cable (not shown)		

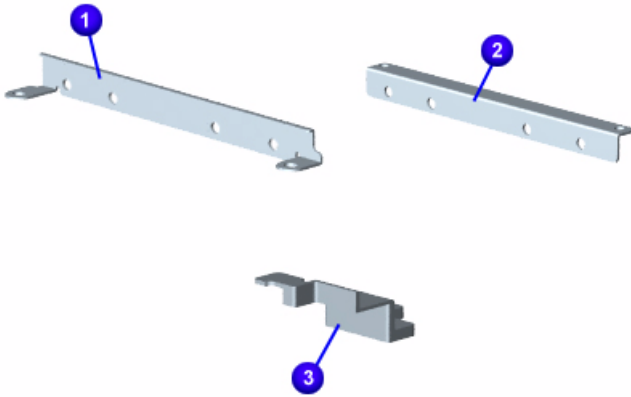
**Kit includes one each of the above items unless otherwise specified.*

maintenance & service guide

Presario 1600XL Series

Model 1600T, 1600-XL140, 1600-XL141, 1600-XL142, 1600-XL143, 1600-XL144, 1600-XL146, 1600-XL147, 1600-XL150 XL156, XL157, XL255, XL256, XL257, and XL258

Miscellaneous Hardware



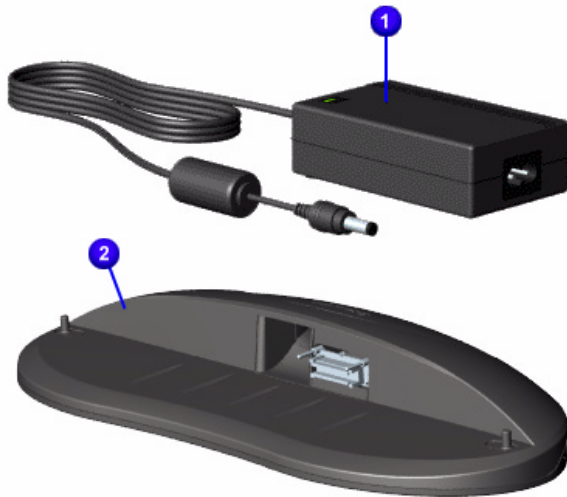
#	Description	Model Number	Spare Part Number
	Miscellaneous Hardware Kit	All, CTO	159499-001
①	Hard Drive Mounting Bracket (right)		
②	Hard Drive Mounting Bracket (left)		
③	Reinforcement Bracket		

maintenance & service guide

Presario 1600XL Series

Model 1600T, 1600-XL140, 1600-XL141, 1600-XL142, 1600-XL143, 1600-XL144, 1600-XL146, 1600-XL147, 1600-XL150, 1600-XL156, 1600-XL157, 1600-XL255, 1600-XL256, 1600-XL257, and 1600-XL258

Miscellaneous Parts



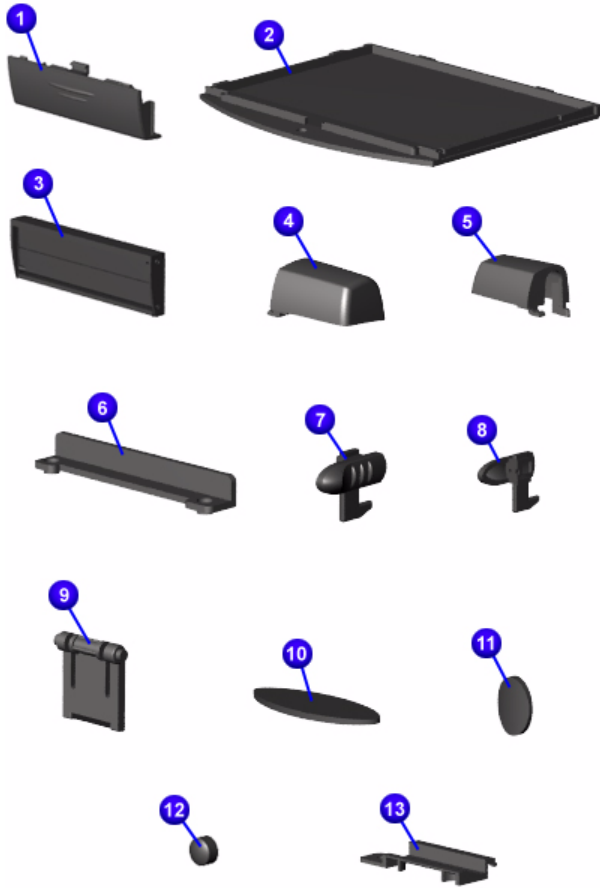
#	Description	Model Number	Spare Part Number
❶	AC Adapter (not shown)	143, 142, 145, 146, 258, 257, CTO	298239-001
	APD	140, 141, 147,	164854-001
	60W Slim 2-Wire	144, 146, 150, 151, 152, 153, 155, 154, 256, 255	180676-001
	60W Slim 3-Wire		180675-001
❷	QuikDock		138167-001
❸	Misc. Screw Kit (not shown)	All, CTO	138161-001
❹	Logo Kit (not shown)	All, CTO	159503-001
❺	Return Kit (not shown)	All, CTO	138166-001
❻	AC Power Cords: (not shown)		
	N. America	143, 146, 258, 257	293831-001
	Japan	140, 147	293831-291
	US (3-Wire)	141, 144, 146, 150, 151, 256, 255	170513-001
	Intl (3-Wire)	141, 144, 146, 150, 151, 256, 255	170513-002
	UK (3-Wire)	144, 146, 150, 256	170513-031
	SWI (3-Wire)	140, 147,	170513-115
	AU (3-Wire)	140, 147	170513-011
	PRC (3-Wire)	143, 142, 145, 146, CTO	170513-AA3

maintenance & service guide

Presario 1600XL Series

Model 1600T, 1600-XL140, 1600-XL141, 1600-XL142, 1600-XL143, 1600-XL144, 1600-XL146, 1600-XL147, 1600-XL150, 1600-XL156, XL157, XL255, XL256, XL257, and XL258

Miscellaneous Plastics



#	Description	Model Number	Spare Part Number
	Miscellaneous Plastics Kit	All, CTO	159498-001
❶	Battery Pack Door		
❷	Memory Module Cover		
❸	PCMCIA Door		
❹	Display Hinge Cover (Right)		
❺	Display Hinge Cover (Left)		
❻	CD Drive Guide		
❼	Latch (Right) 10 each		
❽	Latch (Left) 10 each		
❾	Stand-foot 10 each		
❿	Rubber Foot 10 each		
⓫	Rubber Plug (Side Mount for 14.1" Display) 10 each		
⓬	Rubber Plug (Side Mount for 15.0" Display) 10 each not available		
⓭	Rubber Plug, LCD 10 each		
⓮	Thin Rubber Plug, LCD (14.1" Display) 10 each		
⓯	Cover, LCD FPC		

maintenance & service guide

Presario 1600XL Series

Model 1600T, 1600-XL140, 1600-XL141, 1600-XL142, 1600-XL143, 1600-XL144, 1600-XL146, 1600-XL147, 1600-XL150 XL156, XL157, XL255, XL256, XL257, and XL258

Spare Parts Not Listed

#	Description	Model Number	Spare Part Number
①	Port Replicator	All, CTO	175310-001
②	Voltage Converter 3C	140, 152, CTO	352891-001

Documentation and Software

Description	Spare Part Number
Win98 2nd Edition Manual Kit	146642-001
Win2000 Professional Manual Kit	164286-001
Emergency Recovery CD Kit	157296-002
QuickReference Kit	169300-001
Win98 Reference Guide	117894-003
Features Guide	120223-001
Quick Reference Guide	Information Not Available
QuickFind for Windows*	Information Not Available

**QuickFind is updated monthly. To complete the QuickFind part number, add the suffix from the table below for the desired month. If you do not specify the 3-digit suffix, the default is the current month in which the order is placed.*

QuickFind Part Number Suffix			
Suffix	Month	Suffix	Month
-001	January	-007	July
-002	February	-008	August
-003	March	-009	September
-004	April	-010	October
-005	May	-011	November
-006	June	-012	December

maintenance & service guide

Presario 1600XL Series

Model 1600T, 1600-XL140, 1600-XL141, 1600-XL142, 1600-XL143, 1600-XL144, 1600-XL146, 1600-XL147, 1600-XL150 XL156, XL157, XL255, XL256, XL257, and XL258

Configure To Order Features

Compaq Presario 1600XL Portable Computer Configure To Order Features		
Item	Description	Spare Part Number
Display	12.1" TFT/LVDS	170091-001
	14.1" TFT	159486-001
	14.1" TFT/LVDS, MD	201074-001
Processors	466 MHZ 128K CACHE	174040-001
	500 MHZ 128K CACHE 2V	159484-001
	PIII 500 MHZ 256K CACHE	174041-001
	PIII 600 MHZ 256K CACHE	159485-001
	PIII 650 MHZ 256K CACHE	175308-001
Memory	S.O.DIMM, 32 MB, PC100	122699-001
	S.O.DIMM, 64 MB, PC100	122700-001
	S.O.DIMM, 128 MB, PC100	123930-001
Diskette Drive	Standard 3.5" Floppy	159496-001
CD-Rom	24X CD-ROM Drive	159487-001
	8X DVD Drive	201806-001
	CD-RW Drive	170085-001
Hard Drive	6.0-GB	170087-001
	12.0-GB	170086-001
	18.0-GB	161544-001
System Units	JP Keyboard	170090-291
	Palmrest w/TouchPad Button Board	159490-001
	Enclosure Base	159491-001
	Upper CPU Cover 1000	159492-001
	Button Board Cover 1000	159493-002
	Li-ION Enhanced Battery Pack	138184-001
	Speaker w/ Enclosure	159494-001

maintenance & service guide

Presario 1600XL Series

Model 1600T, 1600-XL140, 1600-XL141, 1600-XL142, 1600-XL143, 1600-XL144, 1600-XL146, 1600-XL147, 1600-XL150 XL156, XL157, XL255, XL256, XL257, and XL258

Compaq Presario 1600XL Portable Computer Configure To Order Features		
Item	Description	Spare Part Number
System Boards	LCD w/ Internet Switch	159495-001
	LCD Indicator Module	138187-001
	LCD Indicator Module II	177457-001
	Fan Assembly	159500-001
	Heat Spreader	159501-001
Miscellaneous Kits	Cables	159497-001
	Plastics	159498-001
	Hardware	159499-001
	Screws	138161-001
Modems	56K Mini 3-Int'l	
	56K Mini 3-AU	
Miscellaneous Parts	AC Power Cord PRC 3-Wire	170513-AA3
	AC Adapter	298239-001
	AC Adapter 60W Slim-3 Wire	180675-001
	Logo Kit	159503-001
	Return Kit	138166-001
	Port Replicator	175310-001