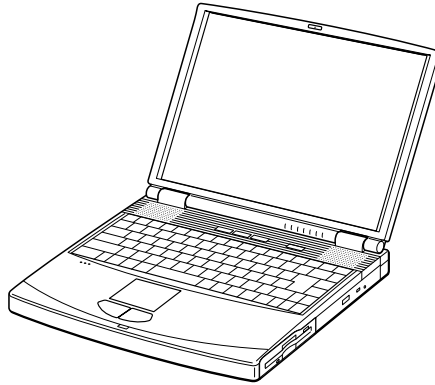


PCG-FX220/FX220K/FX240/FX240K/ PCG-FX250/FX250K/FX270/FX270K

SERVICE MANUAL

US Model
Canadian Model



Illust : PCG-FX270K



Confidential

NOTEBOOK COMPUTER

SONY®

Information in this document is subject to change without notice.

Sony and VAIO are trademarks of Sony. Intel logo and Intel Inside logo are registered trademarks of Intel Corporation. Pentium MMX is a trademark of Intel Corporation. Microsoft, MS-DOS, Windows, the Windows 95 and Windows 98 logo are trademarks of Microsoft Corporation.

All other trademarks are trademarks or registered trademarks of their respective owners. Other trademarks and trade names may be used in this document to refer to the entities claiming the marks and names or their products. Sony Corporation disclaims any proprietary interest in trademarks and trade names other than its own.

Caution Markings for Lithium/Ion Battery - The following or similar texts shall be provided on battery pack of equipment or in both the operating and the service instructions.

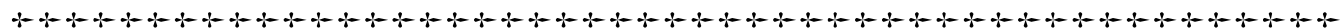
CAUTION: Danger of explosion if battery is incorrectly replaced. Replace only with the same or equivalent type recommended by the manufacturer. Discard used batteries according to the manufacturer's instructions.

CAUTION: The battery pack used in this device may present a fire or chemical burn hazard if mistreated. Do not disassemble, heat above 100°C (212°F) or incinerate.

Dispose of used battery promptly.
Keep away from children.

CAUTION: Changing the back up battery.

- Overcharging, short circuiting, reverse charging, mutilation or incineration of the cells must be avoided to prevent one or more of the following occurrences; release of toxic materials, release of hydrogen and/or oxygen gas, rise in surface temperature.
- If a cell has leaked or vented, it should be replaced immediately while avoiding to touch it without any protection.



Service and Inspection Precautions

1. Obey precautionary markings and instructions

Labels and stamps on the cabinet, chassis, and components identify areas requiring special precautions. Be sure to observe these precautions, as well as all precautions listed in the operating manual and other associated documents.

2. Use designated parts only

The set's components possess important safety characteristics, such as noncombustibility and the ability to tolerate large voltages. Be sure that replacement parts possess the same safety characteristics as the originals. Also remember that the Δ mark, which appears in circuit diagrams and parts lists, denotes components that have particularly important safety functions; be extra sure to use only the designated components.

3. Always follow the original design when mounting parts and routing wires

The original layout includes various safety features, such as inclusion of insulating materials (tubes and tape) and the mounting of parts above the printer board. In addition, internal wiring has been routed and clamped so as to keep it away from hot or high-voltage parts. When mounting parts or routing wires, therefore, be sure to duplicate the original layout.

4. Inspect after completing service

After servicing, inspect to make sure that all screws, components, and wiring have been returned to their original condition. Also check the area around the repair location to ensure that repair work has caused no damage, and confirm safety.

5. When replacing chip components...

Never reuse components. Also remember that the negative side of tantalum capacitors is easily damaged by heat.

6. When handling flexible print boards...

- The temperature of the soldering-iron tip should be about 270C.
- Do not apply the tip more than three times to the same pattern.
- Handle patterns with care; never apply force.

Caution: Remember that hard disk drives are easily damaged by vibration. Always handle with care.

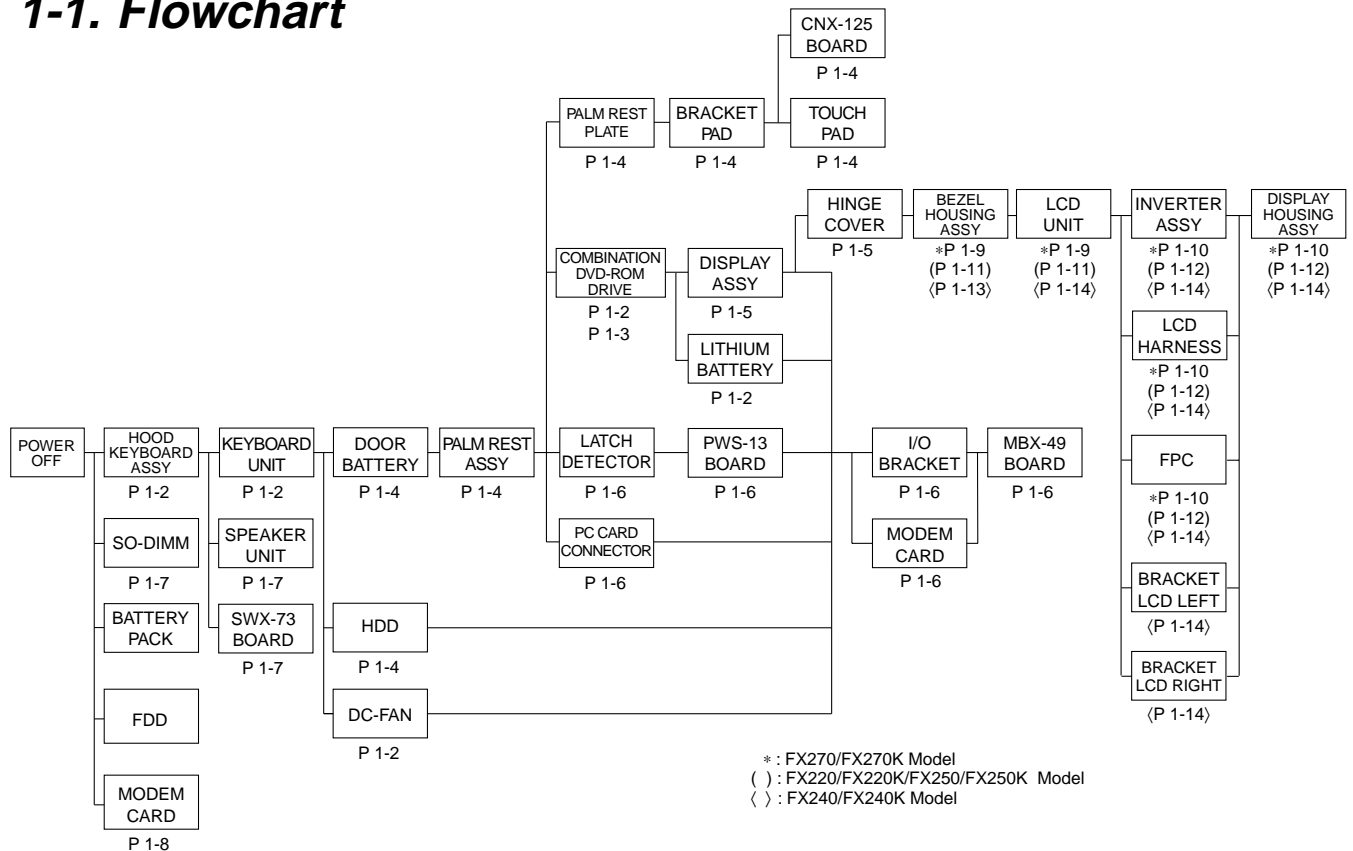
ATTENTION AU COMPOSANT AYANT RAPPORT À LA SÉCURITÉ!

LES COMPOSANTS IDENTIFÉS PAR UNE MARQUE Δ SUR LES DIAGRAMMES SCHÉMATIQUES ET LA LISTE DES PIÈCES SONT CRITIQUES POUR LA SÉCURITÉ DE FONCTIONNEMENT. NE REMPLACER CES COMPOSANTS QUE PAR DES PIÈSES SONY DONT LES NUMÉROS SONT DONNÉS DANS CE MANUEL OU DANS LES SUPPLÉMENTS PUBLIÉS PAR SONY.

TABLE OF CONTENTS

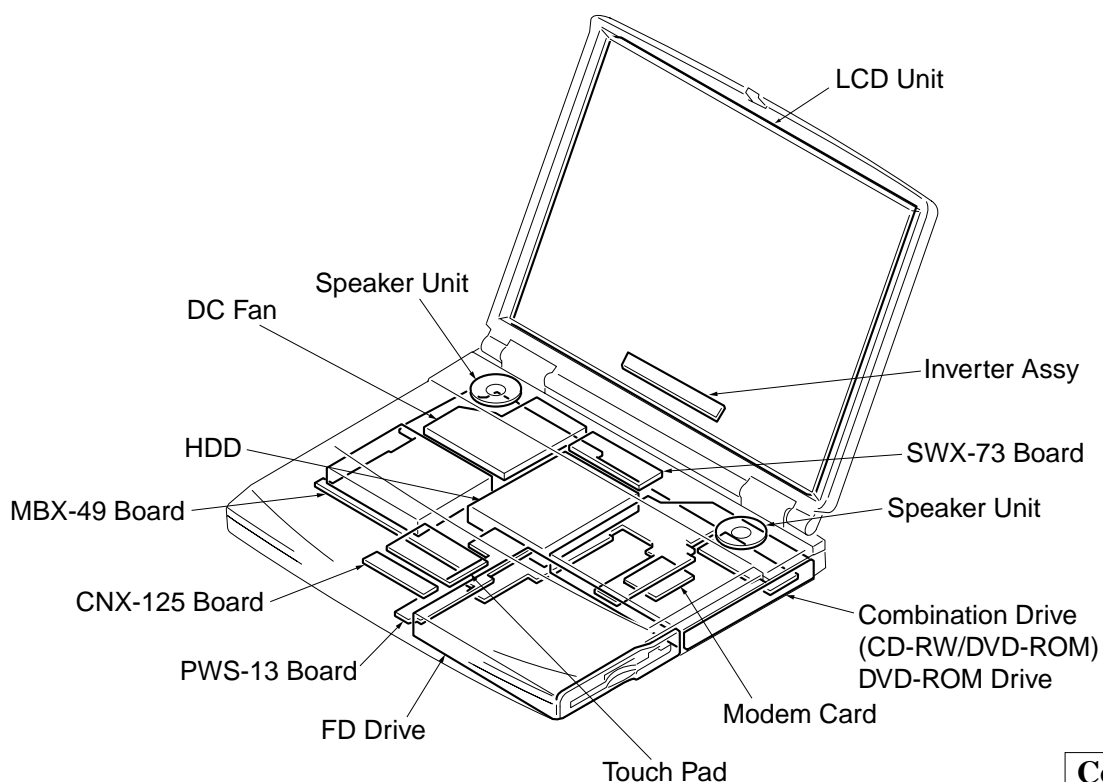
<u>Section</u>	<u>Title</u>	<u>Page</u>	<u>Section</u>	<u>Title</u>	<u>Page</u>
CHAPTER 1. REMOVAL			CHAPTER 2. SELF DIAGNOSTICS 2-1 (to 2-1)		
1-1.	Flowchart	1-1	CHAPTER 3. BLOCK DIAGRAM 3-1 (to 3-2)		
1-2.	Main Electrical Parts Location Diagram	1-1	CHAPTER 4. FRAME HARNESS DIAGRAM 4-1 (to 4-2)		
1-3.	Removal	1-2	CHAPTER 5. EXPLODED VIEWS AND PARTS LIST 5-1		
1.	Hood Keyboard Assy, Keyboard Unit	1-2	5-1.	Main Section	5-3
2.	DC-Fan, Lithium Battery, Combination Drive, DVD-ROM Drive	1-2	5-2.	LCD Section (FX270/FX270K Model) – Made by HI –	5-7
3.	Combination Drive, DVD-ROM Drive	1-3	5-3.	LCD Section (FX220/FX220K/FX250/FX250K Model) – Made by HI –	5-9
1.	FX240/FX240K/FX250/FX250K/ FX270/FX270K Model	1-3	5-4.	LCD Section (FX240/FX240K Model) – Made by HI –	5-11
2.	FX220/FX220K Model	1-3	5-5.	Connector Section	5-13 (to 5-14)
4.	HDD, Door Battery	1-4	• Abbreviations UC : US model / Canadian model		
5.	Palm Rest Assy, Touch Pad, CNX-125 Board, Palm Rest Plate, Bracket Pad	1-4			
6.	Display Assy, Hinge Cover	1-5			
7.	PWS-13 Board, Latch Detector	1-6			
8.	PC Card Connector, Modem Card, MBX-49 Board, I/O Bracket	1-6			
9.	Speaker Unit, SWX-73 Board	1-7			
10.	SO-DIMM	1-7			
11.	Modem Card (Removing from the bottom)	1-8			
12.	LCD Section (FX270/FX270K Model) – Made by HI –	1-9			
1.	Bezel Housing Assy, LCD unit (15 inch)	1-9			
2.	Inverter Assy, LCD Harness, FPC, Display Hpusing Assy	1-10			
13.	LCD Section (FX220/FX220K/FX250/FX250K Model) – Made by HI –	1-11			
1.	Bezel Housing Assy, LCD unit (15 inch)	1-11			
2.	Inverter Assy, LCD Harness, FPC, Display Hpusing Assy	1-12			
14.	LCD Section (FX240/FX240K Model) – Made by HI –	1-13			
1.	Bezel Housing Assy (14 inch)	1-13			
2.	Bracket LCD Left, Bracket LCD Right, LCD Unit (14 inch)	1-14			
3.	FPC, Inverter Assy, Display Housing Assy, LCD Harness	1-14			
1-4.	Replacing the CPU	1-15			
1.	Socket type 1,2	1-15			
1.	Removing the CPU	1-15			
2.	Installing the CPU	1-15			
2.	Socket type 3	1-16			
1.	Removing the CPU	1-16			
2.	Installing the CPU	1-16			
1-5.	Replacing Various Connector on the MBX-49 Board ...	1-17			
1.	Removing the I/O Bracket	1-17			
2.	Removing the Various Connectors	1-17			
1-6.	DIP Switch Setting of the MBX-49 Board	1-18 (to 1-18)			

1-1. Flowchart



- P XX means pages that appears in this manual.
- Remember that hard disk drives are easily damaged by vibration. Always handle with care.

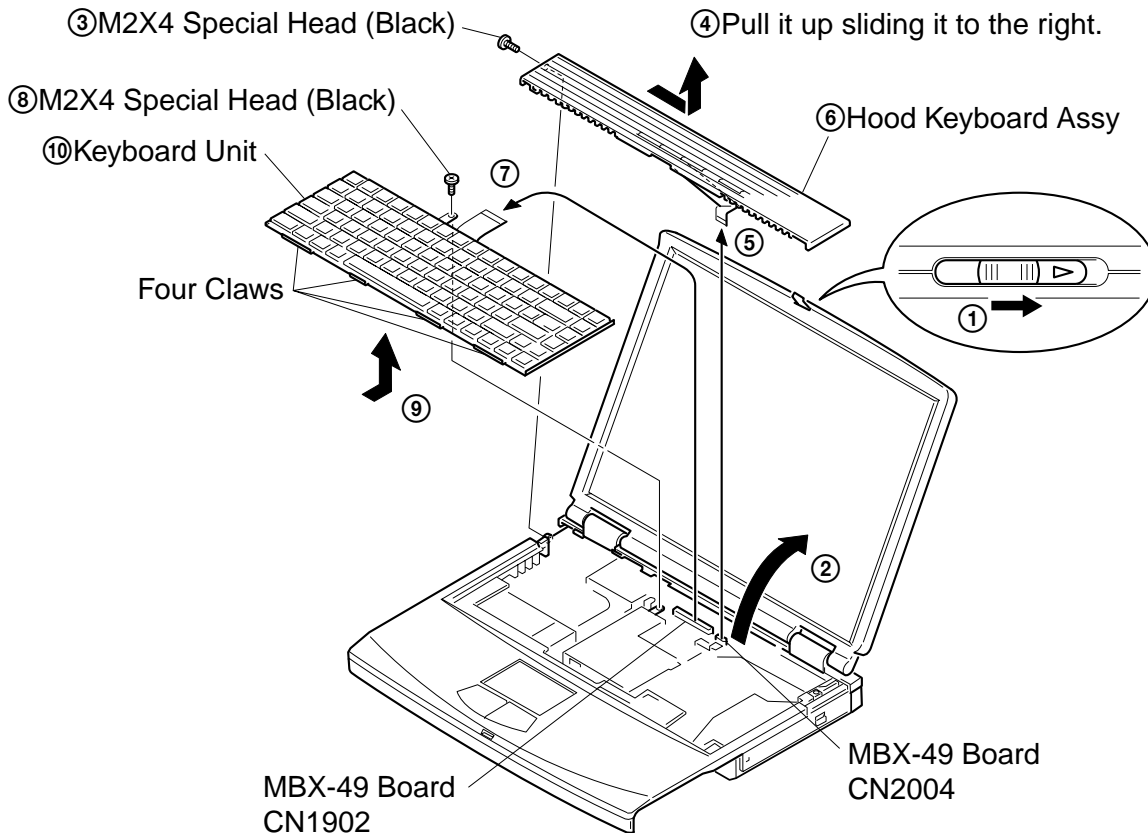
1-2. Main Electrical Parts Location Diagram



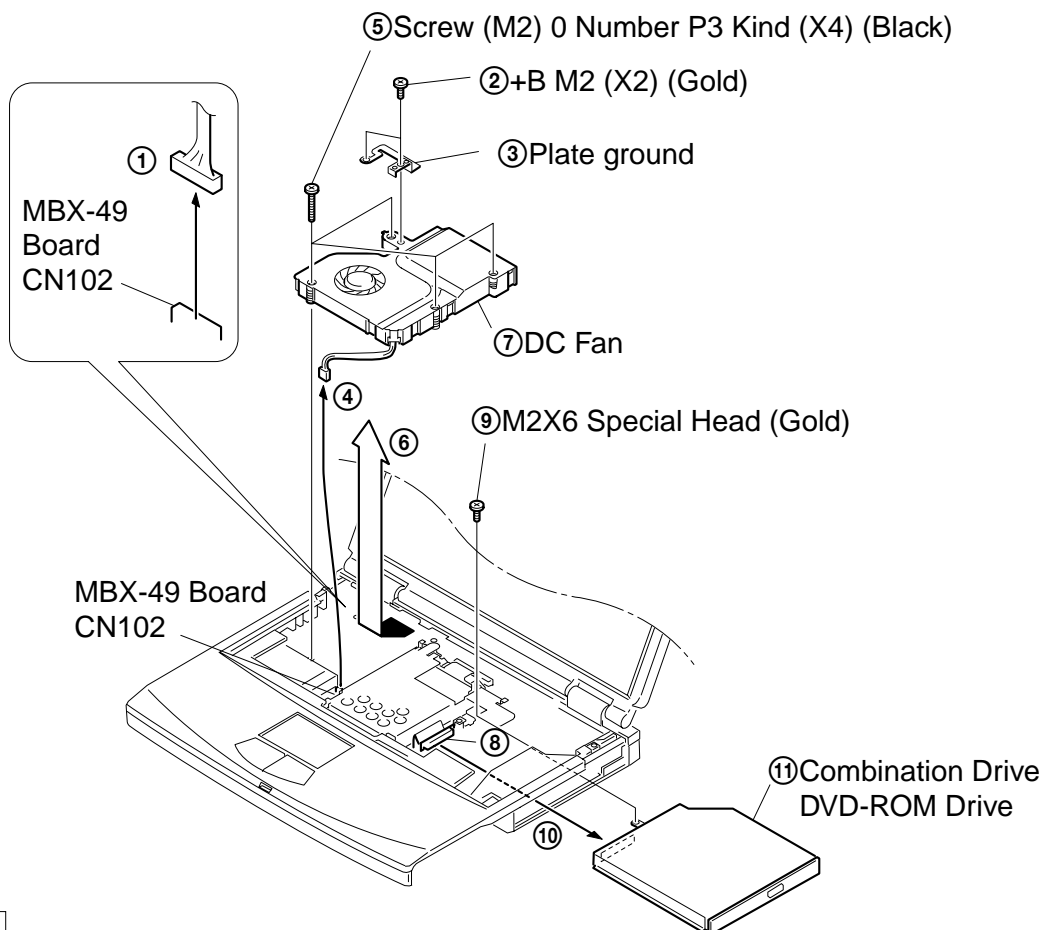
Confidential

1-3. Removal

1. Hood Keyboard Assy, Keyboard Unit



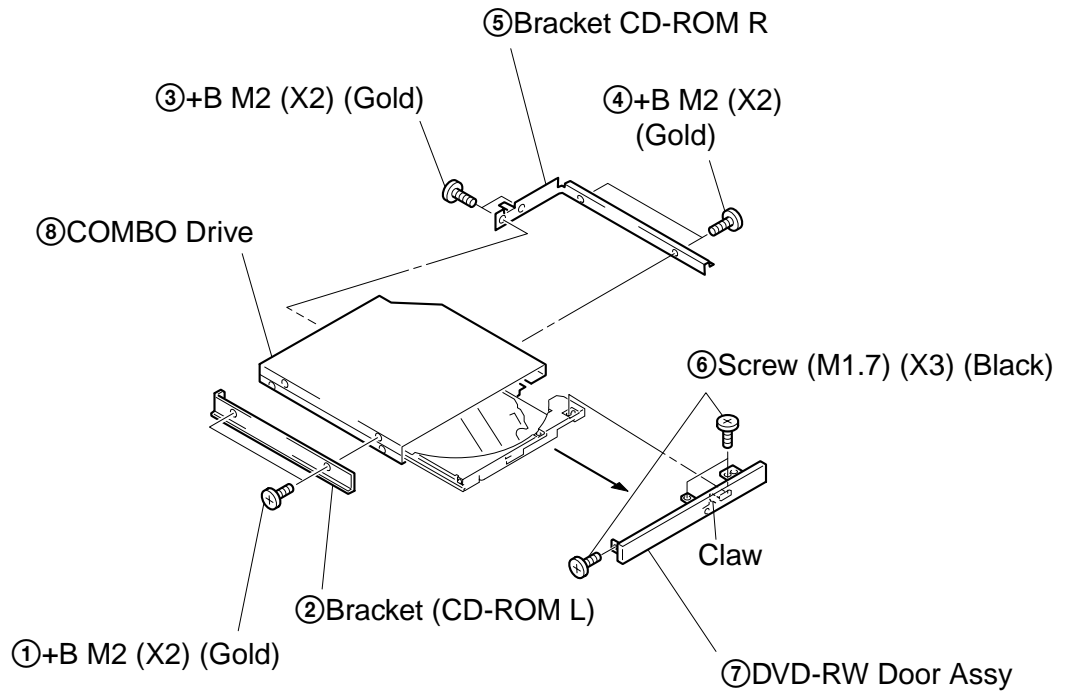
2. DC-Fan, Lithium Battery, Combination Drive, DVD-ROM Drive



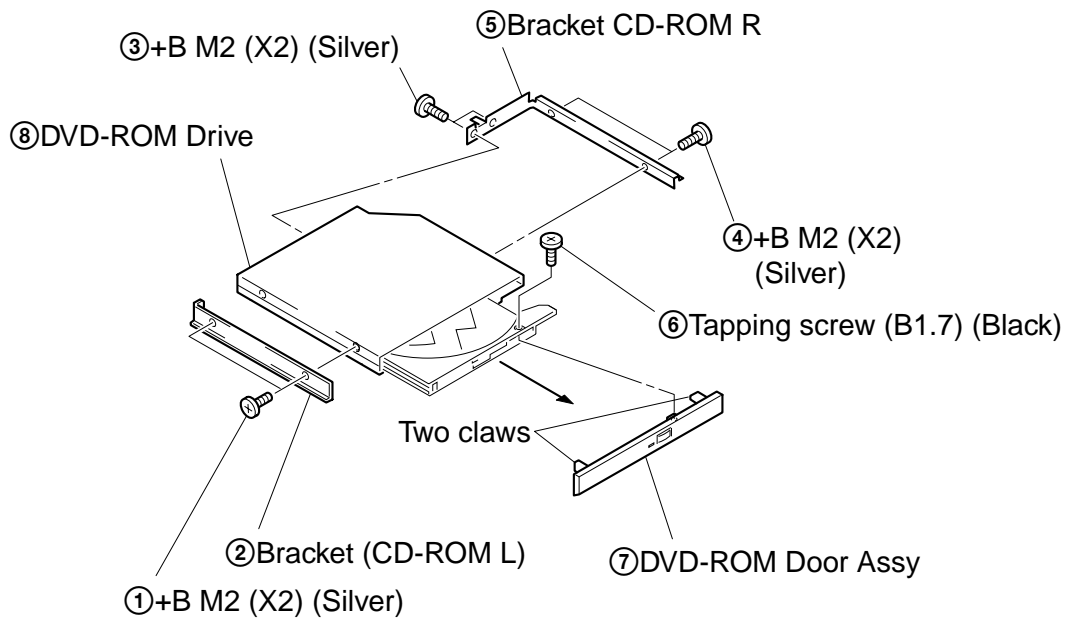
Confidential

3. Combination Drive, DVD-ROM Drive

1. FX240/FX240K/FX250/FX250K/FX270/FX270K Model

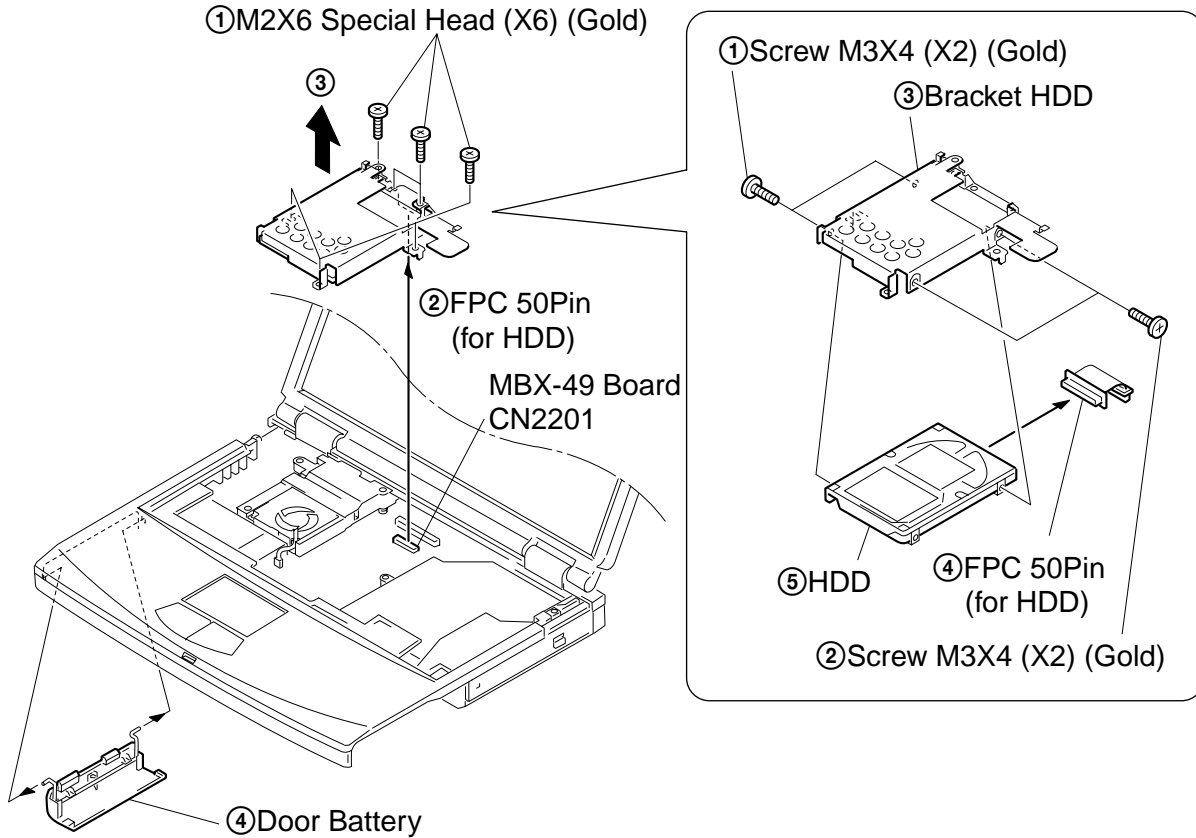


2. FX220/FX220K Model

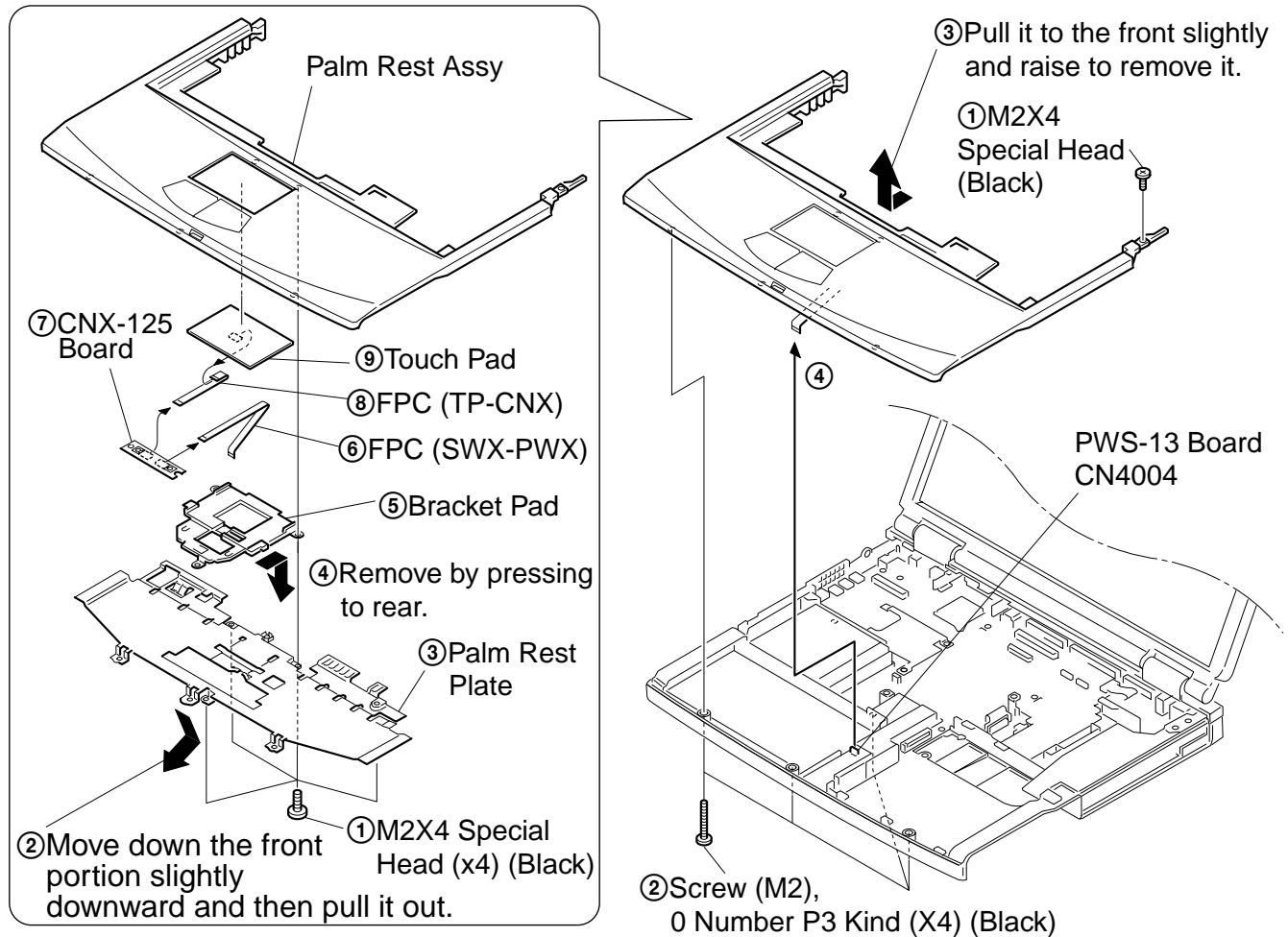


Confidential

4. HDD, Door Battery

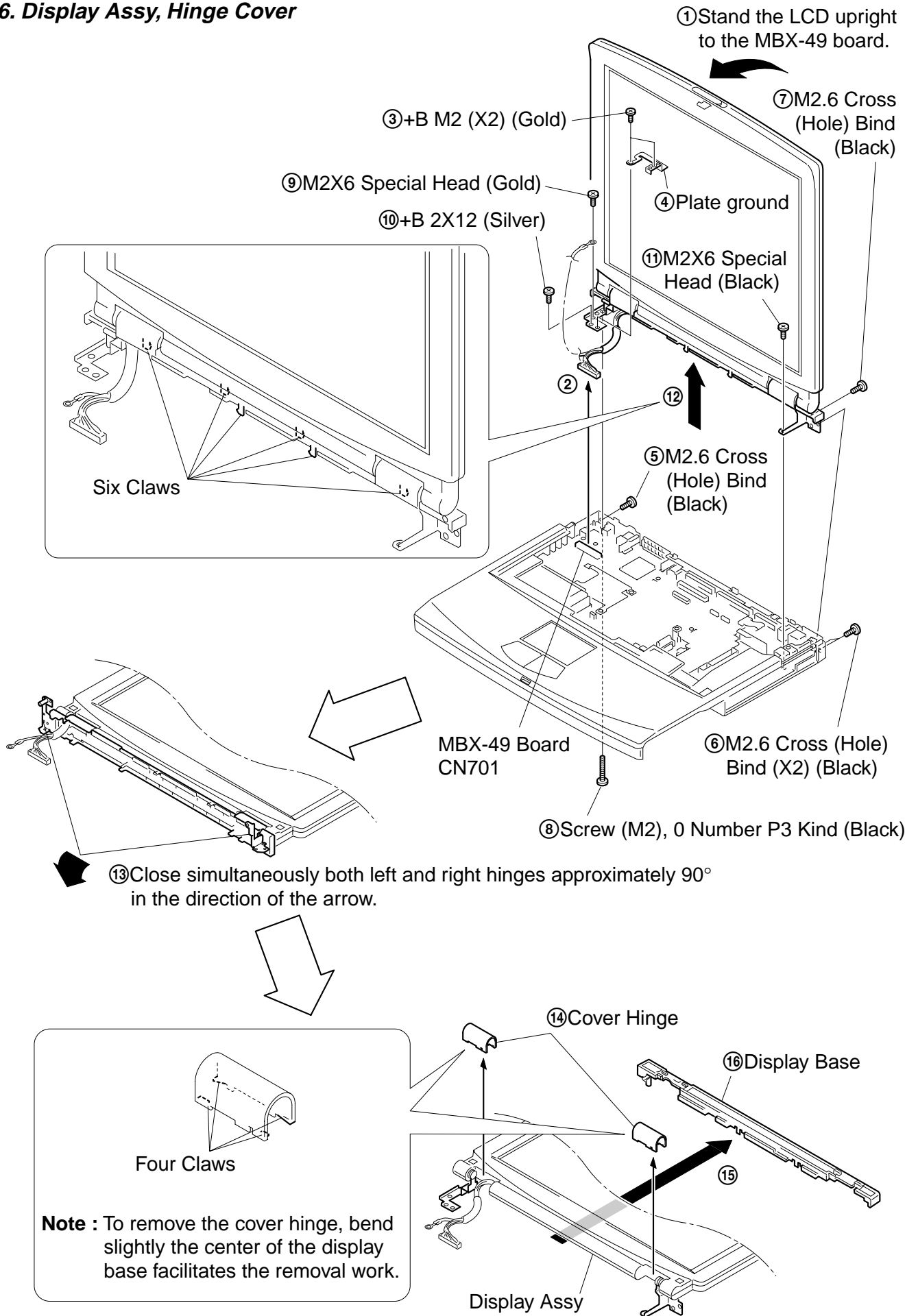


5. Palm Rest Assy, Touch Pad, CNX-125 Board, Palm Rest Plate, Bracket Pad



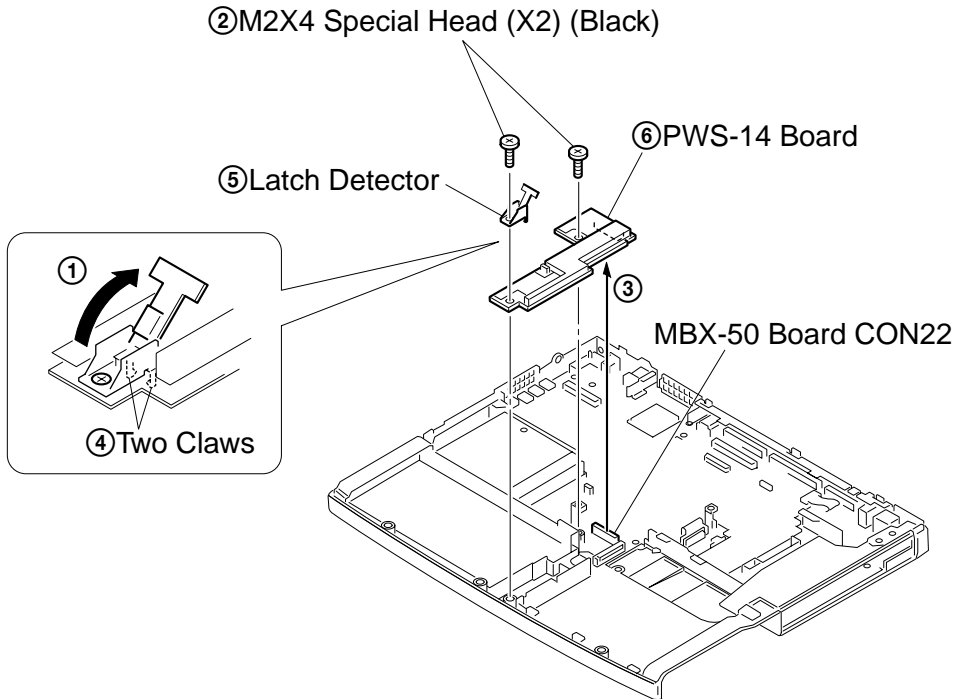
Confidential

6. Display Assy, Hinge Cover

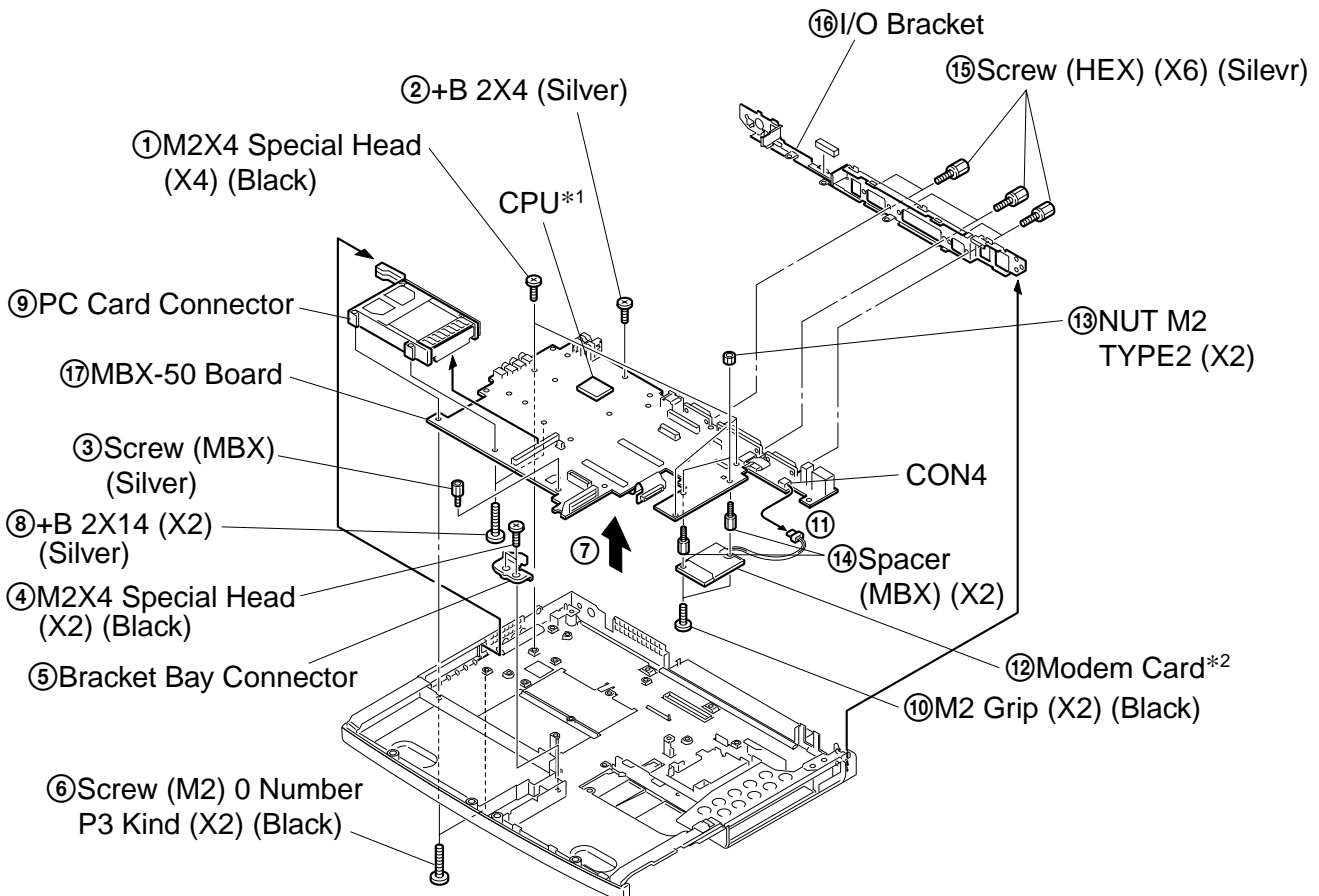


Confidential

7. PWS-13 Board, Latch Detector



8. PC Card Connector, Modem Card, MBX-49 Board, I/O Bracket



*1 When removing the CPU, refer to “ 1-4. Replacing the CPU ”.

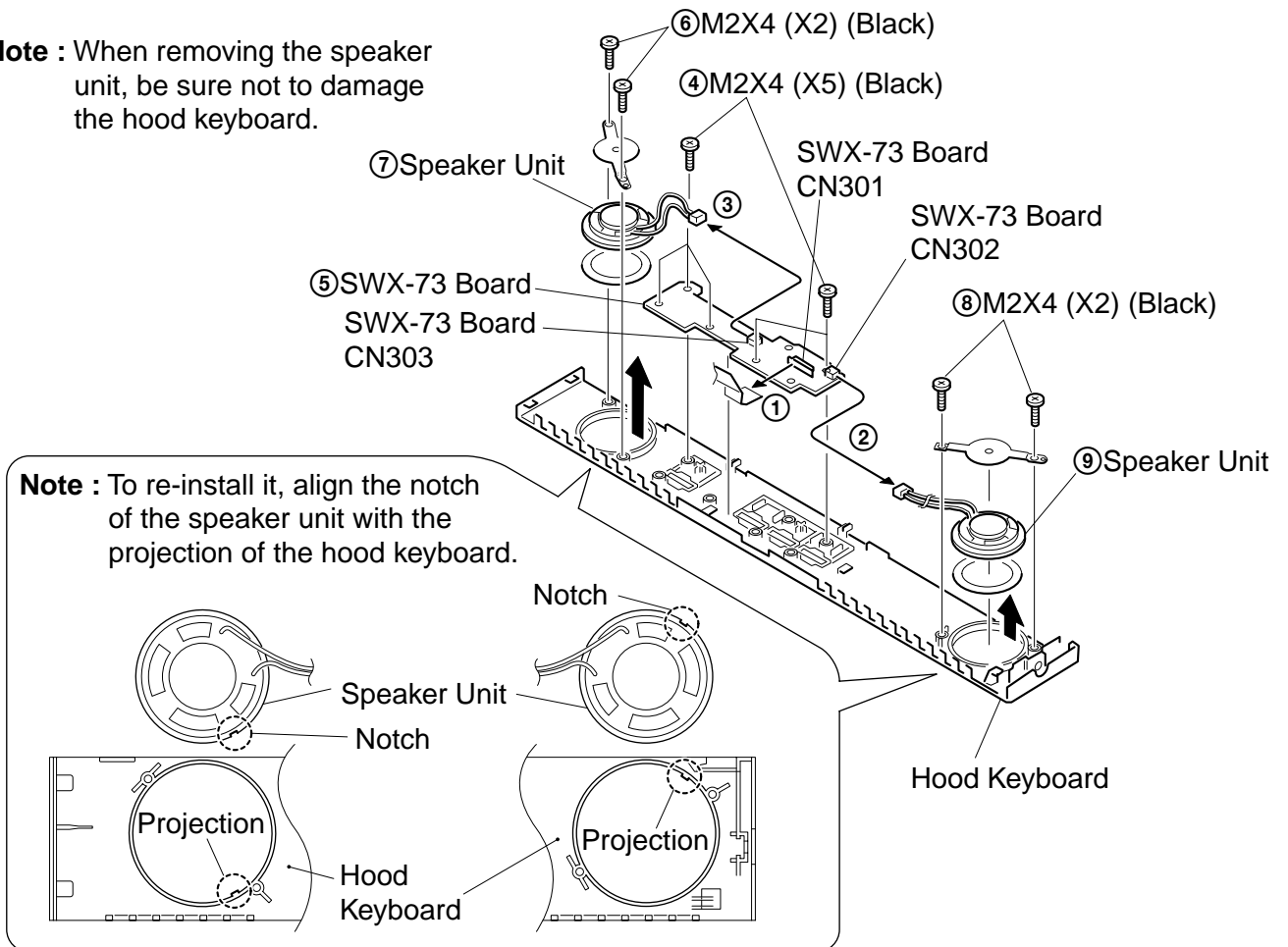
*2 Modem card can be removed from the bottom.

Refer to the subsequent paragraph “ 11. Modem card ” for more details.

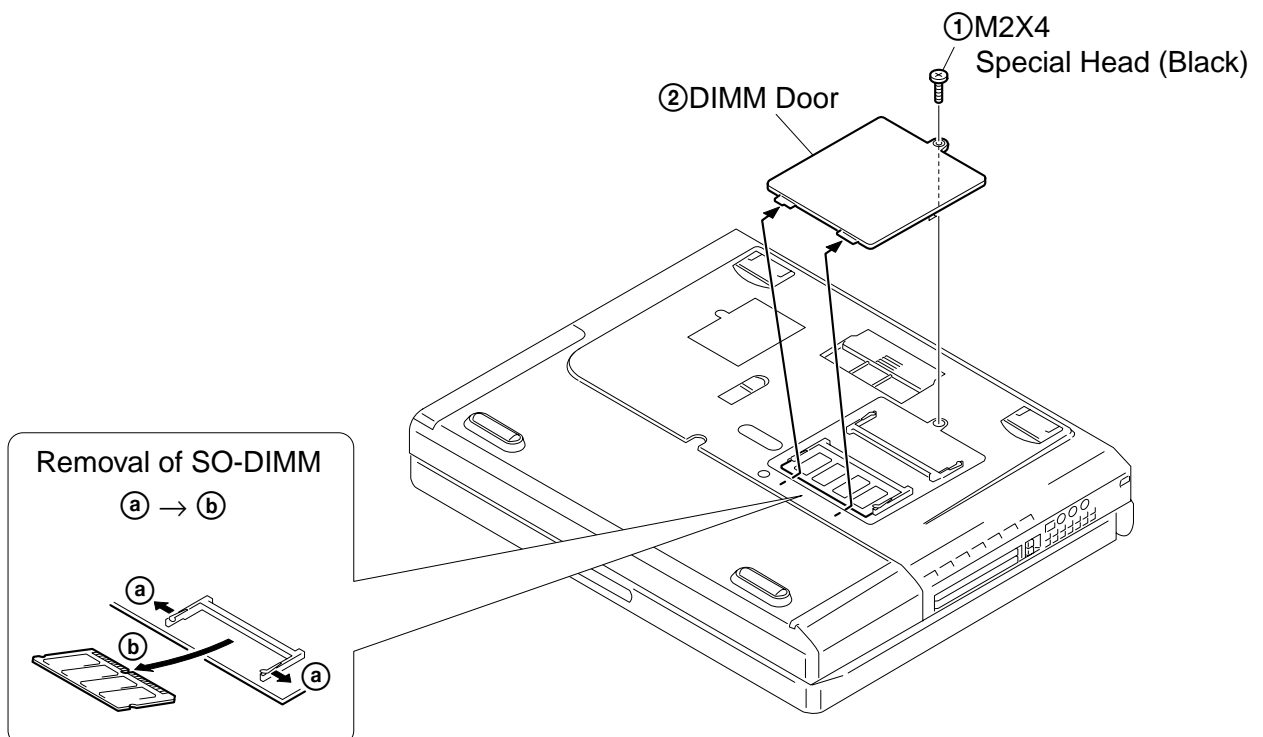
Confidential

9. Speaker Unit, SWX-73 Board

Note : When removing the speaker unit, be sure not to damage the hood keyboard.

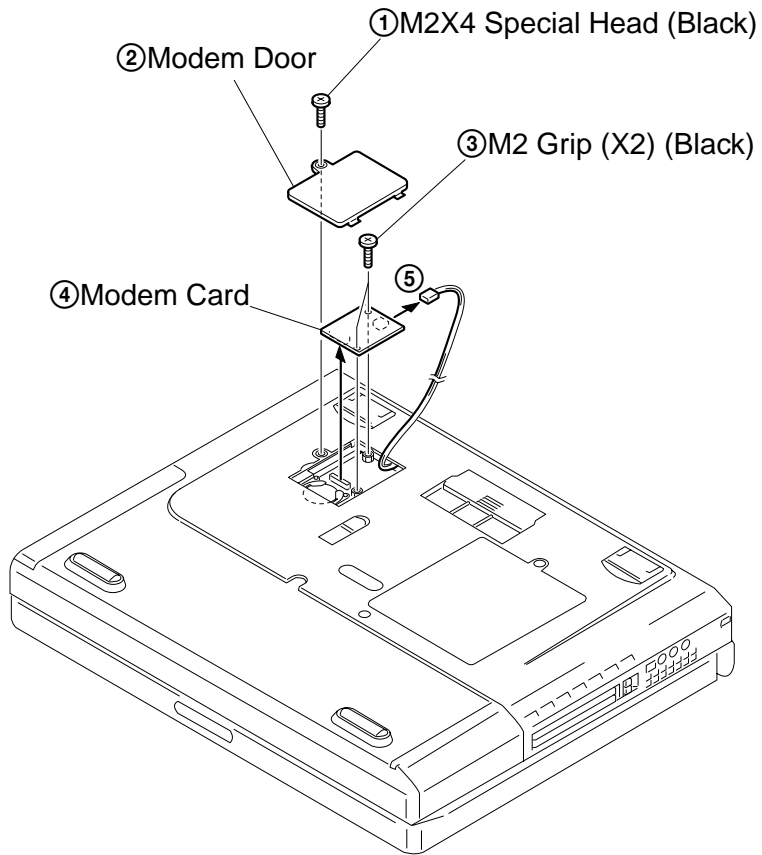


10. SO-DIMM



Confidential

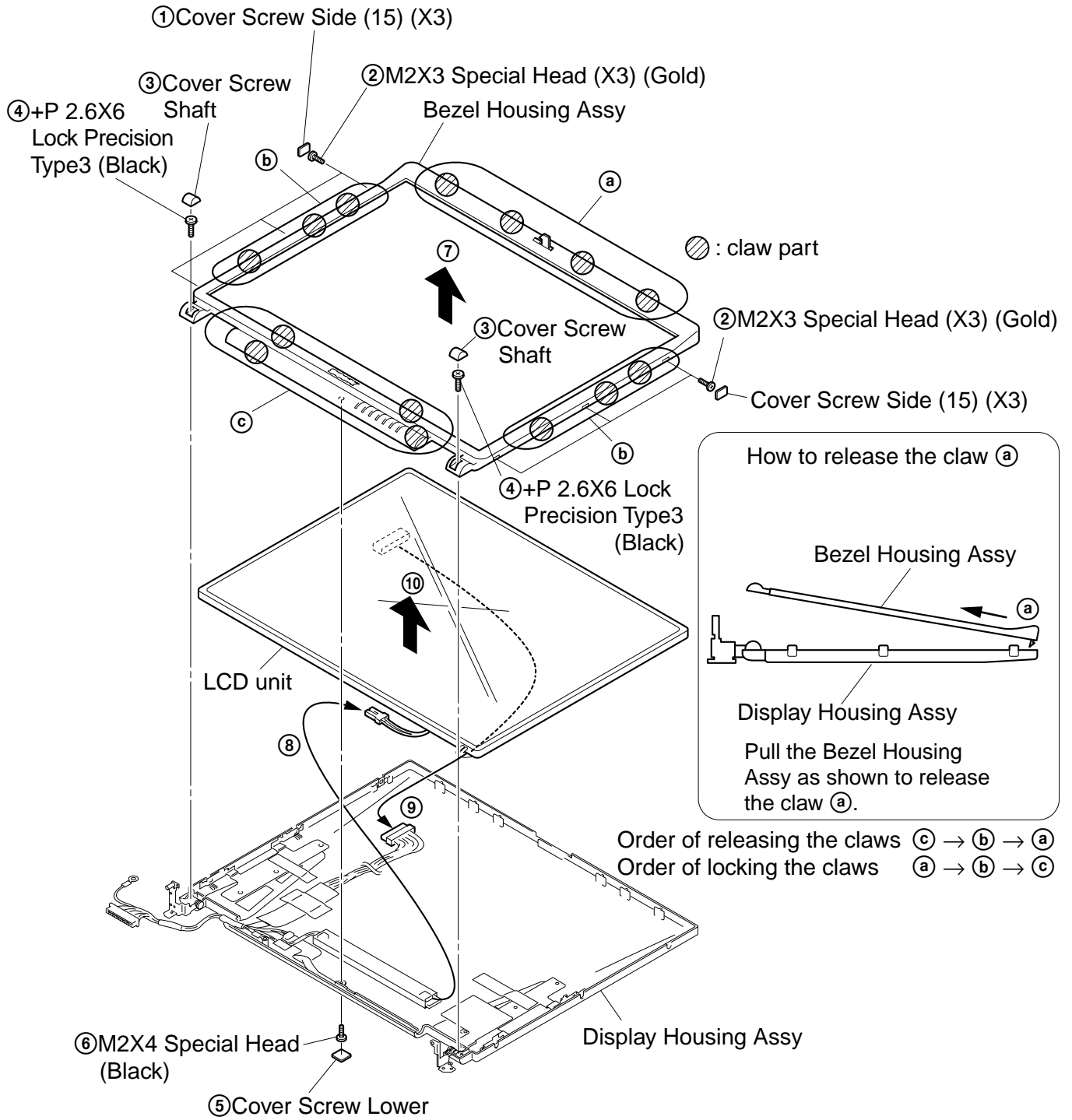
11. Modem Card (Removing from the bottom)



Confidential

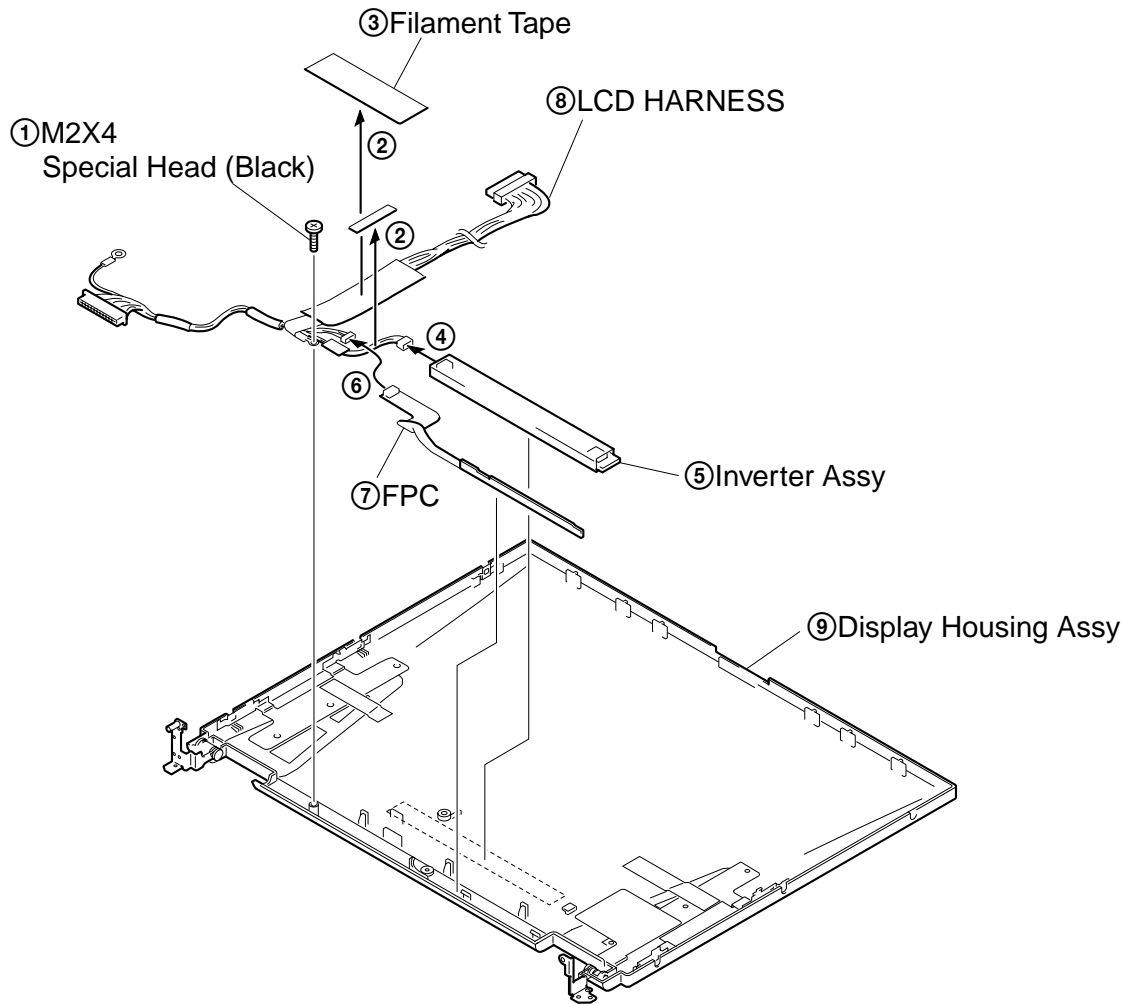
12. LCD Section (FX270/FX270K Model) – Made by HI –

1. Bezel Housing Assy, LCD unit (15 inch)



Confidential

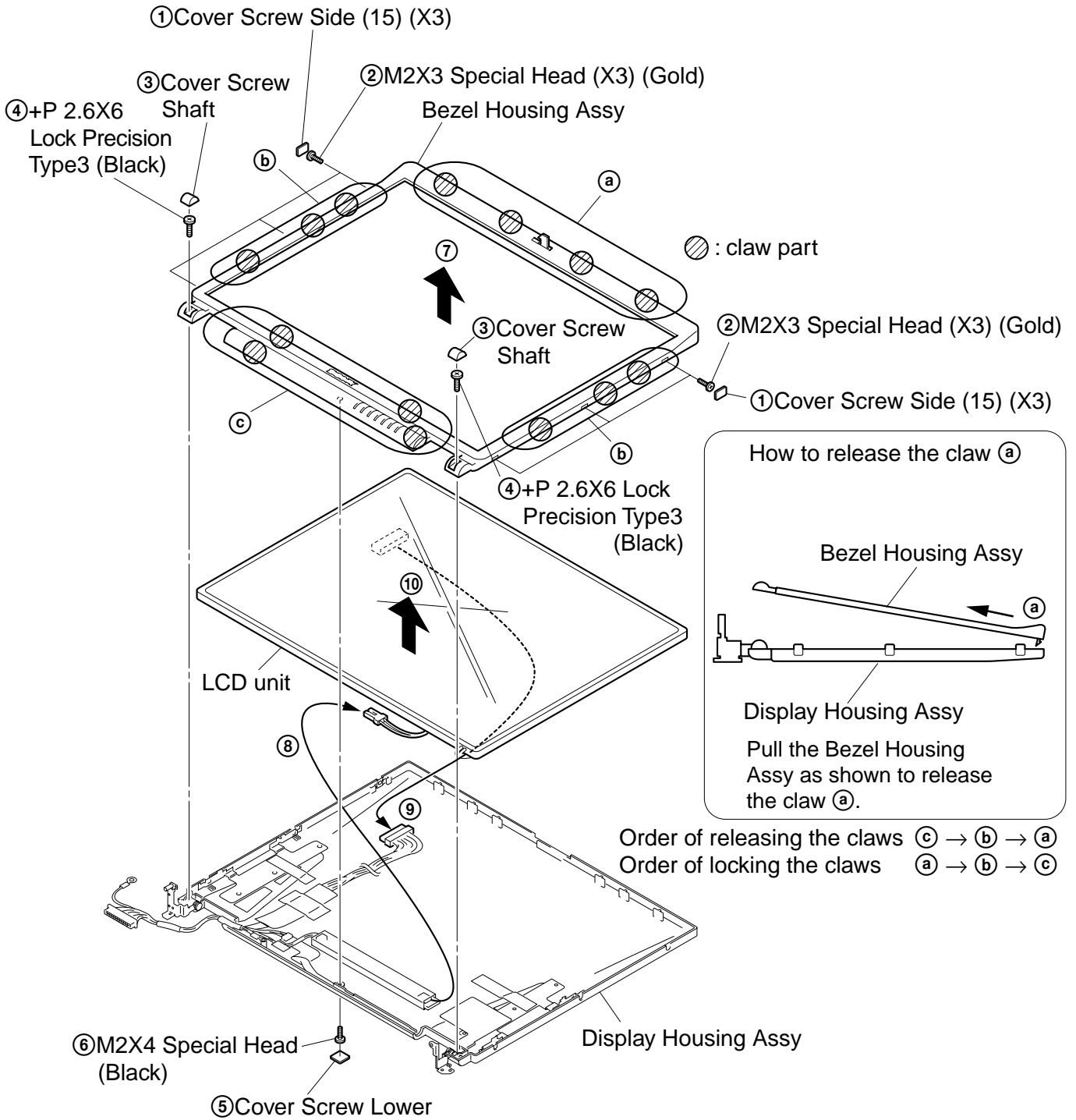
2. Inverter Assy, LCD Harness, FPC, Display Hpusing Assy



Confidential

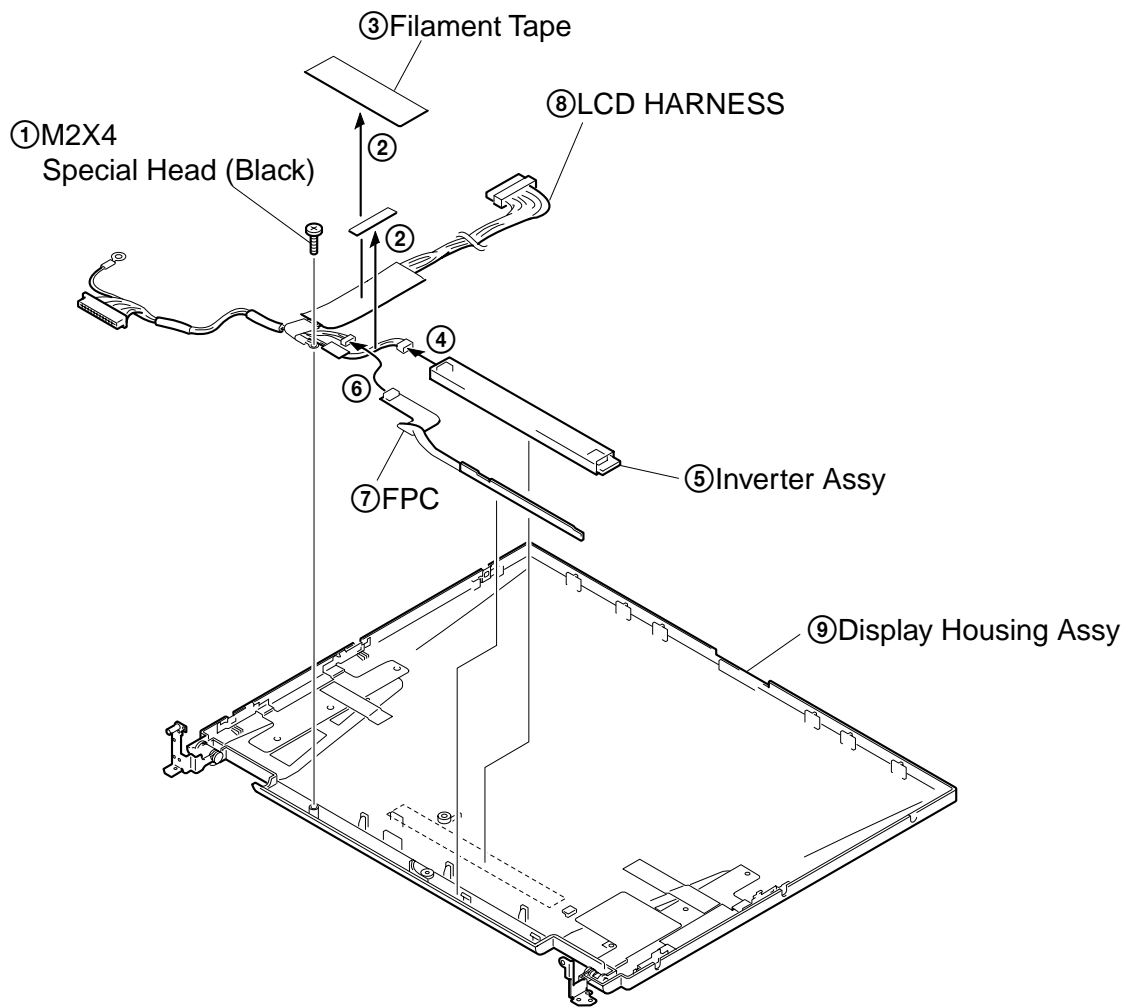
13. LCD Section (FX220/FX220K/FX250/FX250K Model) – Made by HI –

1. Bezel Housing Assy, LCD unit (15 inch)



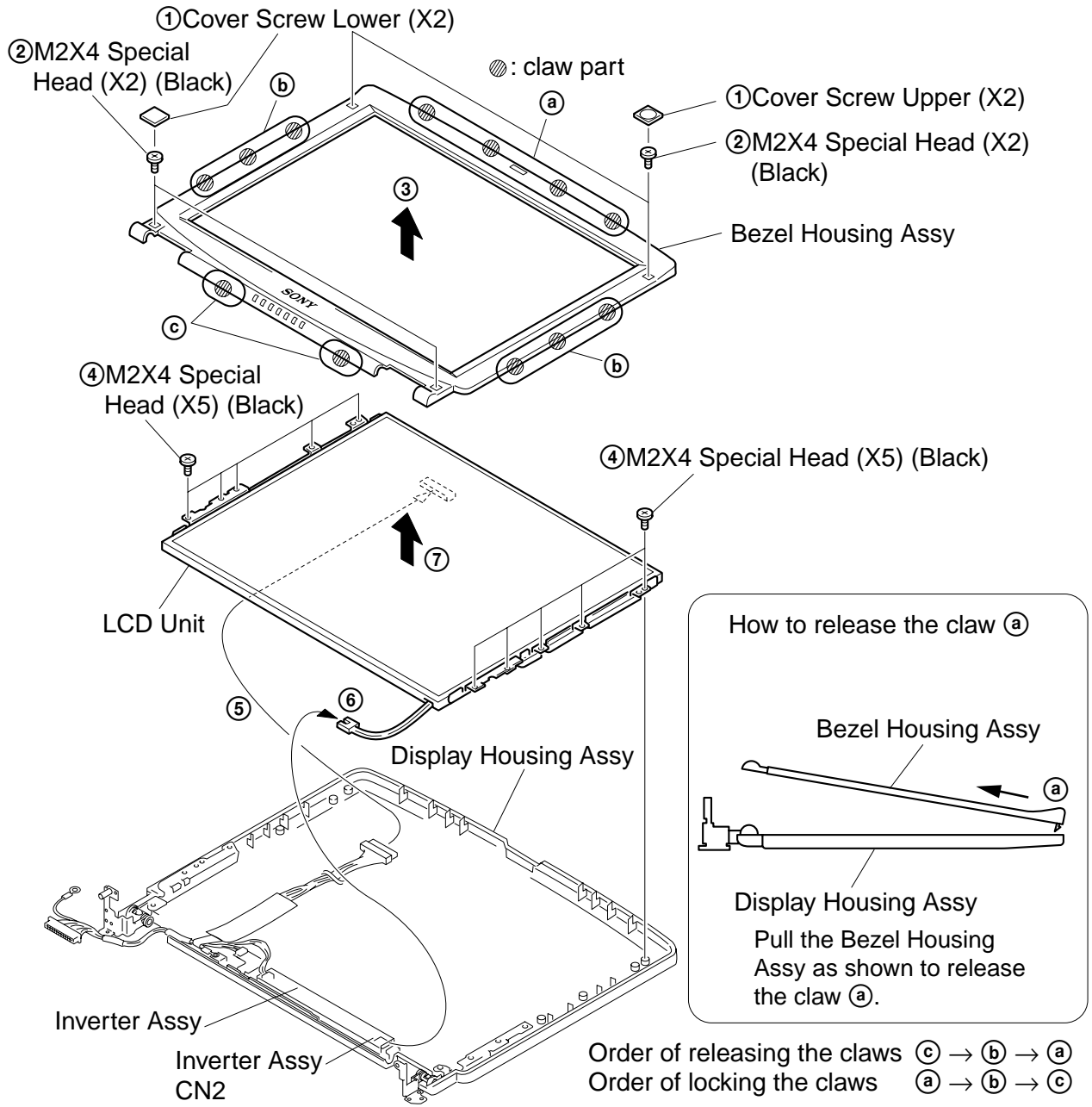
Confidential

2. Inverter Assy, LCD Harness, FPC, Display Hpusing Assy



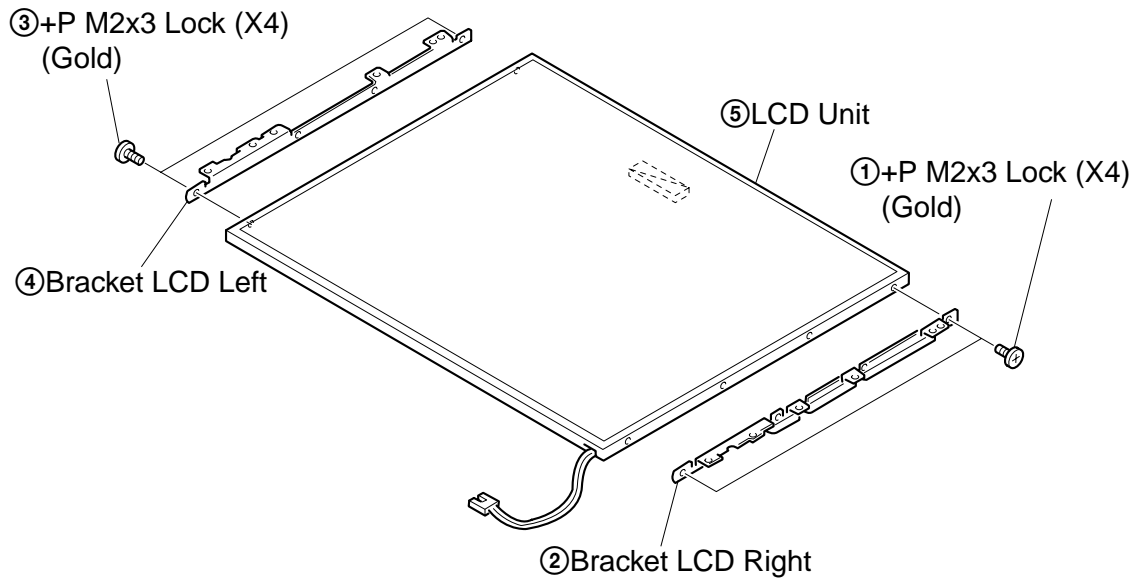
Confidential

14. LCD Section (FX240/FX240K Model) – Made by HI –
1. Bezel Housing Assy (14 inch)

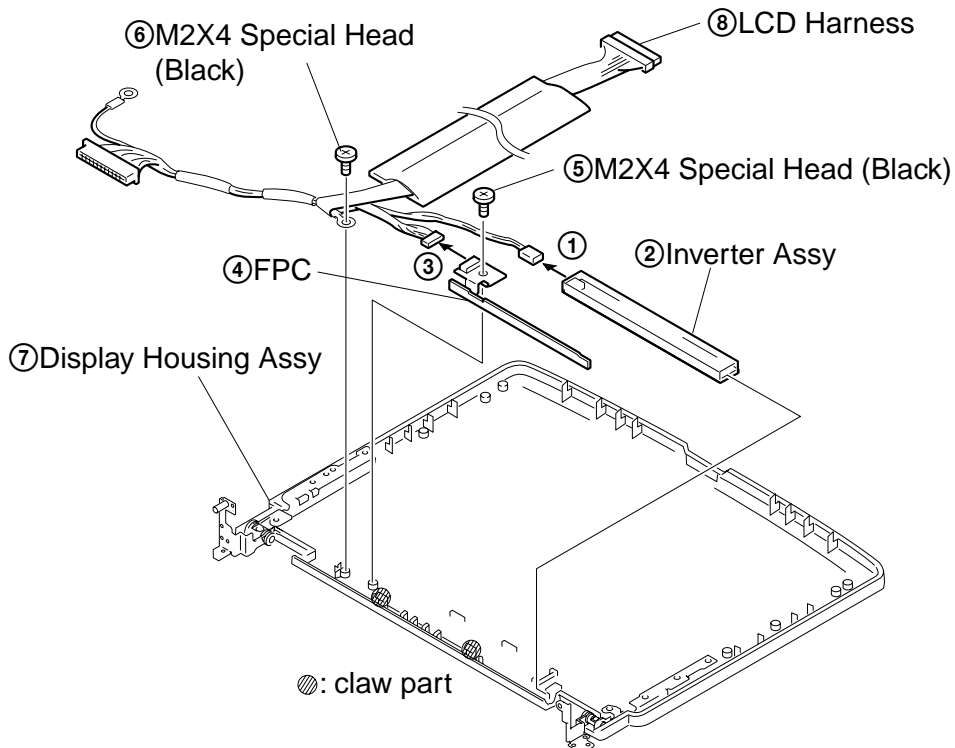


Confidential

2. Bracket LCD Left, Bracket LCD Right, LCD Unit (14 inch)



3. FPC, Inverter Assy, Display Housing Assy, LCD Harness



Confidential

1-4.Replacing the CPU

NOTE:

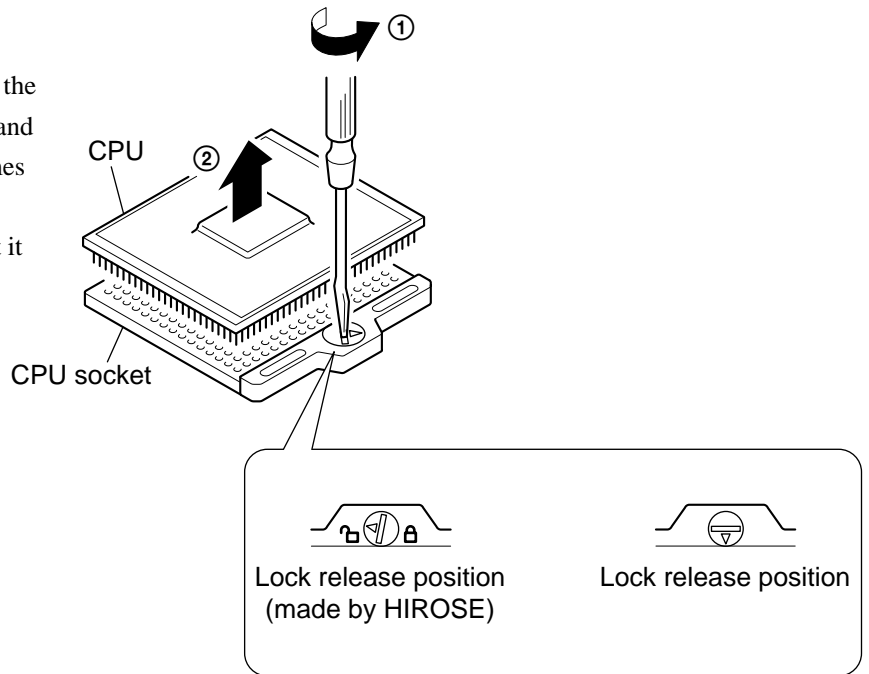
This computer uses either one of the two types of CPU socket.

The CPU locking position and the lock-release position are different depending on the types of the CPU socket.

1. Socket type 1, 2

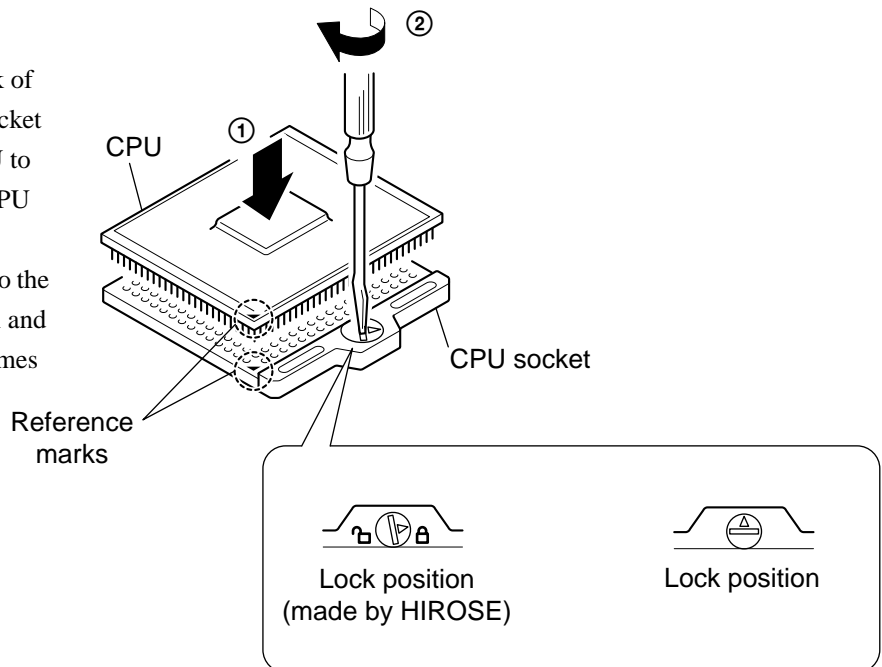
1. Removing the CPU

- ① Insert a flat-blade screwdriver into the notch as shown in the illustration and rotate it so that the protrusion comes to the lock release position.
- ② Pull the CPU gently upward to lift it out of the CPU socket.



2. Installing the CPU

- ① Align the triangle reference mark of the CPU with that of the CPU socket and insert all the pins of the CPU to the corresponding holes of the CPU socket.
- ② Insert a flat-blade screwdriver into the notch as shown in the illustration and rotate it so that the protrusion comes to the lock position.

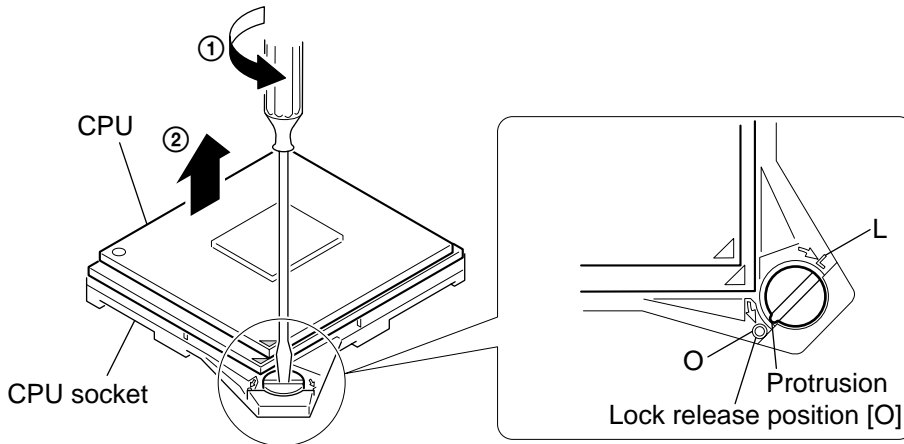


NOTE:

Rotate a flat-blade screwdriver to the lock position securely. If not, the operation of the CPU may become unstable.

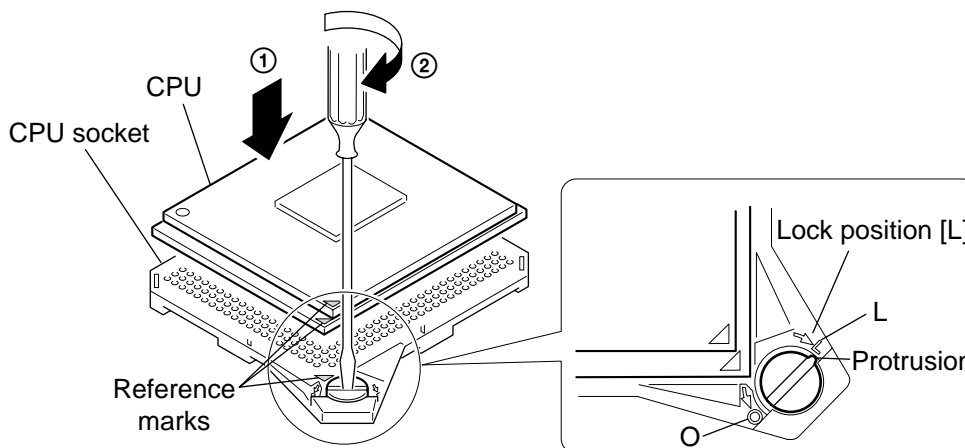
2. Socket type 3

1. Removing the CPU



- ① Insert a flat-blade screwdriver into the notch as shown in the illustration and rotate it so that the protrusion comes to the “O” (lock release) position.
- ② Pull the CPU gently upward to lift it out of the CPU socket.

2. Installing the CPU



- ① Align the triangle reference mark of the CPU with that of the CPU socket and insert all the pins of the CPU to the corresponding holes of the CPU socket.
- ② Insert a flat-blade screwdriver into the notch as shown in the illustration and rotate it so that the protrusion comes to the “L” (lock) position.

NOTE:

- Considerable force is required to rotate a flat-blade screwdriver.
- Rotate a flat-blade screwdriver to the “L” (lock) position securely. If not, the operation of the CPU may become unstable.

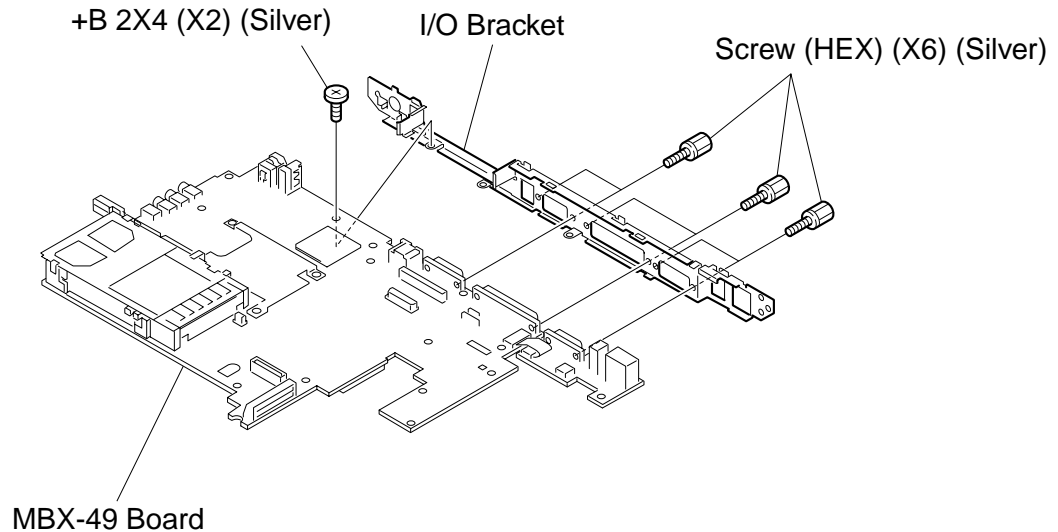
Confidential

1-5. Replacing Various Connectors on the MBX-49 Board

Replace the connectors of “5-5. Connector Section” as follows.

1. Removing the I/O Bracket

When removing the connectors of reference numbers 164, 165 and 167 (refer to page 5-13), remove the I/O bracket first.

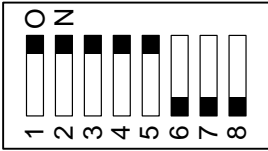
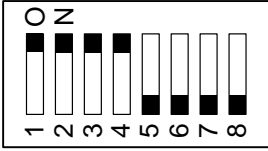
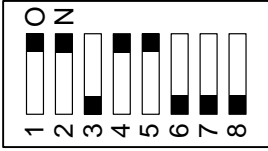


2. Removing the Various Connectors

The connectors of reference numbers 164, 165 and 167 (Refer to page 5-13, 5-14) are connected by soldering, remove the soldering first then remove the connectors.

1-6. DIP Switch Setting of the MBX-49 Board

Set the DIP switch on the MBX-49 board (main board) to match with the LCD that is used in this computer, because several types of LCD are used as shown in the following table and the DIP switch setting differs depending on the LCD type.

MODEL	Name of LCD	Part No.	DIP switch setting																		
FX270/FX270K	HI	1-476-300-11	 <p>The upper position where ON indication is shown is the ON position . The lower position is the OFF position.</p> <table border="1" data-bbox="863 813 1281 887"> <tr> <td>No.</td> <td>1</td> <td>2</td> <td>3</td> <td>4</td> <td>5</td> <td>6</td> <td>7</td> <td>8</td> </tr> <tr> <td>ON/OFF</td> <td>0</td> <td>0</td> <td>0</td> <td>0</td> <td>0</td> <td>1</td> <td>1</td> <td>1</td> </tr> </table> <p style="text-align: right;">0 : ON 1: OFF</p>	No.	1	2	3	4	5	6	7	8	ON/OFF	0	0	0	0	0	1	1	1
No.	1	2	3	4	5	6	7	8													
ON/OFF	0	0	0	0	0	1	1	1													
FX220/FX220K FX250/FX250K	HI	1-476-186-12	 <p>The upper position where ON indication is shown is the ON position . The lower position is the OFF position.</p> <table border="1" data-bbox="863 1267 1281 1344"> <tr> <td>No.</td> <td>1</td> <td>2</td> <td>3</td> <td>4</td> <td>5</td> <td>6</td> <td>7</td> <td>8</td> </tr> <tr> <td>ON/OFF</td> <td>0</td> <td>0</td> <td>0</td> <td>0</td> <td>1</td> <td>1</td> <td>1</td> <td>1</td> </tr> </table> <p style="text-align: right;">0 : ON 1: OFF</p>	No.	1	2	3	4	5	6	7	8	ON/OFF	0	0	0	0	1	1	1	1
No.	1	2	3	4	5	6	7	8													
ON/OFF	0	0	0	0	1	1	1	1													
FX240/FX240K	HI	1-476-789-11	 <p>The upper position where ON indication is shown is the ON position . The lower position is the OFF position.</p> <table border="1" data-bbox="863 1720 1281 1796"> <tr> <td>No.</td> <td>1</td> <td>2</td> <td>3</td> <td>4</td> <td>5</td> <td>6</td> <td>7</td> <td>8</td> </tr> <tr> <td>ON/OFF</td> <td>0</td> <td>0</td> <td>1</td> <td>0</td> <td>0</td> <td>1</td> <td>1</td> <td>1</td> </tr> </table> <p style="text-align: right;">0 : ON 1: OFF</p>	No.	1	2	3	4	5	6	7	8	ON/OFF	0	0	1	0	0	1	1	1
No.	1	2	3	4	5	6	7	8													
ON/OFF	0	0	1	0	0	1	1	1													

CHAPTER 2.

SELF DIAGNOSTICS

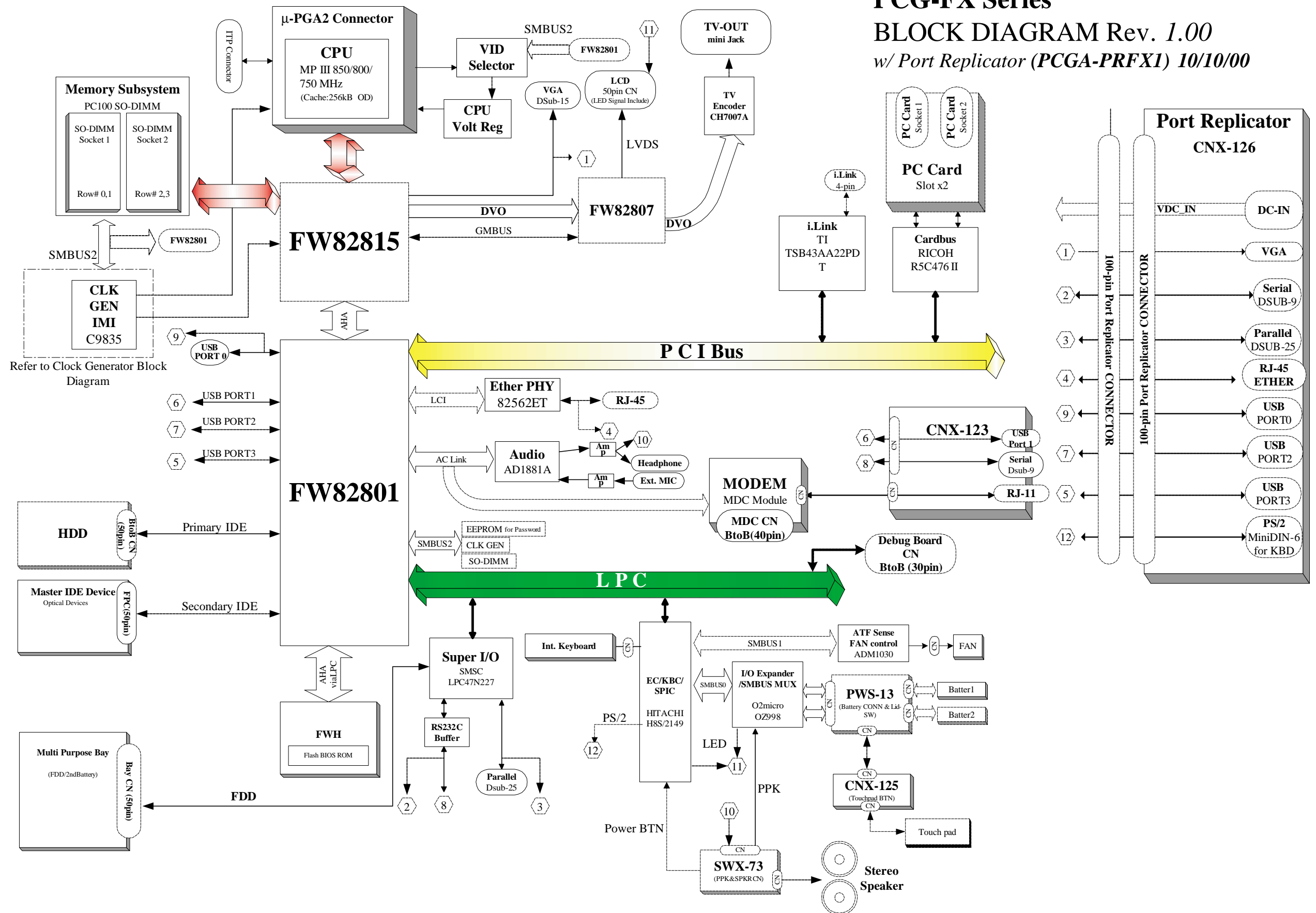
ATTENTION

Please confirm “Self Diagnostics” method which will be informed you with distribution of “Self Diagnostics” software.

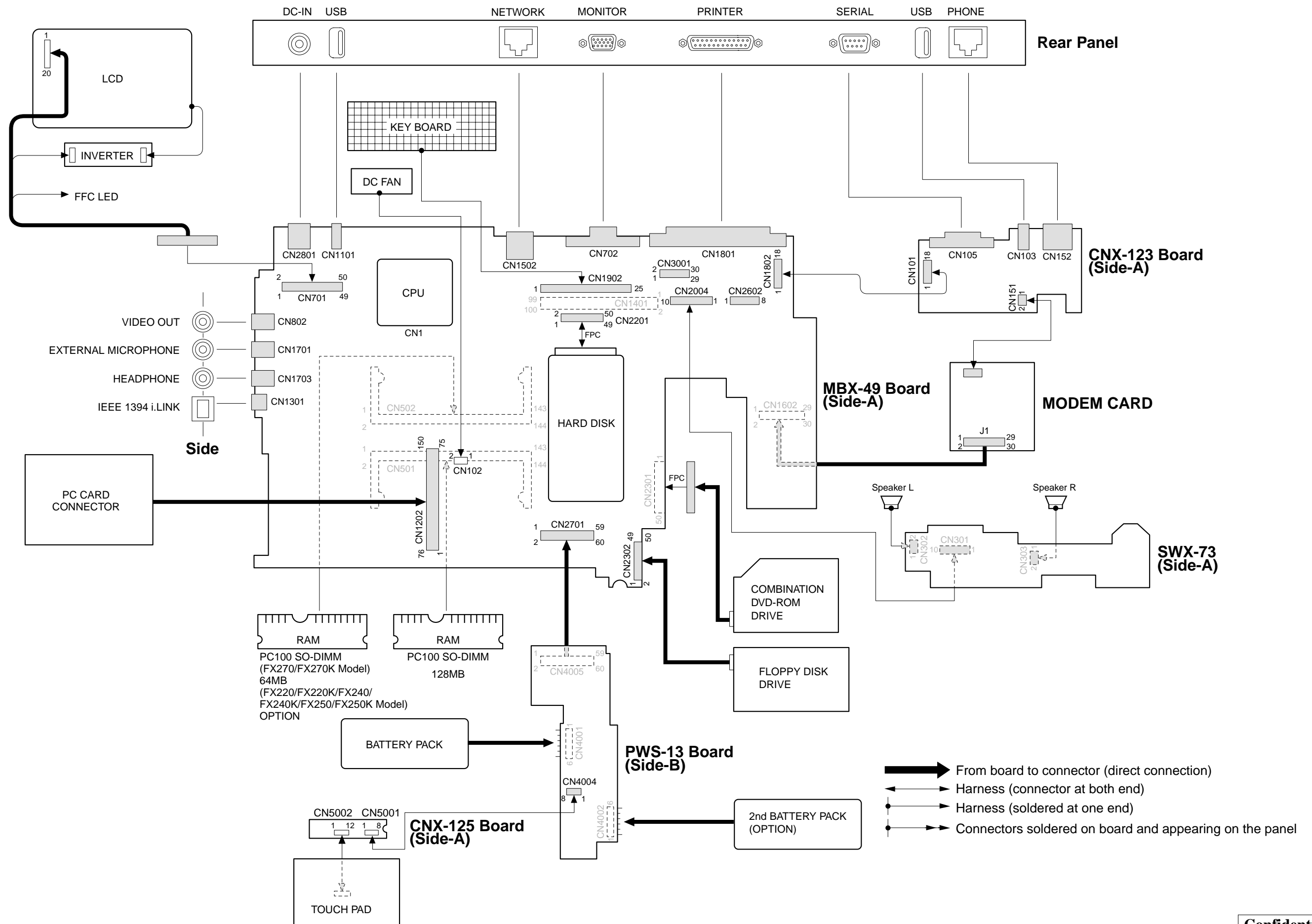
Confidential

CHAPTER 3. BLOCK DIAGRAM

PCG-FX Series BLOCK DIAGRAM Rev. 1.00 w/ Port Replicator (PCGA-PRFX1) 10/10/00



CHAPTER 4. FRAME HARNESS DIAGRAM



CHAPTER 5.

EXPLODED VIEWS AND PARTS LIST

NOTE:

- The mechanical parts with no reference number in the exploded views are not supplied.
- Items marked “ * ” are not stocked since they are seldom required for routine service. Some delay should be anticipated when ordering these items.
- When two or more parts are shown in parallel, use the part described first as the main part.

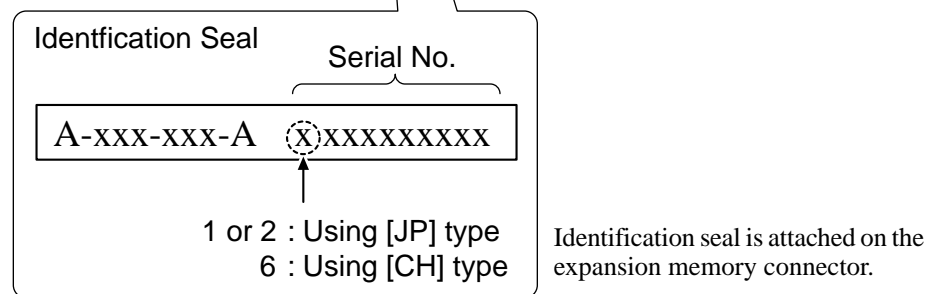
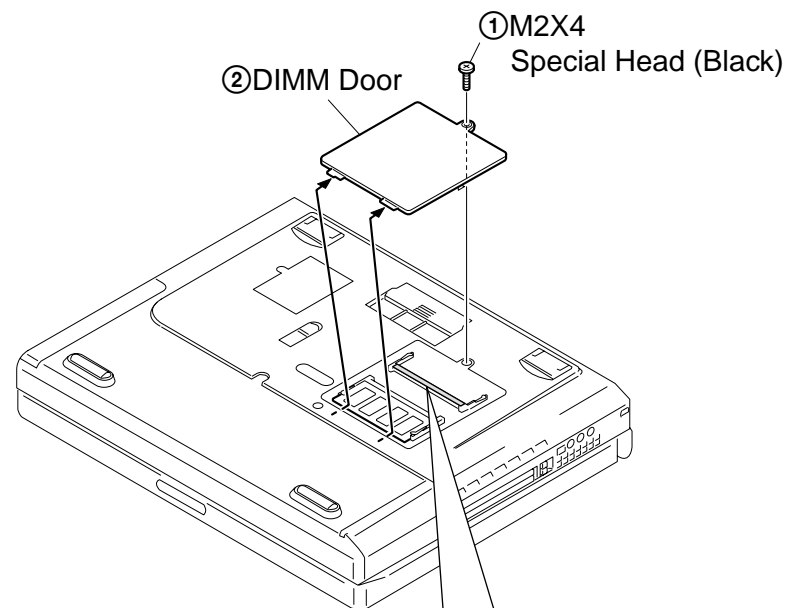
The components identified by mark Δ or dotted line with mark Δ are critical for safety. Replace only with part number specified.

Les composants identifiés par une marque Δ sont critiques pour la sécurité. Ne les remplacer que par une pièce portant le numéro spécifié.

How to use properly the repair parts.

There are some parts that use the 2 types ; the [CH] parts or alternately the [JP] parts, in this series. Use the [CH] repair parts for the [CH] type product, vice versa.

[How to identify the parts]



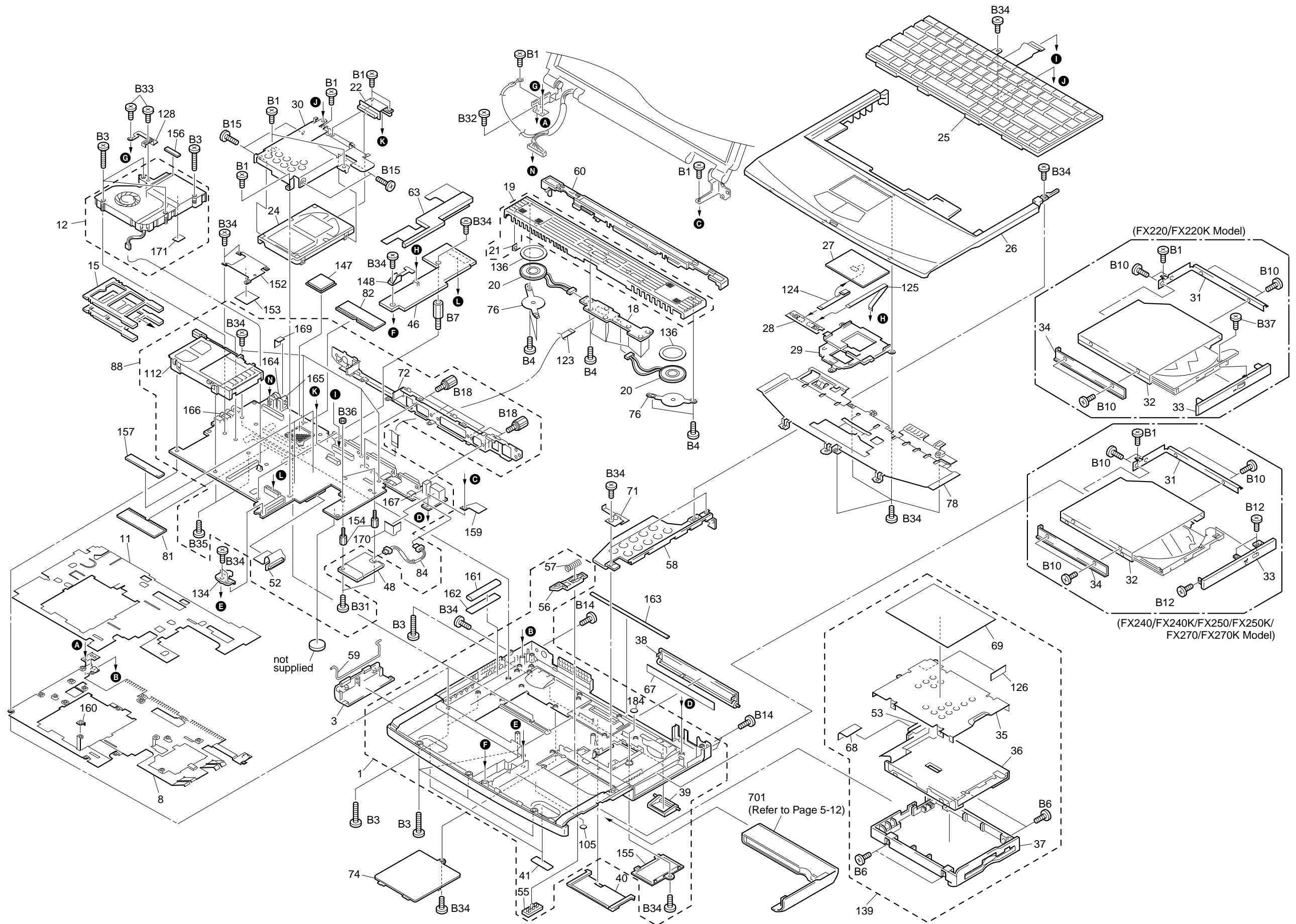
[Repair part description example]

<u>Ref.No.</u>	<u>Part No.</u>	<u>Description</u>
999	A-8025-235-A	(CH)...MBX-49 (CH) ASSY (S)
999	4-8025-236-A	(JP)...MBX-49 (JP) ASSY (S)

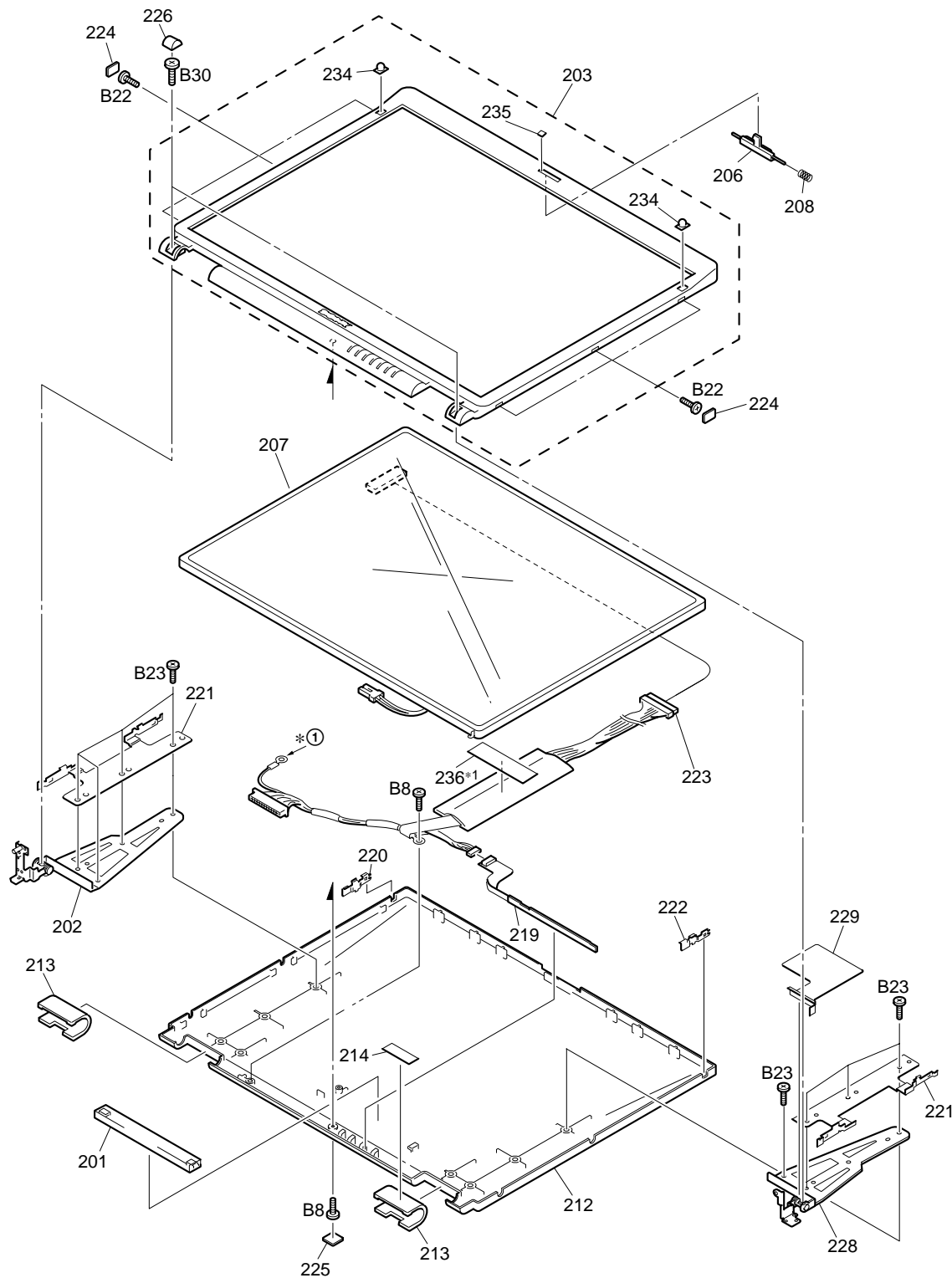
5-1. Main Section

Ref.No.	Part No.	Description	Ref.No.	Part No.	Description	Ref.No.	Part No.	Description
1	X-4623-780-1	ASSY BOTTOM (AM2)	71	4-641-851-02	SPRING (FDD), PLATE	B1	4-641-726-41	SCREW (M2), SPECIAL HEAD
3	4-640-837-31	DOOR BATTERY	72	4-651-709-41	(CH)...BRACKET IO	B3	4-644-899-01	SCREW (M2), 0 NUMBER P3 KIND
3	4-640-837-22	DOOR BATTERY	72	4-651-709-01	(JP)...BRACKET IO	B4	4-639-112-01	SCREW M2X4
* 8	4-651-706-21	HEATSINK BOTTOM	74	4-651-702-11	DOOR DIMM	B6	4-646-807-01	0 PLATE M2.5 (FDD)
* 8	4-651-706-01	HEATSINK BOTTOM	* 76	4-644-361-01	BRACKET SPK	B7	4-644-402-12	SCREW (MBX)
* 11	4-651-707-11	INSULATOR HEATSINK BOTTOM	* 78	4-644-362-21	PLATE PALMREST	B10	4-652-498-01	+B M2 (NOJI)
* 11	4-651-707-21	INSULATOR HEATSINK BOTTOM	* 78	4-644-362-11	PLATE PALMREST	B12	4-645-177-01	SCREW (M1.7X3.5)
12	1-763-658-21	FAN, DC (WITH HEAT SINK)	81	8-749-019-00	IC HYM71V16M655AT6-P (PC-100 SO-DIMM (128MB CL2))	B14	4-645-497-01	SCREW (M2.6), CROSS (HOLE) BIND
15	4-643-832-31	DUMMY CARD	81	8-749-019-29	IC MC-4516CD641PS-A80 (PC-100 SO-DIMM (128MB CL2))	B15	4-635-301-01	SCREW M3X4
15	4-643-832-21	DUMMY CARD	82	8-749-018-97	(FX270/FX270K)... IC HYM71V8M655AT6-P (PC-100 SO-DIMM (64MB CL2))	B18	4-635-966-01	SCREW (HEX)
18	A-8025-266-A	SWX-73 (CH) ASSY (S)	82	8-759-695-59	(FX270/FX270K)... IC MT4LSDT864HG-10EB1 (PC-100 SO-DIMM (64MB CL2))	B31	4-645-214-11	GRIP, M2
18	A-8066-695-A	COMPLETE PWB SWX-73CH	84	1-960-827-21	HARNES (2 PIN)	B32	7-621-772-68	SCREW +B 2X12
19	X-4623-388-2	ASSY HOOD KEYBOARD (Z)	88	A-8025-235-A	(CH)...MBX-49 (CH) ASSY (S)	B33	4-642-852-21	+B M2
20	1-529-287-11	SPEAKER UNIT	88	A-8025-236-A	(JP)...MBX-49 (JP) ASSY (S)	B34	4-641-726-11	SCREW (M2), SPECIAL HEAD
21	3-718-233-01	NUT, PLATE	105	4-641-630-11	COVER BAY HOLE	B35	7-621-772-70	SCREW +B 2X14
22	1-790-639-22	FPC 50PIN (FOR HDD)	112	1-815-505-12	CONNECTOR, 2 SLOT CARD BUS	B36	7-622-205-05	NUT (M2 TYPE2), HEXAGON
24	1-772-727-11	(FX250/FX250K/FX270/FX270K)... HDD (DJSA-220 20.0GB)	123	1-790-711-21	FFC (PPK)	B37	4-650-481-01	SCREW (B1.7), TAPPING
24	1-796-187-11	(FX220/FX220K/FX240/FX240K)... HDD (15.0GB)-DJSA220	124	1-757-767-11	FFC (TP-CNX)			
25	1-476-647-12	KEY BOARD UNIT (US)	125	1-790-710-11	FFC (SWX-PWS)			
26	X-4623-390-1	ASSY PALMREST	126	4-644-053-01	SPACER FDD			
27	1-772-529-72	PAD, TOUCH	* 128	4-653-452-01	PLATE, GROUND			
28	A-8025-267-A	CNX-125 (CH) ASSY (S)	* 134	4-645-433-01	BRACKET BAY CONNECTOR			
28	A-8066-693-A	COMPLETE PWB CNX-125CH	136	4-644-357-01	CUSHION SPK			
29	4-651-699-01	BRACKET PAD	139	A-8048-966-A	ASSY BAY FD (TE)			
* 30	4-651-708-21	BRACKET (HDD)	147	6-700-620-01	(FX220/FX220K)... IC KP80526GY750256-2 (PIII 750 MHz)			
31	4-640-861-11	BRACKET CD-ROM R	147	6-700-619-01	(FX240/FX240K/FX250/FX250K)... IC KP80526GY800256-2 (PIII 800 MHz)			
32	1-796-171-11	(FX220/FX220K)... DVD-ROM DRIVE (SDR-081)	147	6-700-618-01	(FX270/FX270K)... IC KP80526GY850256-2 (PIII 850 MHz)			
32	1-796-072-12	(FX240/FX240K/FX250/ FX250K/FX270/FX270K)... COMBO DRIVE (UJDA710)	148	X-4623-561-2	ASSY LATCH DETECTOR			
33	X-4623-749-1	(FX220/FX220K)... ASSY DOOR DVD-RW Q (EXP)	* 152	4-651-871-01	HEAT SINK			
33	X-4623-442-1	(FX240/FX240K/FX250/ FX250K/FX270/FX270K)... ASSY DOOR DVD-RW PA (EXP)	153	4-652-012-01	SHEET, ELECTRIC HEAT			
34	4-640-860-12	BRACKET (CD-ROM L)	154	4-651-989-01	SPACER (MBX)			
35	4-640-828-01	PLATE FDD	155	4-651-701-11	DOOR MODEM			
36	1-772-034-21	FDD (FD-5HG-5760)	156	4-653-151-11	SPACER (KBF)			
37	X-4623-528-1	ASSY BOTTOM FDD Z (TCY2)	157	4-653-466-01	CUSHION (HD-M)			
38	4-651-713-11	(CH)...DOOR (IO)	159	4-653-963-01	SHIELD (CNX)			
38	4-651-713-01	(JP)...DOOR I/O	160	4-653-964-01	SPACER (B/P)			
39	4-651-844-01	FOOT REAR	161	4-654-019-01	GASKET (AV)			
40	4-651-714-21	DOOR DOCKING CONNECTOR	162	4-654-047-01	SHIELD (AV)			
41	4-640-851-11	FOOT FRONT	163	4-653-936-01	GASKET (HB/M)			
46	A-8025-233-A	(CH)...PWS-13 (CH) ASSY (S)	164	1-779-745-21	JACK, DC			
46	A-8025-234-A	(JP)...PWS-13 (JP) ASSY (S)	165	1-815-422-11	USB CONNECTOR (VERTICAL)			
48	1-761-380-23	CARD, MODEM	166	1-695-514-21	JACK (SMALL TYPE) 1P			
52	1-790-640-11	FPC 50PIN (FOR CD-ROM)	167	1-815-221-21	CONNECTOR, USB (VERTICAL)			
53	1-790-641-11	FPC 50PIN (FOR FDD)	169	4-653-962-01	SHIELD (USB)			
55	4-640-845-11	BUTTON BAY	170	4-644-667-11	COVER RJ-11			
56	4-644-349-01	LATCH BAY	170	4-644-667-01	COVER RJ-11			
* 57	4-640-854-01	SPRING BAY	171	4-654-350-11	SHEET (CPU), THERMAL			
* 58	4-651-850-01	BRACKET BOTTOM	184	4-654-776-01	INSULATOR (SCREW)			
* 59	4-640-857-01	DOOR BATTERY SPRING						
60	4-651-698-21	DISPLAY BASE						
63	4-651-928-01	COVER BATTERY CONNECTOR						
67	4-652-099-21	(CH)...LABEL I/O						
67	4-652-099-01	(JP)...LABEL I/O						
68	4-641-629-01	INSULATOR FDD						
69	4-641-763-21	LABEL FD						

Confidential



5-2. LCD Section (FX270/FX270K Model) – Made by HI –



Ref.No.	Part No.	Description
201	1-476-316-11	INVERTER UNIT
202	X-4623-380-1	HINGE LEFT 15
203	X-4623-690-1	ASSY HOU,BEZEL 15H-Z (EXP)
206	4-637-902-41	LATCH
207	1-476-300-11	ASSY LCD 15SXGA (HI) (S)
208	4-637-903-01	SPRING LATCH
212	X-4623-689-1	ASSY HOU,DISPLAY 15H-Z (EXP)
213	4-642-762-41	COVER HINGE (15)
214	4-655-380-11	(FX270)...LABEL ID (U)
214	4-655-380-51	(FX270K)...LABEL ID (U)
219	1-757-604-11	PWB, FLEXIBLE PRINT (SINGLE)
* 220	4-647-506-01	BRACKET LCD (L) 15SX
* 221	4-647-508-11	BRACKET LCD (LR) SX
* 222	4-647-507-01	BRACKET LCD (R) 15SX
223	1-961-017-11	HARNES, LCD (SXGA+)
224	4-646-217-11	COVER SCREW SIDE (15)
225	4-635-277-22	COVER SCREW LOWER
226	4-643-549-12	COVER SCREW SHAFT
228	X-4623-381-1	HINGE RIGHT 15
229	4-643-366-11	EDGE GUARD HINGE (15)
234	4-635-276-22	COVER SCREW UPPER
235	4-642-760-12	CUSHION CENTER
236		FILAMENT TAPE (W12X50)(*1)

*1 : Use the FILAMENT TAPE.

NOTE :

Set the DIP switch on the MBX-49 board (Main board) to match with the LCD (1-476-300-11) that is used in this computer.



The upper position where ON indication is shown is the ON position . The lower position is the OFF position.

No.	1	2	3	4	5	6	7	8
ON/OFF	0	0	0	0	0	1	1	1

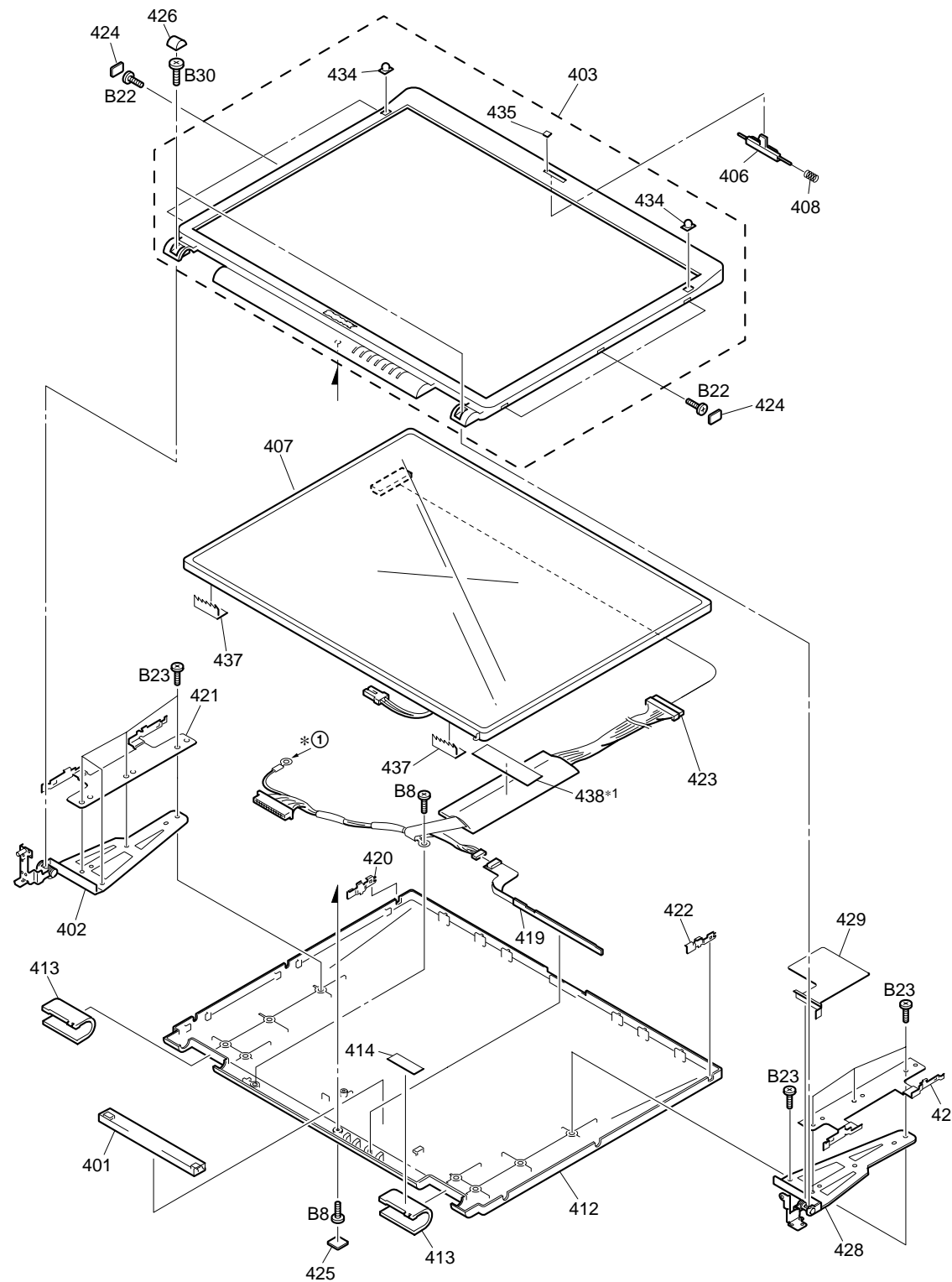
0 : ON 1 : OFF

Ref.No.	Part No.	Description
B8	4-641-726-11	SCREW (M2), SPECIAL HEAD
B22	4-641-726-81	SCREW (M2), SPECIAL HEAD
B23	4-644-165-01	SCREW (M2.6X4), 0 PLATE P1 MAIN
B30	4-643-550-01	+P 2.6X6 LOCK PRECISION TYPE3

*① For the installation position, refer to page 5-5.

Confidential

5-3. LCD Section (FX220/FX220K/FX250/FX250K Model) – Made by HI –



Ref.No.	Part No.	Description
401	1-476-316-11	INVERTER UNIT
402	X-4623-380-1	HINGE LEFT 15
403	X-4623-690-1	ASSY HOU,BEZEL 15H-Z (EXP)
406	4-637-902-41	LATCH
407	1-476-186-12	ASSY LCD 15HI (S)
408	4-637-903-01	SPRING LATCH
412	X-4623-689-1	ASSY HOU, DISPLAY 15H-Z (EXP)
413	4-642-762-41	COVER HINGE (15)
414	4-655-380-41	(FX220)...LABEL ID (U)
414	4-655-380-81	(FX220K)...LABEL ID (U)
414	4-655-380-21	(FX250)...LABEL ID (U)
414	4-655-380-61	(FX250K)...LABEL ID (U)
419	1-757-604-11	PWB, FLEXIBLE PRINT (SINGLE)
* 420	4-647-506-01	BRACKET LCD (L) 15SX
* 421	4-647-508-11	BRACKET LCD (LR) SX
* 422	4-647-507-01	BRACKET LCD (R) 15SX
423	1-961-018-11	HARNESS, LCD (XGA-F-N)
424	4-646-217-11	COVER SCREW SIDE (15)
425	4-635-277-22	COVER SCREW LOWER
426	4-643-549-12	COVER SCREW SHAFT
428	X-4623-381-1	HINGE RIGHT 15
429	4-643-366-11	EDGE GUARD HINGE (15)
434	4-635-276-22	COVER SCREW UPPER
435	4-642-760-12	CUSHION CENTER
437	4-643-837-01	SHIELD (LCD)
438	—————	FILAMENT TAPE (W12X50)(*1)

*1 : Use the FILAMENT TAPE.

Ref.No.	Part No.	Description
B8	4-641-726-11	SCREW (M2), SPECIAL HEAD
B22	4-641-726-81	SCREW (M2), SPECIAL HEAD
B23	4-644-165-01	SCREW (M2.6X4), 0 PLATE P1 MAIN
B30	4-643-550-01	+P 2.6X6 LOCK PRECISION TYPE3

NOTE :

Set the DIP switch on the MBX-49 board (Main board) to match with the LCD (1-476-186-12) that is used in this computer.



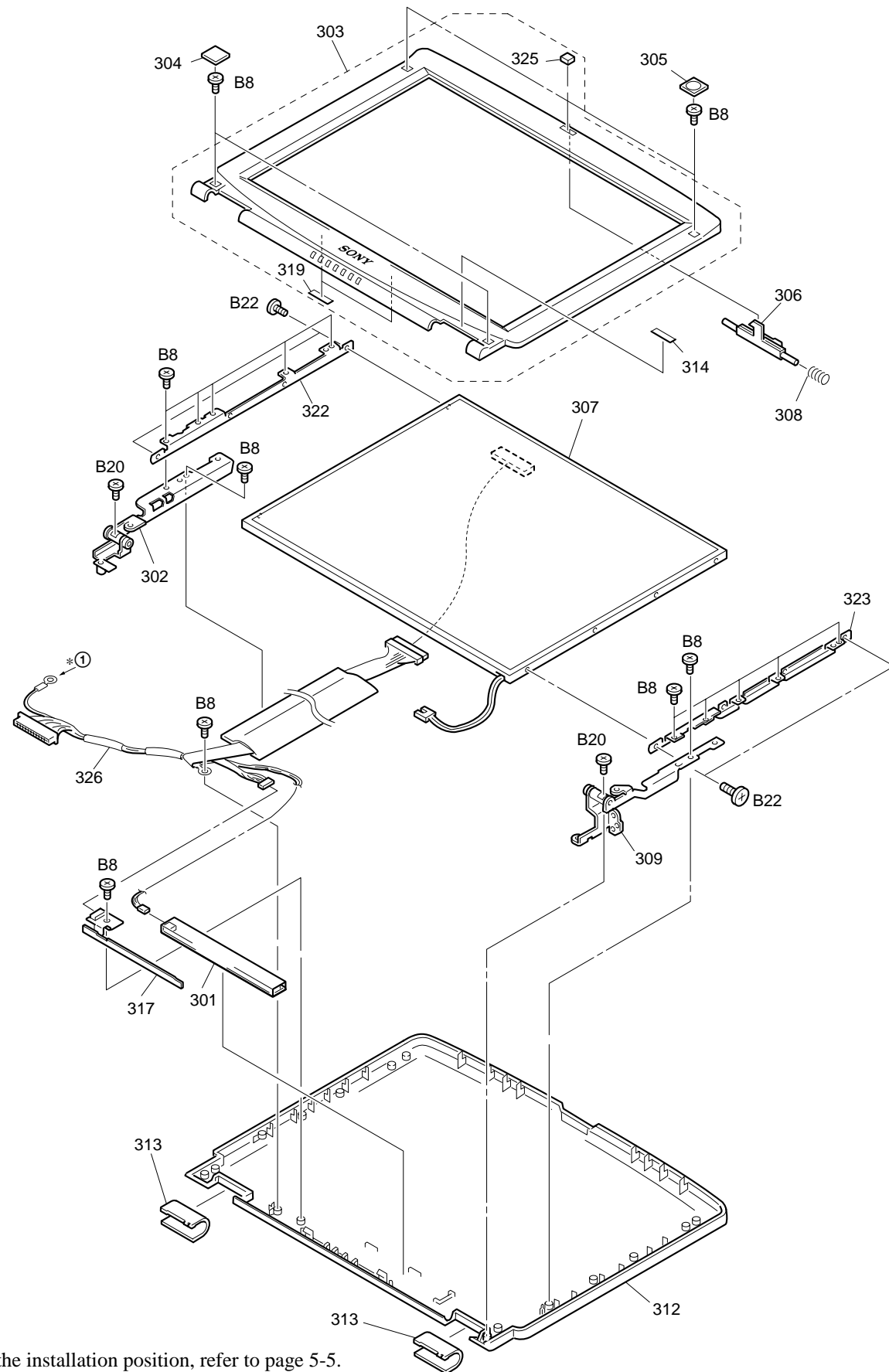
The upper position where ON indication is shown is the ON position . The lower position is the OFF position.

No.	1	2	3	4	5	6	7	8
ON/OFF	0	0	0	0	1	1	1	1

0 : ON 1 : OFF

*① For the installation position, refer to page 5-5.

5-4. LCD Section (FX240/FX240K Model) – Made by HI –



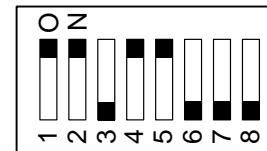
*① For the installation position, refer to page 5-5.

Confidential

Ref.No.	Part No.	Description
301	1-476-316-11	INVERTER UNIT
302	X-4623-378-1	HINGE LEFT MV
303	X-4623-775-1	ASSY HOU, BEZEL 14H-Z (EXP)
304	4-635-277-22	COVER SCREW LOWER
305	4-635-276-22	COVER SCREW UPPER
306	4-637-902-41	LATCH
307	1-476-789-11	LCD UNIT (14XGA HITACHI)
308	4-637-903-01	SPRING LATCH
309	X-4623-379-1	HINGE RIGHT MV
312	X-4623-693-1	ASSY HOU, DISPLAY 14SA-Z (EXP)
313	4-642-762-41	COVER HINGE (15)
314	4-655-380-31	(FX240)...LABEL ID (U)
314	4-655-380-71	(FX240K)...LABEL ID (U)
317	1-757-605-11	PWB, FLEXIBLE PRINT (SINGLE)
319	4-654-966-01	SHEET (BEZEL), ADHESIVE
* 322	4-644-163-01	BRACKET LCD LEFT 14 (SA)
* 323	4-644-164-01	BRACKET LCD RIGHT 14 (SA)
325	4-642-760-12	CUSHION CENTER
326	1-961-018-31	HARNESS, LCD (XGA-F-N)
B8	4-641-726-11	SCREW (M2), SPECIAL HEAD
B20	7-628-254-00	SCREW +PS 2.6X5
B22	4-642-761-01	+P M2X3 LOCK

NOTE :

Set the DIP switch on the MBX-49 board (Main board) to match with the LCD (1-476-789-11) that is used in this computer.



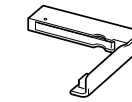
The upper position where ON indication is shown is the ON position . The lower position is the OFF position.

No.	1	2	3	4	5	6	7	8
ON/OFF	0	0	1	0	0	1	1	1

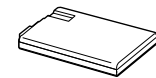
0 : ON 1 : OFF

Ref.No.	Part No.	Description
ACCESSORIES *****		
701	A-8048-965-A	ASSY WEIGHT SAVER (Z) (Refer to P.5-4)
△ 702	1-476-342-21	ADAPTOR, AC
703	1-528-935-21	(FX250/FX250K/FX270/FX270K)... BATTERY PACK, LITHIUM ION
703	1-756-147-11	(FX220/FX220K/FX240/FX240K)... BATTERY PACK, LITHIUM ION
704	1-575-875-51	CORD, CONNECTION
△	1-757-562-21	CORD,POWER
	4-655-567-11	QUICK START FX200SERIES

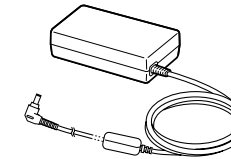
701
Weight saver (1)



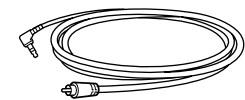
703
Battery pack (1)



702
AC adaptor (1)



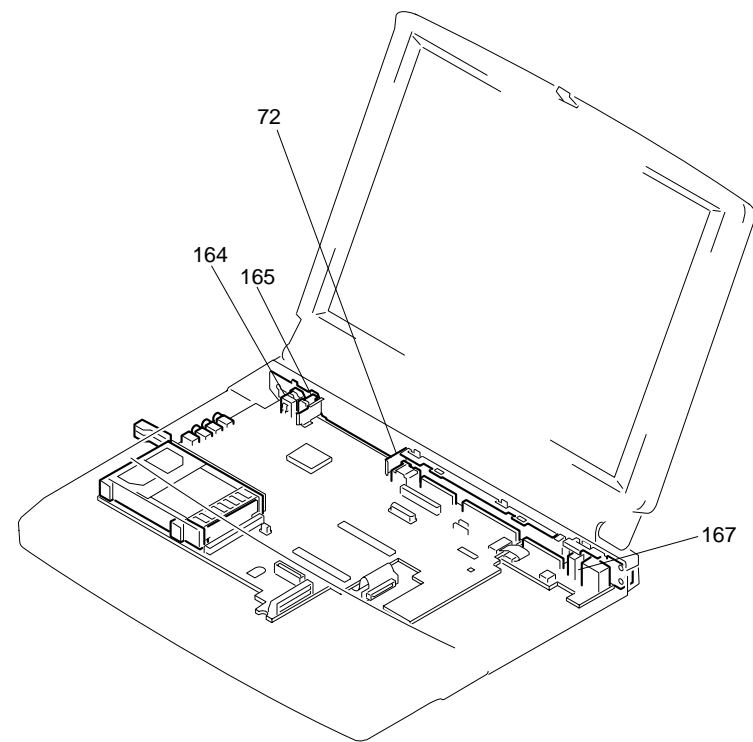
704
Video cable (1)



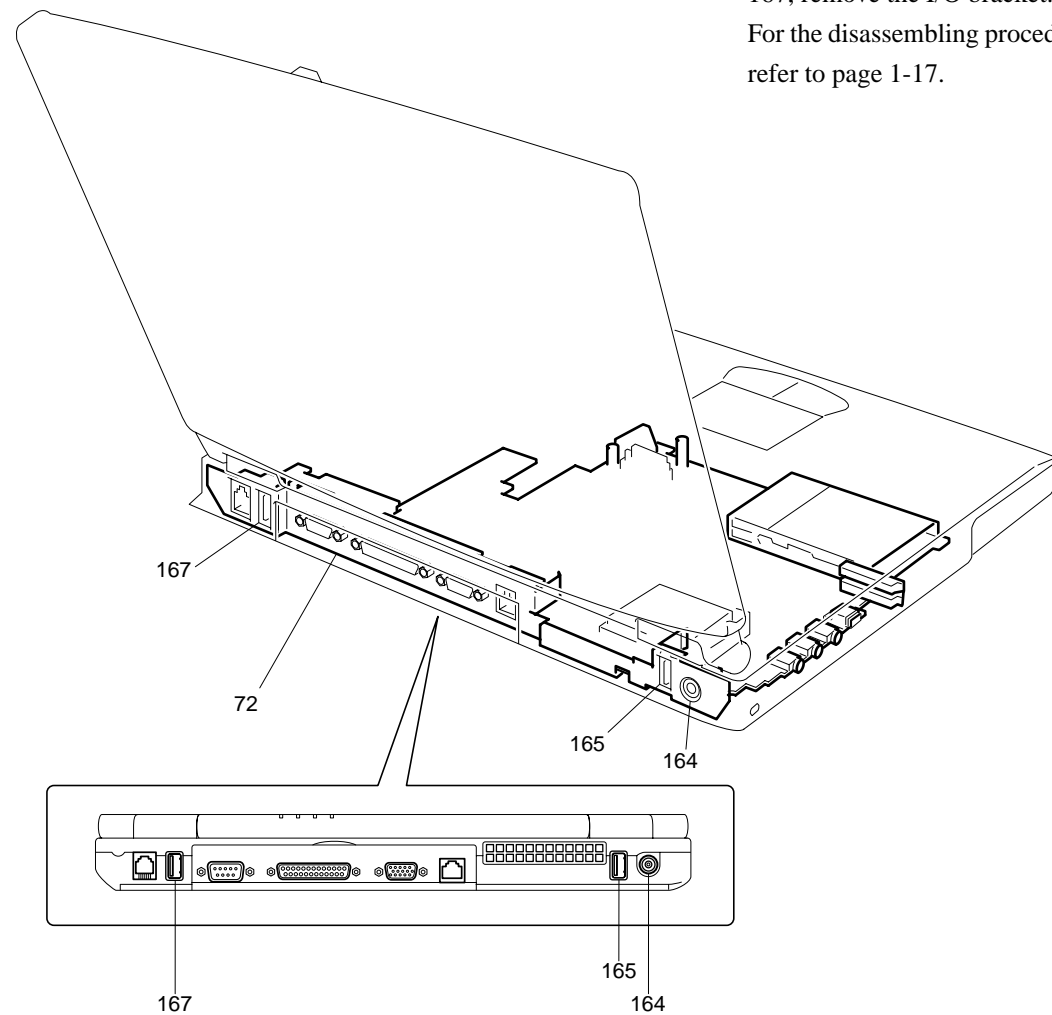
The components identified by mark △ or dotted line with mark △ are critical for safety. Replace only with part number specified.

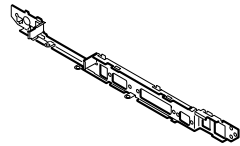
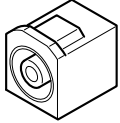
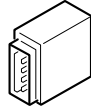
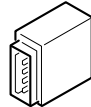
Les composants identifiés par une marque △ sont critiques pour la sécurité. Ne les remplacer que par une pièce portant le numéro spécifié.

5-5. Connector Section




*Before replacing the connector of reference number 164, 165 and 167, remove the I/O bracket. For the disassembling procedure, refer to page 1-17.



Ref.No.	Fig.	Part No.	Description
72		4-651-709-41 (CH)...BRACKET IO 4-651-709-01 (JP)...BRACKET IO	I/O BRACKET
164		1-779-745-21	JACK, DC DC IN connector
165		1-815-422-11	CONNECTOR (VERTICAL) USB connector
167		1-815-221-21	CONNECTOR, USB (VERTICAL) USB connector

List of PCG-FX Series (As of May, 2001)

Model Name	Service Manual Part No.
PCG-FX290K PCG-FX290	9-872-209-11
PCG-FX190K PCG-FX170K PCG-FX150K PCG-FX140K PCG-FX120K	9-872-194-11
PCG-FX190 PCG-FX170 PCG-FX150 PCG-FX140 PCG-FX120	9-872-179-11
PCG-FX270K PCG-FX270 PCG-FX250K PCG-FX250 PCG-FX240K PCG-FX240 PCG-FX220K PCG-FX220	9-872-227-11
PCG-FX210	9-872-204-11
PCG-FX215	9-872-232-11

 : Additional Models

This manual and the constituent data may not be replicated, copied nor reprinted in whole or in part without prior written authorization of Sony Corporation.