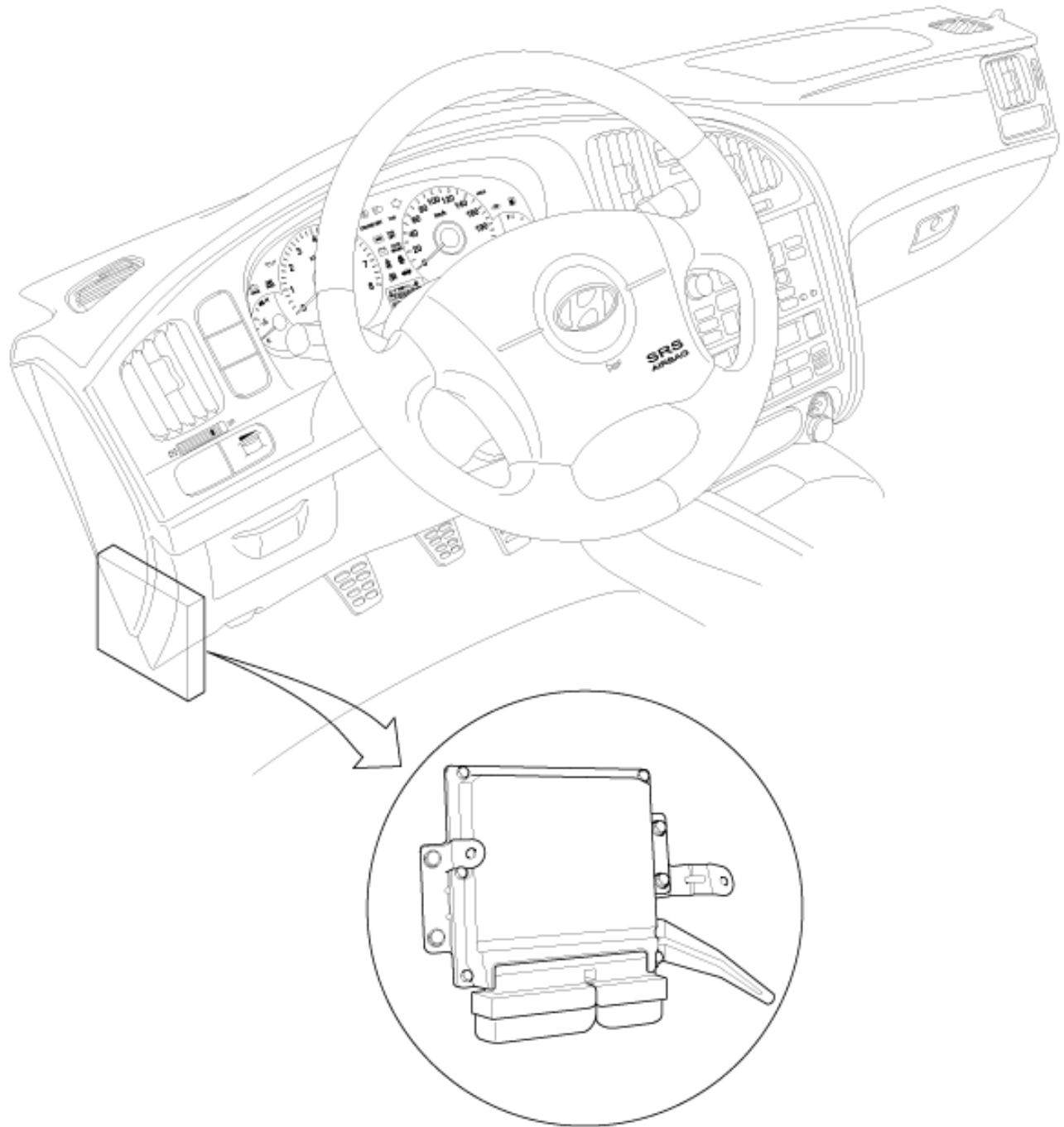
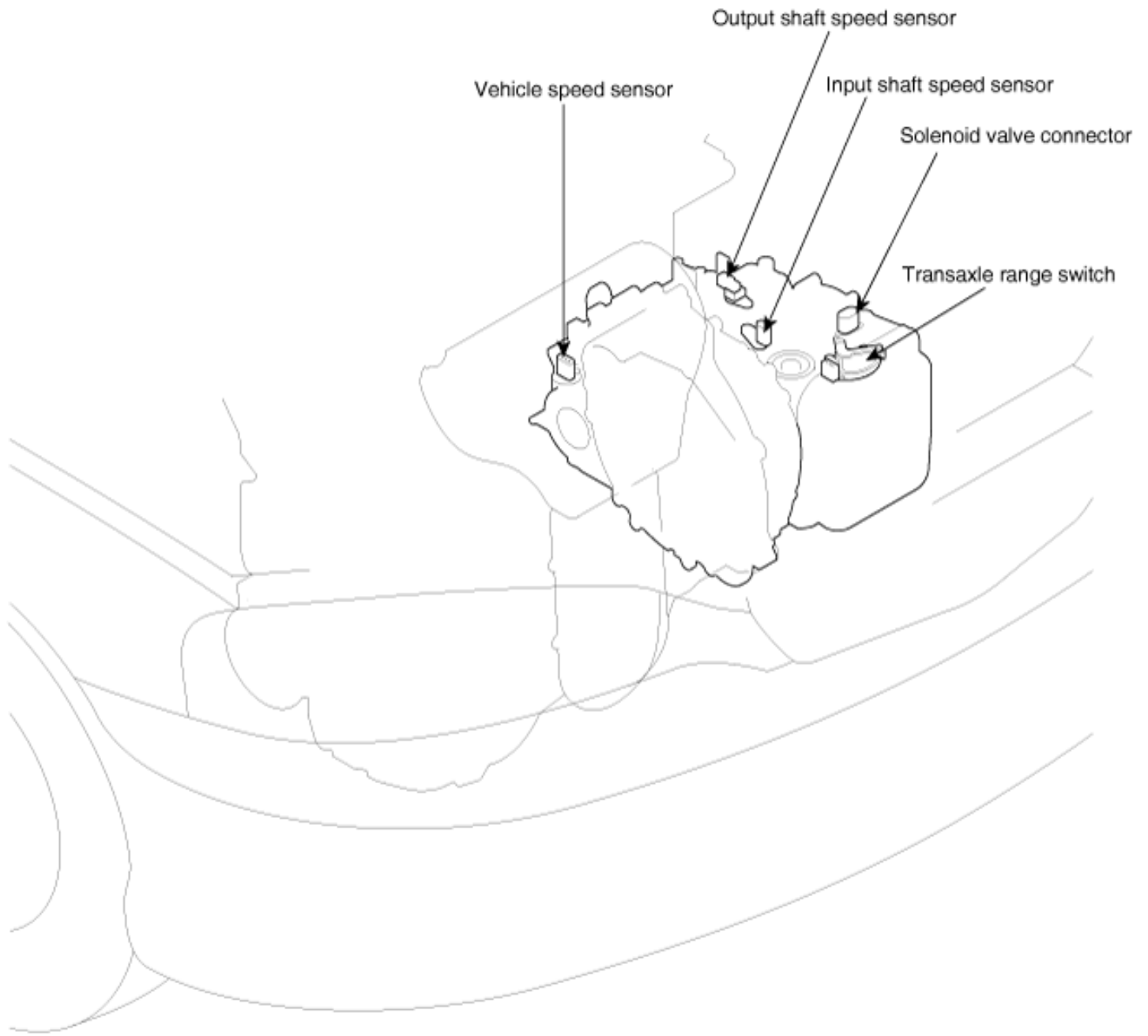




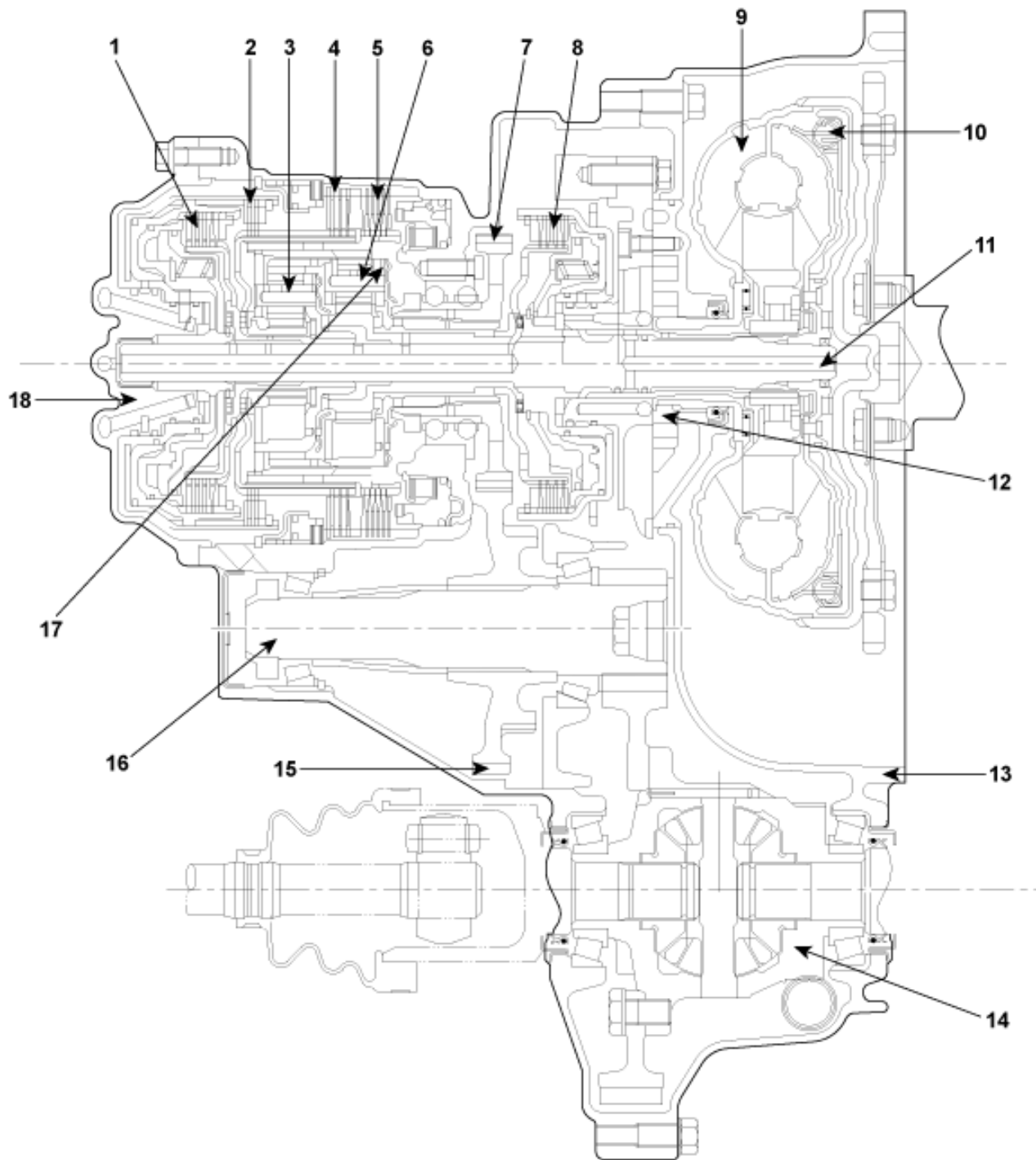
COMPONENTS



COMPONENTS



COMPONENTS



- | | |
|---------------------------------|-----------------------------|
| 1. Overdrive clutch | 10. Torque converter clutch |
| 2. Reverse clutch | 11. Input shaft |
| 3. Overdrive planetary gear set | 12. Oil pump |
| 4. Second brake | 13. Converter housing |
| 5. Low-reverse | 14. Differential |
| 6. Output planetary gear set | 15. Transfer driven gear |
| 7. Transfer drive gear | 16. Output shaft |
| 8. Underdrive clutch | 17. Oneway clutch |
| 9. Torque converter | 18. Rear cover |