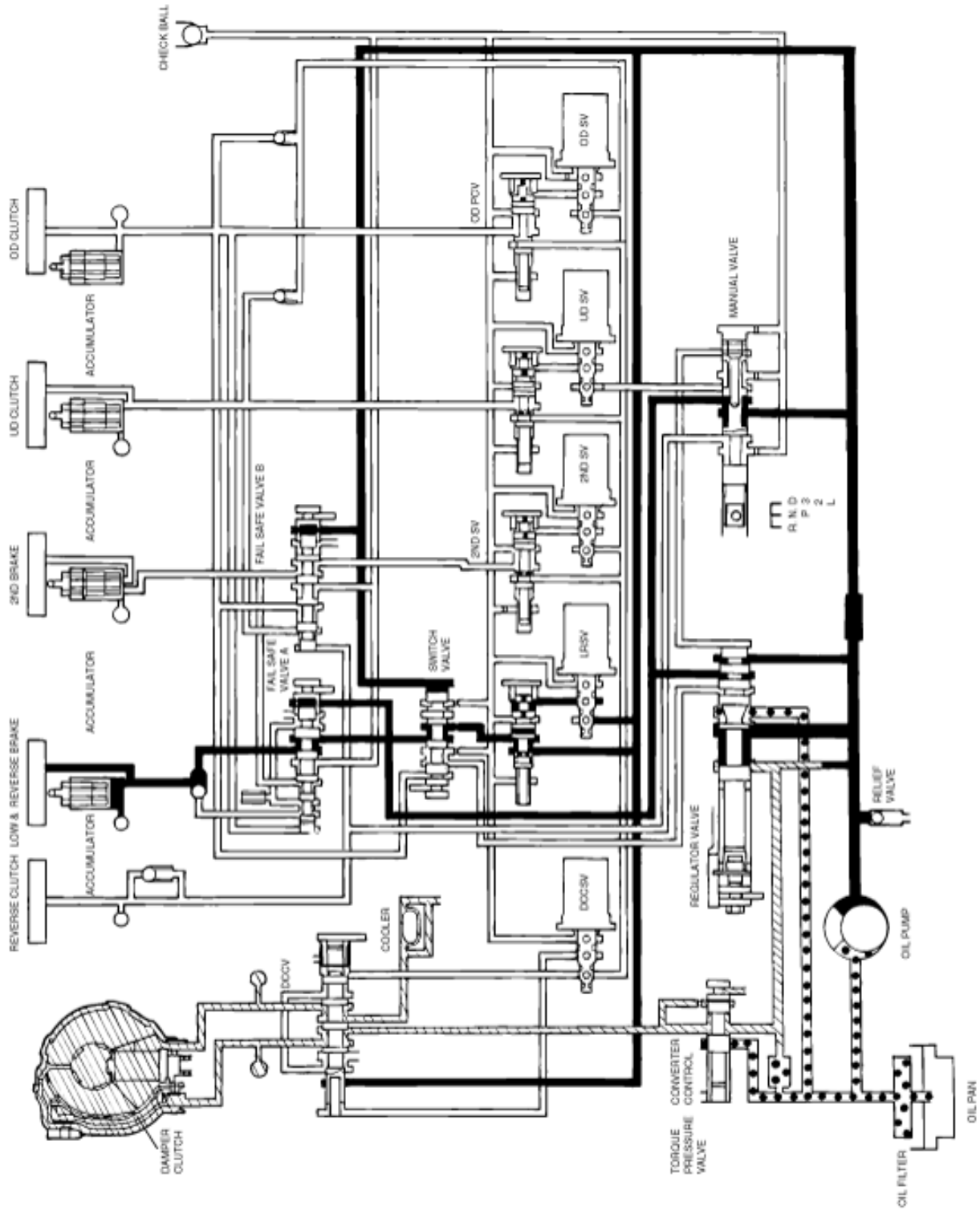



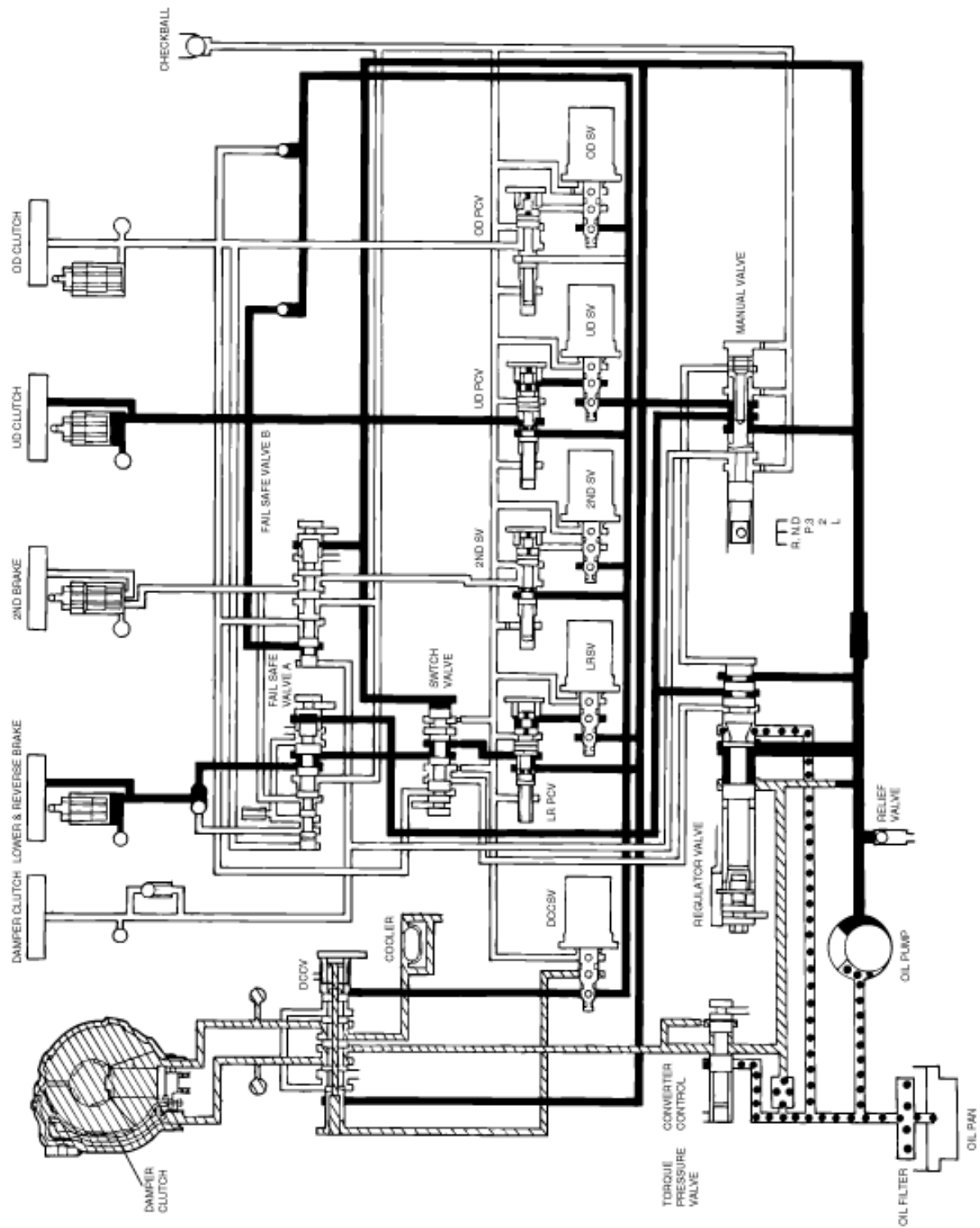







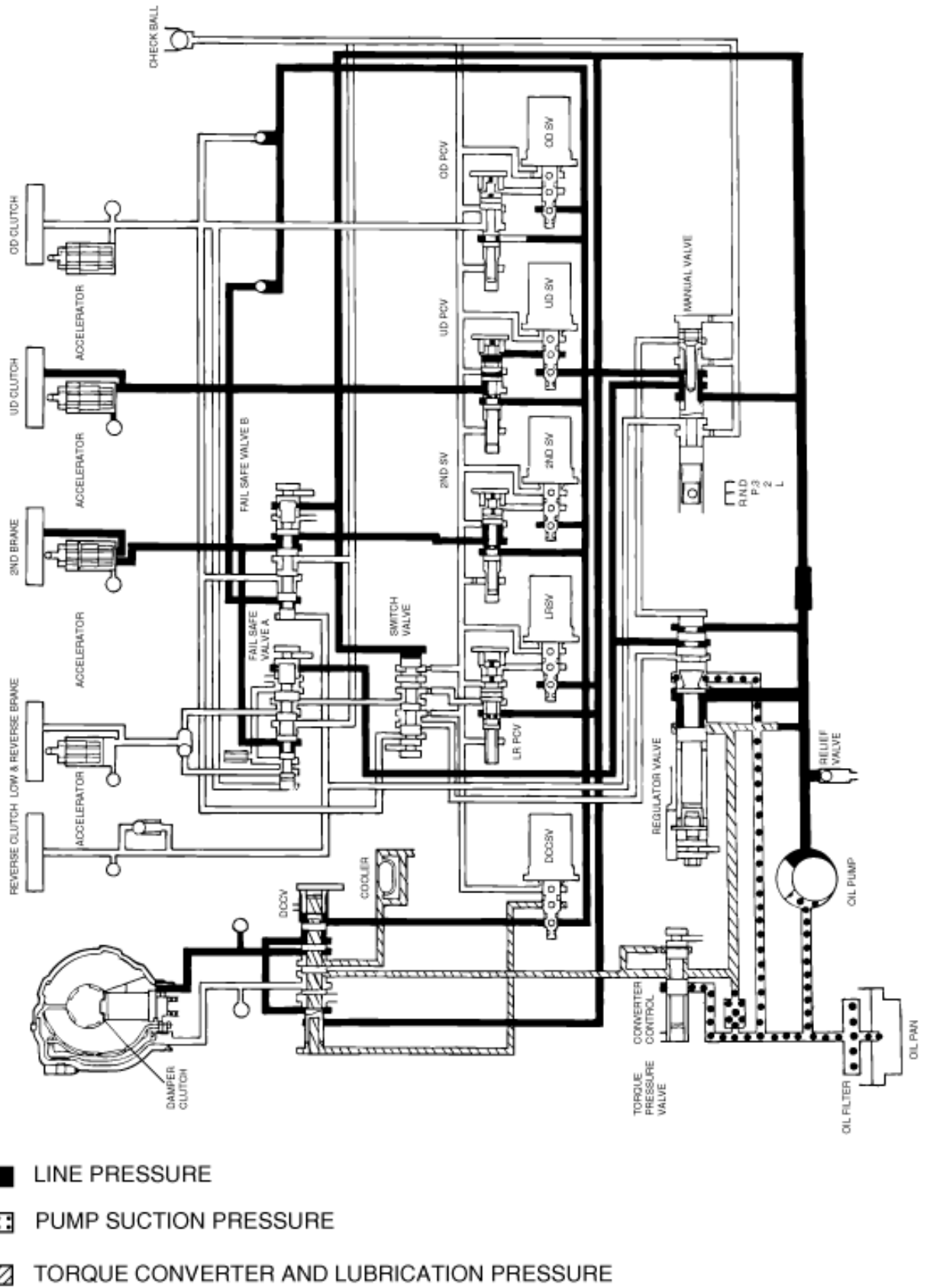
AUTOMATIC TRANSAXLE HYDRAULIC CIRCUIT (F4A42)

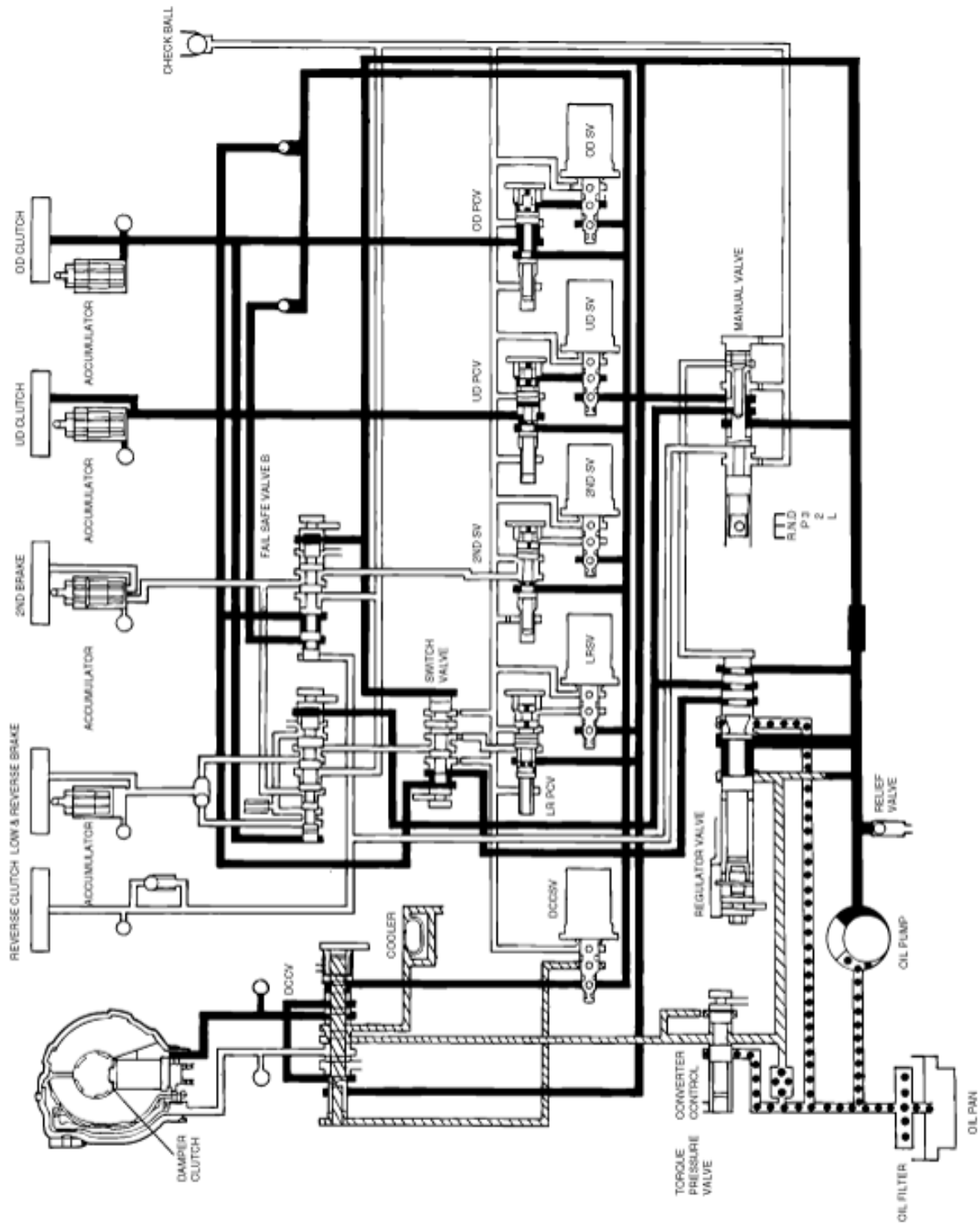





-  LINE PRESSURE
-  PUMP SUCTION PRESSURE
-  TORQUE CONVERTER AND LUBRICATION PRESSURE

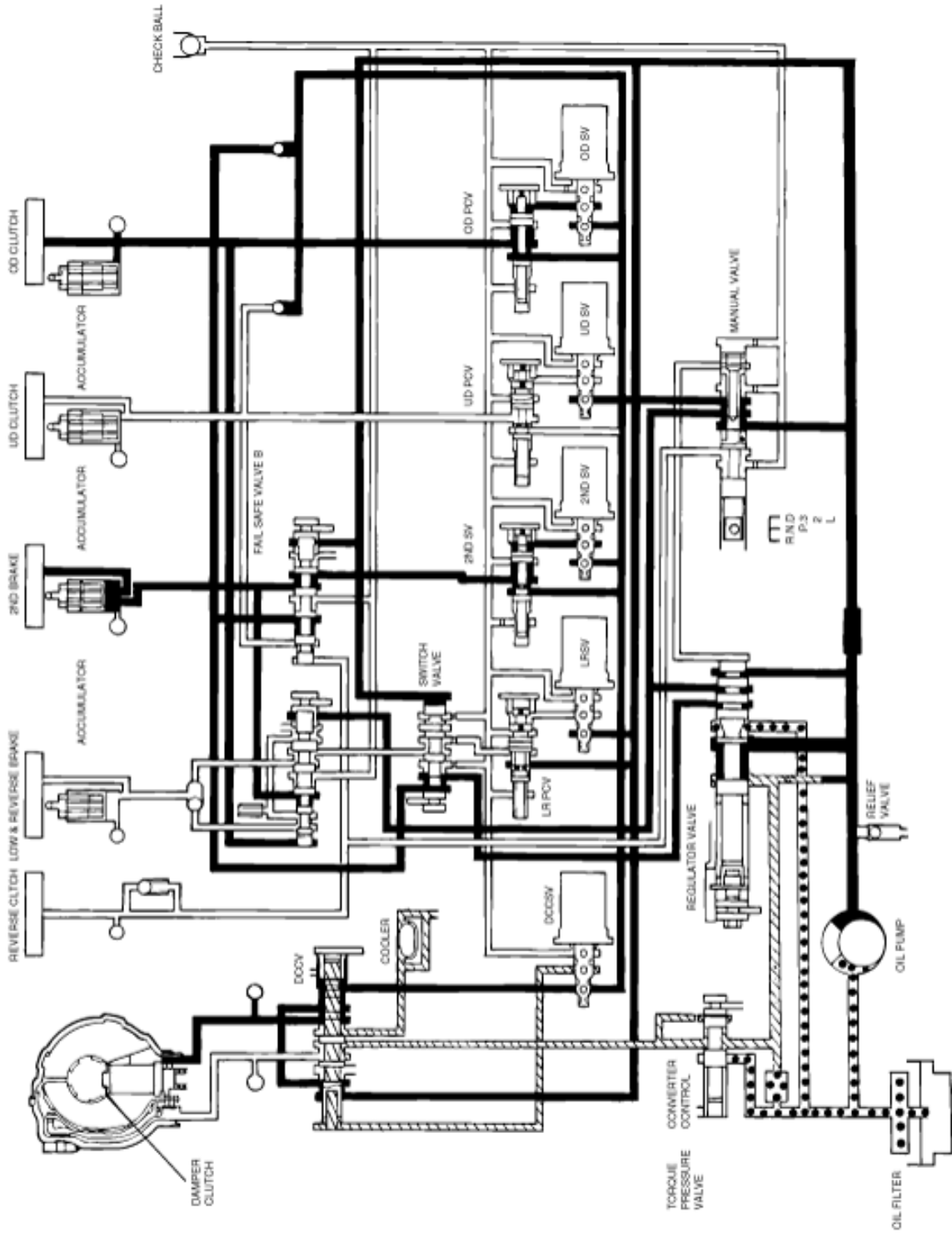





-  LINE PRESSURE
-  PUMP SUCTION PRESSURE
-  TORQUE CONVERTER AND LUBRICATION PRESSURE

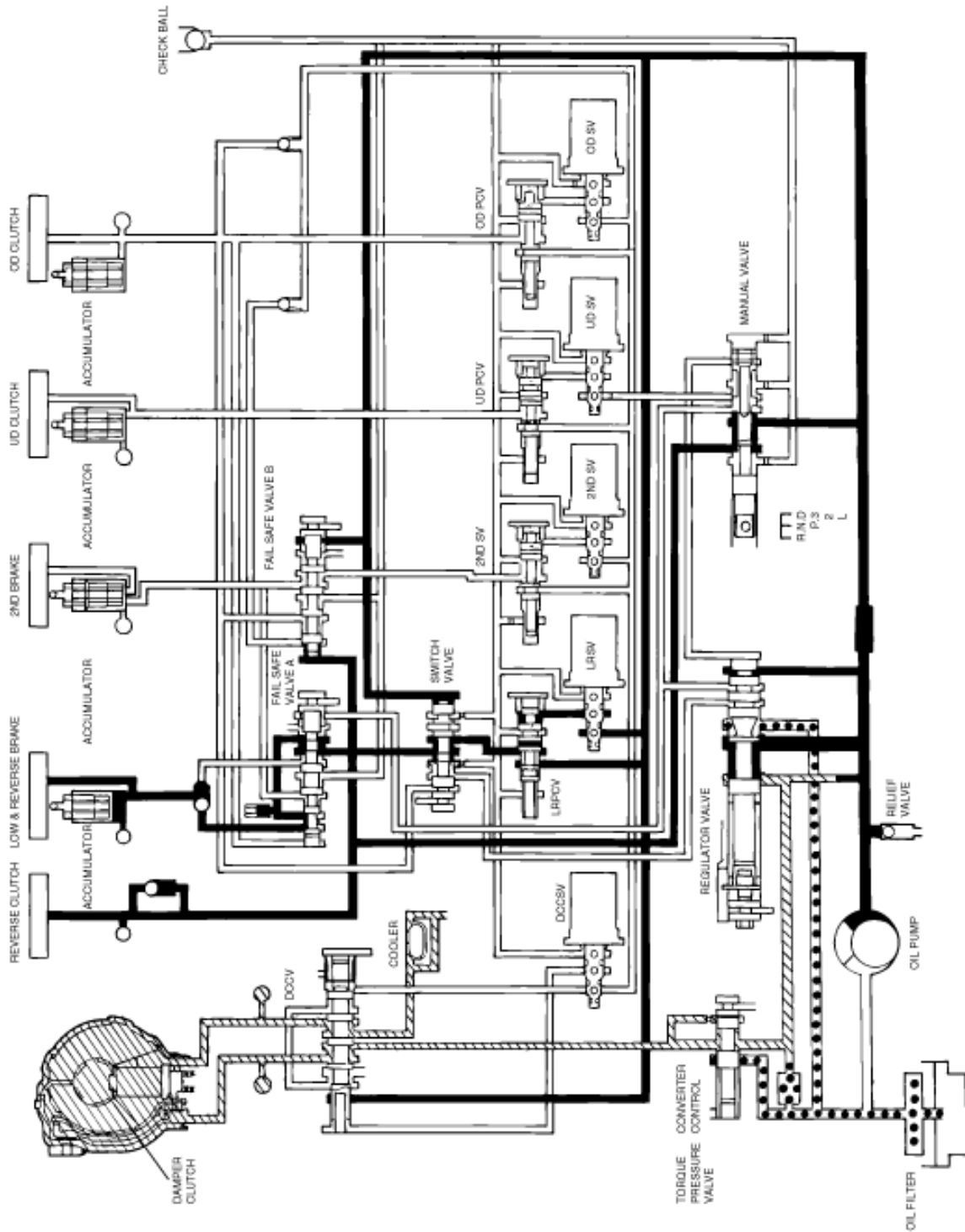







-  LINE PRESSURE
-  PUMP SUCTION PRESSURE
-  TORQUE CONVERTER AND LUBRICATION PRESSURE



-  LINE PRESSURE
-  PUMP SUCTION PRESSURE
-  TORQUE CONVERTER AND LUBRICATION PRESSURE



-  LINE PRESSURE
-  PUMP SUCTION PRESSURE
-  TORQUE CONVERTER AND LUBRICATION PRESSURE