



## REMOVAL AND INSTALLATION

### NOTE

- When removal and installing the front bumper, an assistant is necessary.
- Take care not to damage the front bumper and body.
- Put on gloves to protect your hands.

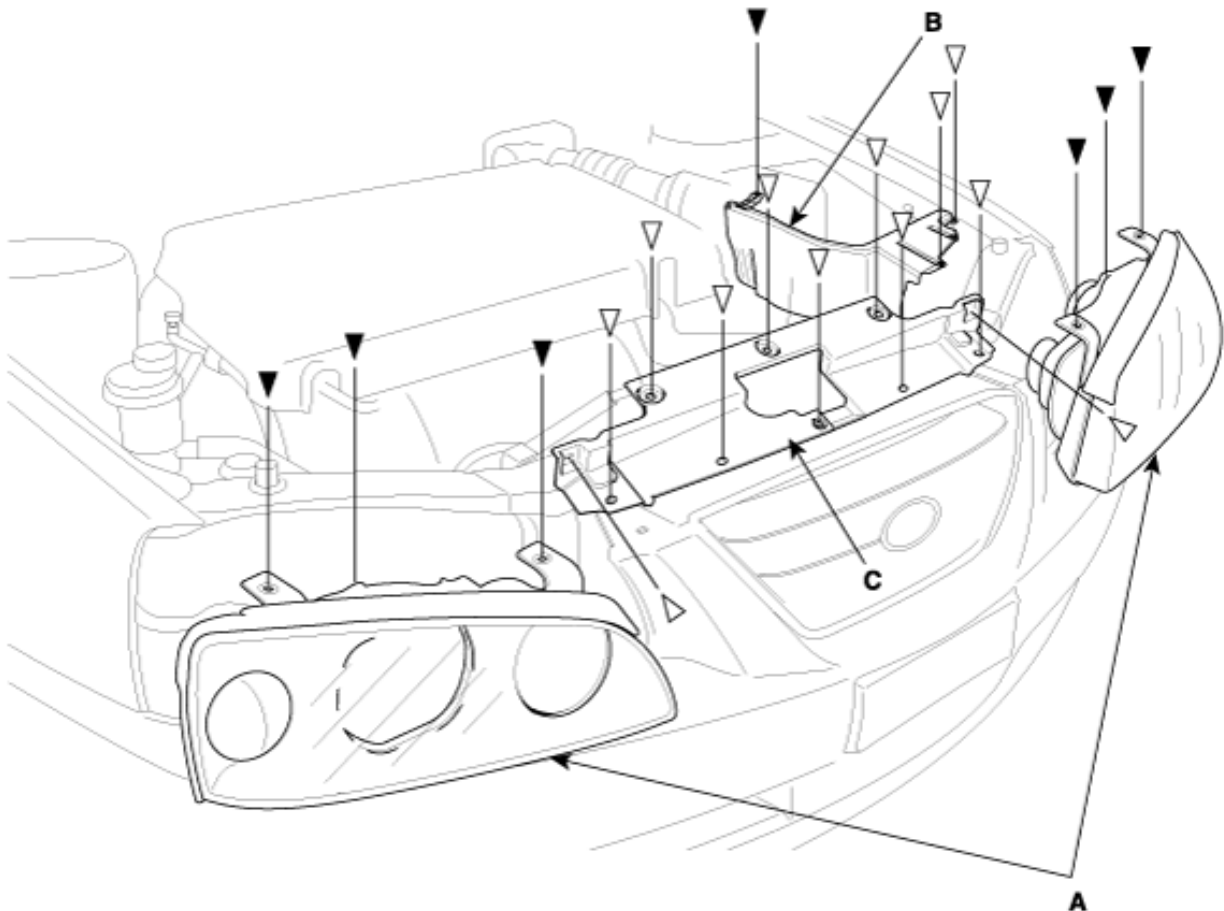
1. Remove the headlamp (A), battery cover (B) and radiator guard (C).

### Fastener Locations

▶ : Bolt, 7

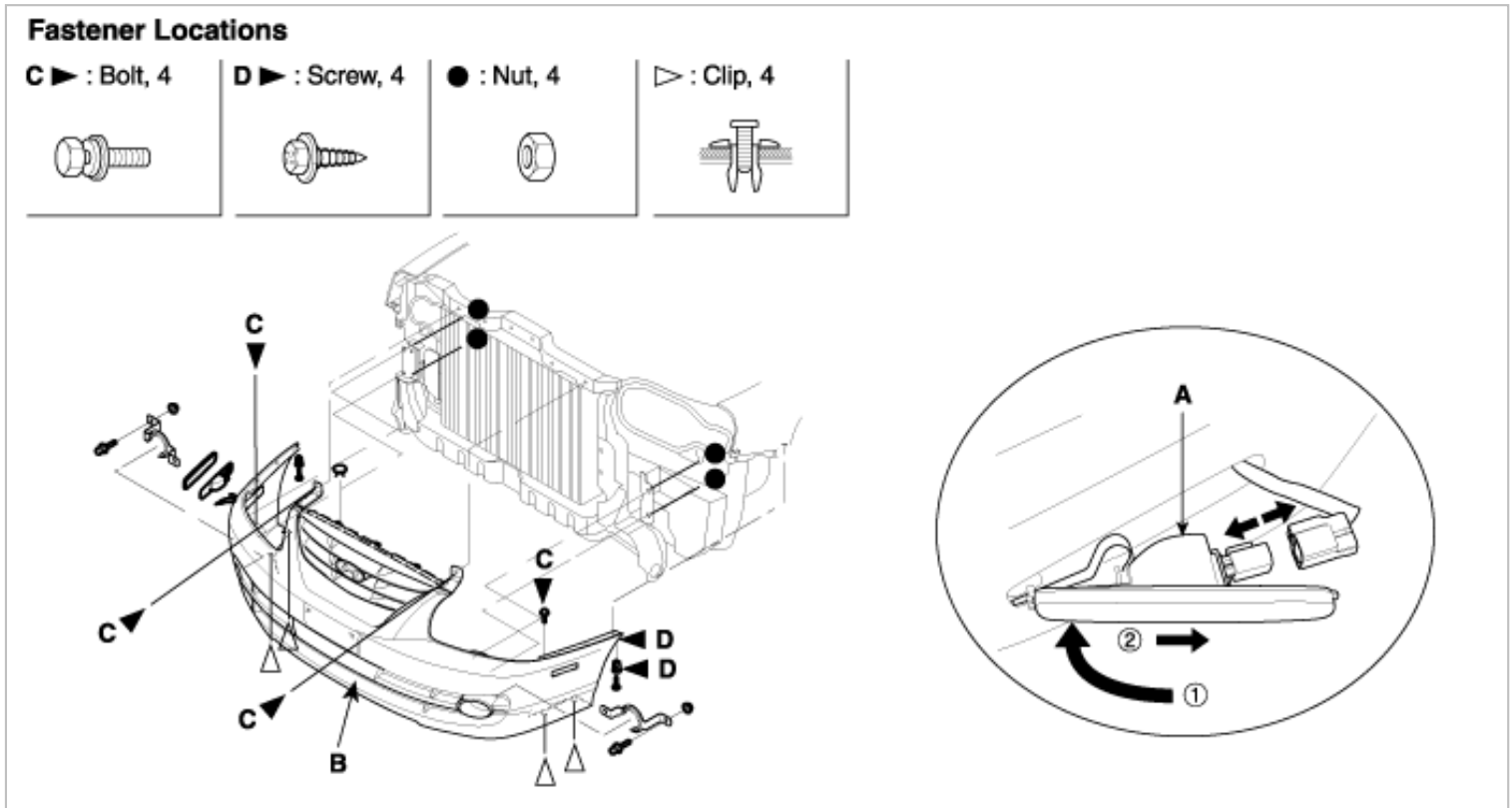


▷ : Clip, 12

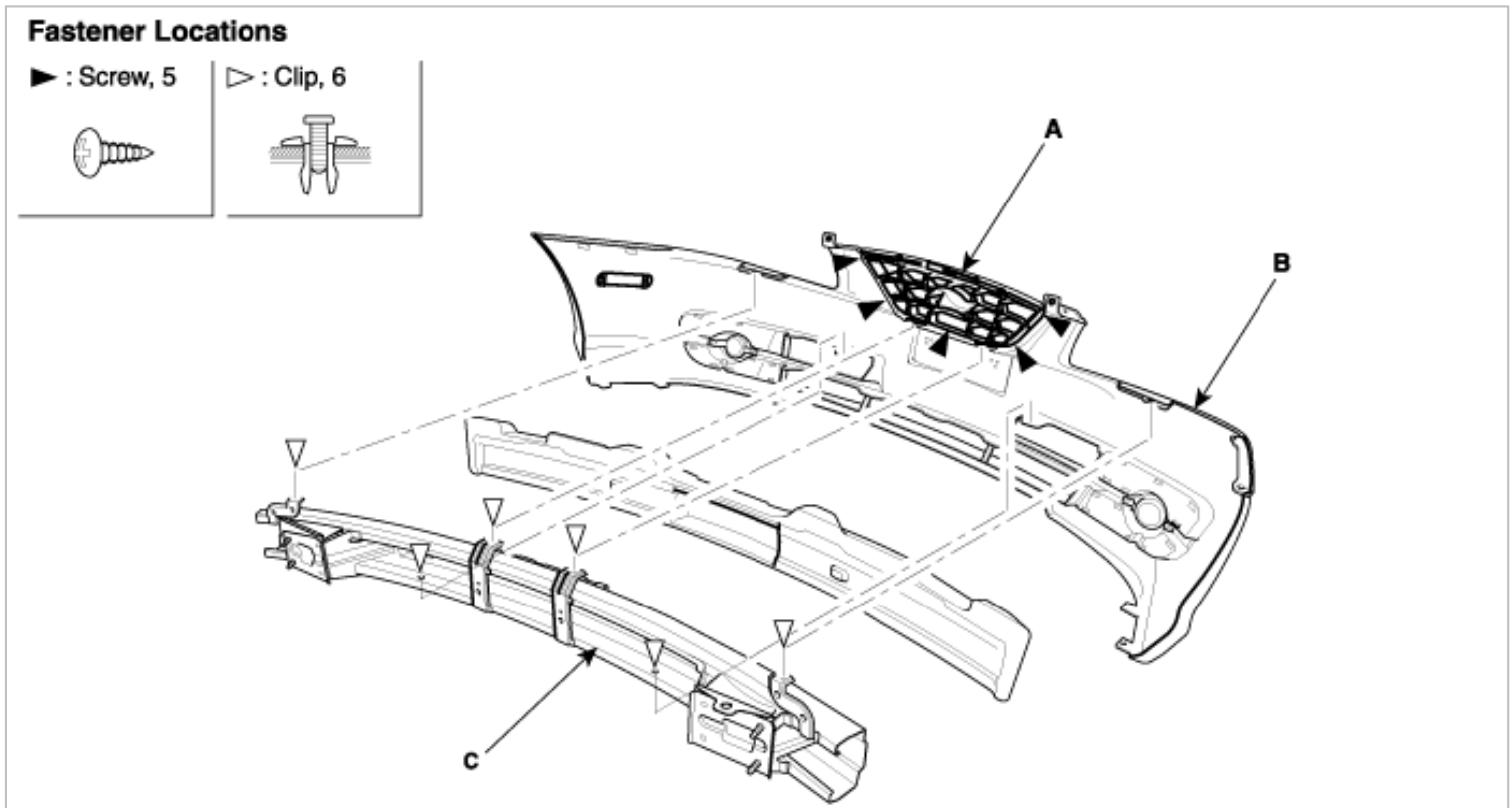


2. Remove the side mark lamp (A).

3. Remove the front bumper (B).



4. After removing the radiator grille (A), disconnect the cover (B) and rail (C).



5. Installation is the reverse of removal.