



REPLACEMENT

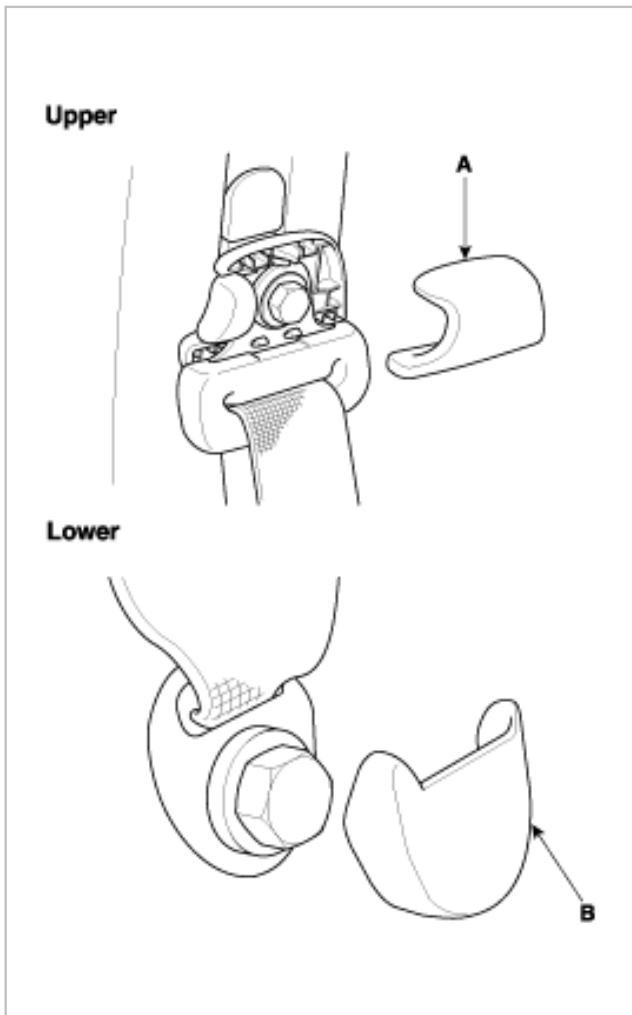
FRONT SEAT BELT REPLACEMENT

NOTE

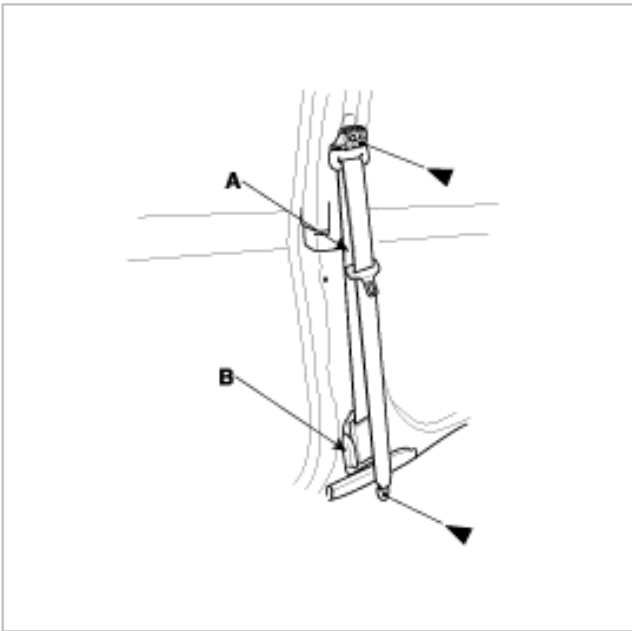
Check the front seat belts for damage, and replace them if necessary. Be careful not to damage them during removal and installation.

Front Seat Belt

1. Slide the front seat forward fully.
2. Remove the following items:
 - A. Front door scuff trim (see page BD- 63).
 - B. Rear door scuff trim (see page BD- 63).
 - C. Center pillar lower trim (see page BD- 63).
3. Remove the upper anchor cover (A), and pull the lower anchor cover (B) back.

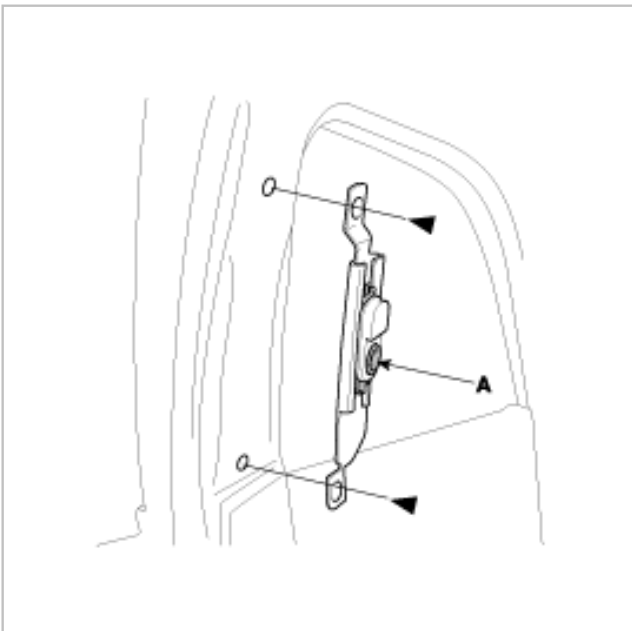


4. Remove the front seat belt (A) and retractor (B).



5. Remove the center pillar upper trim (see page BD- 63).

6. Remove the shoulder anchor adjuster (A).

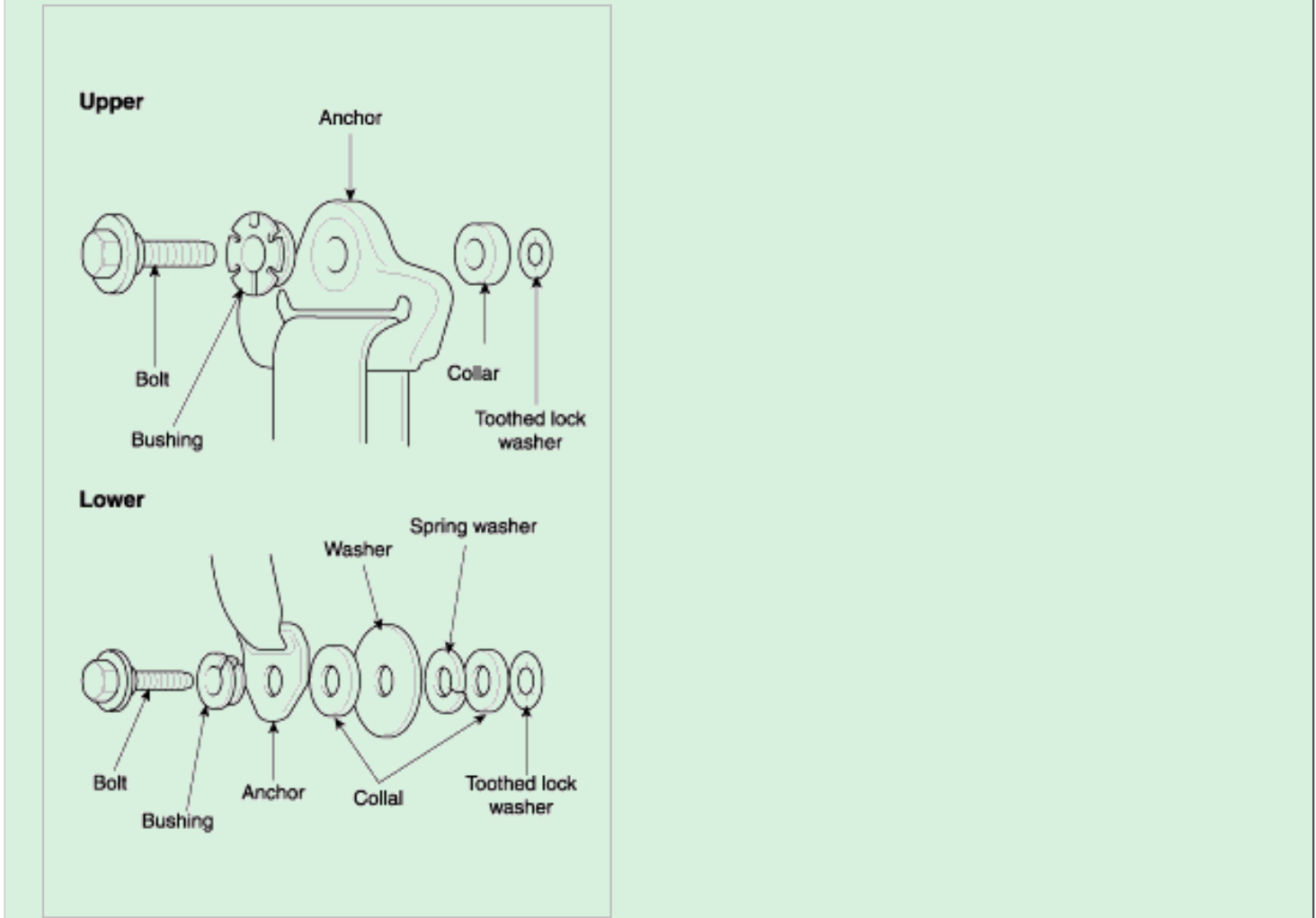


7. Installation is the reverse of removal.

NOTE

- Apply liquid thread lock to the upper anchor bolt before reinstallation.
- Check that the retractor locking mechanism functions as described (see page RT-).
- Assemble the washers, collar and bushing on the upper and lower anchor bolts as shown.
- Before installing the anchor bolts, make sure there are no twists or kinks in the front seat belt.

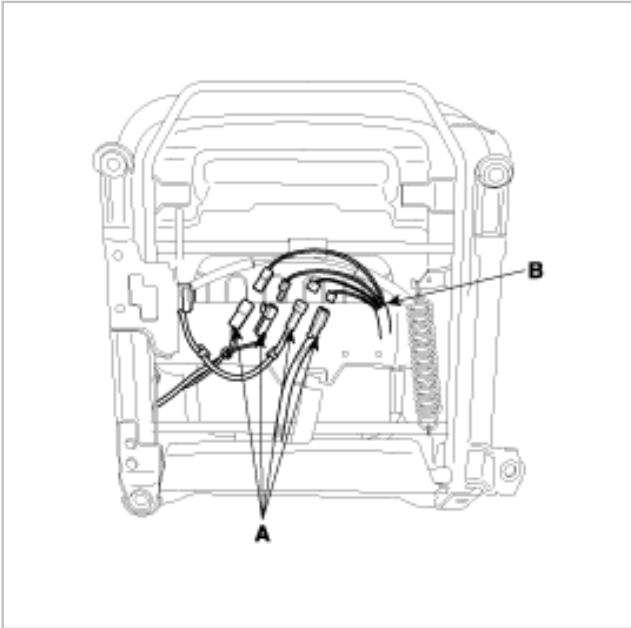
Upper and lower anchor bolt construction



Seat Belt Buckle

1. Remove the front seat (see page BD- 84).
2. Remove the recline cover (see page BD- 85).

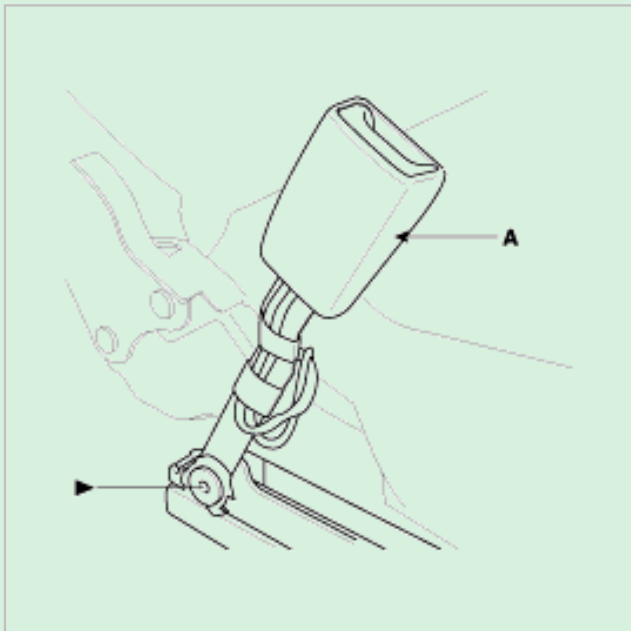
3. On a driver's seat with side airbag, disconnect and/or detach the seat belt switch connector(A) and clip and harness clips (B).



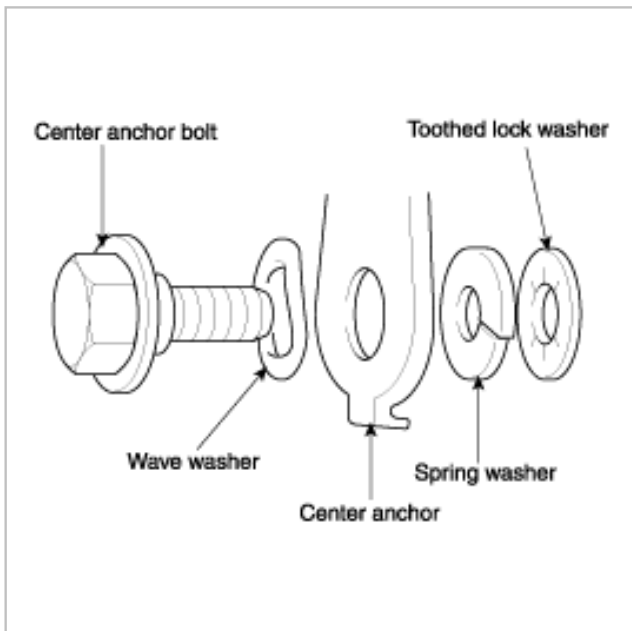
4. Remove the center anchor bolt, and remove the seat belt buckle (A).

NOTE

- The power height adjustable seat is shown, the manual seat, and the manual height adjustable seat are similar.



5. Installation is the reverse of removal. Assemble the washers on the center anchor bolt as shown.



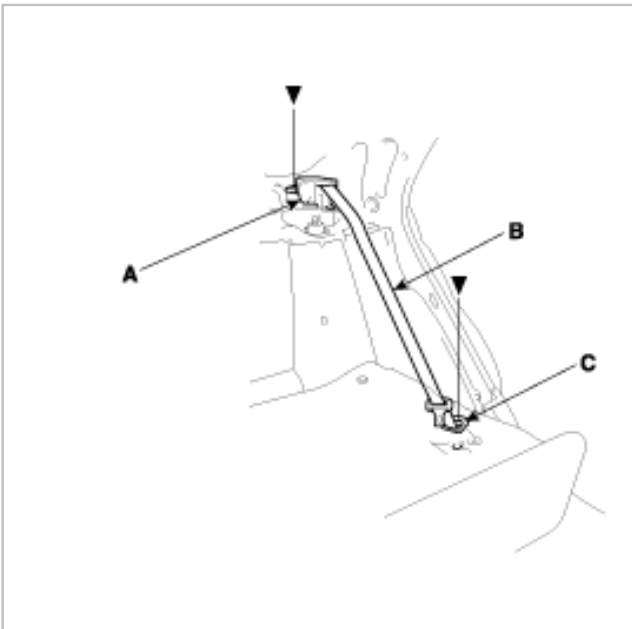
REAR SEAT BELT REPLACEMENT

NOTE

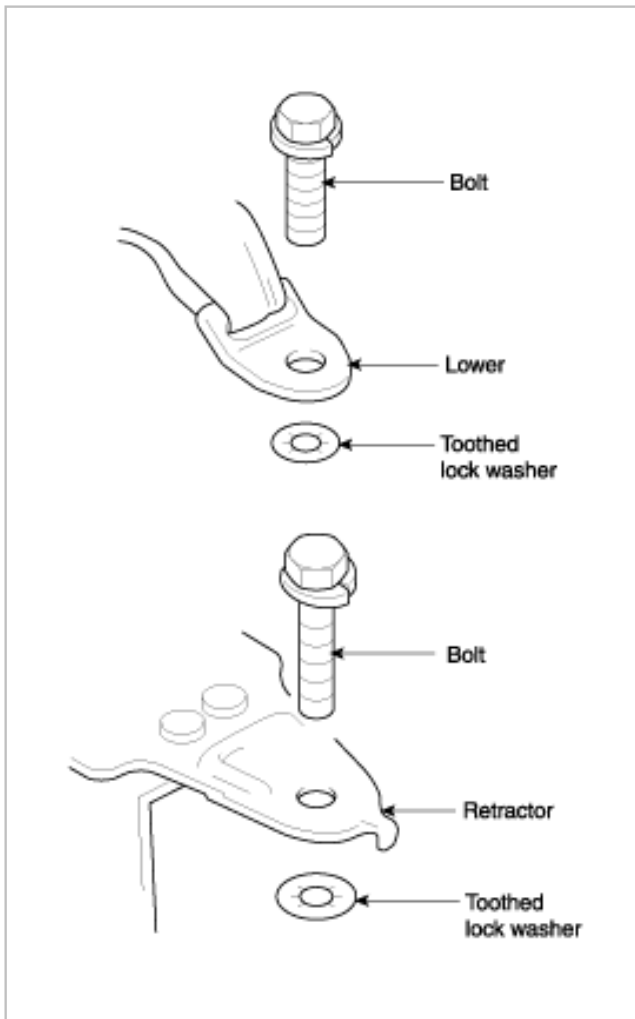
-Check the rear seat belts for damage, and replace them if necessary. Be careful not to damage them during removal and installation.

Rear Seat Belt

1. Remove the following items:
 - A. Rear seat cushion (see page BD- 89).
 - B. Rear seat side pad, both sides (see page BD- 89).
 - C. Rear pillar trim, both sides (see page BD- 63).
 - D. Rear package tray (see page BD- 64).
2. Remove the center anchor bolt of the center belt.
3. Remove the lower anchor bolt (A), retractor bolt, and remove the rear seat belt (B), and retractor (C).



Retractor and lower anchor bolt construction.



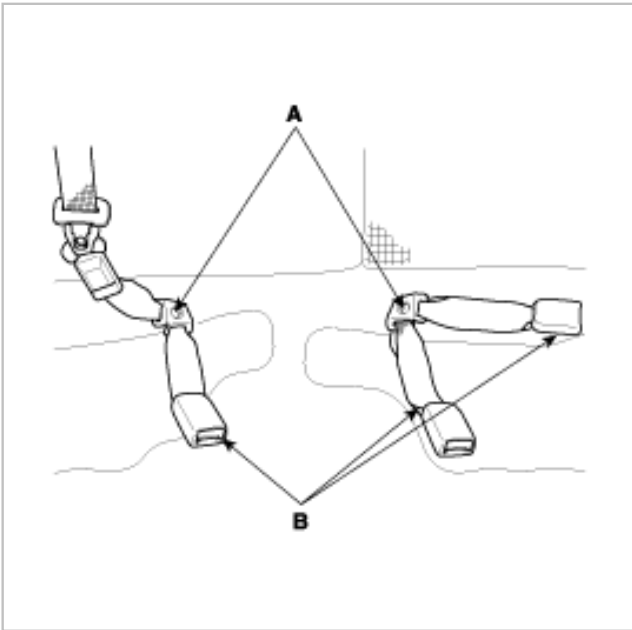
4. Installation is the reverse of removal.

NOTE

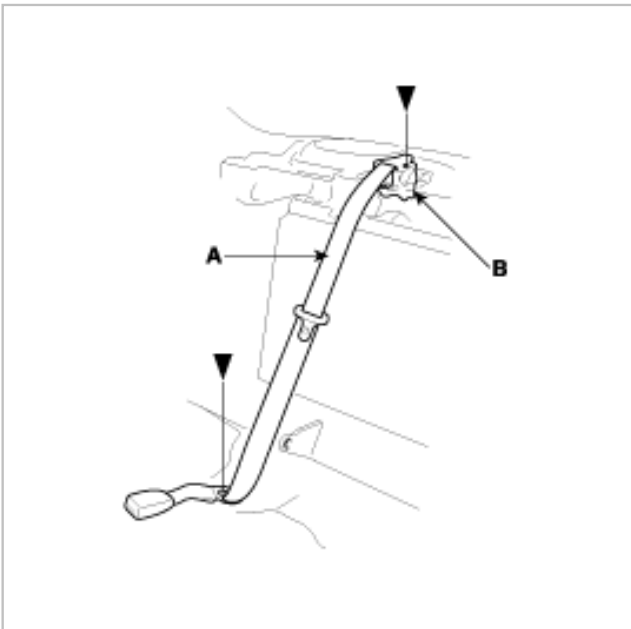
- If the threads on the retractor mounting ET screw are worn out, use an oversized ET screw made specifically for this application.
- Check that the retractor locking mechanism functions as described.
- Before installing the anchor bolt, make sure there are no twists or kinks in the rear seat belt.

Center Belt and seat Belt Buckles

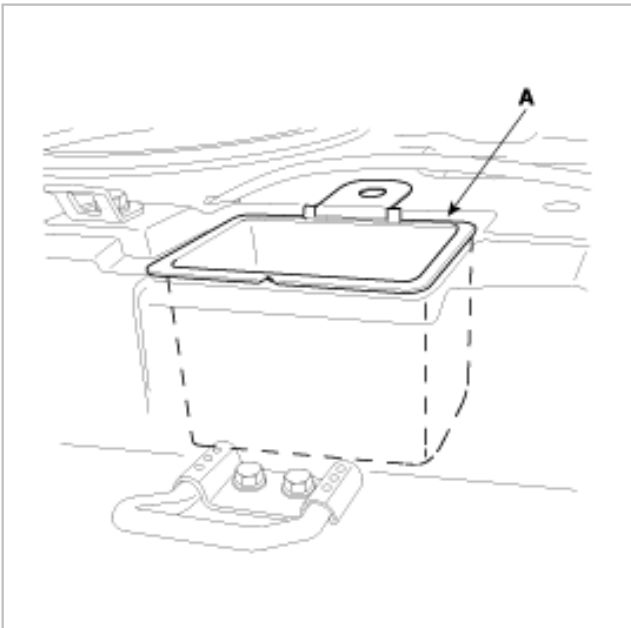
1. Remove the rear seat cushion and rear seat side pad, both sides (see page BD- 89).
2. Remove the center anchor bolts (A), and remove the seat belt buckles (B).



3. Remove the following items:
 - A. Rear pillar trim, both sides (see page BD- 63).
 - B. Real package tray (see page BD- 64).
4. Remove the retractor mounting bolt, and the retractor bolt, then remove center belt (A) and retractor (B).



5. Remove the protector (A).



6. Installation is the reverse of removal.

NOTE

- If the threads on the retractor mounting ET screw are worn out, use an oversized ET screw made specifically for this application.
- Check that the retractor locking mechanism functions properly (see page BD-).
- Assemble the washers on the center anchor bolt as shown.
- Before installing the center anchor bolt, make sure there are no twists or kinks in the center belt.

Retractor and center anchor bolt construction.

