



## REPLACEMENT

### HOOD REPLACEMENT

#### NOTE

- When removing and installing the hood, an assistant is necessary.
- Take care not to damage the hood and body.
- When removing the clips, use a clip remover.

1. Disconnect the windshield washer nozzle (A) connecting tube (B) and clip (C).
2. After loosening the hood hinge (D) mounting bolts, remove the hood (E).
3. Installation is the reverse of removal.

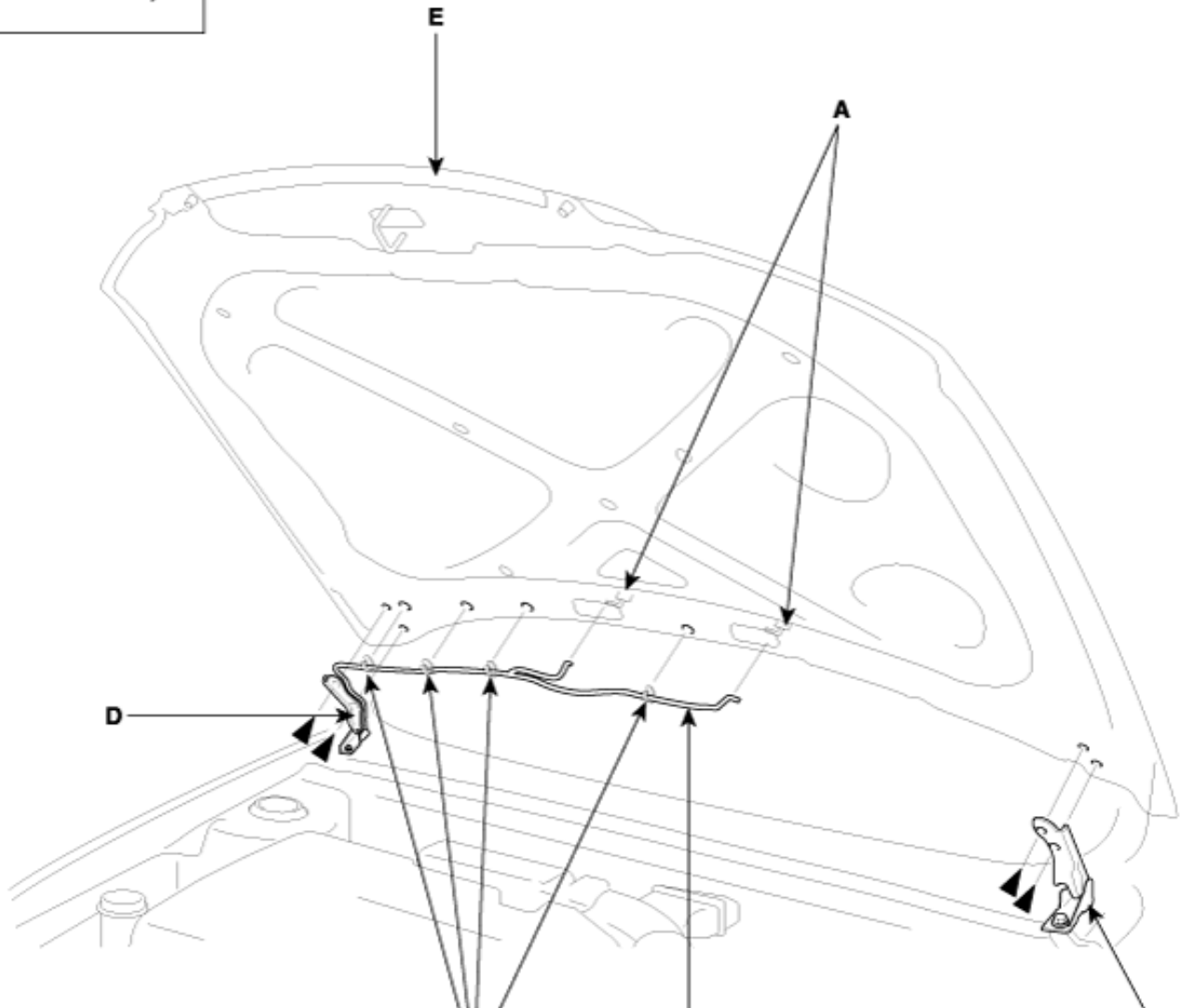
#### NOTE

- Make sure the hood opens properly and locks securely.
- Adjust the hood alignment (See page BD - 12).

► : Bolt locations, 4



**22~27 Nm**  
**(220~270 kgf-cm,**  
**16~19.5 lbf-ft)**



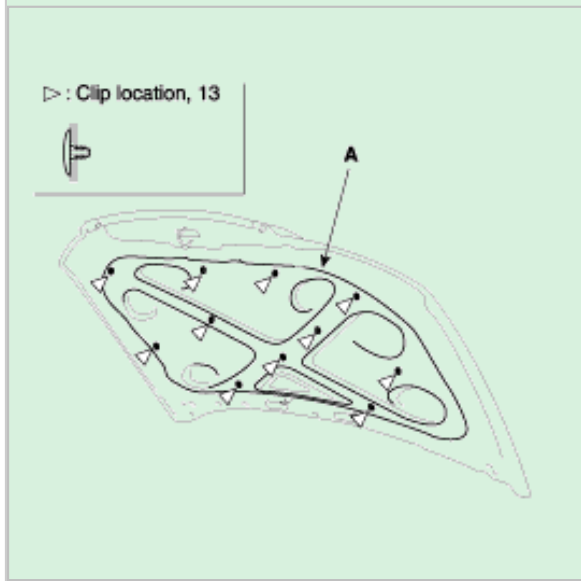


## HOOD INSULATOR REPLACEMENT

1. Using a clip remover, detach the clips, and remove the hood insulator (A).

### NOTE

Take care not to scratch the hood.



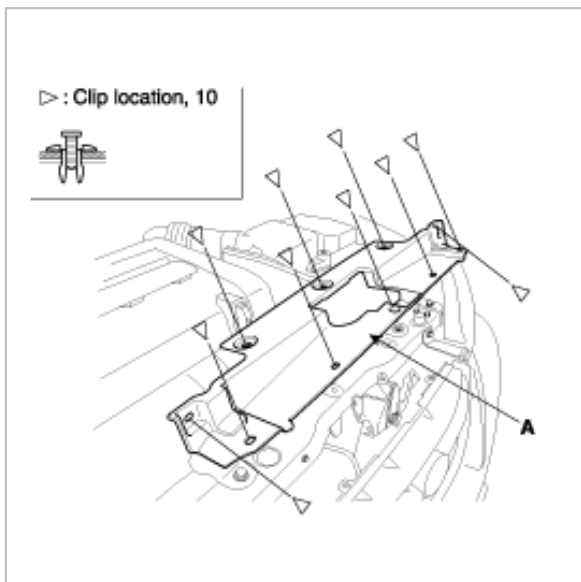
2. Installation is the reverse of removal.

### NOTE

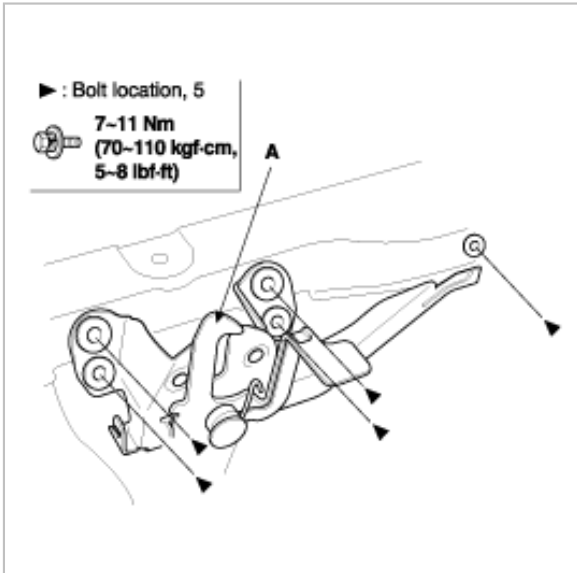
Replace any damaged clips.

## HOOD LATCH REPLACEMENT

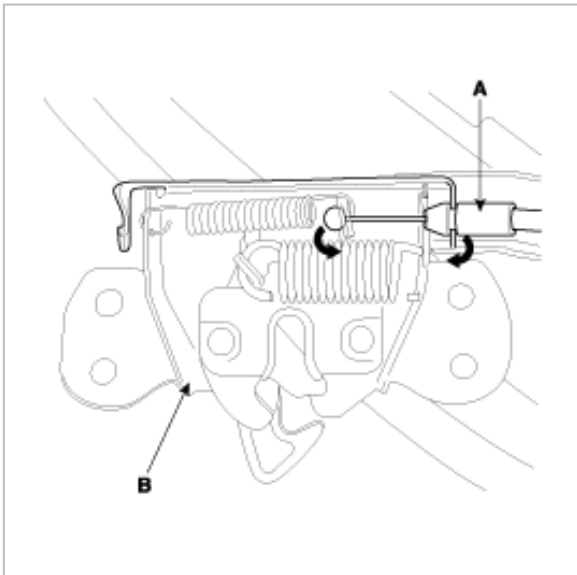
1. Remove the radiator guard (A).



2. Remove the hood latch (A) mounting bolts.



3. Disconnect the hood latch cable (A) remove the hood latch (B).



4. Installation is the reverse of removal.

#### NOTE

- Make sure the hood latch cable is connected properly.
- Make sure the hood locks securely.

## HOOD LATCH CABLE REPLACEMENT

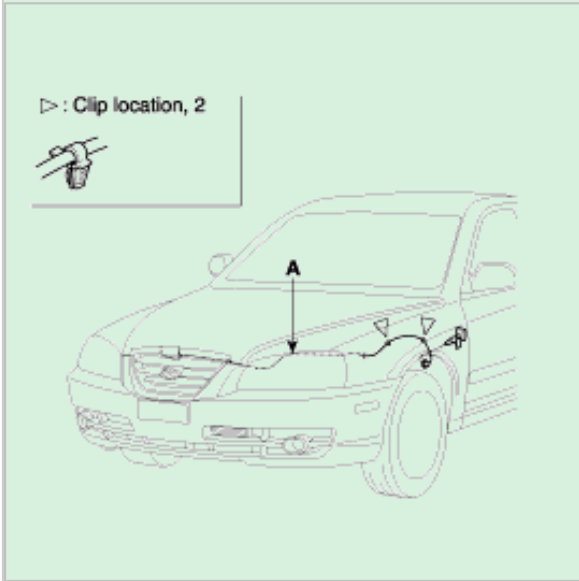
1. Remove the following items:

- A. Hood release handle (see page BD- 11).
- B. Radiator guard (see page BD- 9)
- C. Hood latch (see page BD- 9)
- D. Wheel guard (see page BD- 40)

- Using a clip remover, detach the clips from the body, then remove the hood latch cable (A) from the vehicle.

#### NOTE

Take care not to bend the cable.



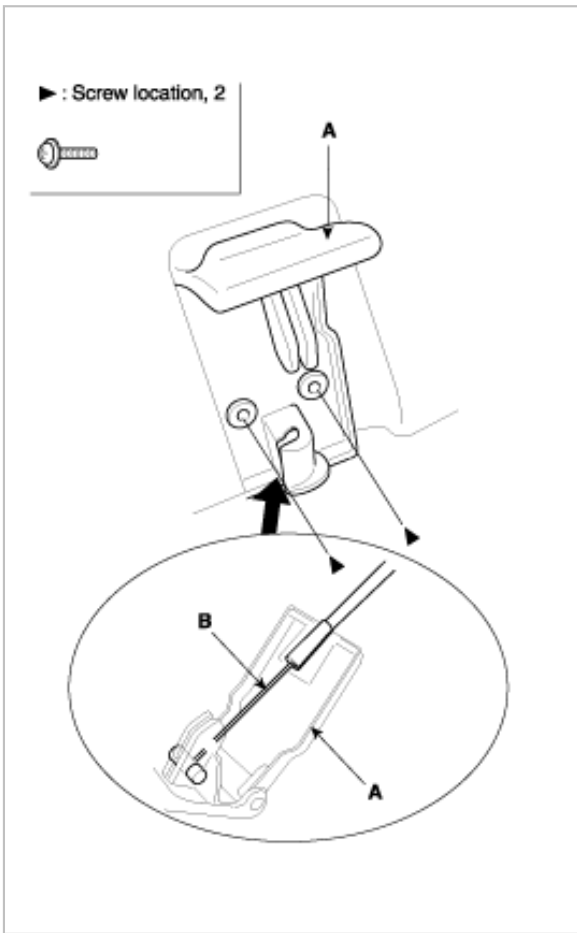
- Installation is the reverse of removal.

#### NOTE

- Make sure the hood latch cable is connected properly.
- Replace any damaged clips.

## HOOD RELEASE HANDLE REPLACEMENT

- Remove the screws, then remove the hood release handle (A).
- Disconnect the hood latch cable (B) from the hood release handle. Take care not to bend the cable.



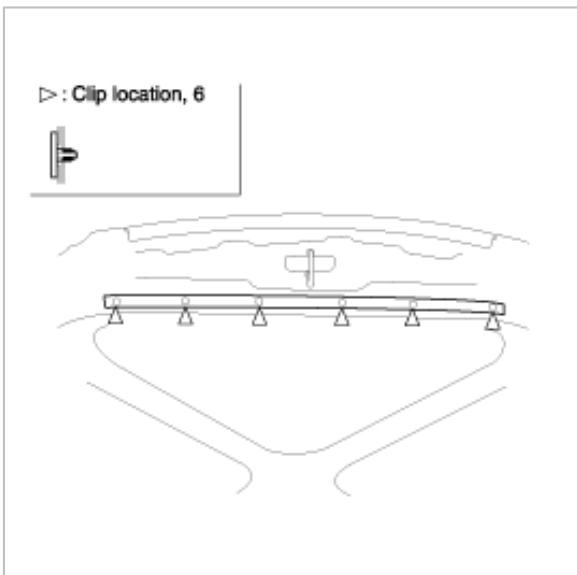
3. Installation is the reverse of removal.

#### NOTE

- Make sure the hood latch cable is connected properly.
- Make sure the hood opens properly.

## HOOD WEATHERSTRIP REPLACEMENT

1. Detach the clips, then remove the hood weathersrip (A). Take care not to scratch the hood.



2. Installation is the reverse of removal.

**NOTE**

-Replace any damaged clips.

**ADJUSTMENT**

**ADJUST HOOD**

1. After loosening the hood hinge mounting bolt (A), adjust the hood (B) by moving it up or down, or right or left.
2. Adjust the hood height by turning the hood overslam bumper (C).

