



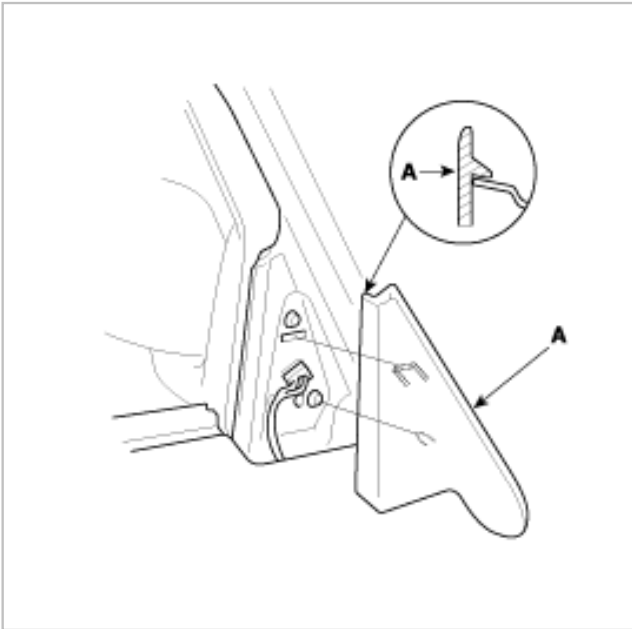
REPLACEMENT

OUTSIDE REARVIEW MIRROR REPLACEMENT

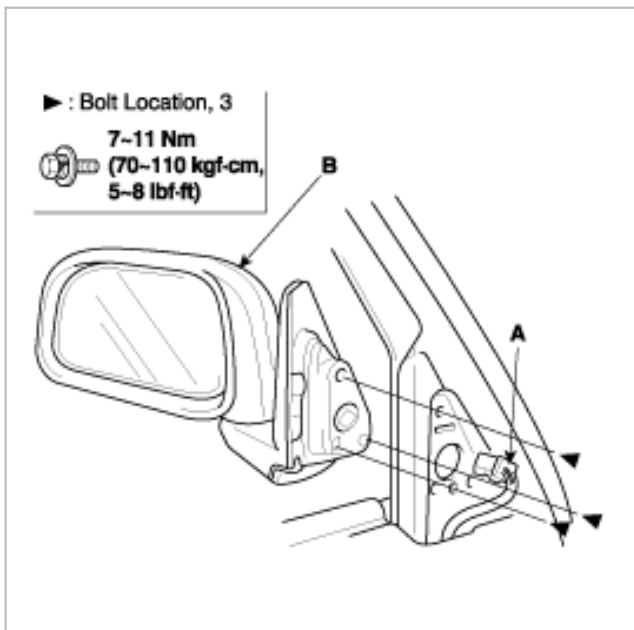
NOTE

Take care not to scratch the mirror and door.

1. Lower the door glass fully.
2. Carefully pry out the mirror cover (A) by hand.



3. Disconnect the connector (A), then remove the mirror mounting bolts while supporting the mirror (B).



4. Installation is the reverse of removal.

NOTE

Make sure the connector is connected properly.

INSIDE REARVIEW MIRROR REPLACEMENT

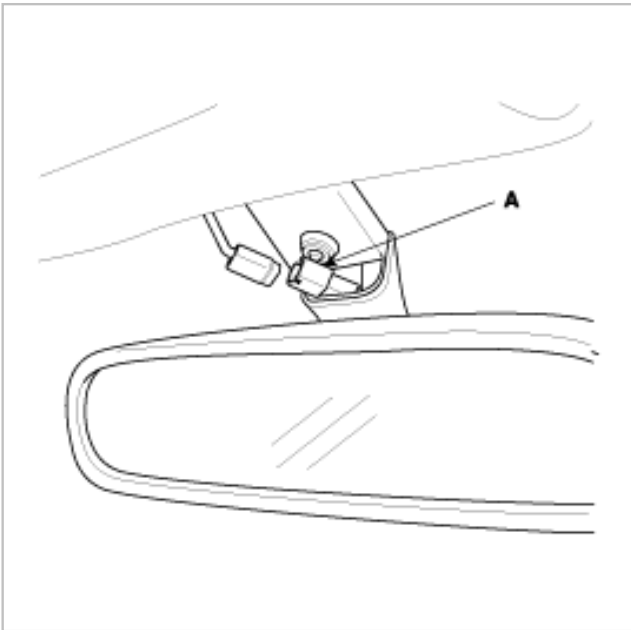
CAUTION

When prying with a flat-tip screwdriver, wrap it with a shop towel to prevent damage.

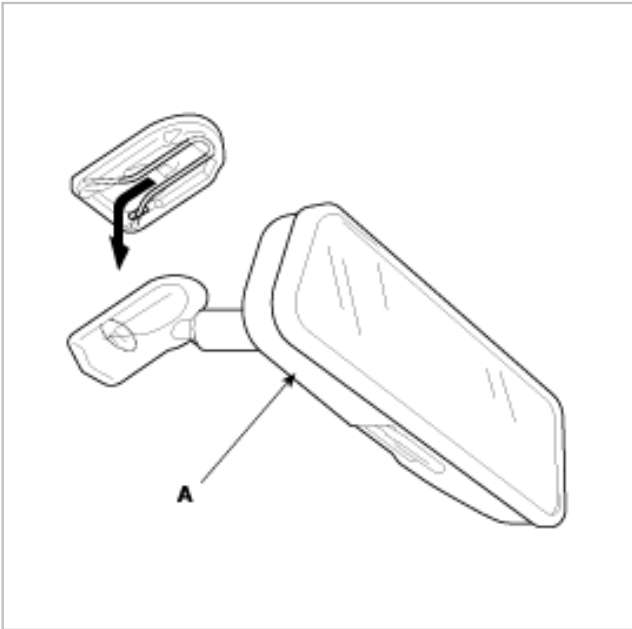
NOTE

Take care not to scratch the cover or tear the headliner.

1. Remove the cover using the end of a flat-tip screwdriver, and disconnect the connector (A) (If electronic mirror is installed).



2. Remove the rearview mirror (A).



3. Installation is the reverse of removal.