



REMOVAL AND INSTALLATION

1. Remove the rear seat.

NOTE

Take care not to scratch the body or tear the seat covers.

2. Installation is the reverse of removal.

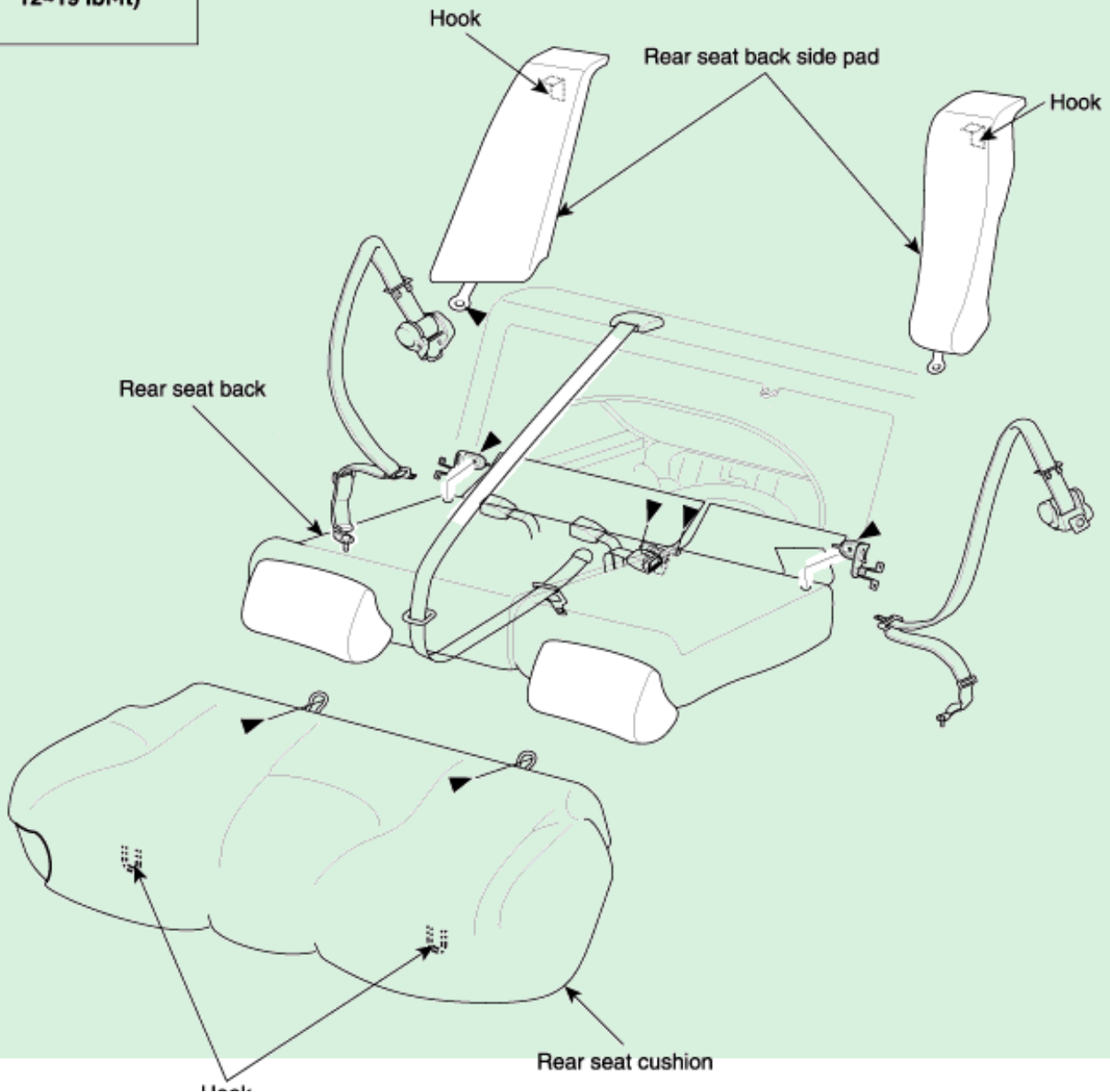
NOTE

- Before attaching the rear seat-back and cushion, make sure there are no twists or kinks in the rear seat belts and center belt.
- When installing the seat cushion, slip the seat belt buckles through the slits in the seat cushion.
- Make sure the seat-back locks securely.

▶ : Bolt



17~26 Nm
(170~260 kgf-cm,
12~19 lbf-ft)





Rear seat cushion

REPLACEMENT

REAR SEAT-BACK LATCH REPLACEMENT

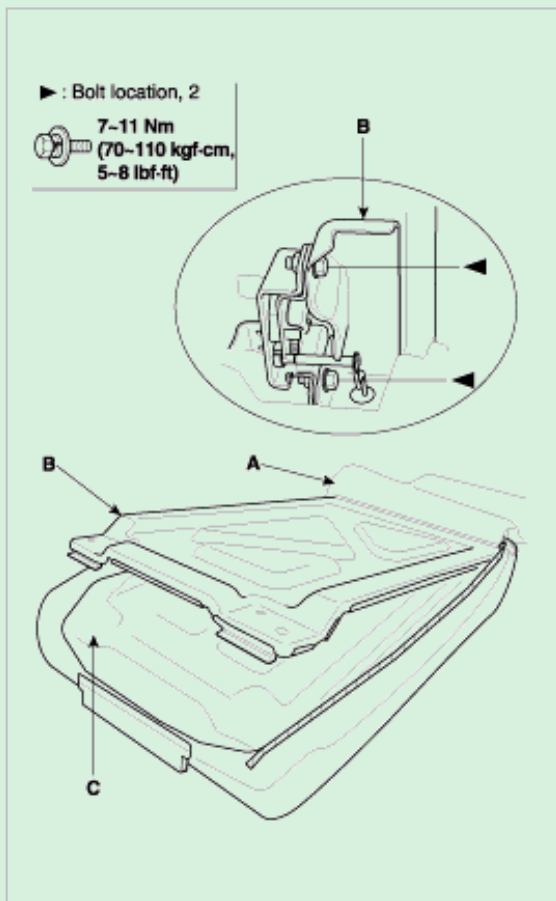
NOTE

- When prying with a flat-tip screwdriver, wrap it with protective tape to prevent damage.
- Take care not to bend or scratch the interior trim.

1. Remove these items:
 - A. Seat side bolster, both sides (see page BD- 89).
2. Keep the cover (A) open, then disconnect the frame (B) from the cushion (C).
3. Remove the bolts, then remove the seat-back latch (D).
4. Installation is the reverse of removal.

NOTE

- Make sure seat-back locks securely and opens properly.

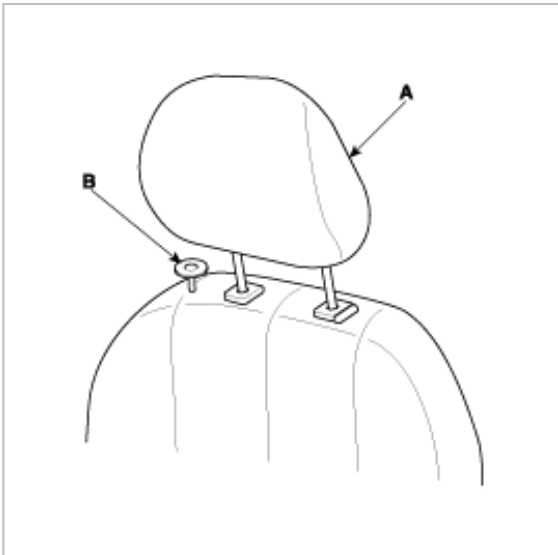


REAR SEAT BACK COVER REPLACEMENT

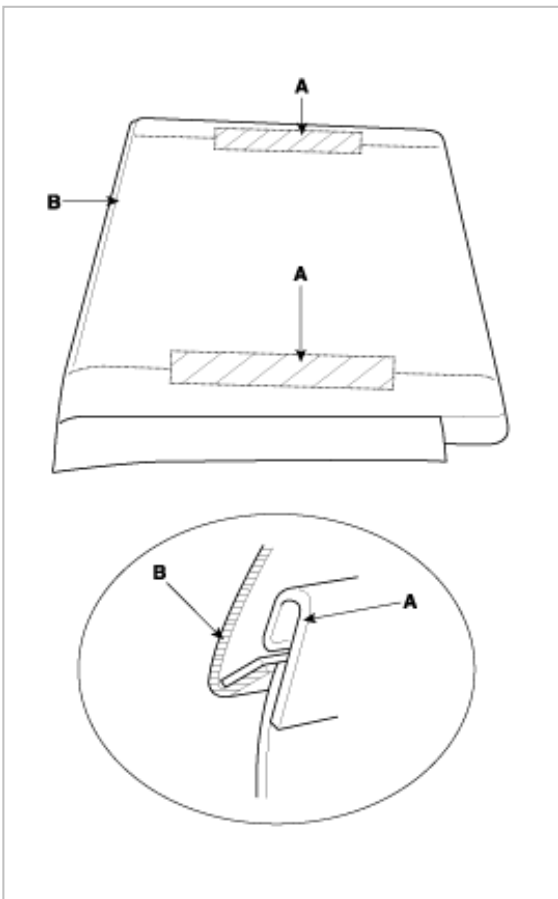
NOTE

- Take care not to tear the seams or damage the seat covers.
- Put on gloves to protect your hands.

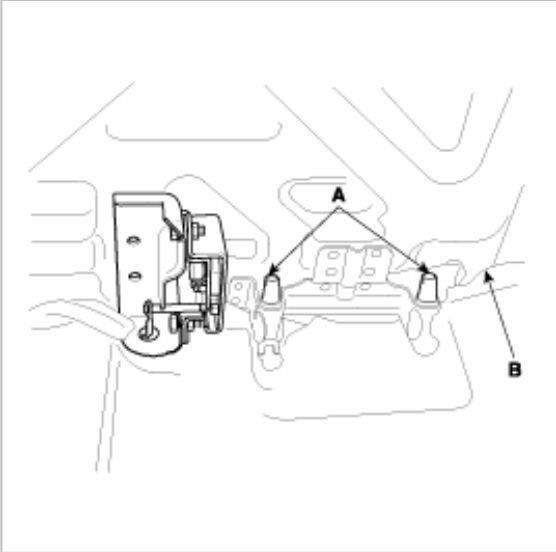
1. Remove the rear seat back (see page BD- 89).
2. Remove the headrest (A) and rear seat lock knob (B).



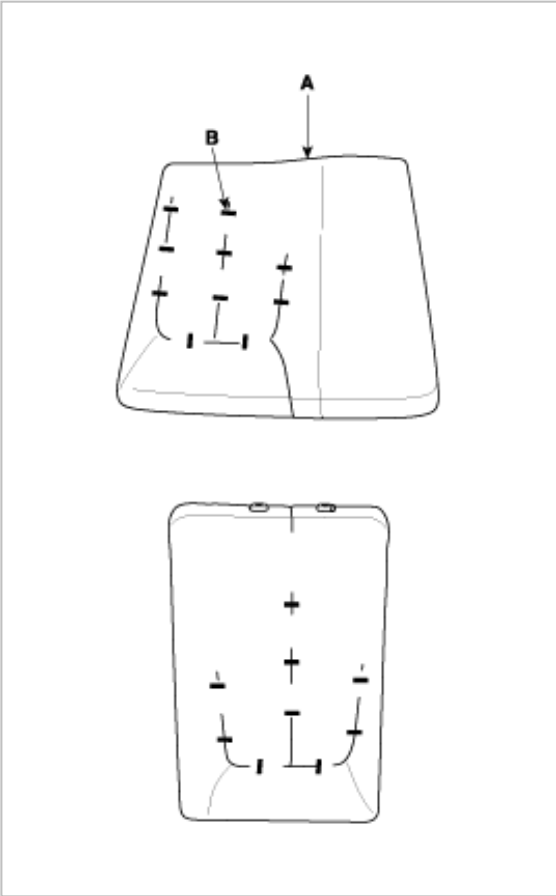
3. Release the hook strip (A) and fold back the seat back cover (B).



4. Disconnect the headrest guide (A), after raising the rear seat back frame (B).



5. Pull back the edge of the seat-back cover (A) all the way around, and release the clips (B), then remove the seat-back cover.



6. Installation is the reverse of removal.

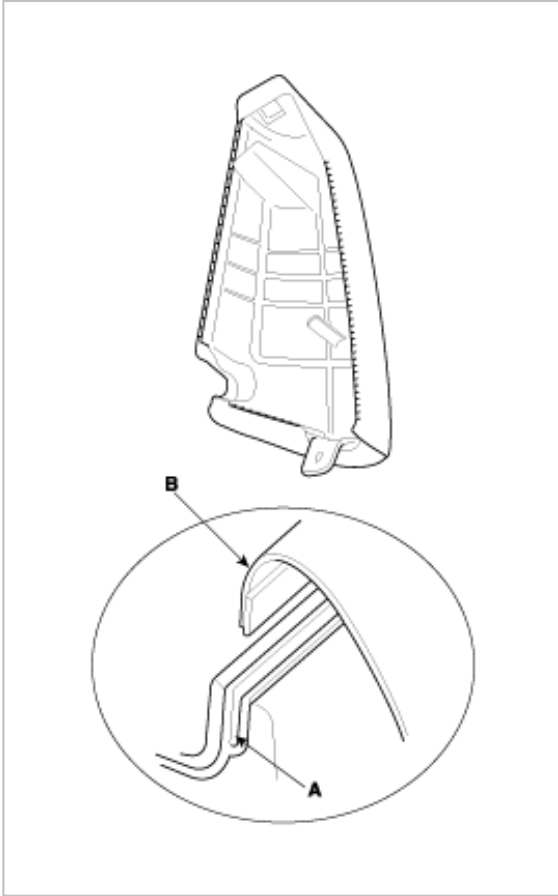
NOTE

- To prevent wrinkles when installing a seat-back cover, make sure the material is stretched evenly over the pad before securing the fasteners, hooks and clips.
- Replace the released clips with new ones.

REAR SEAT BACK SIDE PAD COVER REPLACEMENT

1. Remove the seat side bolster (see page BD- 89).

2. Release all the hook strips (A), fold back the seat side bolster cover (B), and remove it.

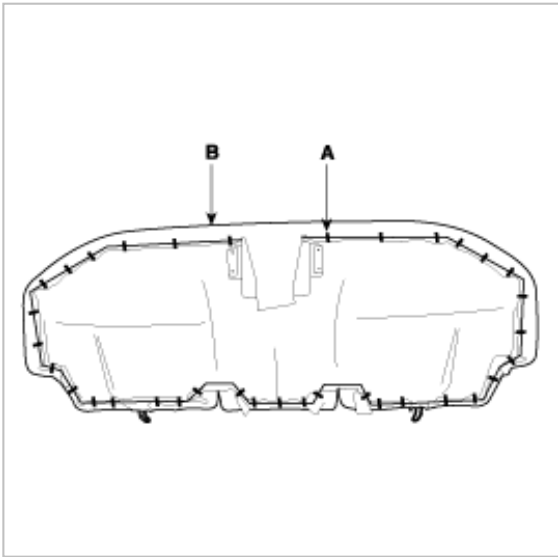


3. Installation is the reverse of removal.

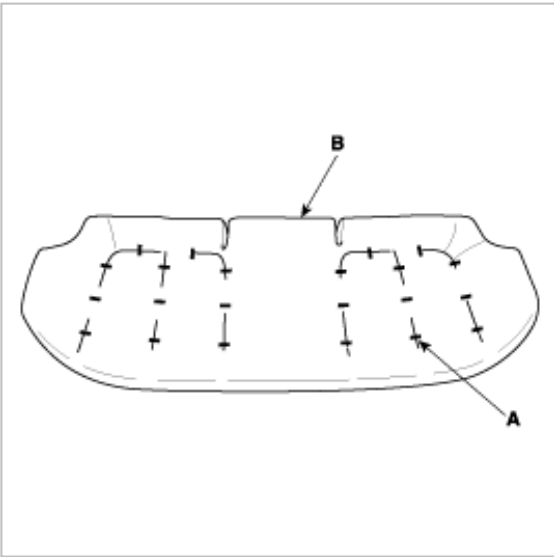
To prevent wrinkles, make sure the material is stretched evenly over the pad before securing the hook strips.

REAR SEAT CUSHION COVER REPLACEMENT

1. Remove the seat cushion (see page BD- 89).
2. Release all the clips (A) from under the seat cushion, and fold back the seat cushion cover (B).



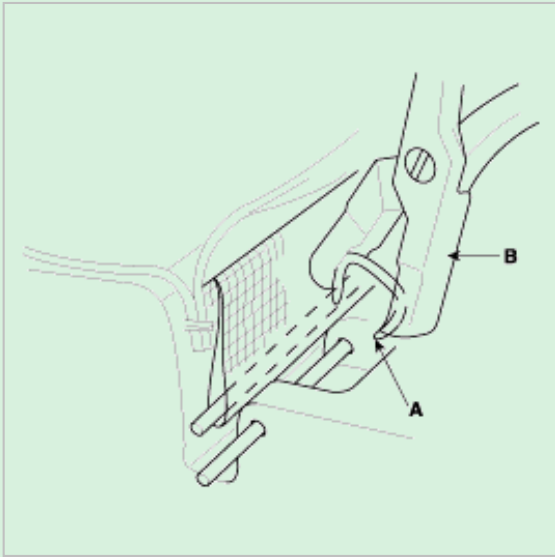
3. Pull back the edge of the seat cushion cover all the way around, and release the clips (A), then remove the seat cushion cover. On a leather seat cover (B), there are no fasteners.



4. Installation is reverse of removal.

NOTE

- To prevent wrinkles, make sure the material is stretched evenly over the pad before securing the fasteners and clips.
- Replace the clips with new ones using commercially available upholstery ring pliers (B).



REAR CUP HOLDER REPLACEMENT

1. Remove the rear seat cushion (see page BD- 89).

2. Remove the cup holder (A).

