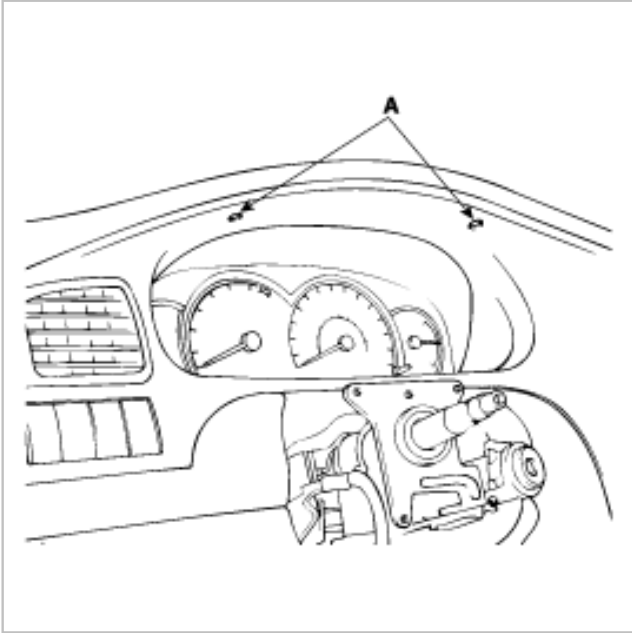


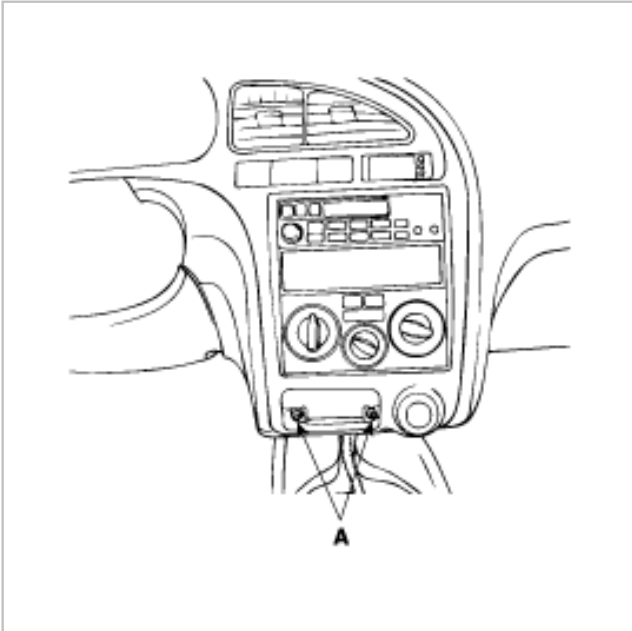


REMOVAL

1. Disconnect the negative(-) battery terminal.
2. Remove the 2 screws(A) holding the instrument facia panel.

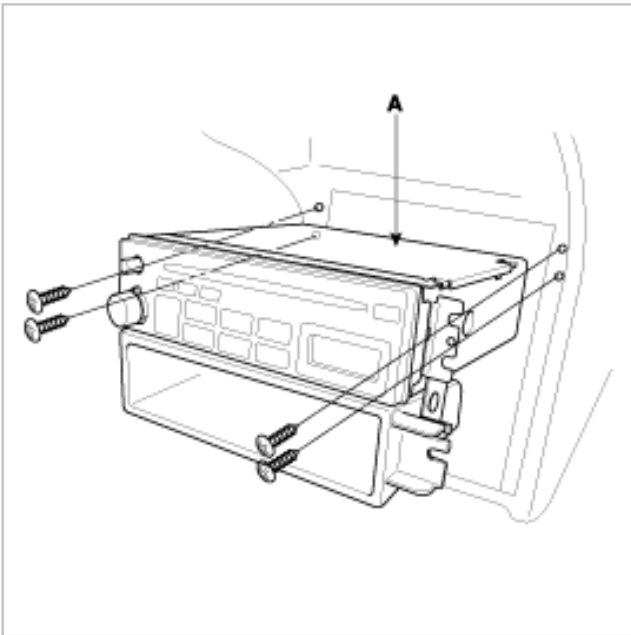


3. Open the ashtray then remove the ashtray assembly after pushing the plate down.
4. Remove the 2 screws(A) after removing the ashtray.



5. Disconnect the connectors from the instrument facia panel.

6. Remove the audio unit(A) after removing 4 screws.



7. Installation is the reverse of removal.

CD AUTO CHANGER

1. Disconnect the negative(-) battery terminal.
2. Remove the CD auto changer from the left side of trunk room, after removing 4 bolts.
3. Installation is the reverse of removal.

INSPECTION

TAPE HEAD AND CAPSTAN CLEANING

1. To obtain optimum performance, clean the head(A), and capstan(B) as often as necessary, depending on frequency of use and tape cleanliness.
2. To clean the tape head and capstan, use a cotton swab dipped in ordinary rubbing alcohol. Wipe the head(A) and capstan(B).

