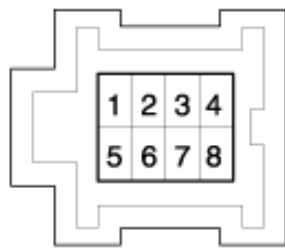
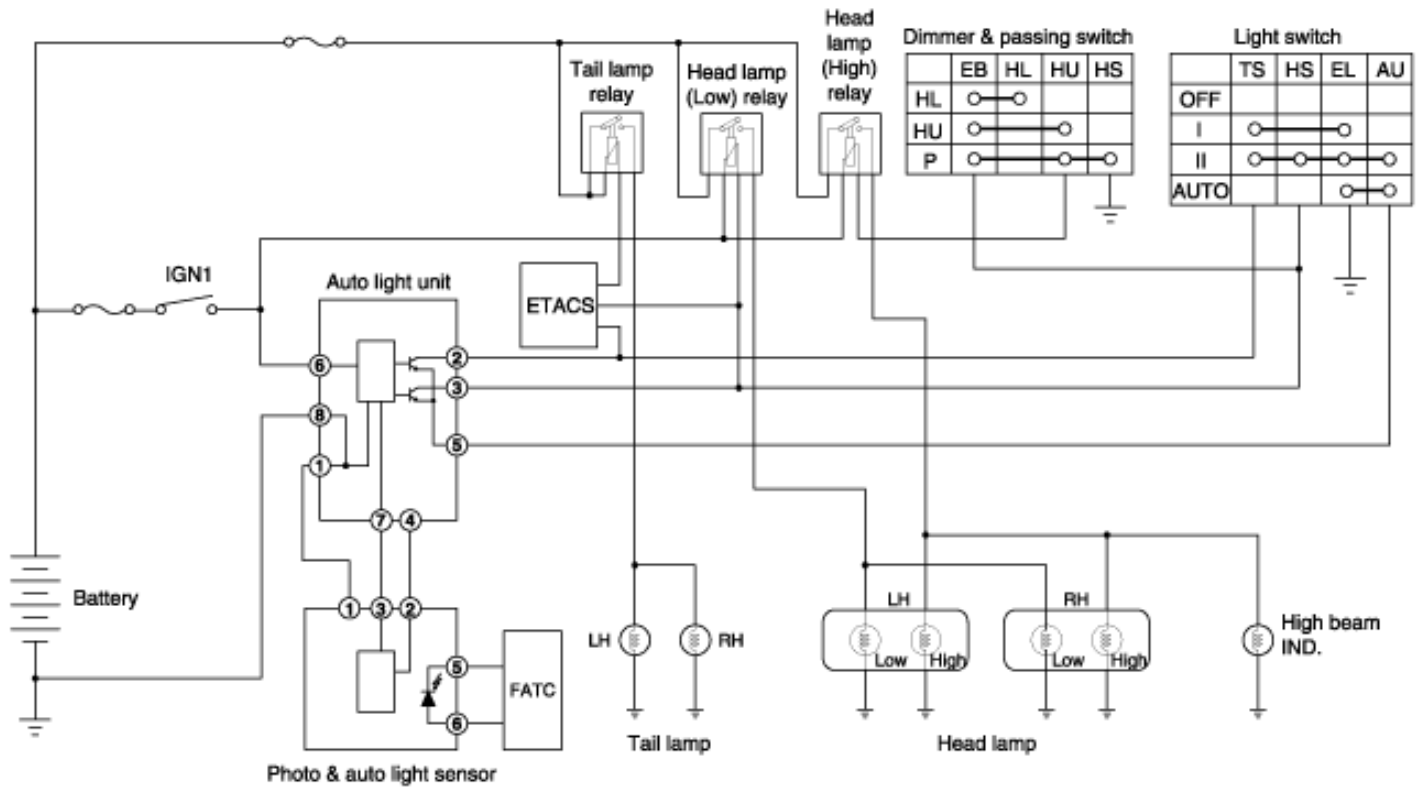
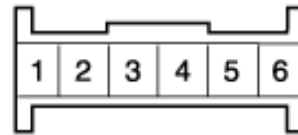




CIRCUIT DIAGRAM



[Auto light unit side connector]



[Photo & auto light sensor side connector]

- 1. Sensor ground
- 2. Tail lamp relay
- 3. Head lamp relay
- 4. Sensor power
- 5. Auto light switch
- 6. IGN 1
- 7. Signal input
- 8. Ground

- 1. Sensor ground
- 2. Sensor power
- 3. Signal
- 5. Photo (+)
- 6. Photo (-)