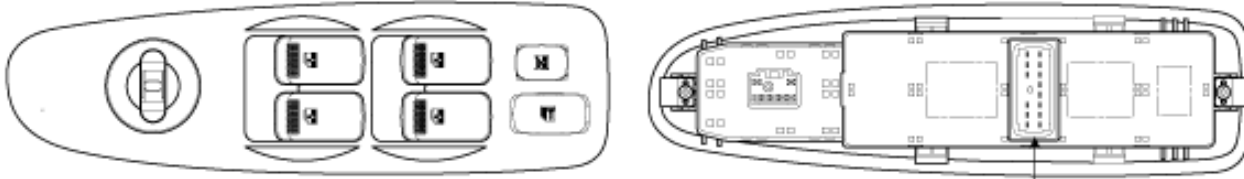


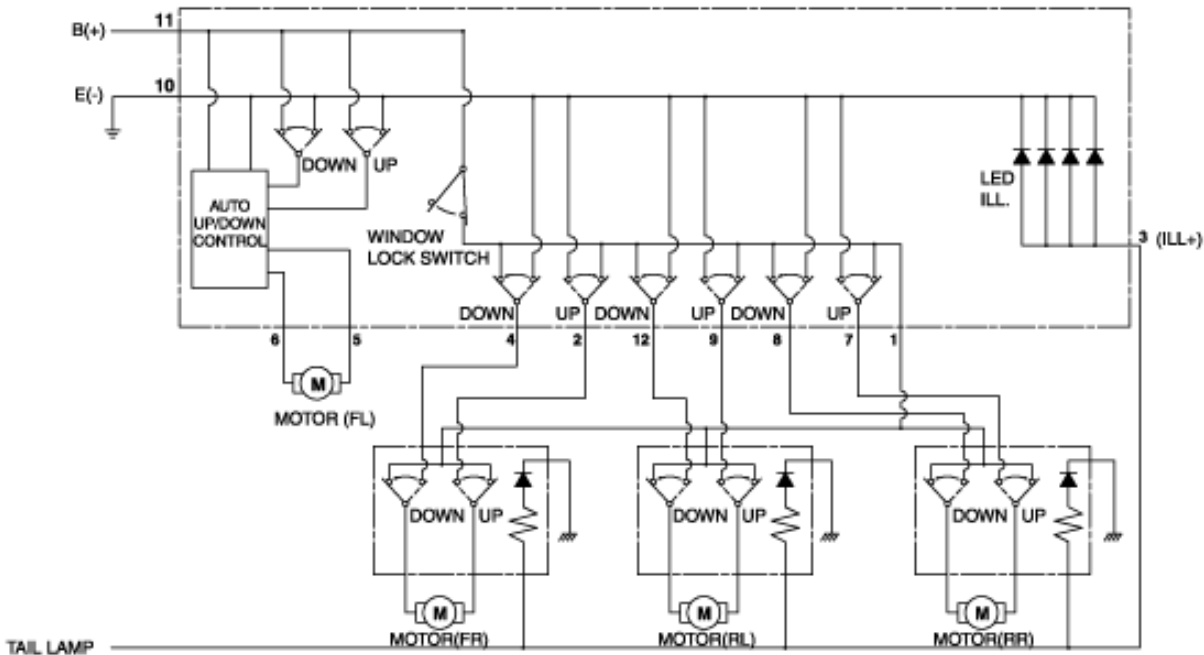


# CIRCUIT DIAGRAM

## [ Power window main switch ]



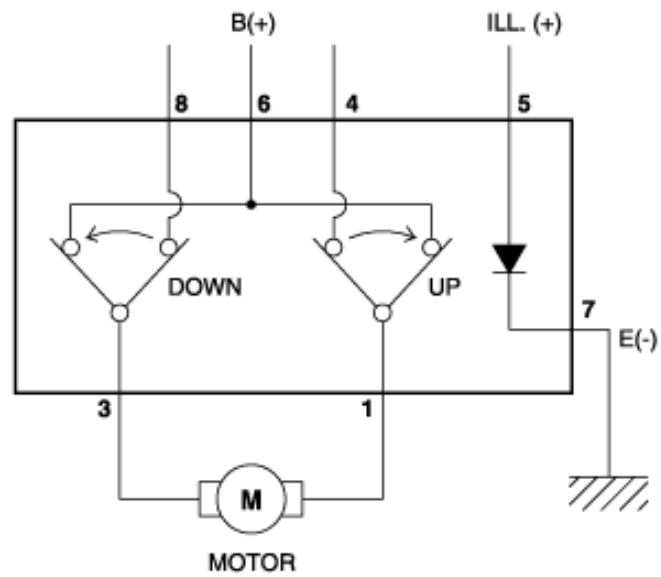
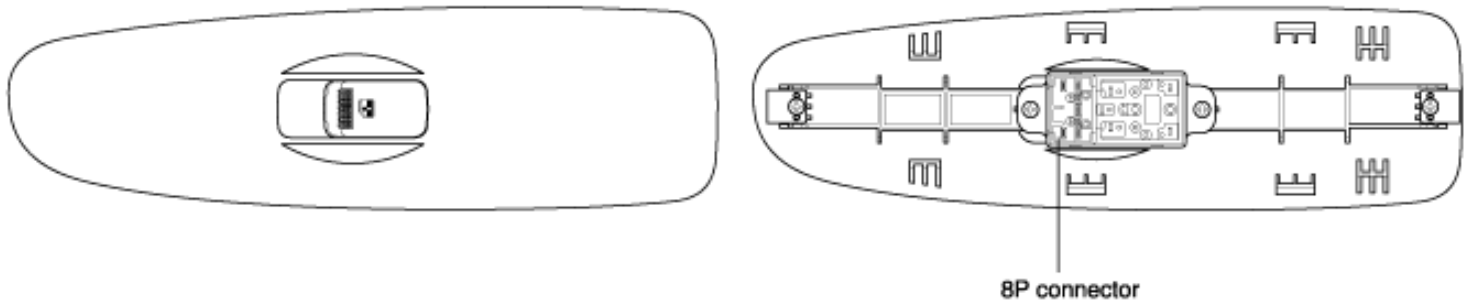
[D05]



[D05]

1	2	3	X	4	5	6
7	8	9	10	11	12	13
						14

### [ Power window sub switch ]



KTDD004Q

1		2	3	
4	5	6	7	8