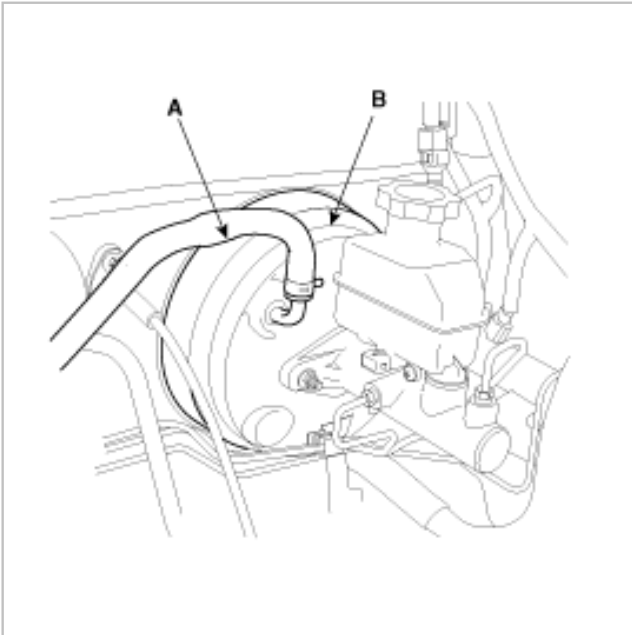


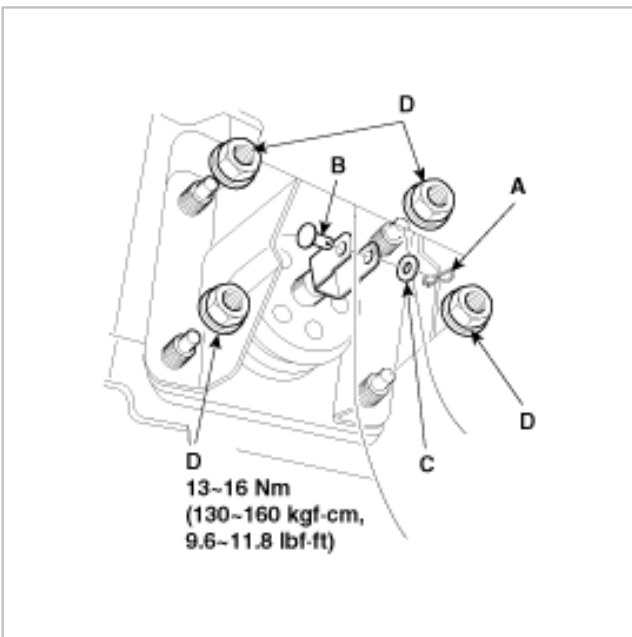


REPLACEMENT

1. Remove the master cylinder (see page BR-20).
2. Disconnect the vacuum hose (A) from the brake booster (B).

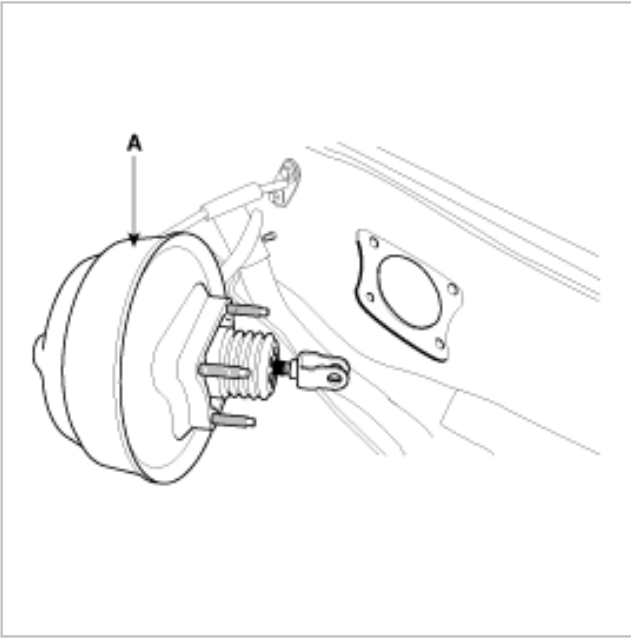


3. Remove the snap pin (A) clevis pin (B) and washer (C).



4. Remove the for booster mounting nuts (D).

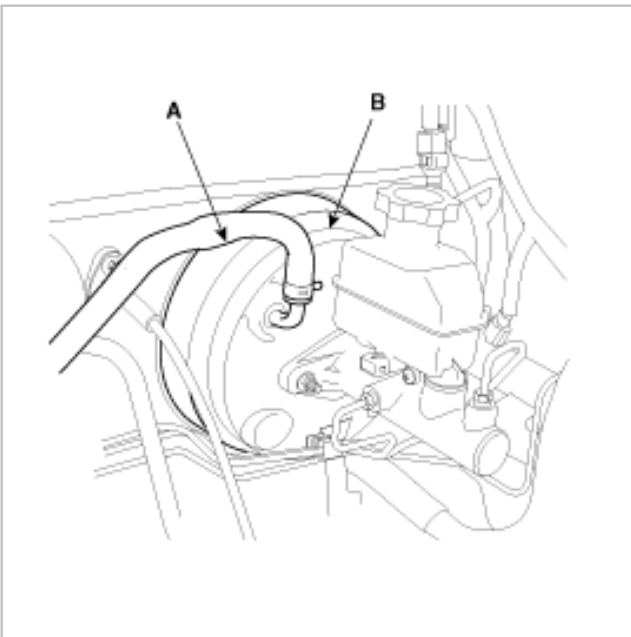
5. Remove the brake booster (A) from the engine compartment.



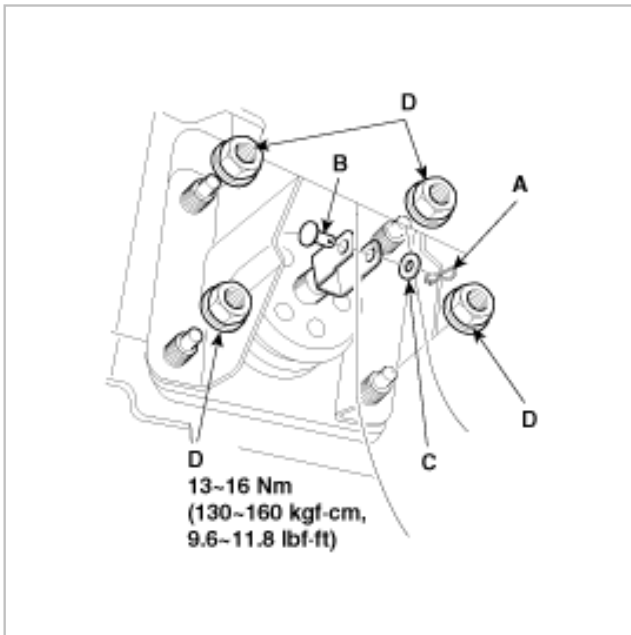
6. Install the brake booster in the reverse order of removal, and note these items:
 - A. After installation, adjust brake pedal height and brake pedal free play (see page BR-9).
 - B. Use new snap pin and clevis pin whenever installing.
 - C. Apply grease to both sides of the snap pin and the clevis pin.

REPLACEMENT

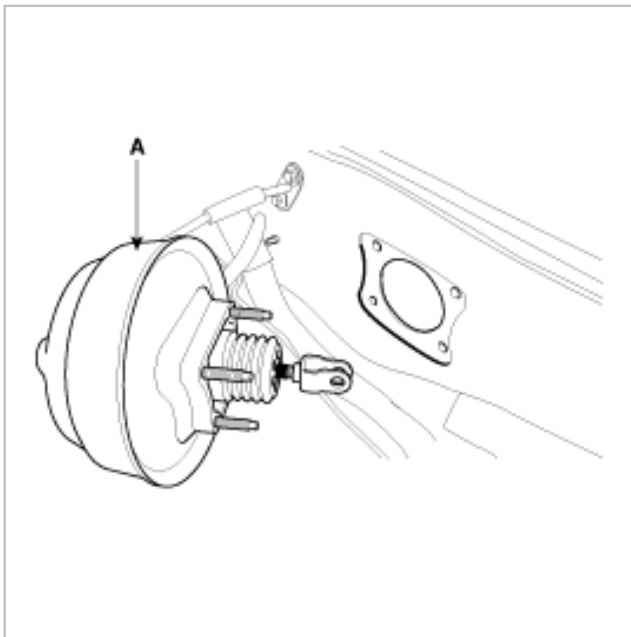
1. Remove the master cylinder (see page BR-20).
2. Disconnect the vacuum hose (A) from the brake booster (B).



3. Remove the snap pin (A) clevis pin (B) and washer (C).



4. Remove the for booster mounting nuts (D).
5. Remove the brake booster (A) from the engine compartment.



6. Install the brake booster in the reverse order of removal, and note these items:
 - A. After installation, adjust brake pedal height and brake pedal free play (see page BR-9).
 - B. Use new snap pin and clevis pin whenever installing.
 - C. Apply grease to both sides of the snap pin and the clevis pin.