



Component Location

Disc brake:

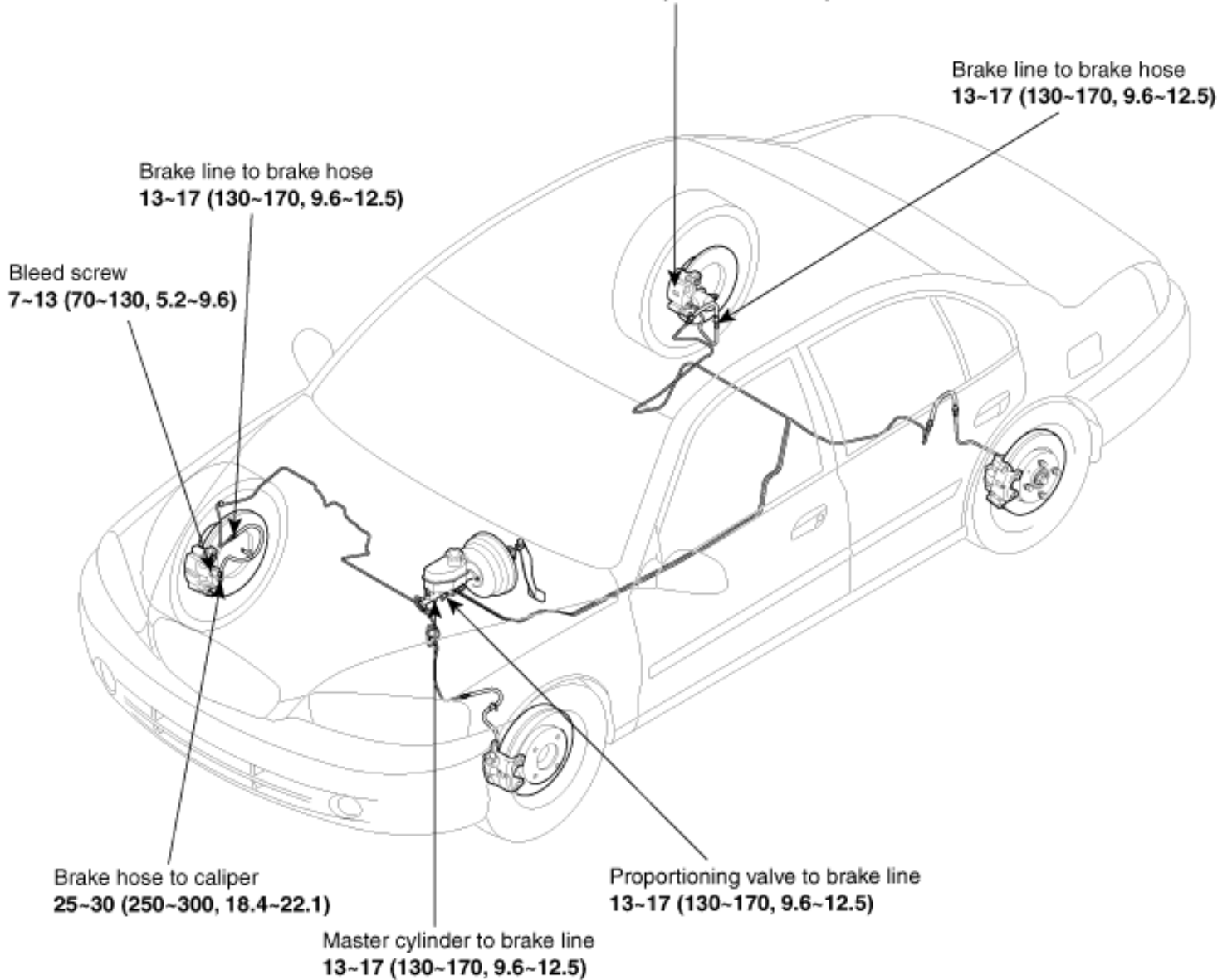
Brake hose to caliper 25~30 (250~300, 18.4~22.1)

Bleed screw 7~9 (70~90, 5.2~6.6)

Drum brake:

Brake line to wheel cylinder 13~17 (130~170, 9.6~12.5)

Bleed screw 7~13 (70~130, 5.2~9.6)



TORQUE: Nm (kgf-cm, lbf-ft)

Component Location

Disc brake:

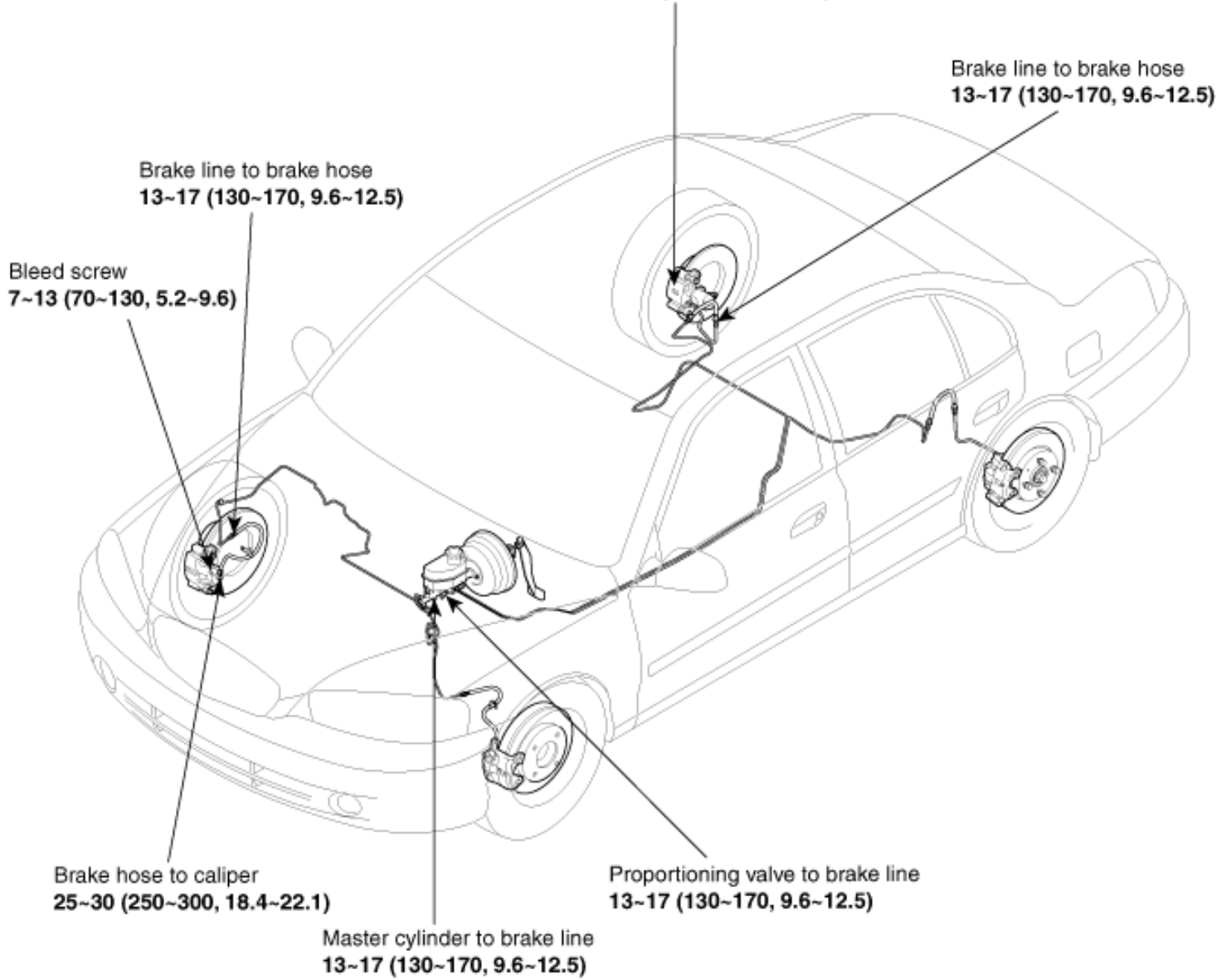
Brake hose to caliper **25~30 (250~300, 18.4~22.1)**

Bleed screw **7~9 (70~90, 5.2~6.6)**

Drum brake:

Brake line to wheel cylinder **13~17 (130~170, 9.6~12.5)**

Bleed screw **7~13 (70~130, 5.2~9.6)**



TORQUE: Nm (kgf-cm, lbf-ft)