



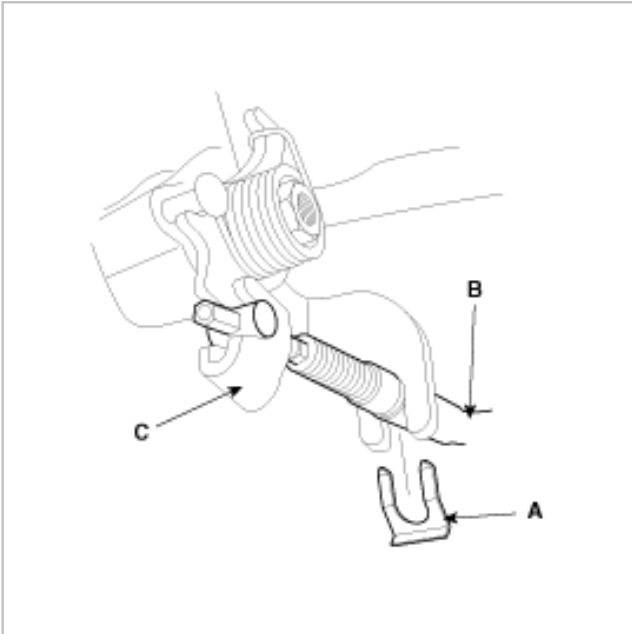
## REMOVAL

### NOTE

- The parking brake cables must not be bent or distorted. This will lead to stiff operation and premature failure.
- Refer to the component as needed during this procedure.

### Rear disc brake

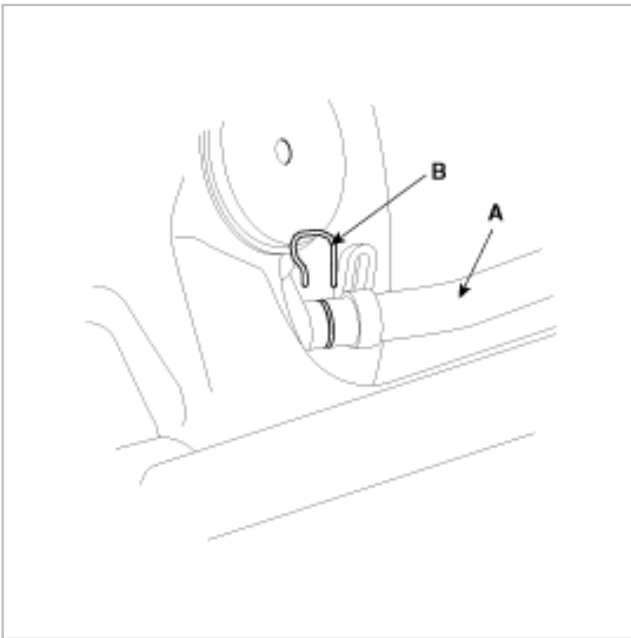
1. Release the parking brake lever fully, and remove the parking cable clip (A) from the parking brake cable.



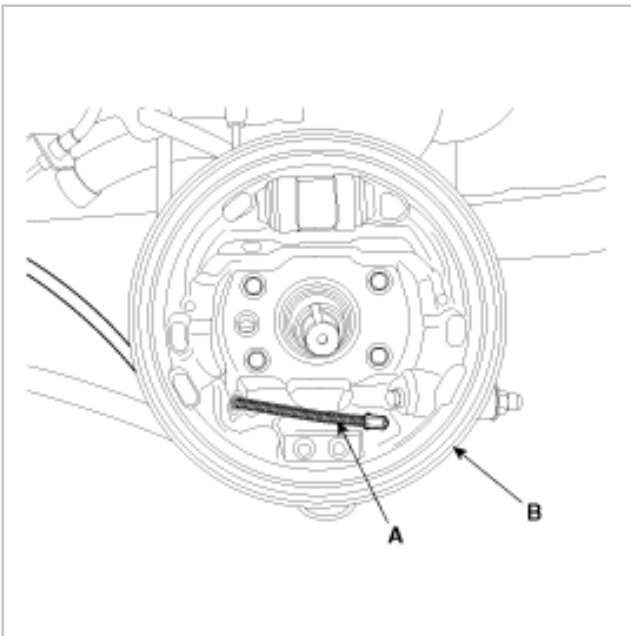
2. Disconnect the parking brake cable (B) from the lever (C).

### Rear drum brake

1. Remove the brake shoe assembly (see page BR-39).
2. Remove the parking brake cable retaining (B), from the parking brake cable (A).



3. Remove the parking brake cable (A) from the backing plate (B).



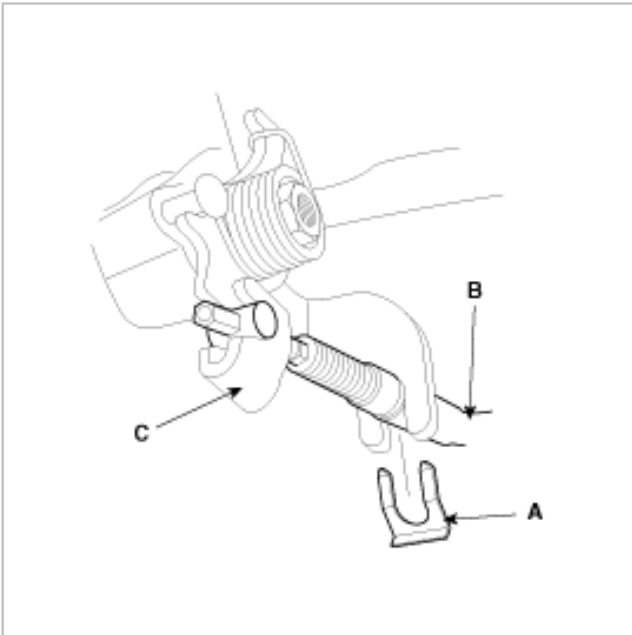
## REMOVAL

### NOTE

- The parking brake cables must not be bent or distorted. This will lead to stiff operation and premature failure.
- Refer to the component as needed during this procedure.

## Rear disc brake

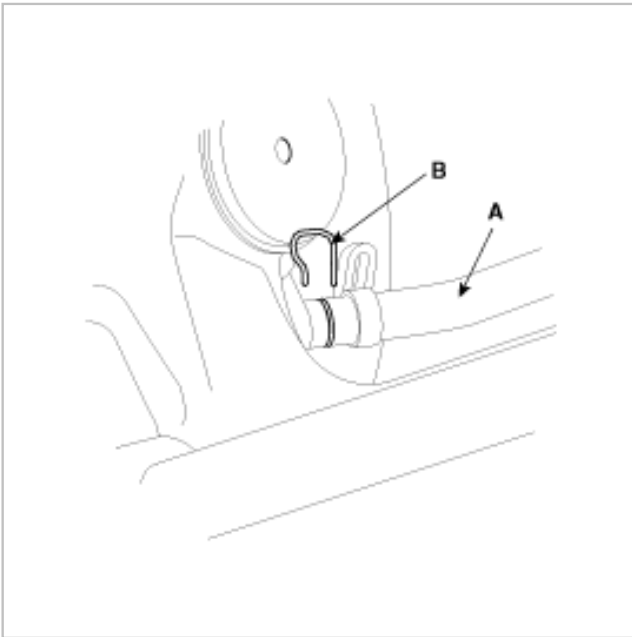
1. Release the parking brake lever fully, and remove the parking cable clip (A) from the parking brake cable.



2. Disconnect the parking brake cable (B) from the lever (C).

## Rear drum brake

1. Remove the brake shoe assembly (see page BR-39).
2. Remove the parking brake cable retaining (B), from the parking brake cable (A).



3. Remove the parking brake cable (A) from the backing plate (B).

