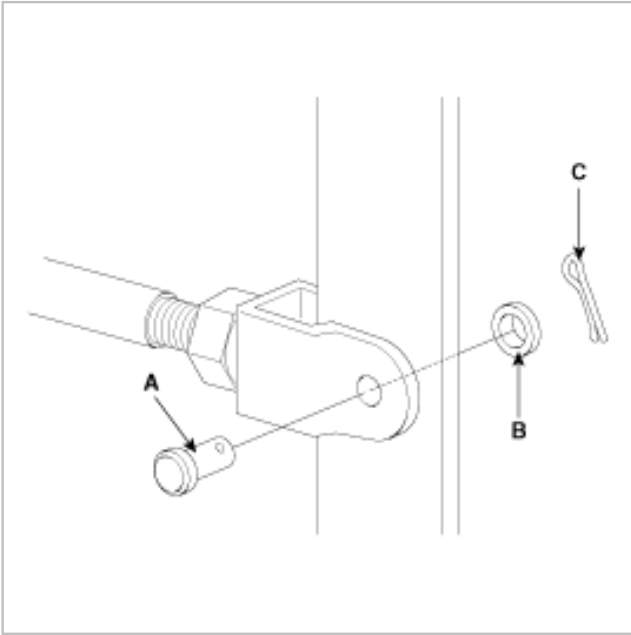




REMOVAL

1. Remove the cotter pin (A), washer (B), and clevis pin (C).



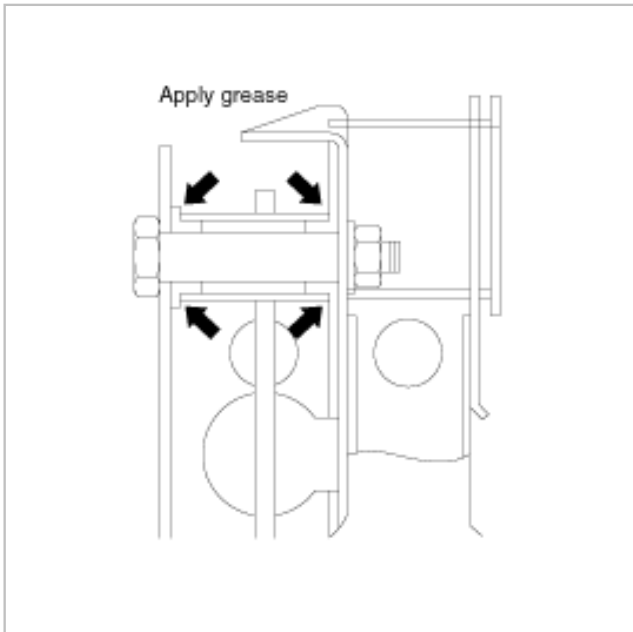
2. Remove the clutch pedal mounting bolts.

INSTALLATION

1. Apply the specified grease to the clutch pedal and bushings.

Chassis grease: SAE J310a, NLGI No.1

2. Install the clutch pedal mounting bolt.

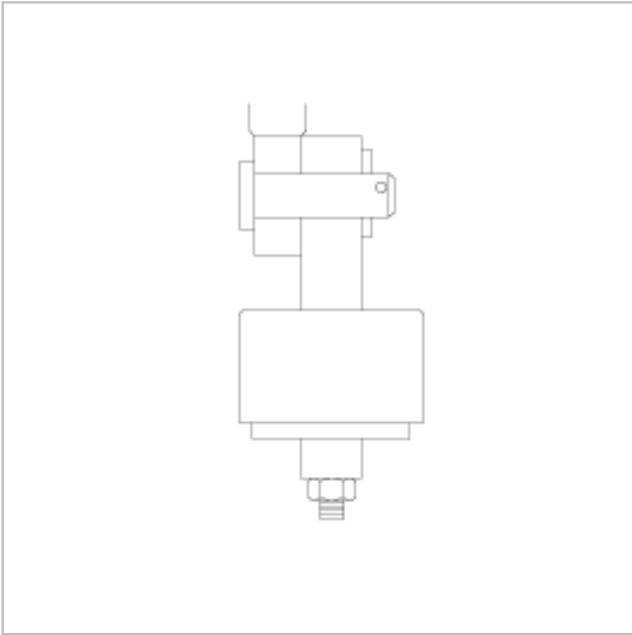


3. Apply the specified grease to the clevis pin and washer.

Wheel bearing grease: SAE J310, NLGI No.2

4. Install the push rod to the clutch pedal.

5. Adjust the clutch pedal clevis pin play.



INSPECTION

1. Check the pedal shaft and bushing for wear.
2. Check the clutch pedal for bending or torsion.
3. Check the return spring for damage or deterioration.
4. Check the pedal pad for damage or wear.

Ignition lock switch inspection

Condition \ Terminal	1	2
Pushed	●—————●	
Free		

