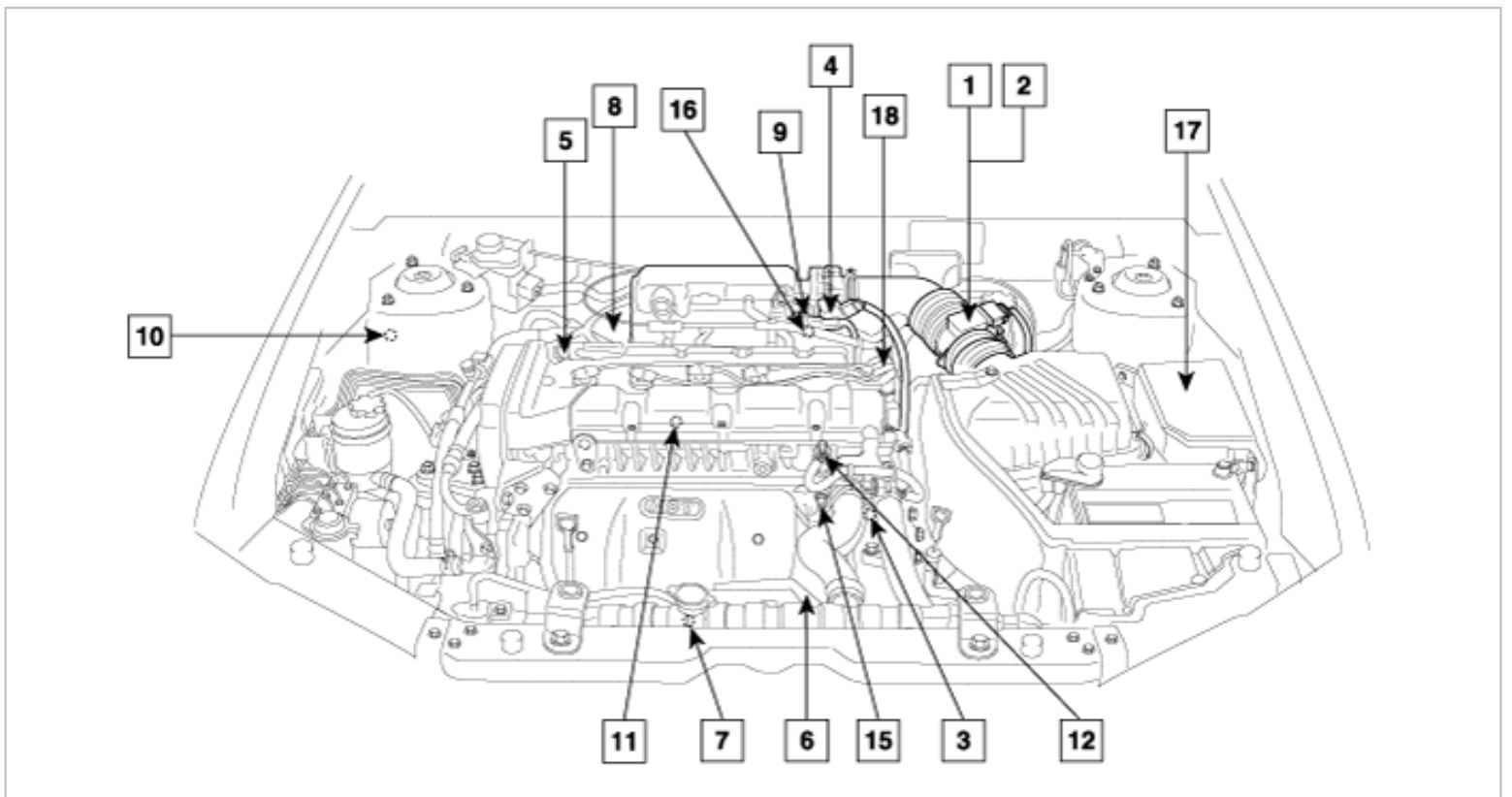
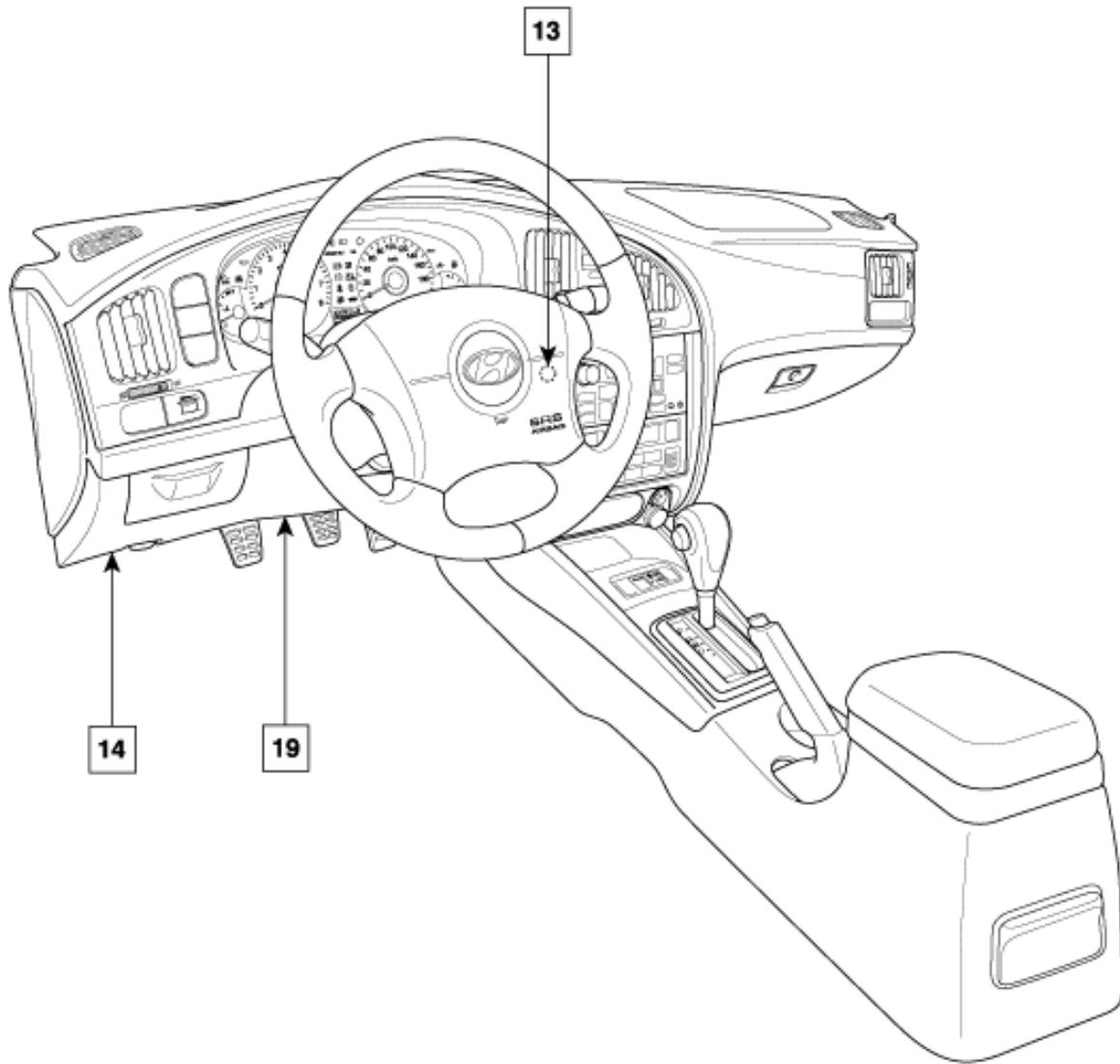




## COMPONENTS

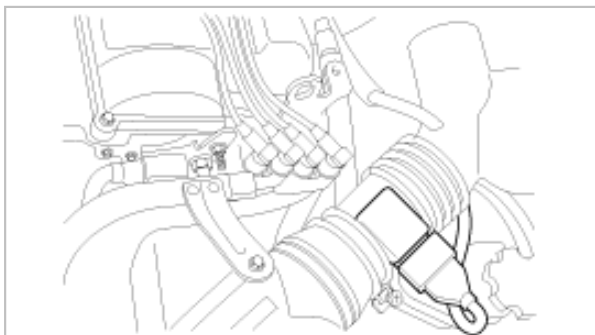




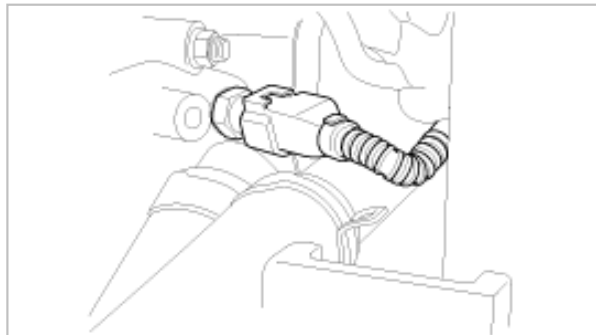
- |  |   |
|--|---|
| <b>1</b> Mass Air Flow (MAF) Sensor        | <b>11</b> Knock Sensor                        |
| <b>2</b> Intake Air Temp. (IAT) Sensor     | <b>12</b> Oil Control Valve (OCV)             |
| <b>3</b> Engine Coolant Temp. (ECT) Sensor | <b>13</b> Ignition Switch                     |
| <b>4</b> Throttle Position Sensor (TPS)    | <b>14</b> ECM                                 |
| <b>5</b> Camshaft Position (CMP) Sensor    | <b>15</b> Oil Temp. Sensor (OTS)              |
| <b>6</b> Crankshaft Position (CKP) Sensor  | <b>16</b> Purge Control Solenoid Valve (PCSV) |
| <b>7</b> Heated Oxygen Sensor              | <b>17</b> Control Relay                       |
| <b>8</b> Injector                          | <b>18</b> Ignition Coil                       |
| <b>9</b> Idle Speed Actuator (ISA)         | <b>19</b> Data Link Connector (DLC)           |
| <b>10</b> Vehicle Speed Sensor (VSS)       | <b>20</b> Inhibitor Switch                    |

1

2

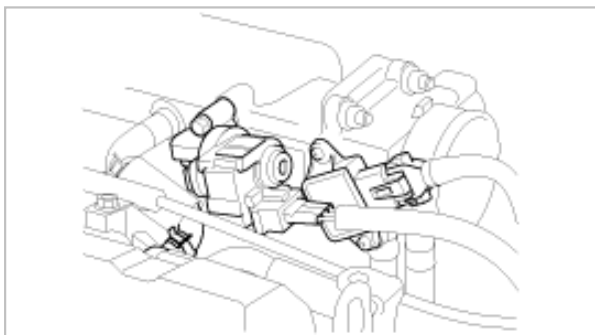


3

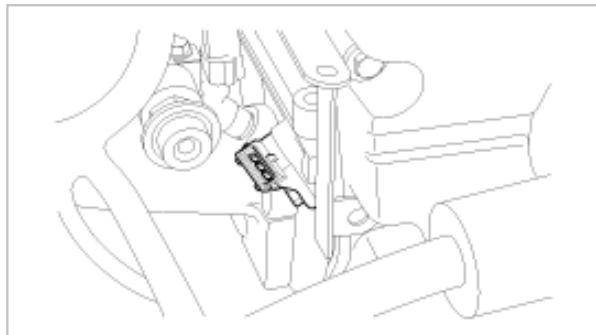


4

9

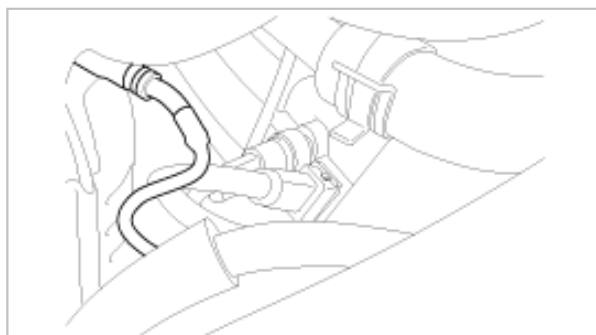


5



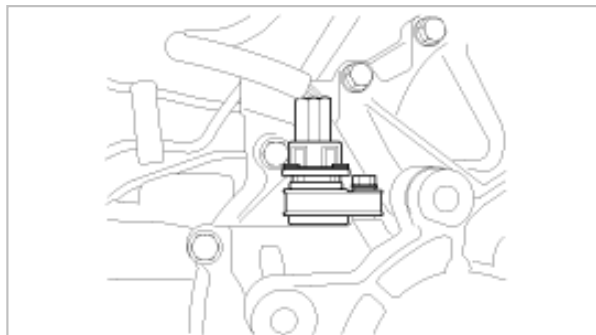
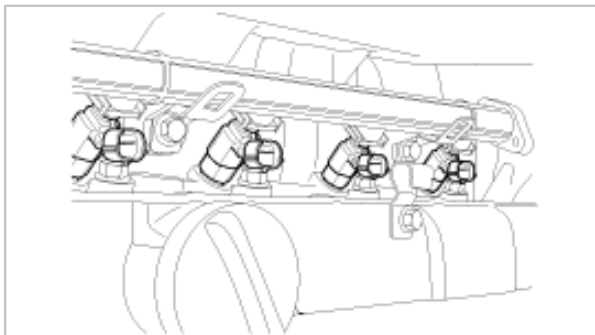
6

7



8

10



11

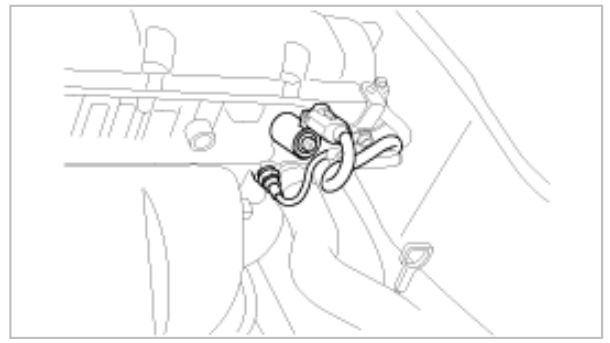
12

15

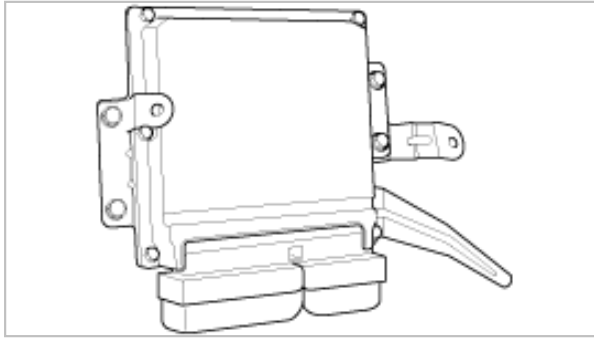




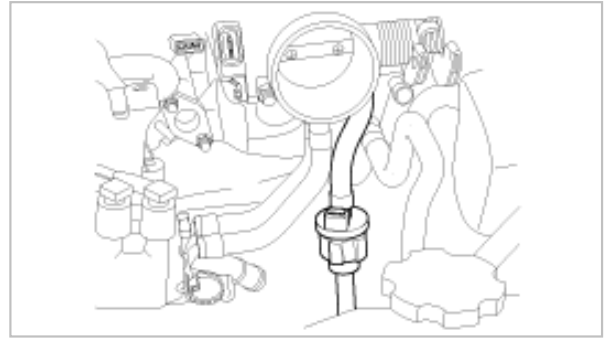
14



16



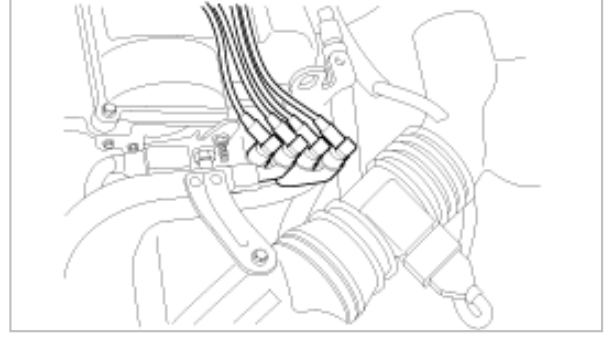
17



18



19



20

