



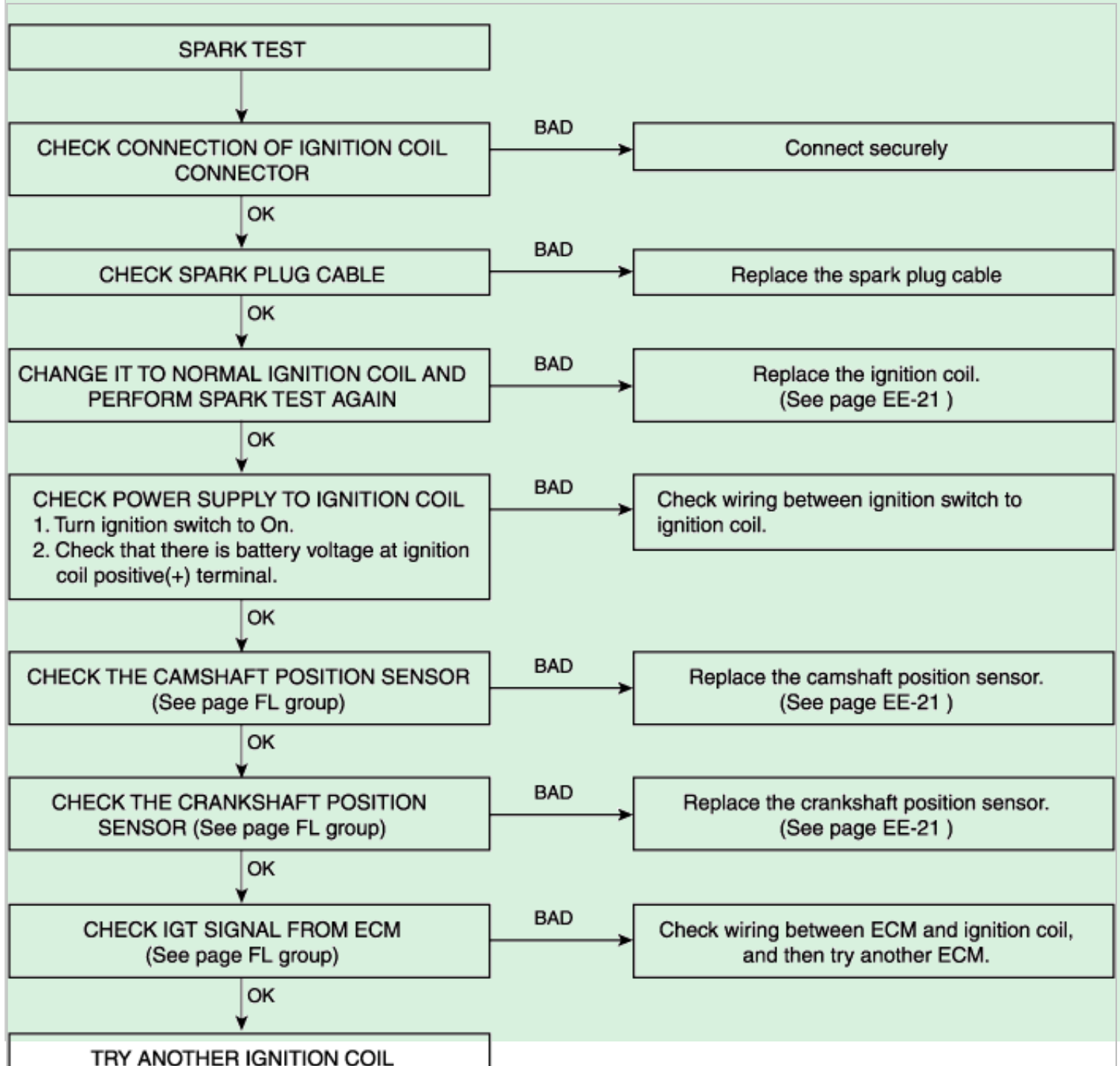
## ON-VEHICLE INSPECTION

### INSPECT SPARK TEST

1. Remove the spark plug cable.
2. Using a spark plug socket, remove the spark plug.
3. Install the spark plugs to each spark plug cable.
4. Ground the spark plugs.
5. Check if spark occurs while engine is being cranked.

#### NOTE

To prevent gasoline from being injected from injectors during this test, disconnect the injector connectors.  
Be sure to clean away DTC codes the timing is complete after.



**TRY ANOTHER IGNITION COIL**

6. Using a spark plug socket, install the spark plugs.
7. Install the spark plug cable.

**INSPECT SPARK PLUG AND SPARK PLUG CABLE**

1. Remove the spark plug cable(A).

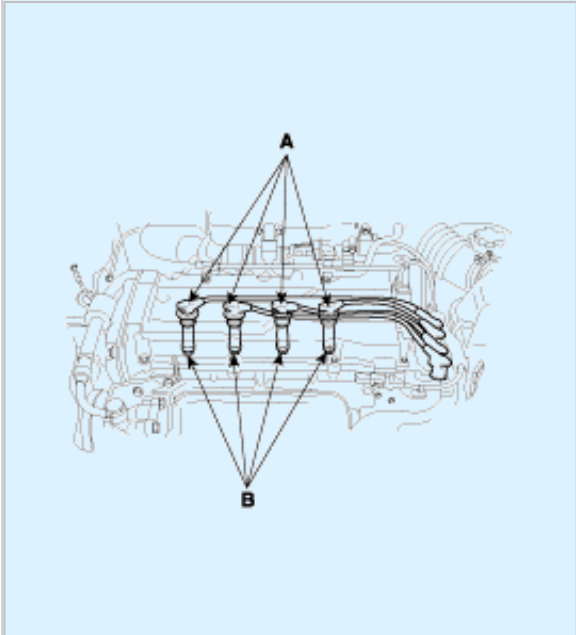
**NOTE**

When removing the spark plug cable, pull on the spark plug cable boot (not the cable), as it may be damaged.

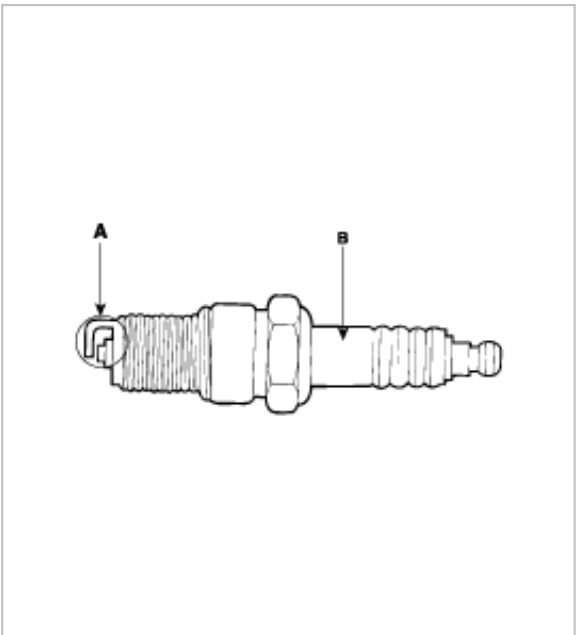
2. Using a spark plug socket, remove the spark plug(B).

**CAUTION**

Be careful that no contaminants enter through the spark plug holes.



3. Inspect the electrodes(A) and ceramic insulator(B).



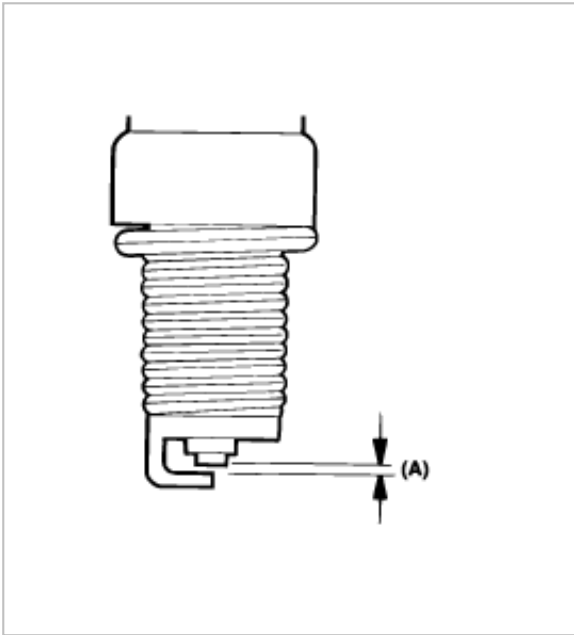
**INSPECTION FO ELECTRODES**

CONDITION	DARK DEPOSITS	WHITE DEPOSITS
DESCRIPTION	-Fuel mixture too rich -Low air intake	-Fuel mixture too lean -Advanced ignition timing -Insufficient plug tightening

4. Check the electrode gap(A).

**Standard (New)**

1.0~1.1 mm (0.039~0.043 in.)

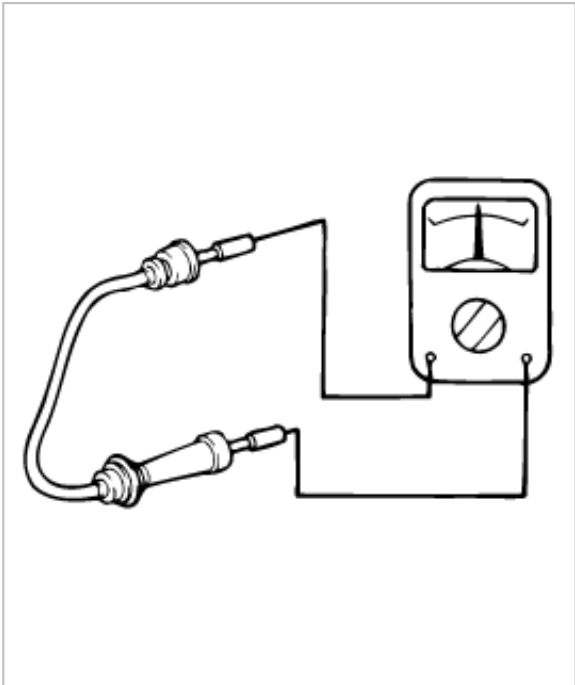


5. Carefully remove the spark plug cable by pulling on the rubber boots(A).

Check the condition of the spark plug cable terminals(B), If any terminal is corroded, clean it, and if it's broken or distorted, replace the spark plug cable.

6. Connect the ohmmeter probes and measure resistance.

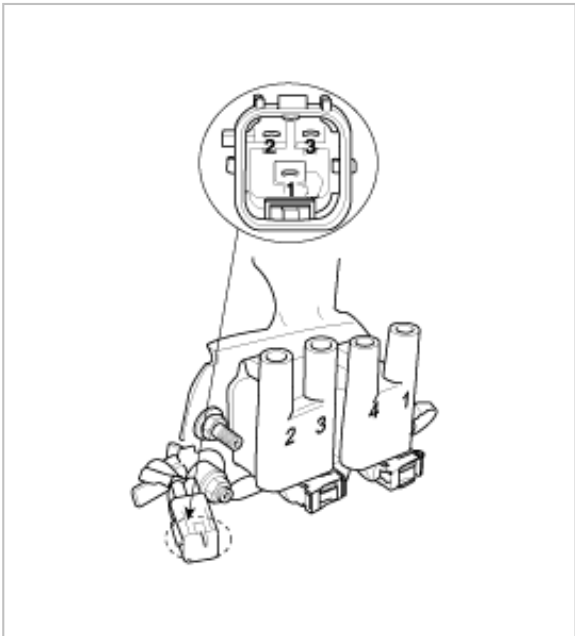
RESISTANCE : 5.6K /m ± 20%



7. Resistance should not be higher than 2.6k per meter of cable.  
If resistance is higher, replace the cable.

## INSPECT IGNITION COIL

1. Measure the primary coil resistance between terminals 1, 2 and 1,3.



---

Standard value : 0.58 ± 10%

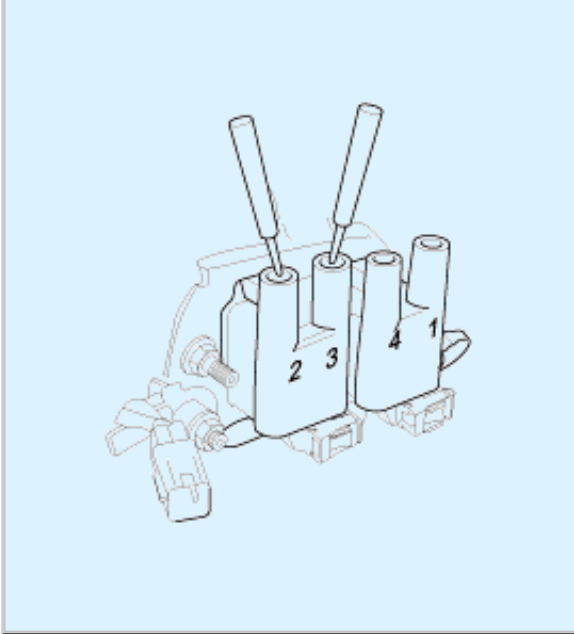
---

2. Measure the secondary coil resistance between the high-voltage terminal for the No.1 and No.4 cylinders, and between the high-voltage terminals for the No.2 and No.3 cylinders.

Standard value : 8.8k ± 15%

**CAUTION**

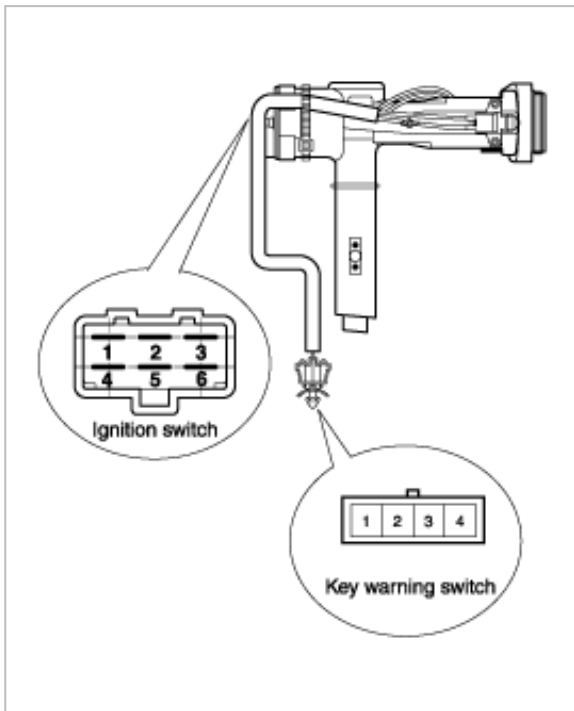
Be sure, when measuring the resistnace of the secondary coil, to disconnect the connector of the ignition coil.



**INSPECT IGNITION SWITCH**

1. Remove the connector located under the steering column.
  2. Check for continuity between terminals.
- If there is no continuity, replace the ignition switch.

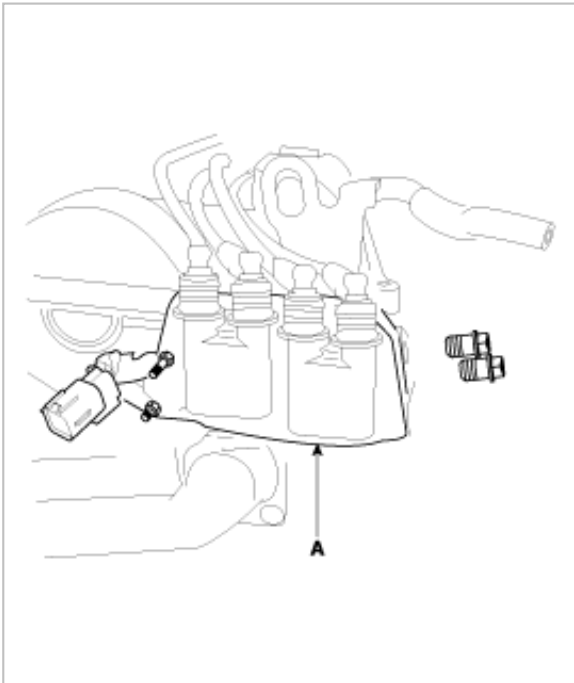
POSITION	KEY	IGNITION SWITCH						STEERING		KEY WARNING SWITCH		KEY ILLUMINATION SWITCH	
		5	3	1	2	4	6	TRAVEL	TRAVEL	3	4	1	2
LOCK	REMOVAL							LOCK					
	INSERT							LOCK	UNLOCK				
ACC		○————○						UNLOCK		○————○			
ON		○————○————○											
START	○————○————○————○												



## REPLACEMENT

### IGNITION COIL

1. Remove the engine cover.
2. Disconnect the spark plug cable and connector.
3. Remove the ignition coil.
4. Installation is the reverse of removal.



### CRANKSHAFT POSITION SENSOR

1. Disconnect the crankshaft position sensor connector.
2. Remove the crankshaft position sensor(A).

### CAMSHAFT POSITION SENSOR

1. Remove the engine cover(B).

2. Disconnect the camshaft position sensor connector.
3. Remove the camshaft position sensor(C).

