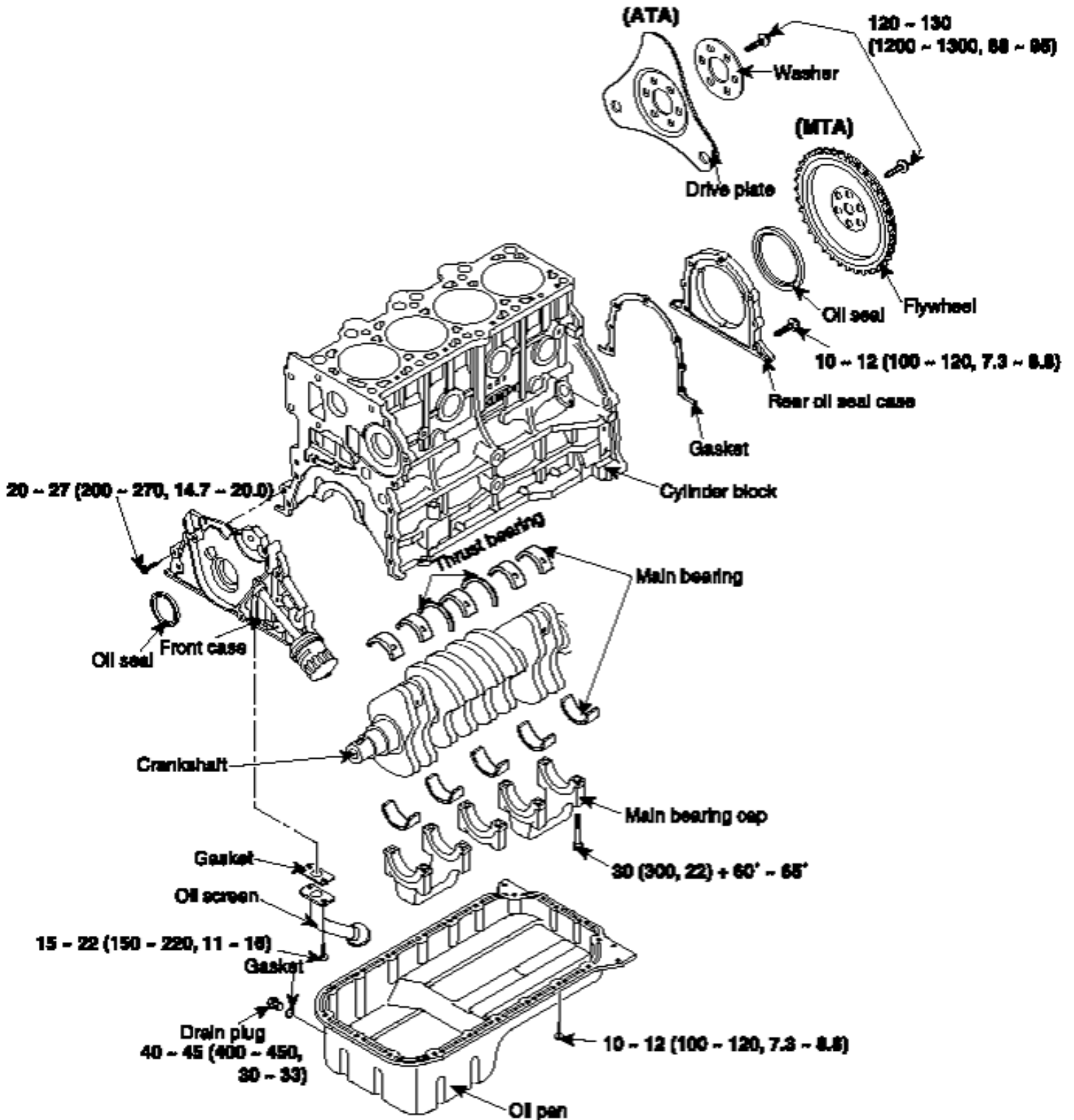
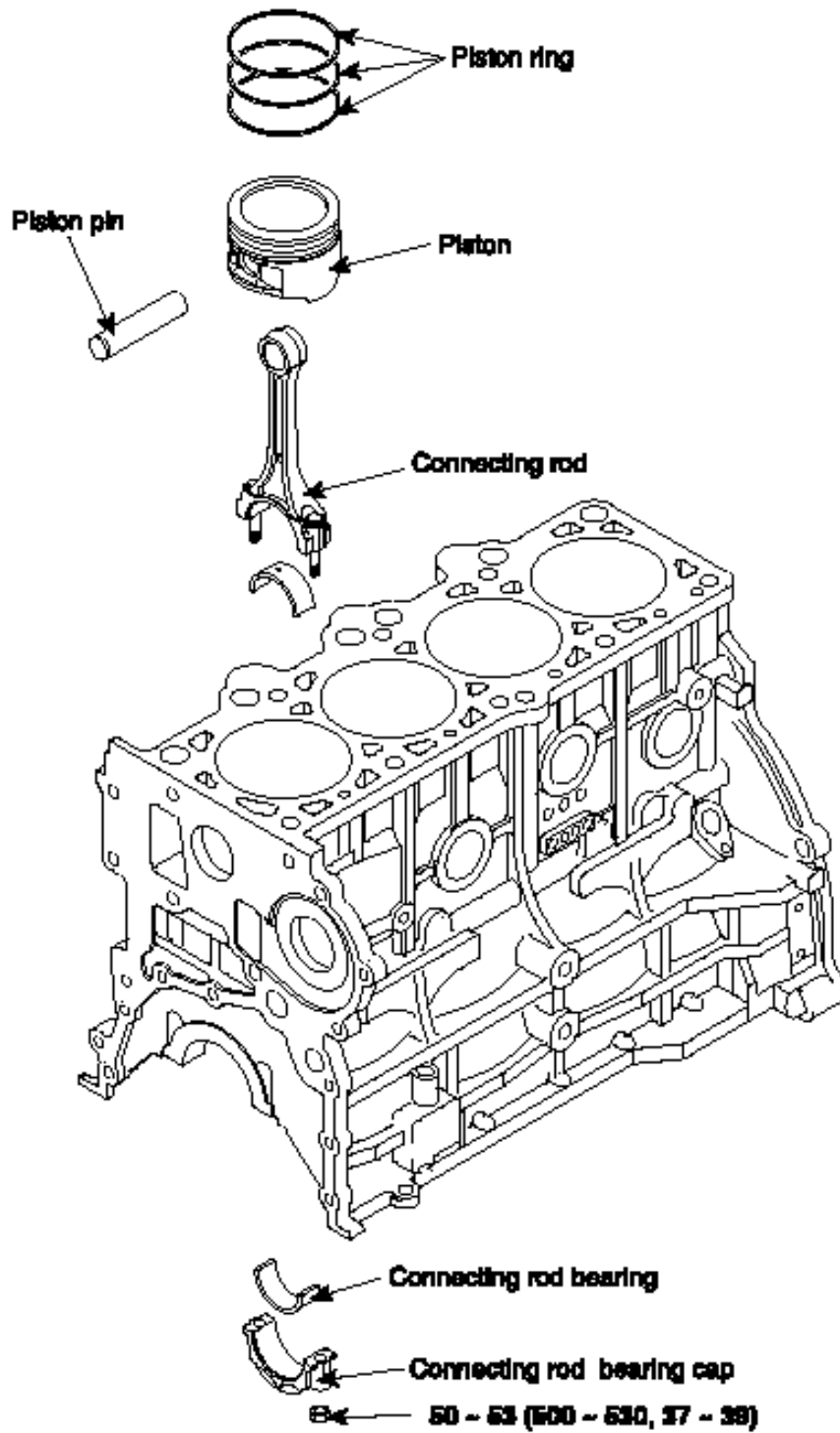




# COMPONENT



**TORQUE : Nm (kgf.cm, lbf.ft)**



**TORQUE : Nm (kgf.cm, lbf.ft)**