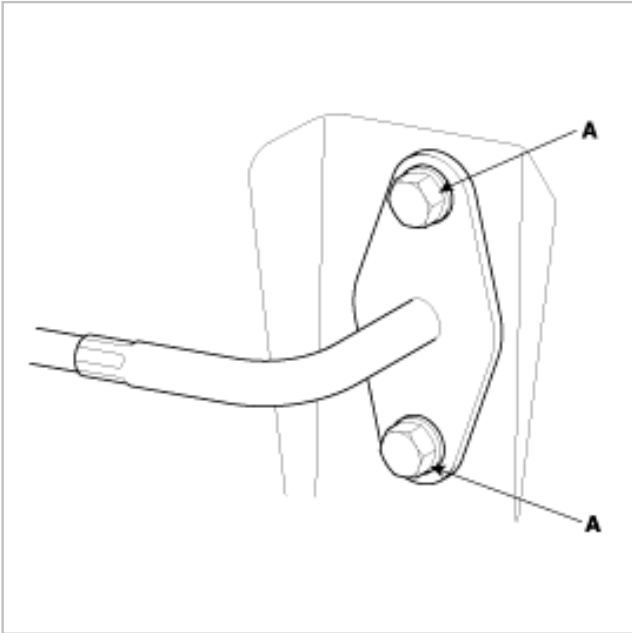


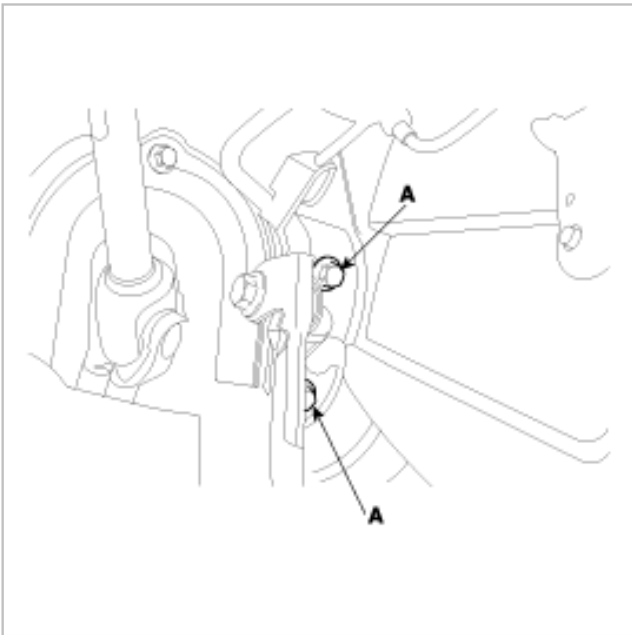


REMOVAL

1. Disconnect the accelerator cable from the accelerator pedal by removing the 2 bolts(A).

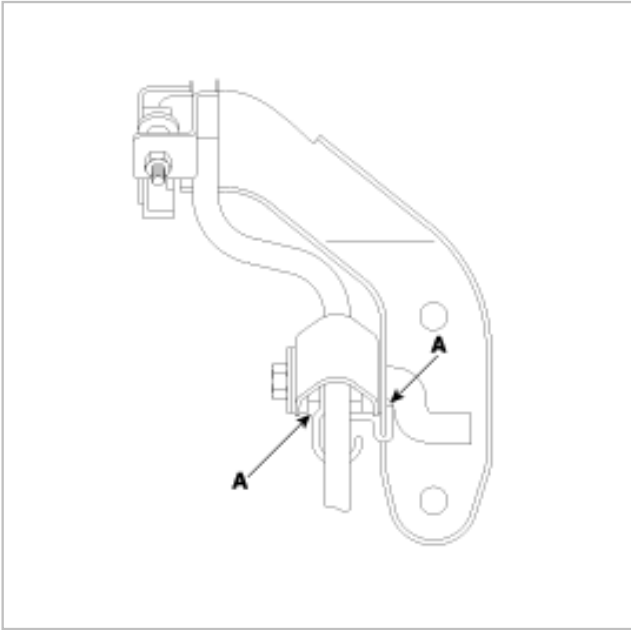


2. After disconnecting the accelerator cable, loosen the bolts(A) of the accelerator arm bracket and remove.



INSTALLATION

1. When installing the return spring and accelerator pedal, apply multi-purpose grease around each moving point (A) of the accelerator pedal.

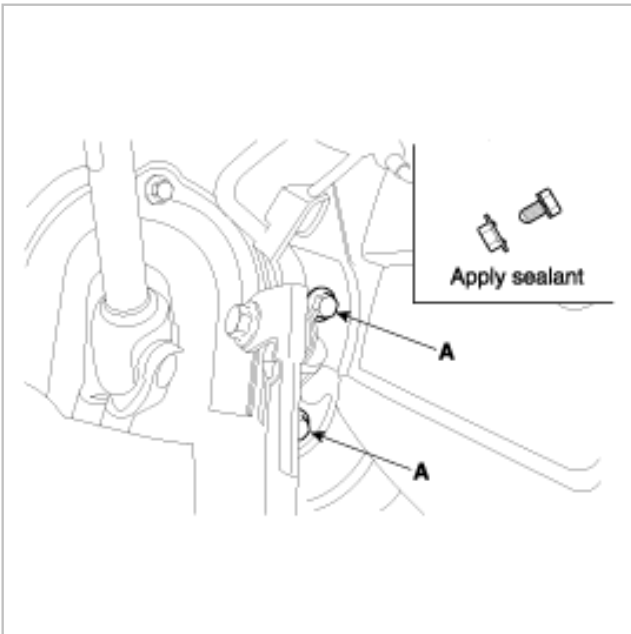


2. Apply sealant to the bolt mounting holes(A), and tighten the accelerator pedal bracket.

Tightening torque

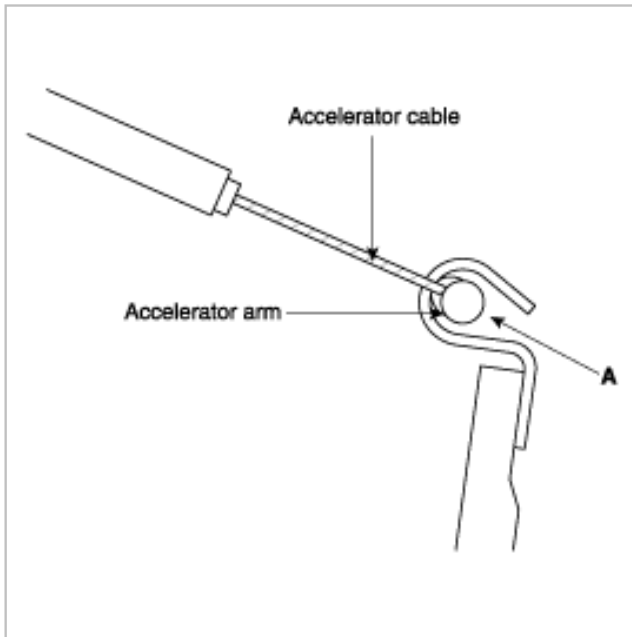
Accelerator pedal bracket bolts :

8 ~ 12Nm (80 ~ 120 kg·cm, 5.8 ~ 7.2 lb·ft)



3. Securely install the resin bushing of the accelerator cable on the end of the accelerator pedal.

4. Apply multipurpose grease around the cable end (A).



INSPECTION

1. Check the inner and outer cable for damage.
2. Check the cable for smooth movement.
3. Check the accelerator pedal for deformation.
4. Check the return spring for deterioration.
5. Check the connection of the bushing to end metal fitting.