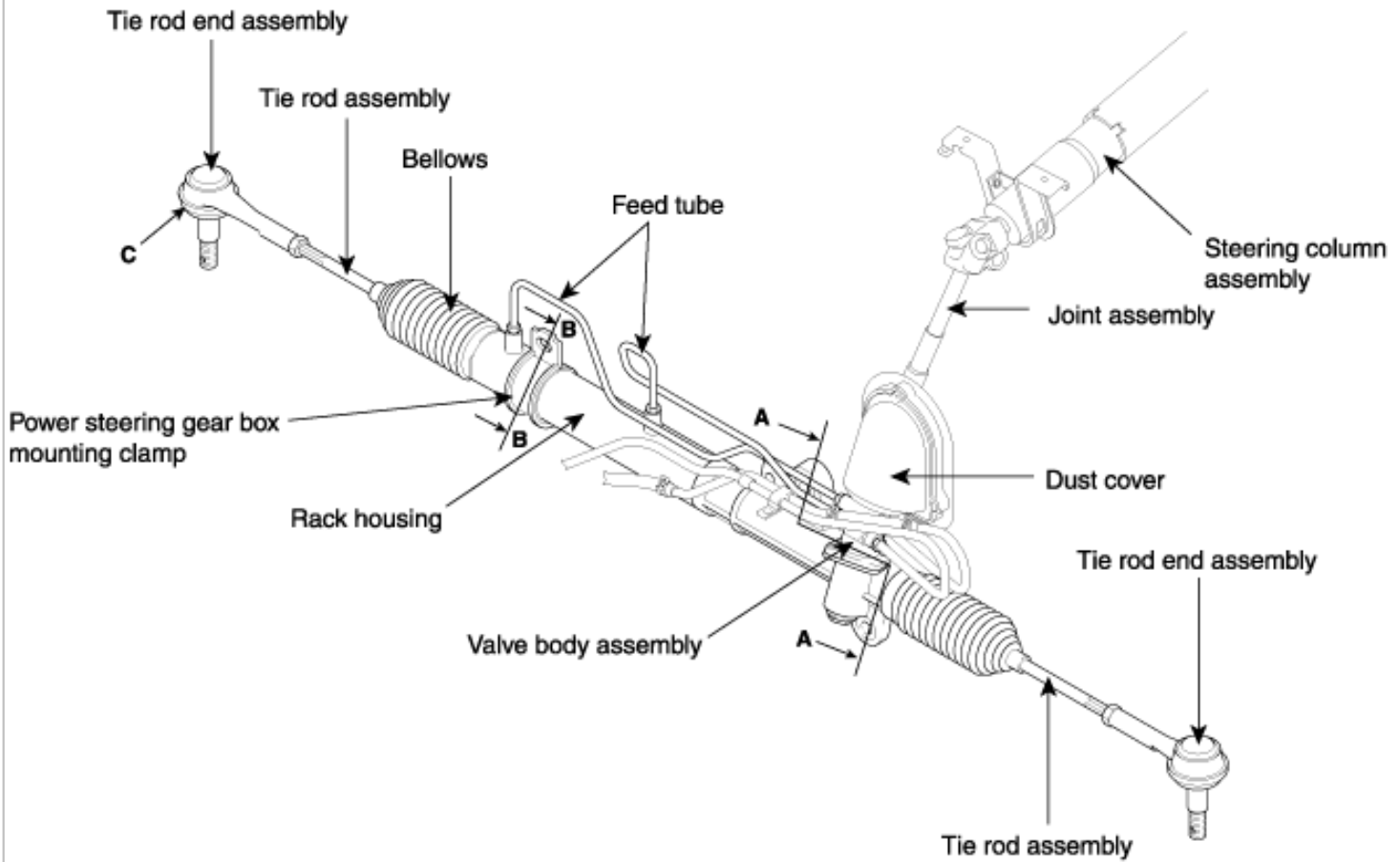
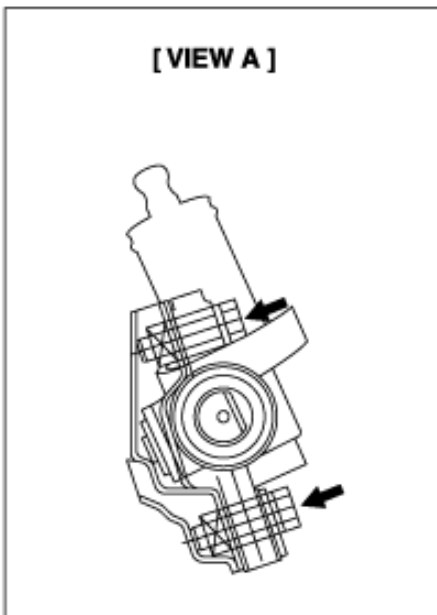




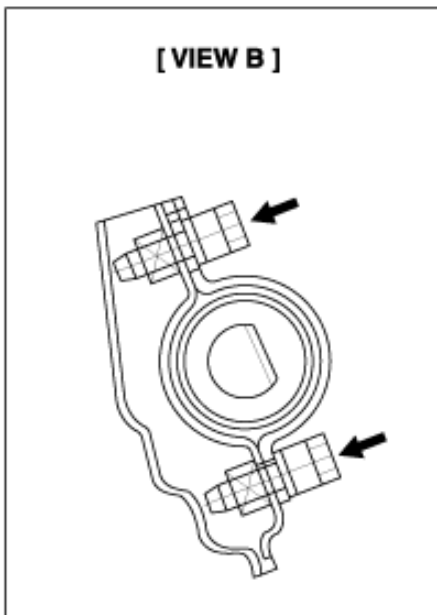
COMPONENTS



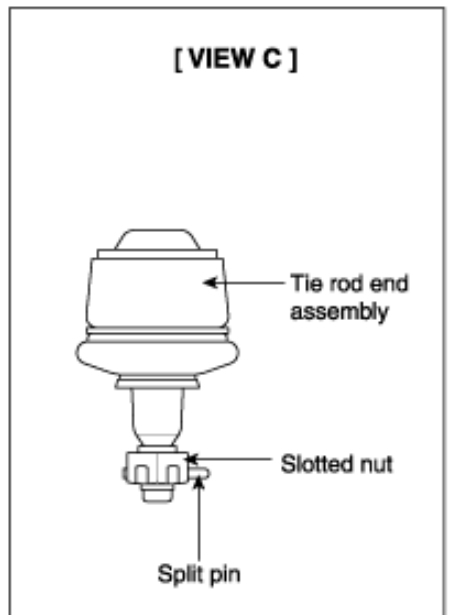
[VIEW A]



[VIEW B]



[VIEW C]



DISASSEMBLY AND ASSEMBLY

