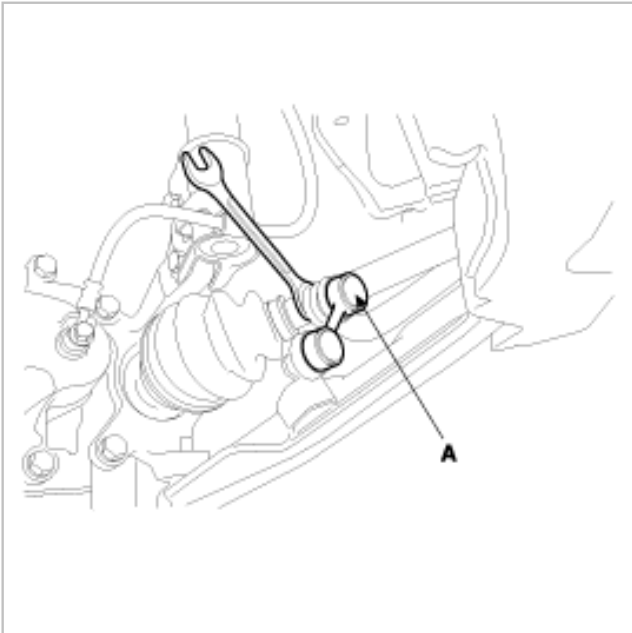




REMOVAL

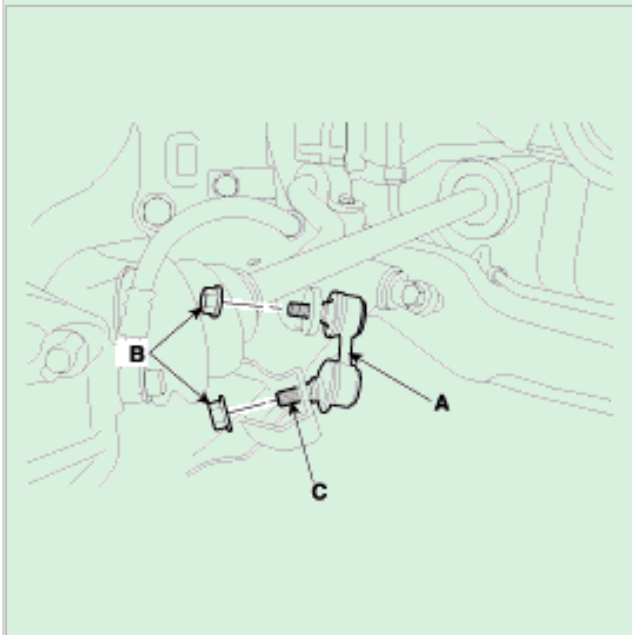
1. Remove the front wheel and tire.
2. Remove the stabilizer bar link assembly (A).



A. Remove the bolts(B) and stabilizer bar link(A).

NOTE

If the stabilizer bar link ball joint(C) and nuts(B) turn altogether, use the pentagonal wrench to hold the stud.



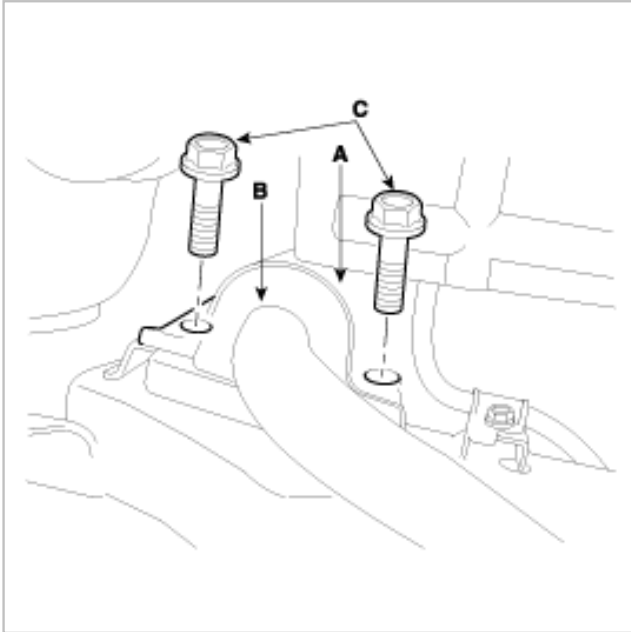
B. Remove the stabilizer bar link on the opposite side in the same way.

CAUTION

Be careful not to damage the ball joint boot.

3. Remove the stabilizer bracket(A) and bushing(B)

A. After loosen the bolts(C-in case of LH, separate pad by loosening the fixing bolts of the stabilizer bar bracket), then remove the bracket(A) and bushing(B)



B. Remove the stabilizer bar link on the opposite side in the same way.

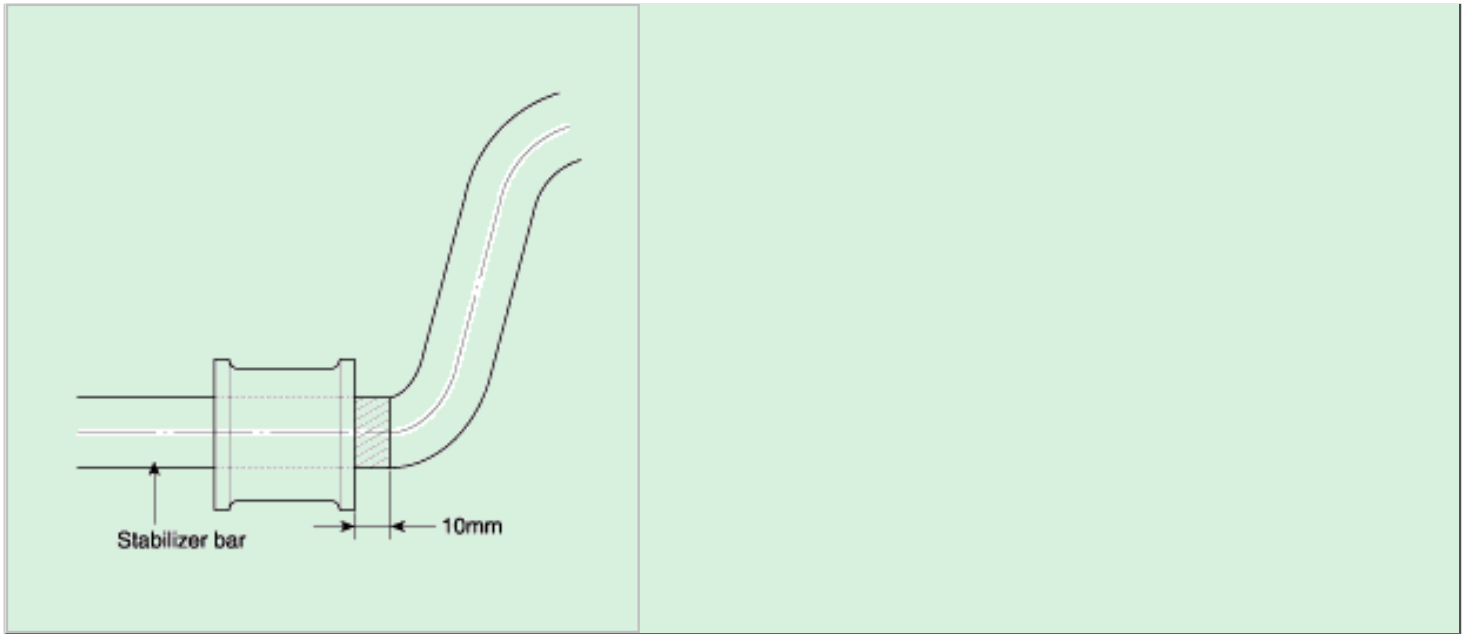
C. Remove the stabilizer out of the vehicle's right side.

INSTALLATION

1. Install the bushing on the stabilizer bar.

NOTE

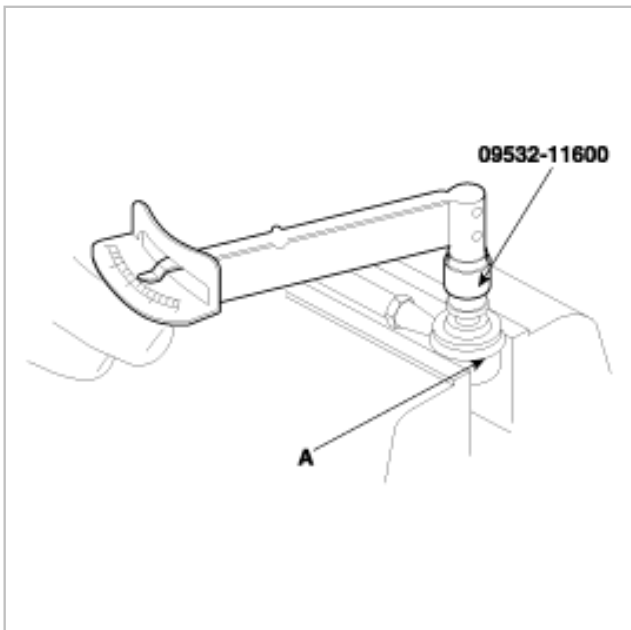
The distance between the bushing, and the part to which white paint is applied, must continue 10mm outside the vehicle.



2. Install the bracket on the bushing
3. Align and install the bushing with the white paint on the stabilizer bar. After tightening the bolts of the bushing bracket temporarily, install the bushing bracket on the opposite side.

INSPECTION

1. Check the stabilizer bar for deterioration and damage.
2. Check all bolts for damage and deformation.
3. Check the stabilizer link dust cover for cracks or damage.
4. Check the stabilizer link ball joint(A) for rotating torque.



- A. If there is a crack in the dust cover, replace it and add grease.
- B. Shake the stabilizer link ball joint stud several times.

C. Mount the self-locking nut on the ball joint, and then measure the ball joint rotating torque.

Standard value

1.7~3.2 Nm (17~32 kgf·cm, 15~27 lbf·in)

D. If the rotating torque is higher than the upper limit of the standard value, replace the stabilizer link.

E. If the rotating torque is below the lower limit of the standard value, the ball joint may be reused unless it has drag and excessive play.