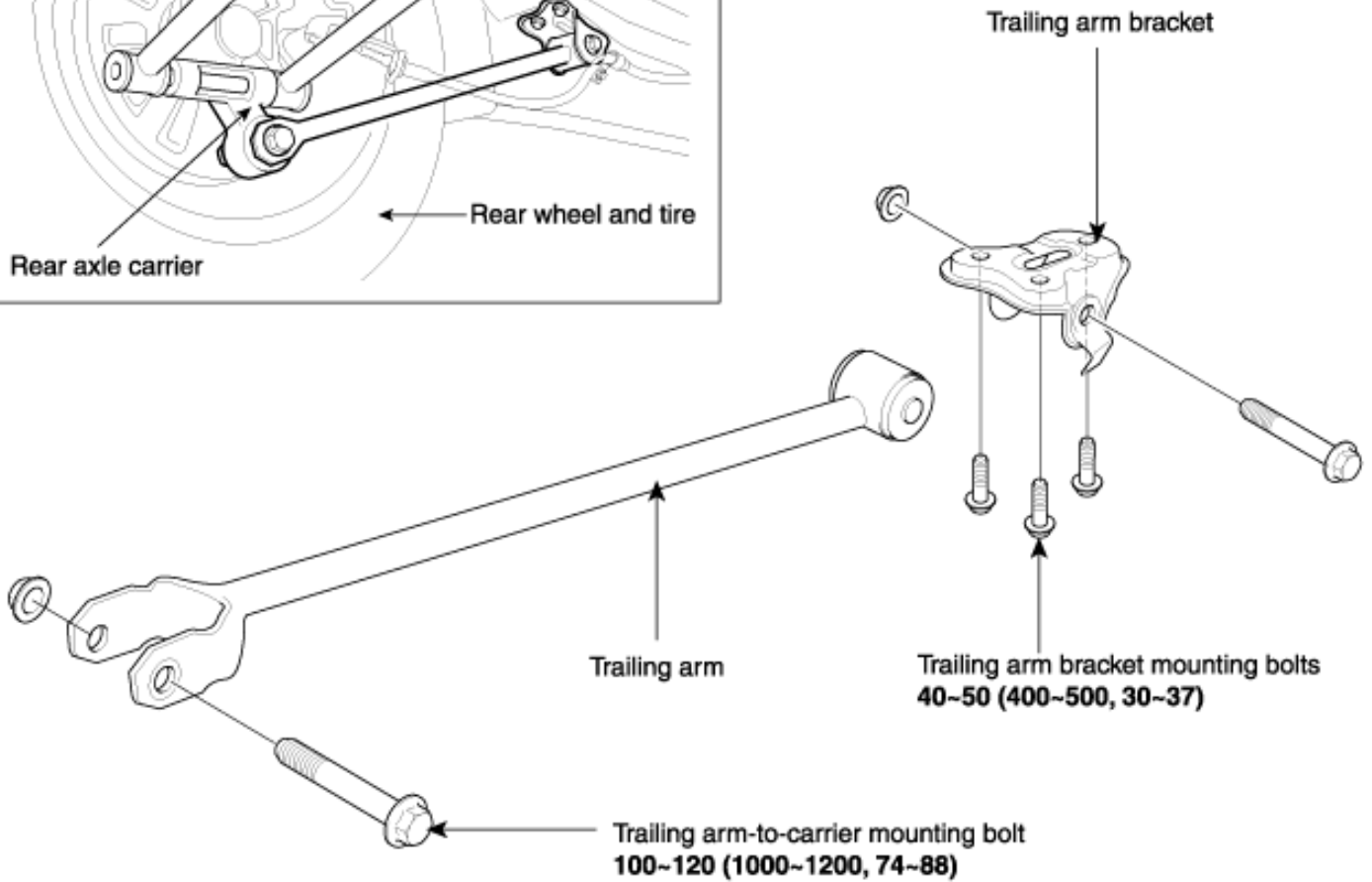
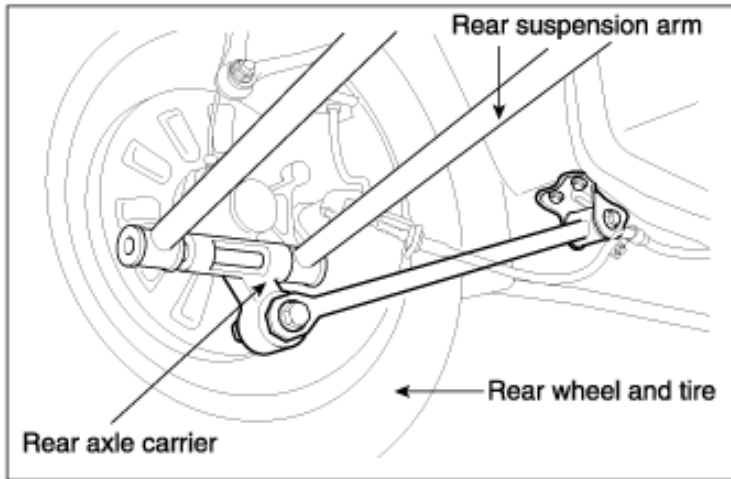




COMPONENTS

[Trailing arm location]



TORQUE : N·m (kgf·cm, lbf·ft)