

# BODY (INTERIOR AND EXTERIOR)

## Return to Main Table of Contents

GENERAL .....	2
BODY PANELING .....	7
HOOD .....	12
GRILLE AND MOULDINGS .....	14
BUMPER .....	16
FENDER .....	19
WINDSHIELD .....	21
REAR WINDOW GLASS .....	25
FRONT DOOR .....	28
REAR DOOR .....	34
TRUNK LID .....	39
CRASH PAD .....	41
CONSOLE .....	46
INTERIOR TRIM AND HEAD LINING .....	48
FRONT SEAT .....	53
REAR SEAT .....	55
SEAT BELT .....	57
SUNROOF .....	60

## GENERAL SPECIFICATIONS

Hood			
Type			Rear hinged, front opening type
Front door			
Construction			Front hinged, full door construction
Regulator system			Wire drum type
Rear door			
Construction			Front hinged, full door construction
Regulator system			Wire drum type
Trunk lid			
Type			Torsion bar type
Glass thickness	mm (in.)		
Windshield glass			Laminated clear, tinted 5 (0.20)
			Laminated tinted shade band 5(0.20)
			Door glass 3.2(0.13)
			Rear fixed glass 3.2 (0.13)
			Rear window glass 4(0.16)
Distance between door upper hinge and lower hinge			Front door 325 mm (12.80 in.) Rear door 320 mm (12.6 in.)
Seat			
Front seat travel	mm (in.)		225 mm (8.9 in.)
Seat belt			
Front			W.L.R. 3 point type Passive type
			Adjustable type
Front seat belt anchor			E.L.R. 3 point type with 2 point static
Rear			




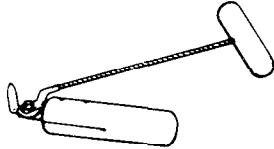

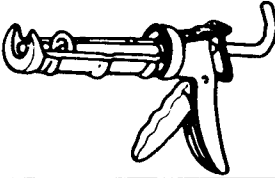
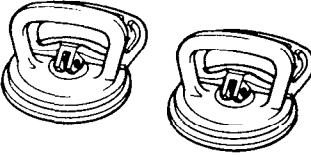
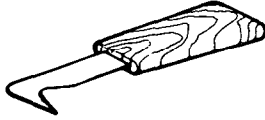
W.L.R. : Webbing Clamp Locking Retractor

E.L.R. : Emergency Locking Retractor

**TIGHTENING TORQUE**

	Nm	Kg.cm	lb.ft
Front and rear doors			
Door hinge to body	36-42	360-420	26-30
Door hinge to door	36-42	360-420	26-30
Trunk lid			
Trunk lid hinge to body	7-9	70-90	5-6.5
Trunk lid hinge to trunk lid	7-9	70-90	5-6.5
Trunk lid latch to trunk lid	7-9	70-90	5-6.5
Trunk lid striker to body	7-9	70-90	5-6.5
Hood			
Hood hinge to body	22-27	220-270	16-19.5
Hood hinge to hood	22-27	220-270	16-19.5
Hood latch to body	7-9	70-90	5-6.5
Hood striker to hood	7-9	70-90	5-6.5
Seat			
Front seat to floor, Nut	24-36	240-360	17-26
Bolt	35-55	350-550	25-40
Rear seat back to floor, Bolt	17-26	170-260	12-19
Rear seat back tilting bracket	17-26	170-260	12-19
Seat belt			
Front seat belt upper anchorage body	40-55	400-550	29-40
Front seat belt buckle	40-55	400-550	29-40
Front seat belt shoulder anchor mounting nut (Passive)	24-32	240-320	17-23
Shoulder belt retractor mounting bolt (Passive)	9-11	90-110	5-8
Lap belt retractor mounting bolt (Passive)	23-34	230-340	17-25
Rear seat belt anchor mounting bolt	40-55	400-550	29-40

## SPECIAL TOOLS

Tool (Number and Name)	Illustration	Use
09793-21000 Door hinge adjusting wrench		Adjustment, removal and installation of the door hinge
09800-21000 Ornament remover		Trim removal
09853-31000 Head lining clip remover		Removal of the head lining clip
09861-31100 Sealant cut-out tool		Cutting the sealant for the windshield glass (use with 09861-31200)
09861-31200 Sealant cutting blade		Cutting the sealant for the windshield glass (use with 09861-31100)
09861-31300 Sealant gun		Application of the sealant to the windshield glass 09861-31400
Glass holder Removal and installation of		the windshield glass
09861-31000 Windshield glass moulding remover		Removal of windshield glass moulding

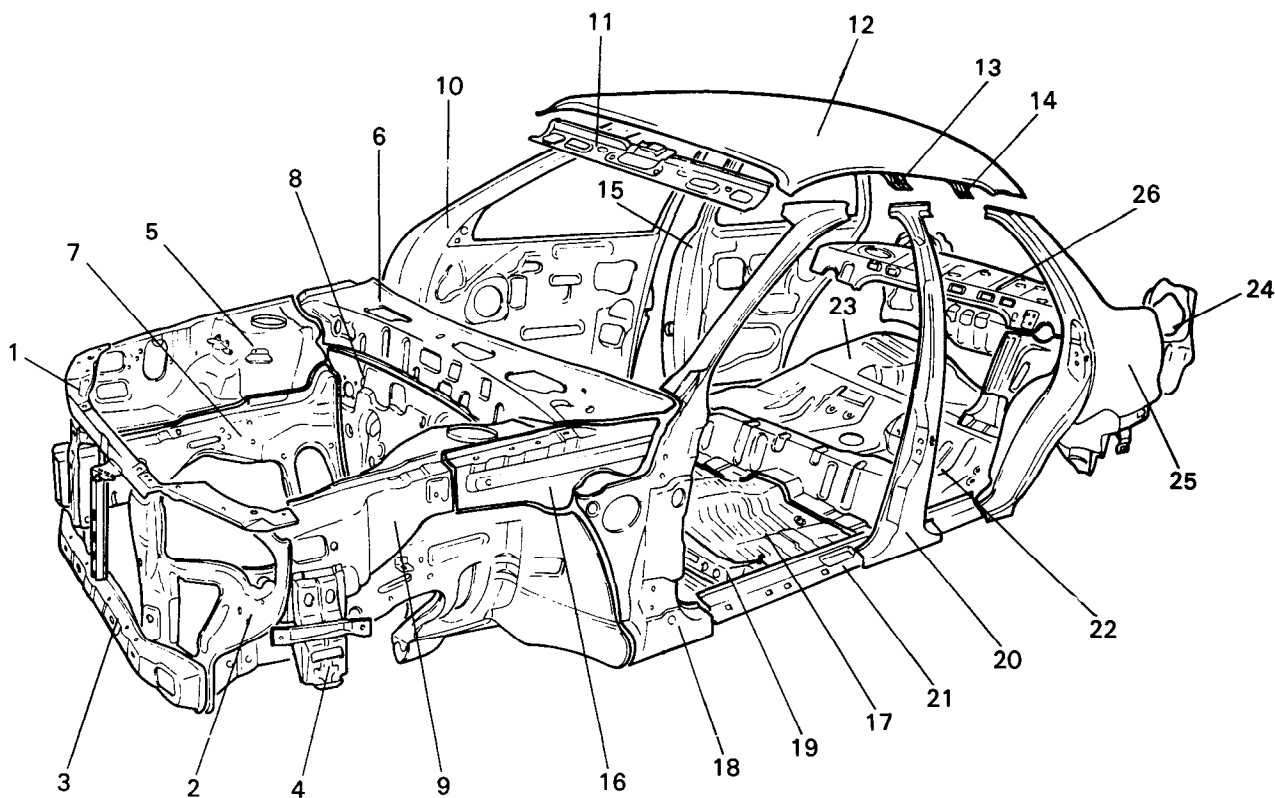
**TROUBLESHOOTING**

Symptom	Probable cause	Remedy
Sunroof Water leaks	Dust accumulated in drainage of housing assembly Clogged drain pipe  Broken or dislocated drain pipe, defective or cracked clip Deteriorated roof lid weatherstrip Excessive roof lid-to-body clearance and improperly fitted weatherstrip	Clear dust from inside of drain pipe Blow air into drain pipe to remove dust Check pipe installation and flange contact Replace Adjust
Wind noise	Loose or deformed deflector	Retighten or replace
Roof lid makes noise when moved	Foreign matter lodged in guide rail  Loose guide rails and lid	Check drive cable and guide rails for foreign matter Retighten
Motor runs but lid does not move or moves only halfway	Foreign matter lodged in guide rail  Incorrect engagement of motor pinion with drive cable Decrease in clutch slipping force of motor Increased lid sliding resistance or interference of lid with drive cables, weatherstrip, etc. due to maladjustment of lid	Check drive cable and guide rails for foreign matter Check for loose motor installation and damaged pinion Adjust Adjust or replace
Noise in motor (Clutch slipping noise made in motor when lid is fully opened or closed is not unusual noise.)	Incorrect engagement of motor pinion with drive cable Worn or damaged motor pinion bearing Worn or deformed drive cable	Check pinion installation and retighten motor Replace motor assembly Replace
Door glass fails to operate up and down	Incorrect window glass installation Damaged or faulty regulator arm or regulator	Adjust position Correct or replace
Door does not open or close completely	Incorrect door installation Defective door check Door hinge required grease	Adjust position Correct or replace Apply grease
Hood does not open or close completely	Striker and latch not properly aligned Incorrectly installed hood Incorrect hood bumper height	Adjust Adjust Adjust
Door hard to open	Incorrect latch or striker adjustment	Adjust
Water leak through windshield and rear window	Defective seal Defective body flange	Fill sealant Correct

Symptom	Probable cause	Remedy
Wind noise around door	Weatherstrip not holding firmly Improperly installed weatherstrip or setting of weatherstrip Improperly closed door Improperly fit door Improper clearance between door glass and division channel Deformed door	Adjust fit of door Repair or replace  Adjust Adjust Adjust  Repair or replace

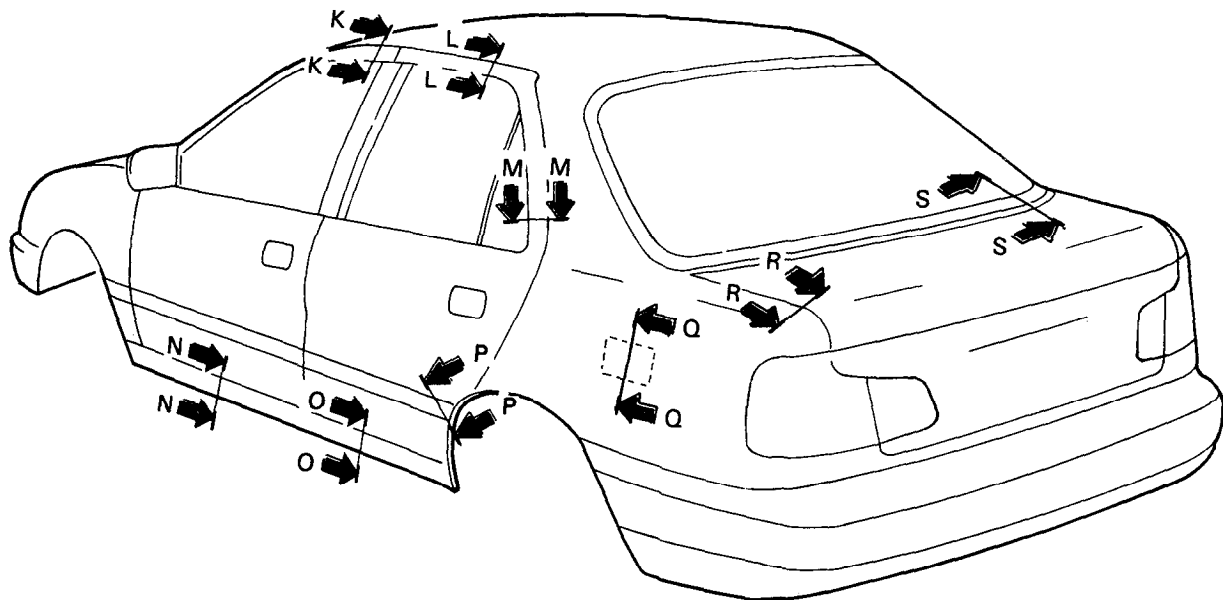
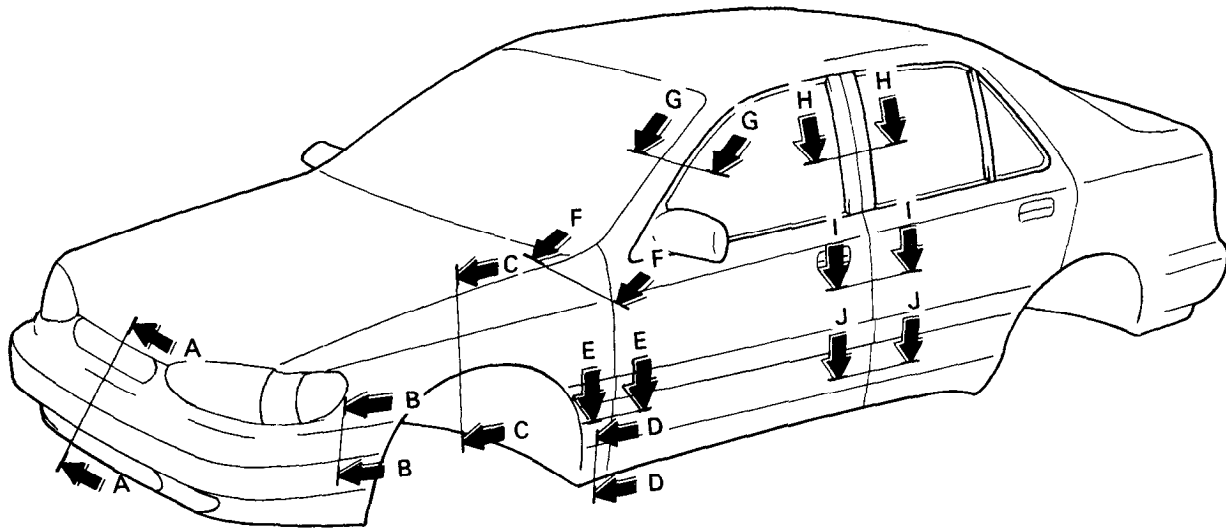
BODY PANELING

COMPONENTS

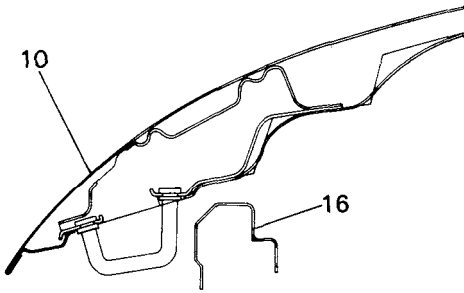


- |   |                                       |
|---|---------------------------------------|
| 1. Member assy, radiator support upper  | 14. Rail assy, roof rear              |
| 2. Panel assy, radiator support         | 15. Panel assy, rear door             |
| 3. Member assy, radiator support lower  | 16. Panel assy, cowl side outer upper |
| 4. Bracket assy, front bumper mounting  | 17. Panel assy, center floor          |
| 5. Panel assy, shock absorber housing   | 18. Panel assy, front filler          |
| 6. Panel assy, cowl top                 | 19. Member assy, front seat cross     |
| 7. Member assy, front side              | 20. Panel assy, center filler         |
| 8. Panel assy, dash                     | 21. Panel assy, side sill outer       |
| 9. Panel assy, fender apron upper outer | 22. Panel assy, interm floor          |
| 10. Panel assy, front door              | 23. Panel assy, rear floor            |
| 11. Rail assy, roof front               | 24. Panel assy, back                  |
| 12. Panel assy, roof                    | 25. Panel assy, quarter outer         |
| 13. Rail assy, roof center              | 26. Panel assy, rear packagetray      |

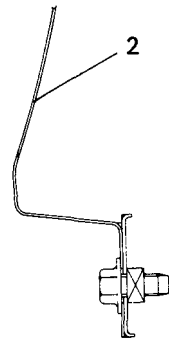
CROSS SECTIONAL VIEWS



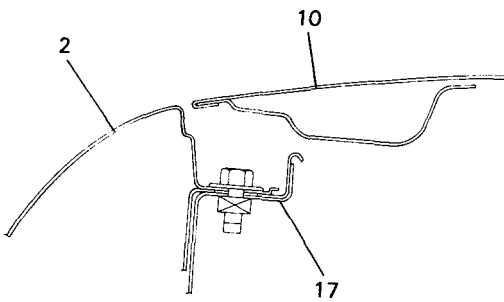




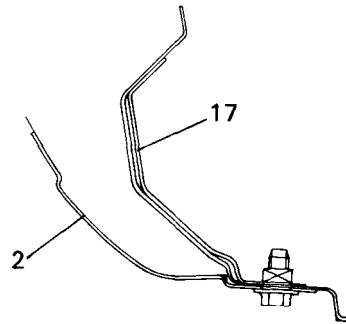
SECTION A-A



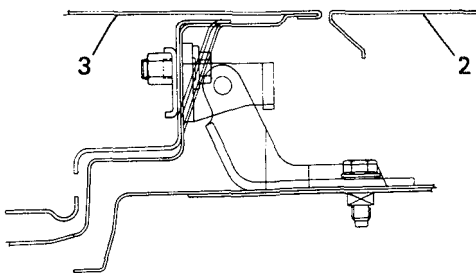
SECTION B-B



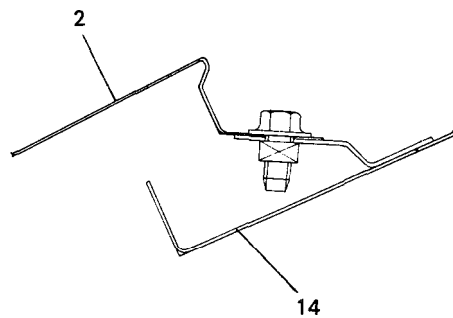
SECTION C-C



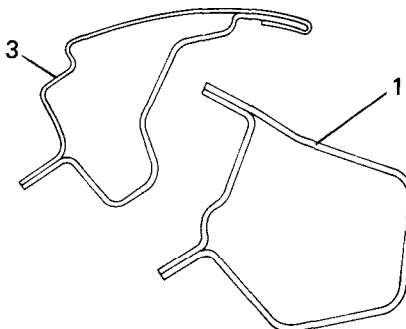
SECTION D-D



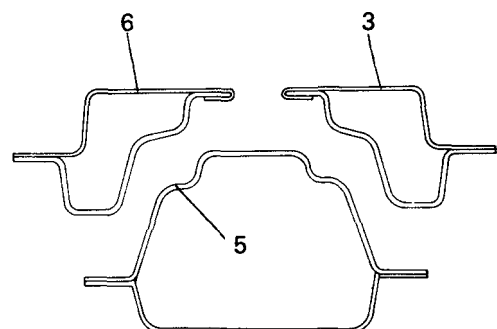
SECTION E-E



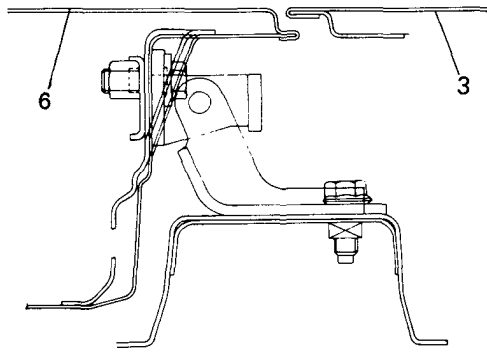
SECTION F-F



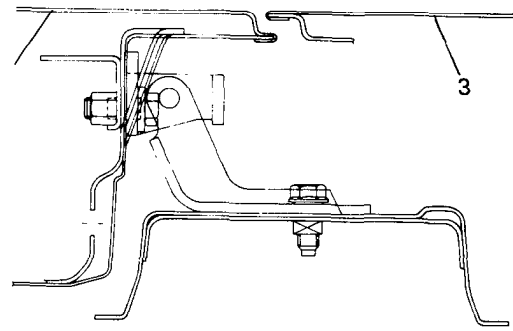
SECTION G-G



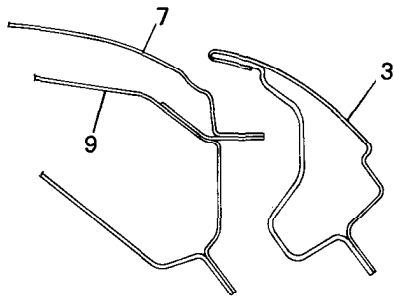
SECTION H-H



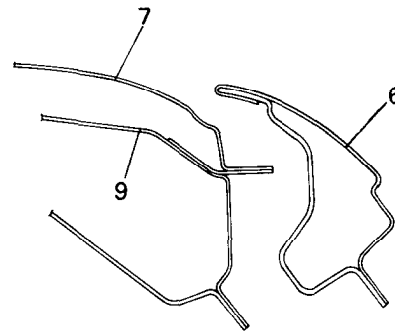
SECTION I-I



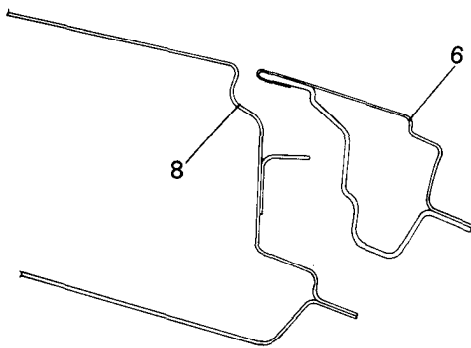
SECTION J-J



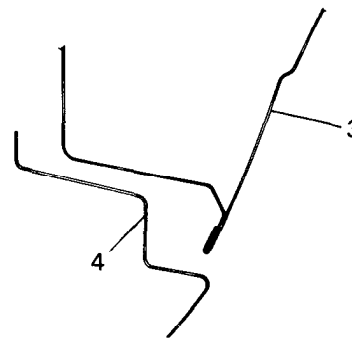
SECTION K-K



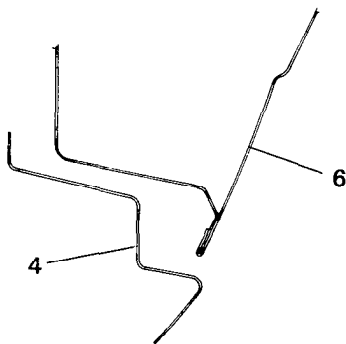
SECTION L-L



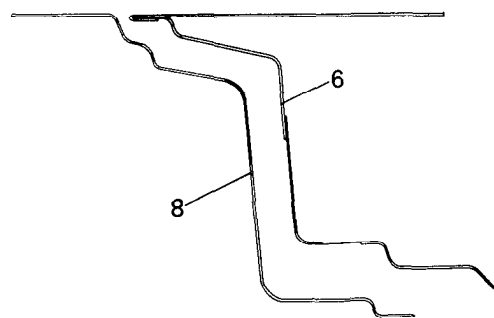
SECTION M-M



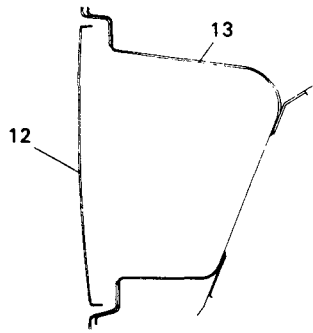
SECTION N-N



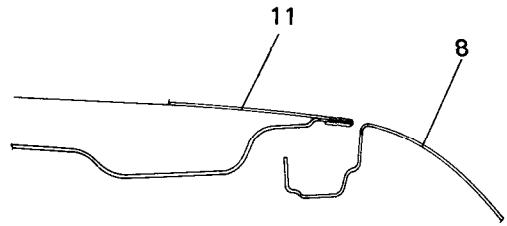
SECTION O-O



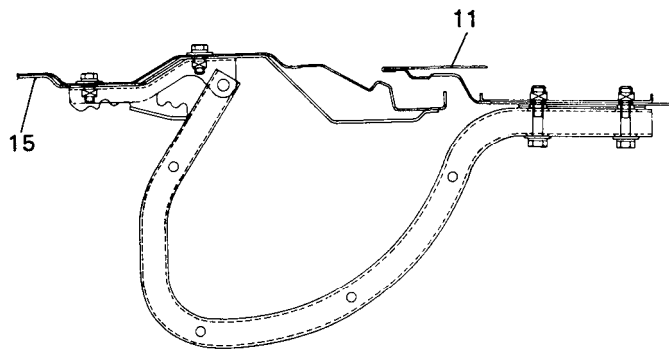
SECTION P-P



SECTION Q-Q



SECTION R-R

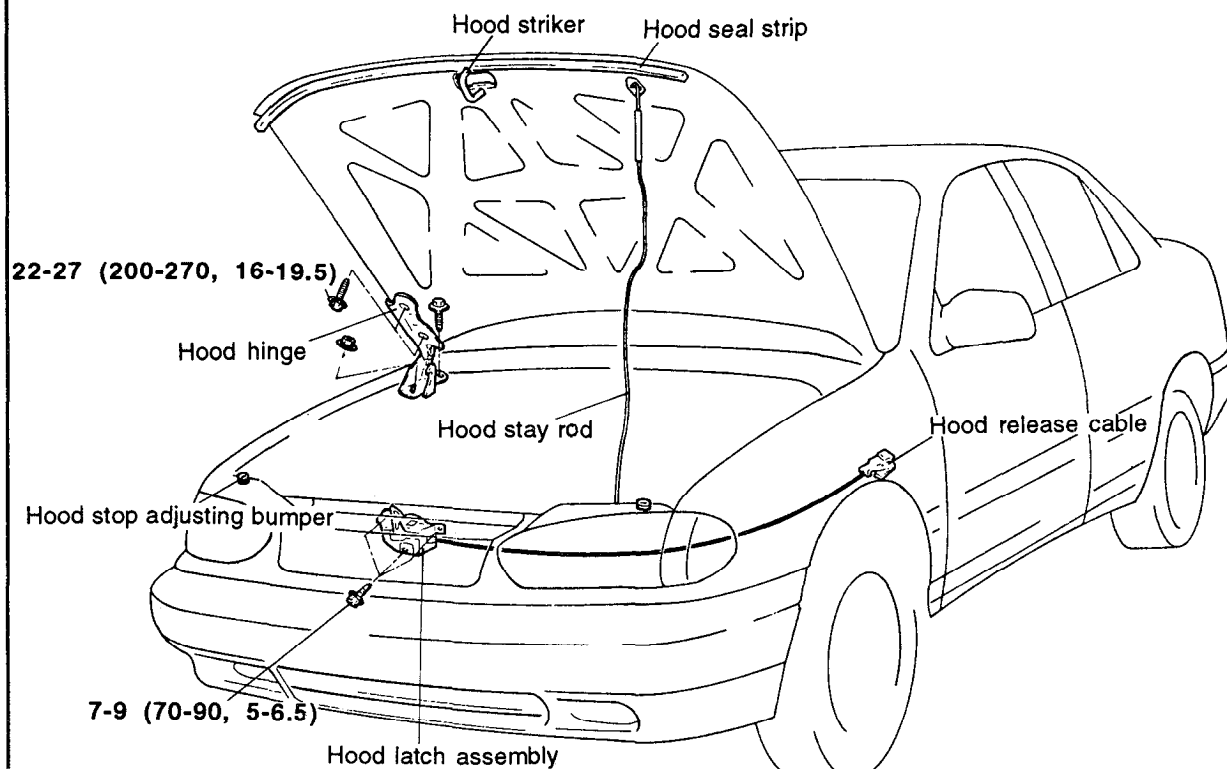


SECTION S-S

- |                               |                                   |
|-------------------------------|-----------------------------------|
| 1. Front pillar               | 10. Hood panel                    |
| 2. Fender panel               | 11. Trunk lid                     |
| 3. Front door panel           | 12. Fuel filler door              |
| 4. Side sill outer panel      | 13. Fuel filler housing           |
| 5. Center pillar              | 14. Cowl inner lower panel        |
| 6. Rear door panel            | 15. Package tray panel            |
| 7. Roof panel                 | 16. Radiator upper support member |
| 8. Quarter outer panel        | 17. Fender apron panel            |
| 9. Roof side outer upper rail |                                   |

## HOOD

## COMPONENTS



**TORQUE : Nm (kg.cm, lb.ft)**

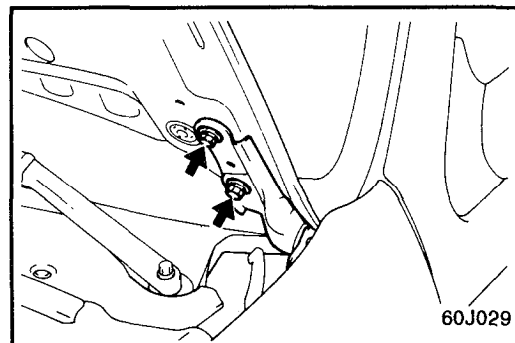
60J028

## REMOVAL

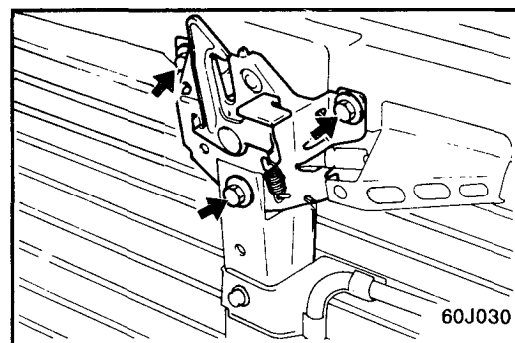
1. Remove the hood mounting bolts, and then remove the hood.

**CAUTION**

Protect the front body area with a cloth so as not to cause damage with the hood.

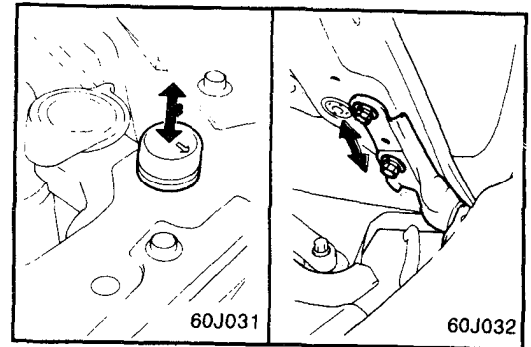


2. Remove the hood lock.
3. Remove the hood cable by opening the clip.
4. Loosen the cable holder screws.
5. Pull the cable nut to the cab side.

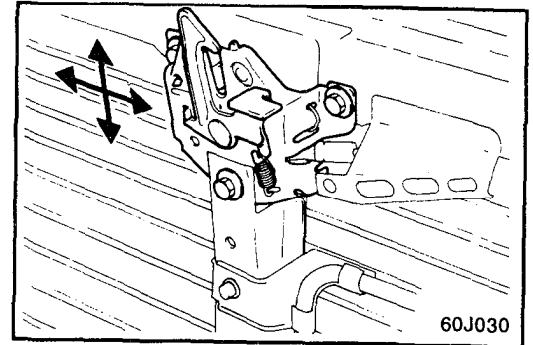


**ADJUSTMENT****Hood Hinge**

1. Loosen the hood hinge mounting bolt.
2. Adjust the longitudinal and lateral positions of the hood by utilizing the oblong holes in the hinge.
3. Adjust front edge of hood in vertical direction by adjusting the hood stop adjusting bumpers.

**Hood Latch**

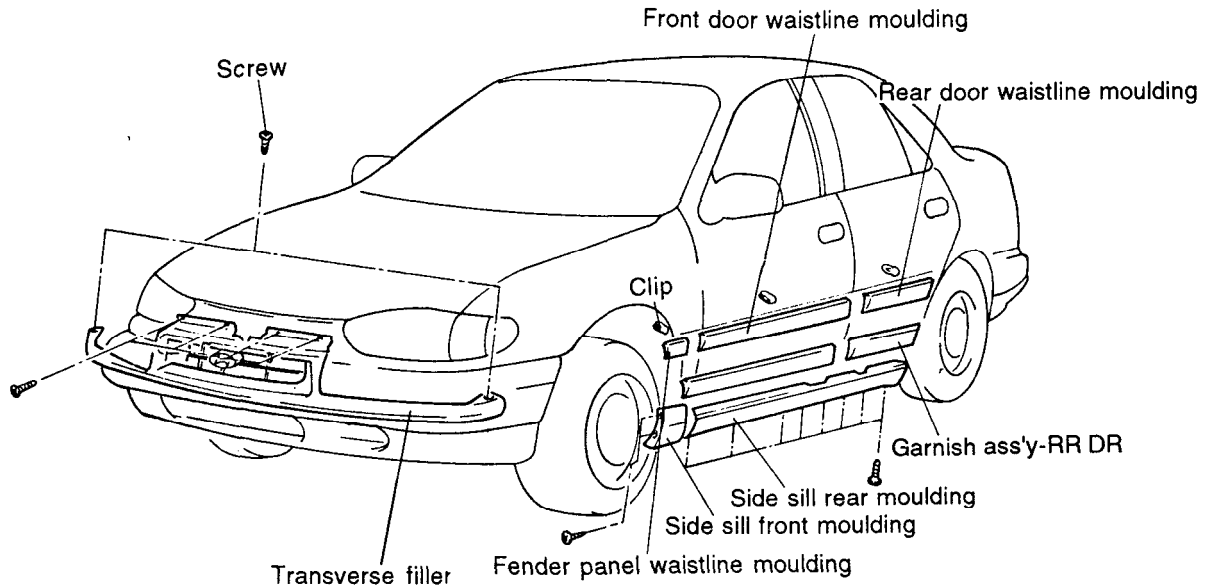
1. Loosen the hood lock mounting bolts.
2. Adjust the alignment of the hood latch by adjusting the longitudinal and lateral position of the lock, and by adjusting the height of the hood.

**INSTALLATION**

1. Installation is the reverse of the removal procedure.

## GRILLE AND MOULDING

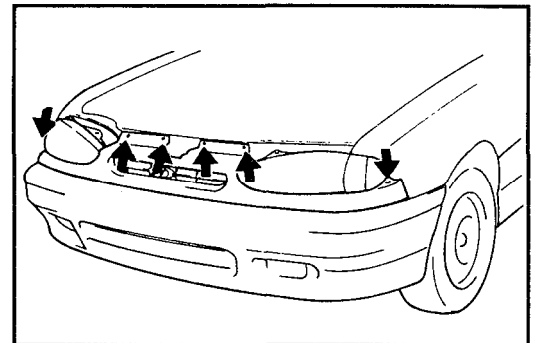
## COMPONENTS



## REMOVAL

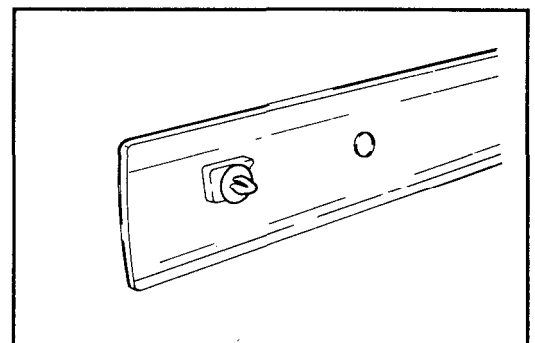
## Transverse filler

1. Remove the turn signal lamp
2. Unscrew tapping screws and remove the transverse filler.



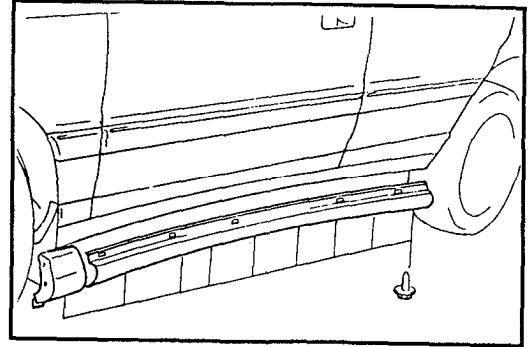
## Waistline Moulding

1. Beginning from either end, remove the waistline moulding from fender panel, front and rear doors.

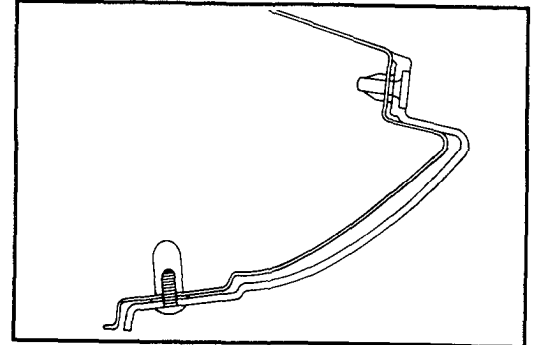


**Side Sill Moulding**

After removal of the mud guard, remove the side sill moulding.

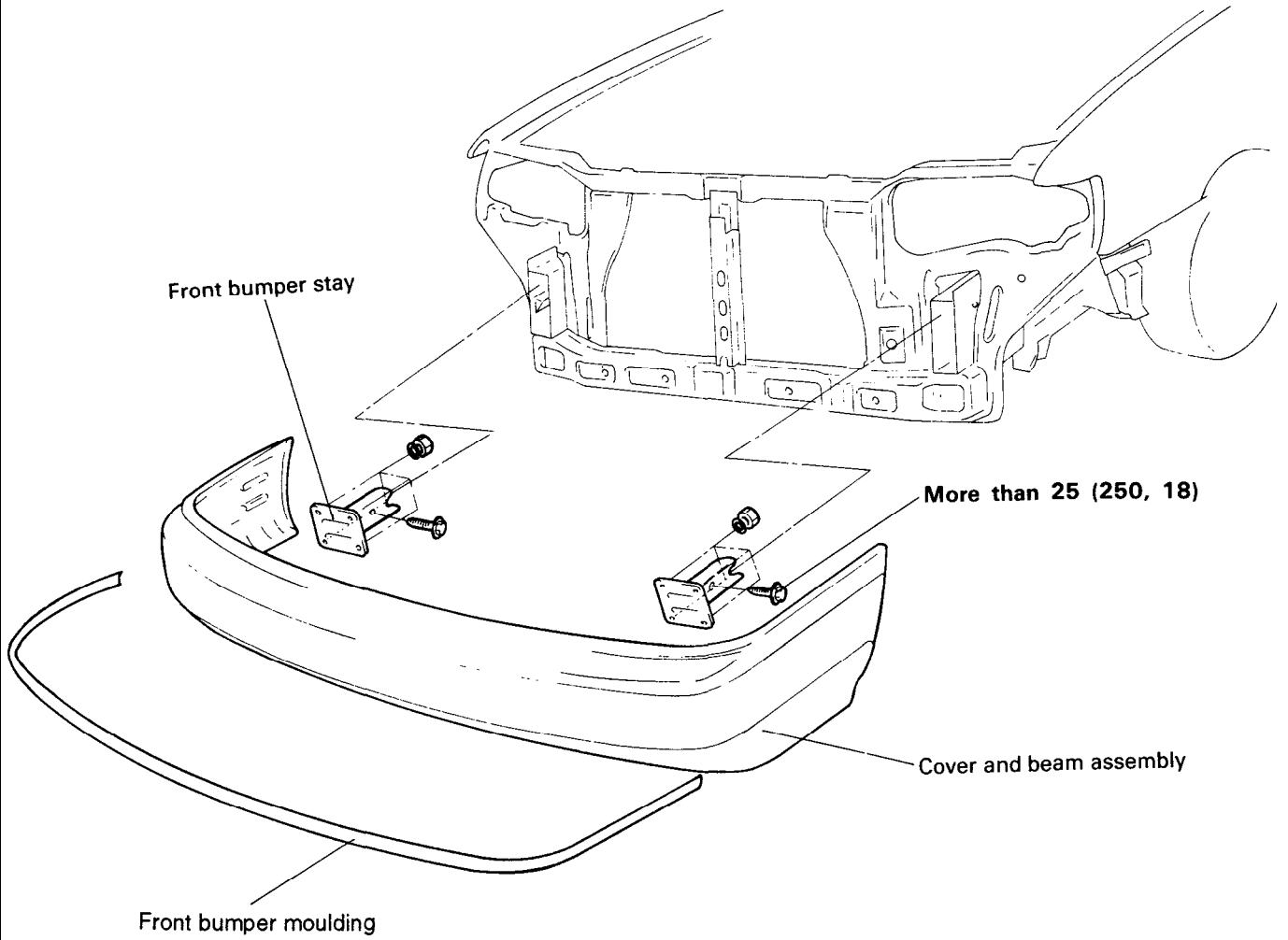
**INSTALLATION**

Clean the surfaces of the body to which adhesive will be applied by using a wax and grease remover.



# FRONT BUMPER

## COMPONENTS

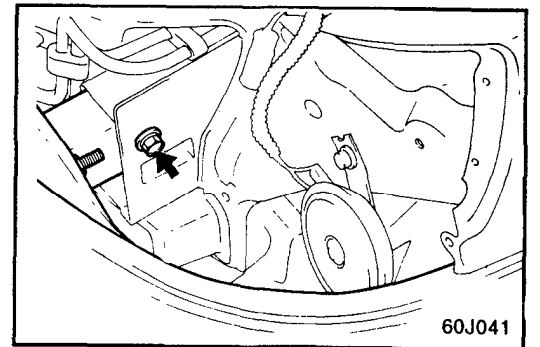
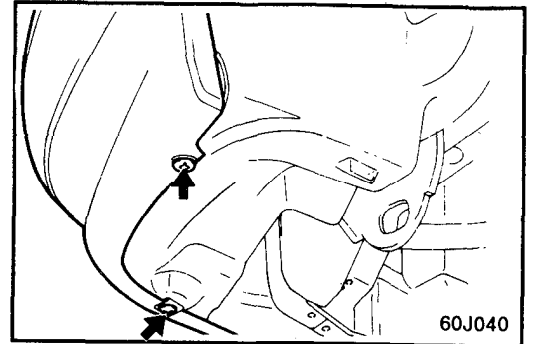
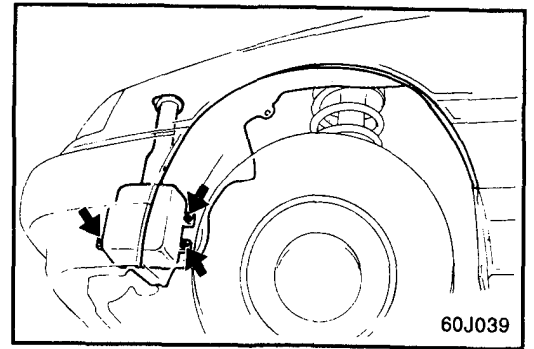


**TORQUE : Nm (kg.cm, lb.ft)**



**REMOVAL**

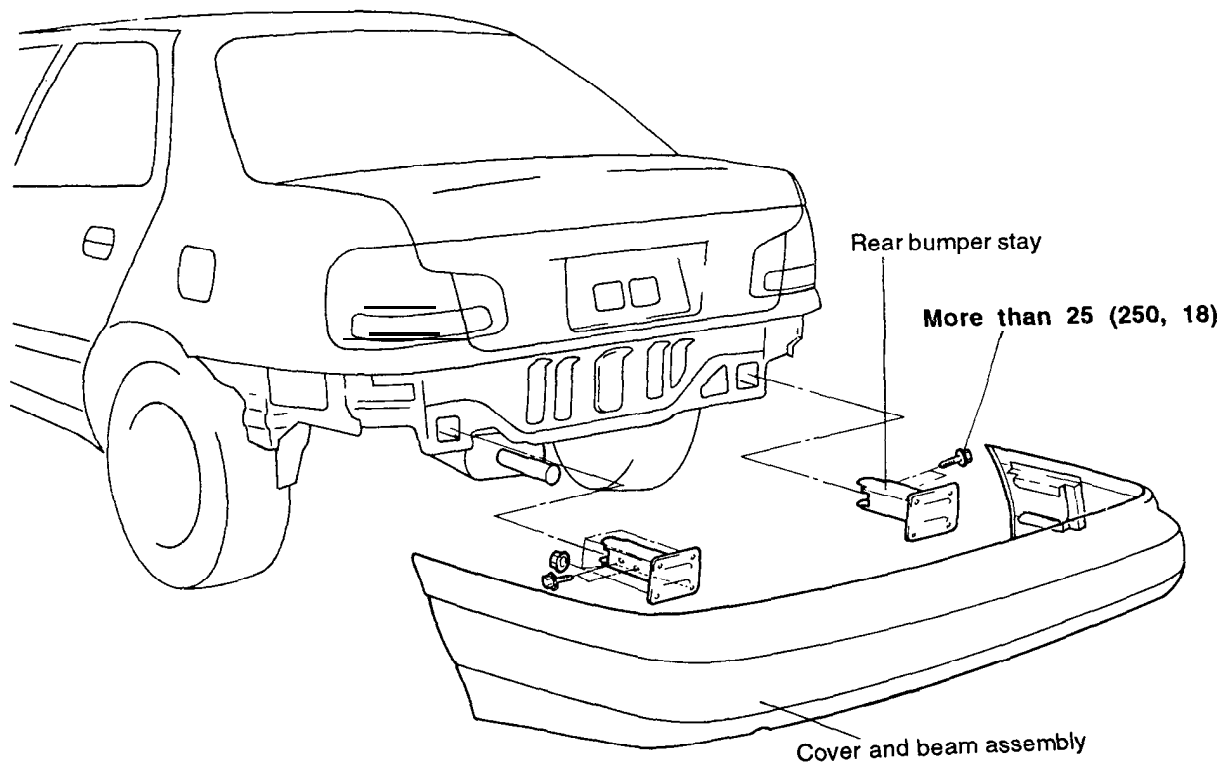
1. Remove the front wheel guard and reservoir tank.
2. Remove the mounting bolts from the lower side of front bumper cover.
3. Remove the bumper stay-to-body bolts and remove the front bumper.

**INSTALLATION**

1. Installation is the reverse of the removal procedure.

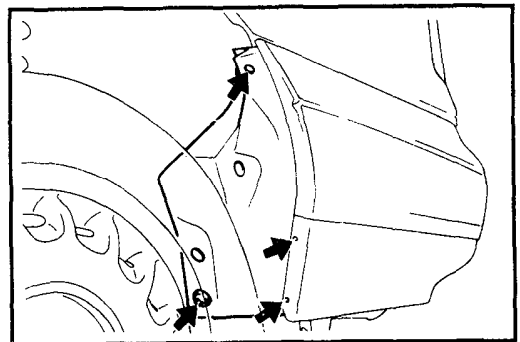
## REAR BUMPER

## COMPONENTS

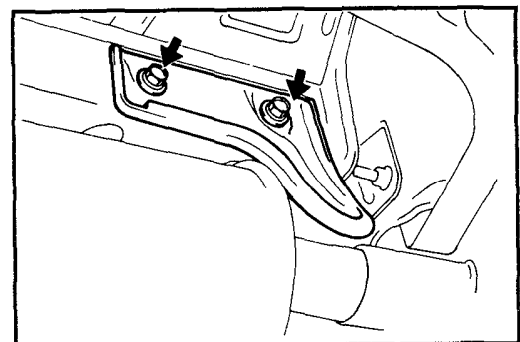


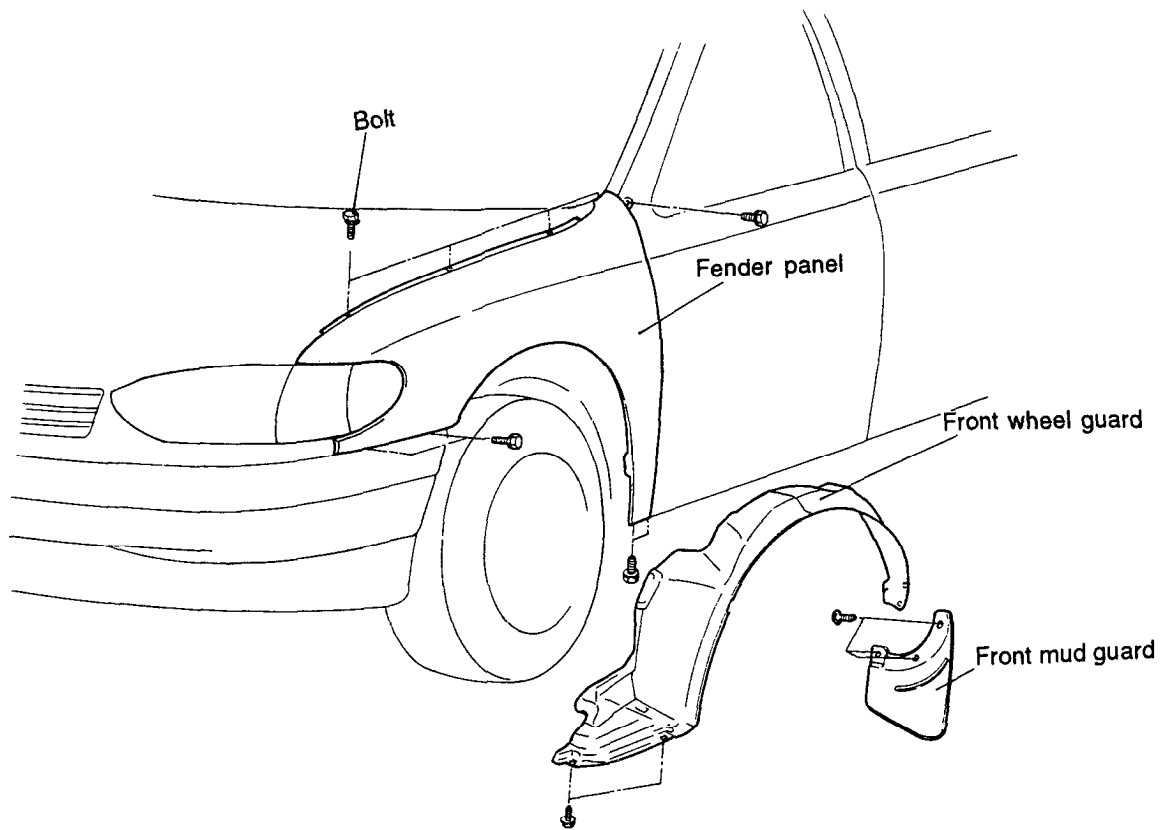
## REMOVAL

1. Remove the mud guard and the wheel guard.

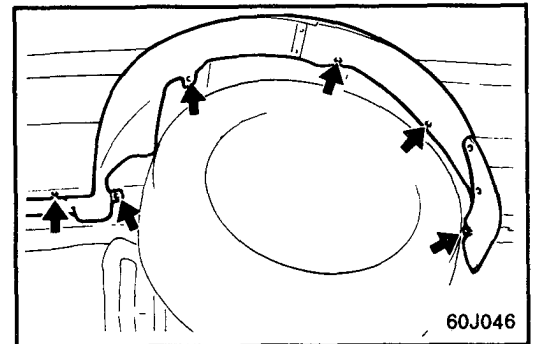


2. Remove the bumper stay-to-body bolts.

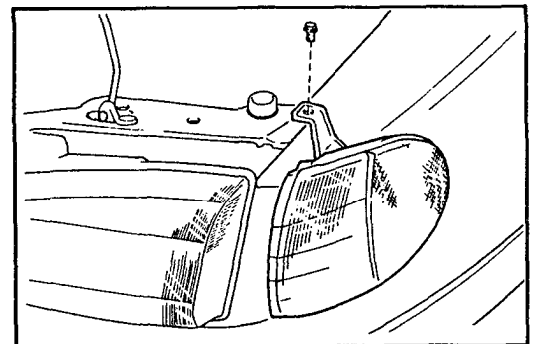


**FENDER****COMPONENTS****TORQUE : Nm (kg.cm, lb.ft)****REMOVAL**

1. Remove the mud guard and wheel guard by loosening the screws.



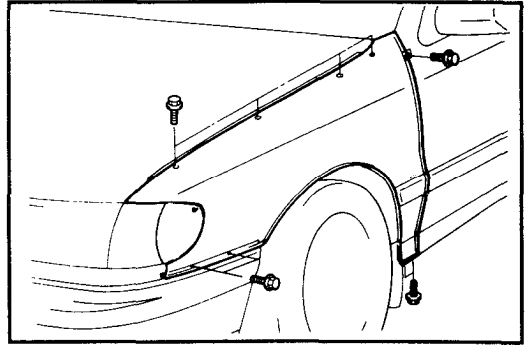
2. Disconnect the front turn signal lamp connector.
3. Remove the front turn signal lamp.



4. Remove the fender mounting bolts.

**CAUTION**

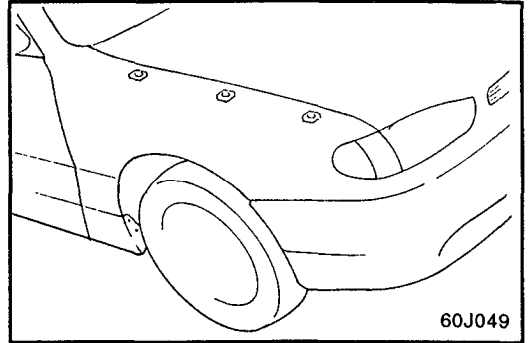
Use care to avoid damaging the paint.

**INSTALLATION**

1. installation is the reverse of the removal procedure.

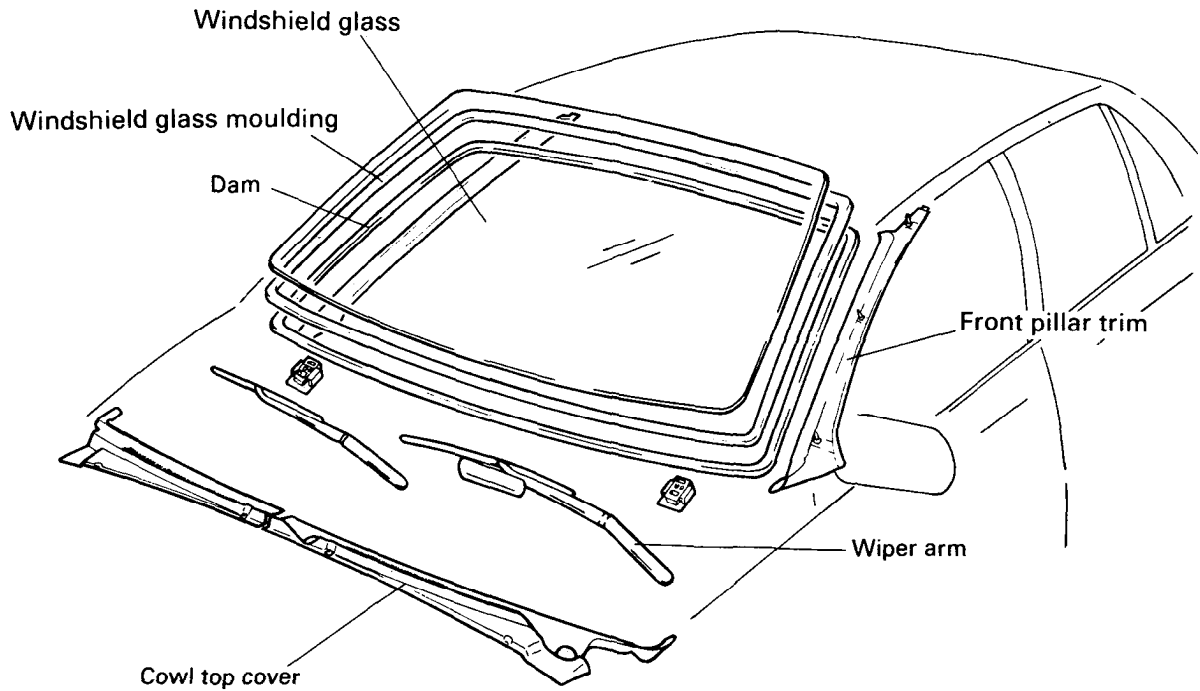
**NOTE**

In order to prevent the fender mounting bolt area from forming rust, apply tape sealer between the fender and the body panel.



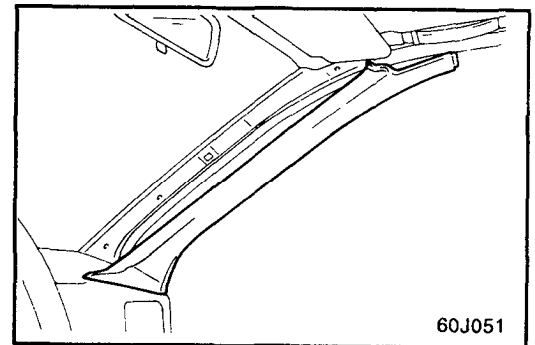
## WINDSHIELD

## COMPONENTS



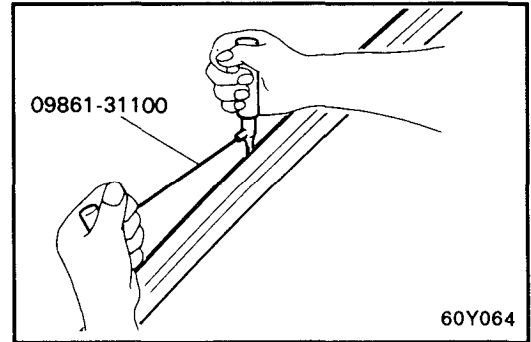
## REMOVAL

1. Pry out the clips by your hand.
2. Remove the front pillar garnish.
3. To remove the windshield, first remove the following parts:
  - 1) Inside rear view mirror and pillar trims.
  - 2) Wiper arms.
  - 3) Cowl top cover.



60J051

- Use the special tool (09861-31100) to cut through the wind shield sealant.

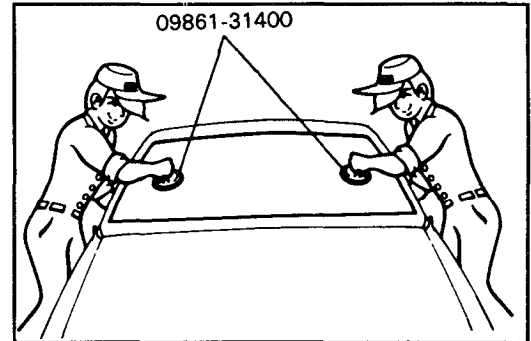


- Make mating marks on the glass and body if the glass is to be reinstalled.

**NOTE**

Use chalk or equivalent to make mating marks on the glass and body.

- Take out the windshield glass with special tool, Glass Holder.



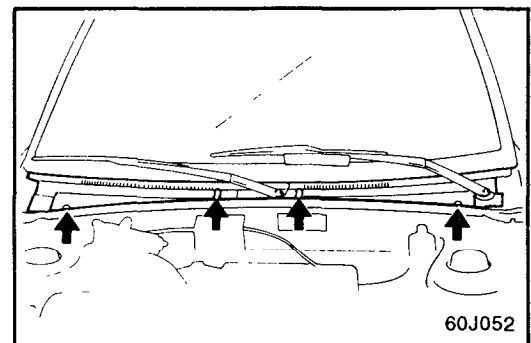
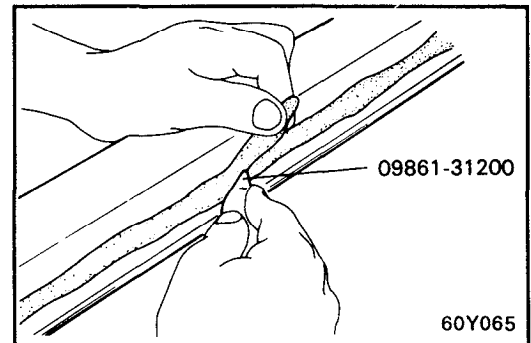
## INSTALLATION

- Using a cutter knife or the special tool, scrape the old sealant smoothly to a thickness of about 2 mm on the bonding surface around the entire windshield flange.

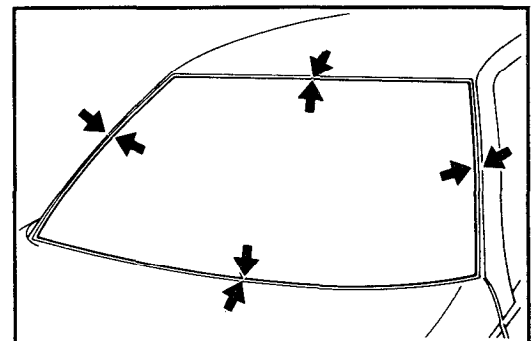
**CAUTION**

Be careful not to remove more adhesive than necessary, and also not to damage the paintwork on the body surface with the knife. If the paintwork is damaged, repair the damaged area with touch-up paint.

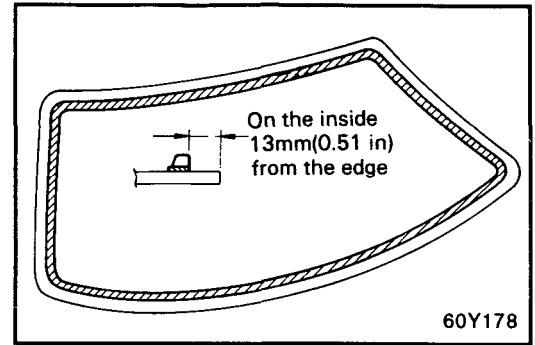
- Clean the body bonding surface with a sponge dampened in alcohol or wax and grease remover.
- Install the cowl top cover mounting retainers at the locations as shown in illustration.



- Center a new windshield in the opening. Mark the location by scribing lines across the glass and body with a grease pencil at the four points as shown.



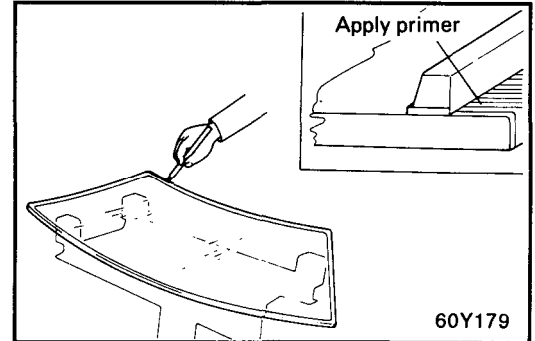
5. Glue the rubber dam to the inside surface of the windshield around the entire edge as shown, to contain the sealant during installation.



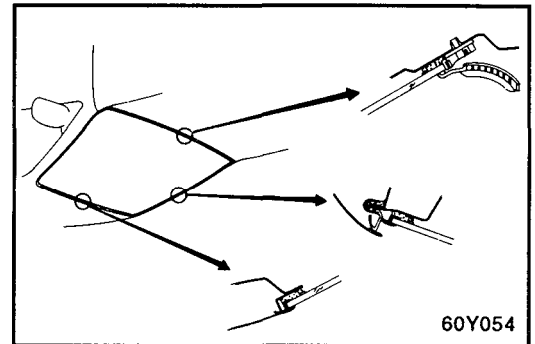
6. Apply a light coat of glass primer to the outside of the dam.

**NOTE**

- 1) Do not apply body primer to the glass.
- 2) Never touch the primed surfaces with your hand. If you do, the adhesive may not bond to the glass properly, causing a leak after the windshield is installed.
- 3) Keep water, dust, and abrasive materials away from the primed surface.



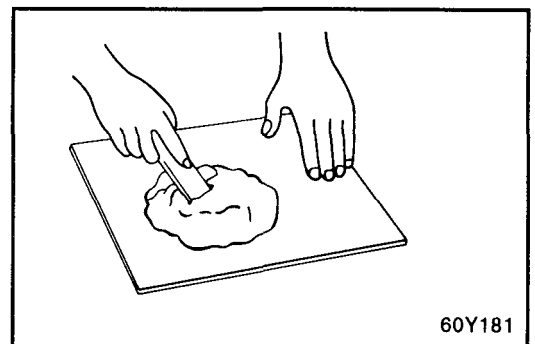
7. Apply a light coat of body primer to the original sealant remaining around the window opening flange. The glass should be installed 10 minutes after you apply the primer.



8. Thoroughly mix all the sealant and hardener together on a glass or metal plate with a putty knife.

**NOTE**

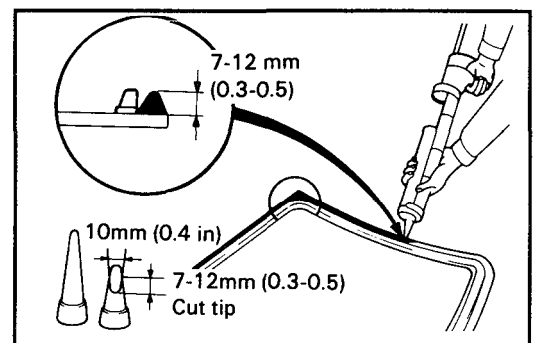
1. Clean the plate with a sponge and alcohol before mixing.
2. Follow the instructions that come with the sealant.



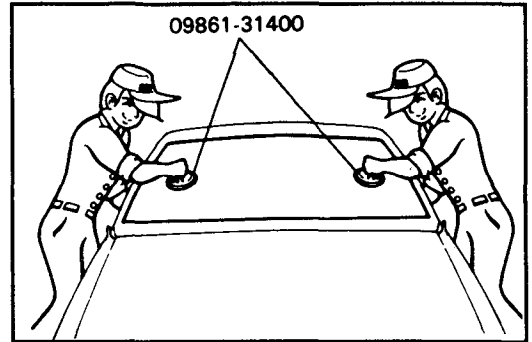
9. Pack adhesive into the cartridge avoiding air pockets, to ensure continuous delivery. Put the cartridge in a caulking gun or Sealant gun, and run a bead of adhesive around the edge of the glass as shown.

**NOTE**

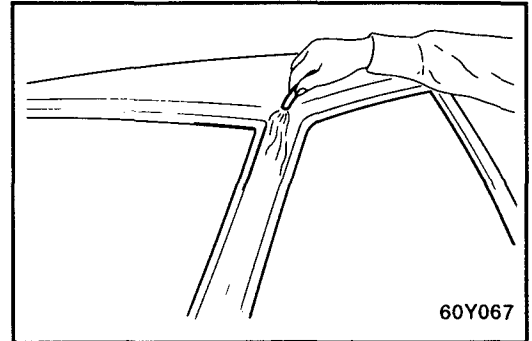
Apply the adhesive within 5 minutes after applying the glass primer.



10. Use suction cups or special tool (09861-31300) lower the glass over the opening align it with the marks made in step 4 and set it down on the sealant, insert two lower spacers to prevent the windshield from moving downward.
11. Scrape or wipe excess adhesive off with putty knife or gauze. Fill all cavities around the windshield.



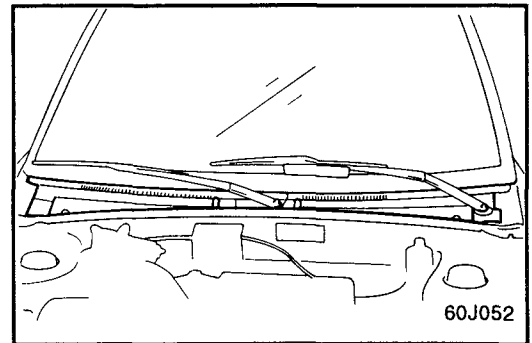
12. Perform the water-test for the windshield. Use a cold water spray, being careful not to direct a powerful stream of water on the new adhesive material. Allow water to spill over the edges of the glass.
13. If there are leaks, apply sealant at the leak points.



14. Install the cowl top cover. Reinstall the front pillar trims and wiper arms.

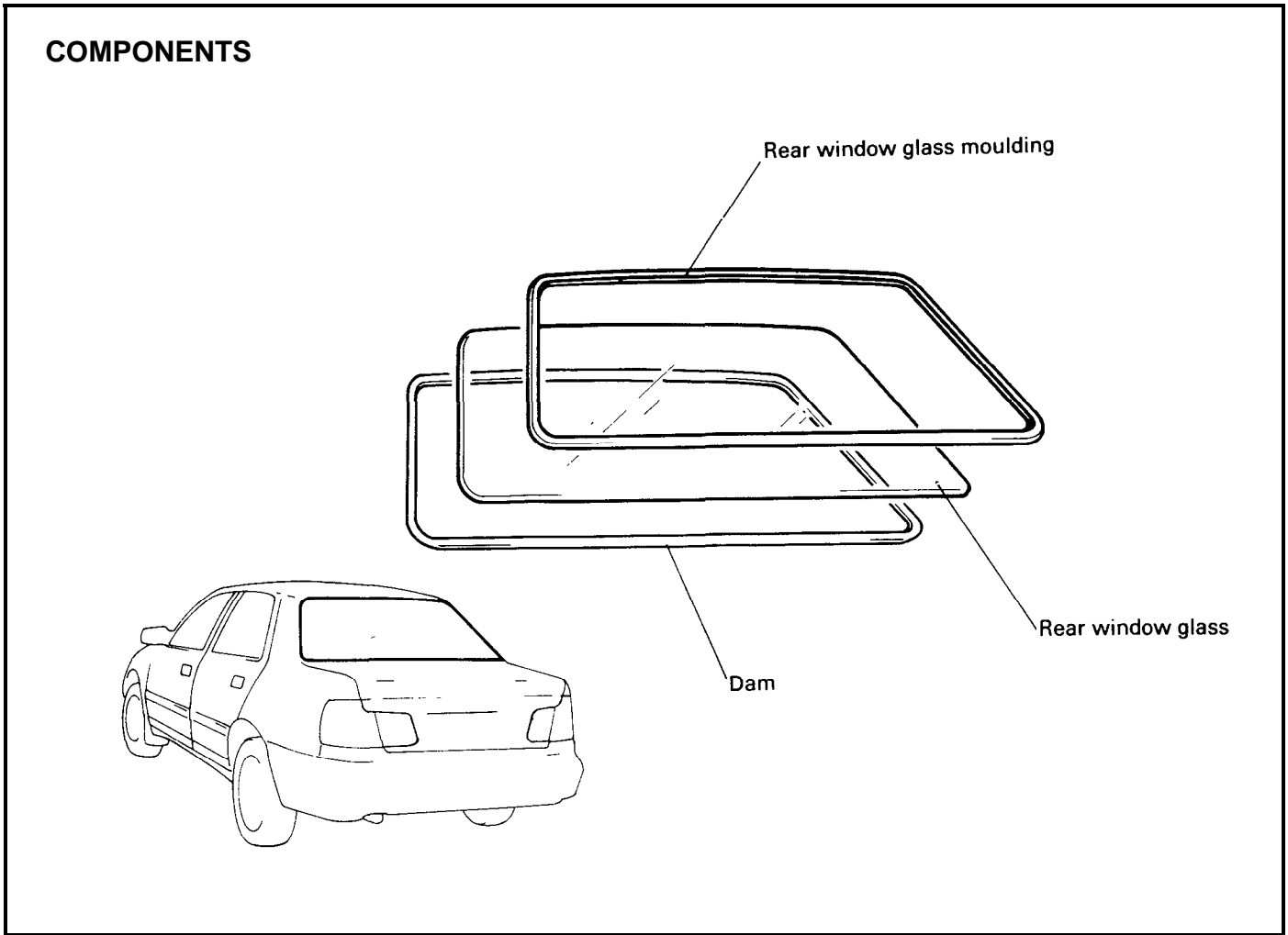
**CAUTION**

**Make sure the sealant has set sufficiently before putting the vehicle back into operation.**



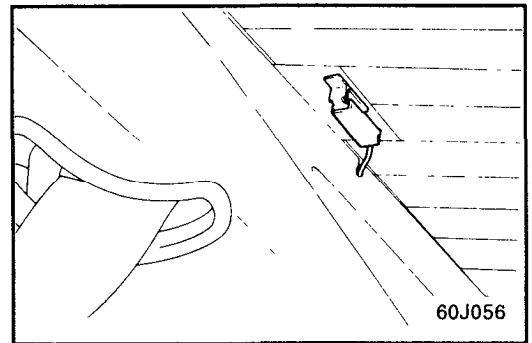


REAR WINDOW GLASS

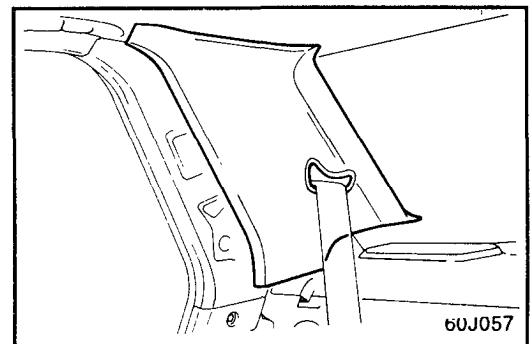


**REMOVAL**

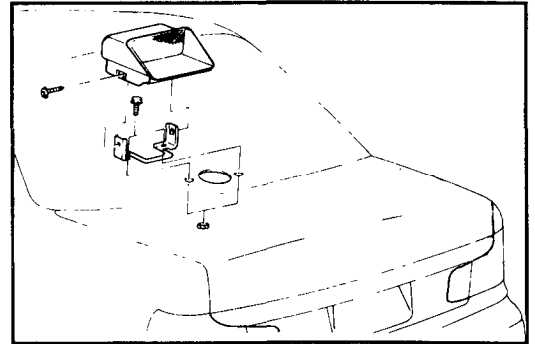
1. Remove the defogger wire connector.



2. To remove the rear window glass, first remove the following parts;
  - 1) Rear pillar garnish
  - 2) Rear seat belt anchor bolt.

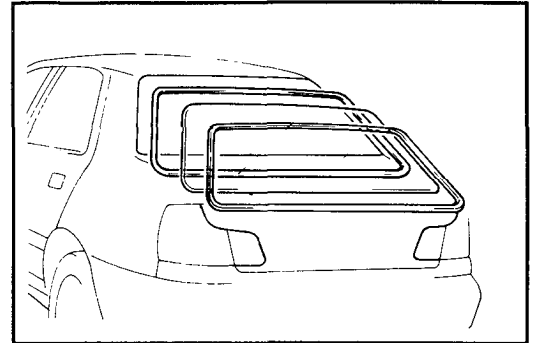


- 3) High mounted stop lamp.
- 4) Package tray trim.
3. Remove the rear window glass assembly.



## INSTALLATION

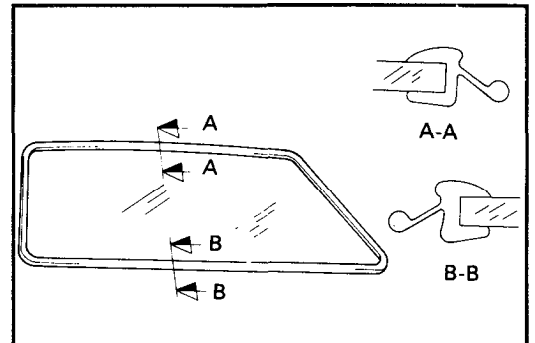
1. Install the rear window glass moulding to the rear window glass.



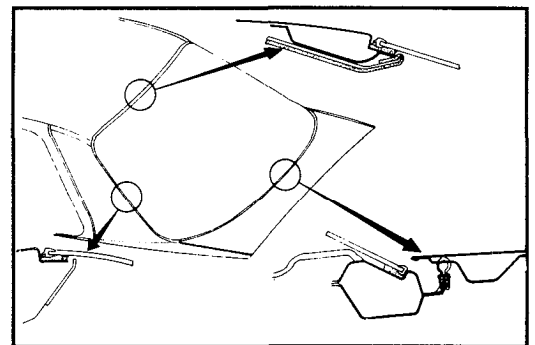
2. Apply a light coat of glass primer to the outside of the dam.

### NOTE

- 1) Do not apply body primer to the glass.
- 2) Never touch the primed surfaces with your hand.  
If you do, the adhesive may not bond to the glass properly, causing a leak after the windshield is installed.
- 3) Keep water, dust, and abrasive materials away from the primed surface.



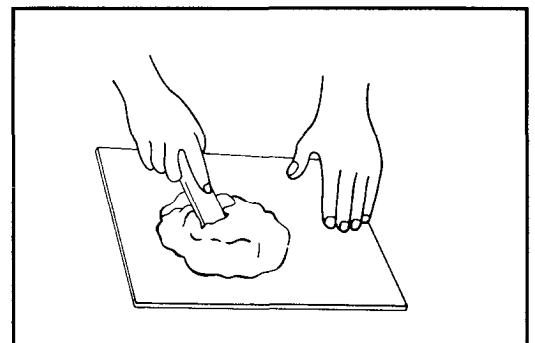
3. Apply a light coat of body primer to the original sealant remaining around the window opening flange. The glass should be installed 10 minutes after you apply the primer.



4. Thoroughly mix all the sealant and hardener together on a glass or metal plate with a putty knife.

### NOTE

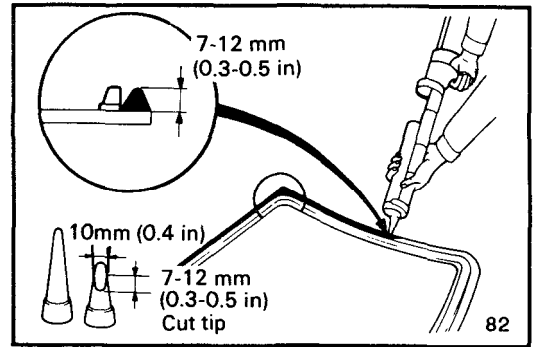
- 1) Clean the plate with a sponge and alcohol or wax or grease remover before mixing.
- 2) Follow the instructions that come with the sealant.



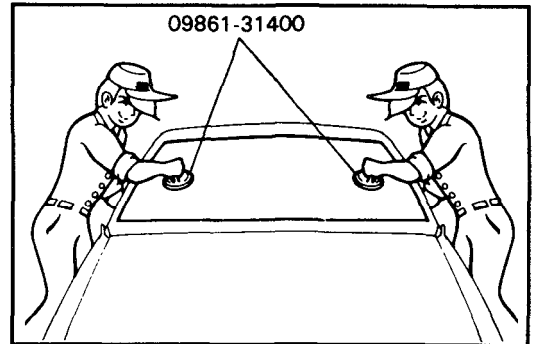
5. Pack adhesive into the cartridge (avoid air pockets), to ensure continuous delivery. Put the cartridge in a caulking gun or Sealant Gun, and run a bead of adhesive around the edge of the glass as shown.

**NOTE**

**Apply the adhesive within 5 minutes after applying the glass primer.**

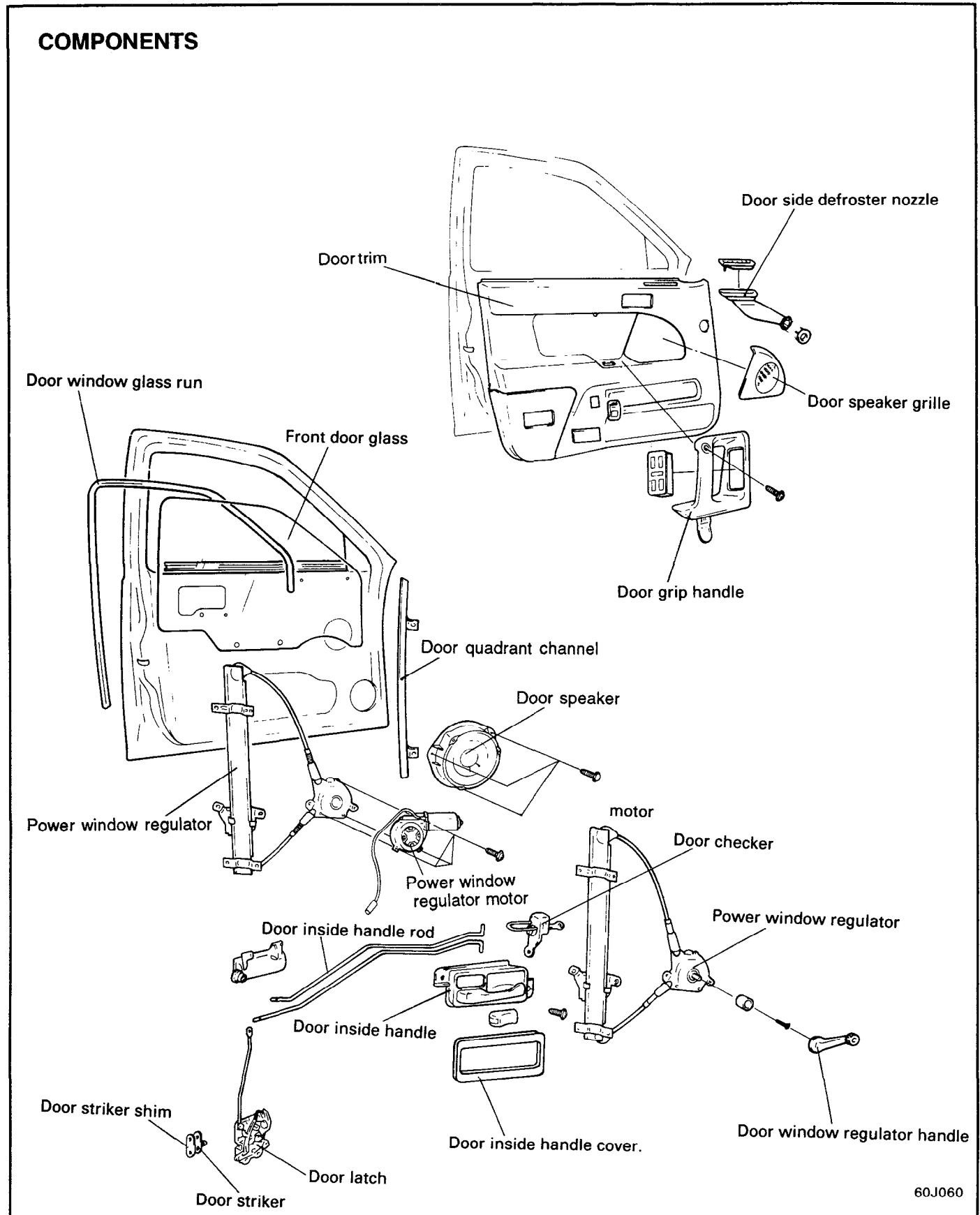


6. Using the special tool, install the rear window glass.



FRONT DOOR

COMPONENTS

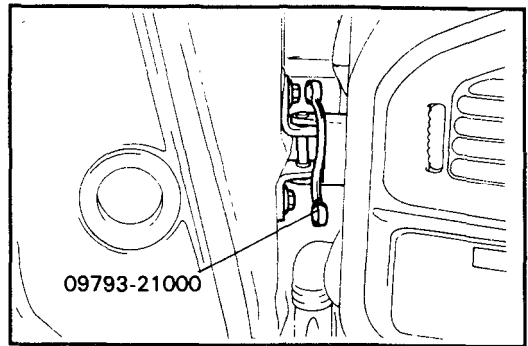


**DOOR POSITION ADJUSTMENT**

Check for flush fit with the body, then check for equal gap between the front and rear, top and bottom door edges and the body. The door and body edges should also be parallel. Adjust at the hinge with the Special Tool (09793-21000).

**CAUTION**

Attach protective tape to the fender edges near the place where the hinge is installed.



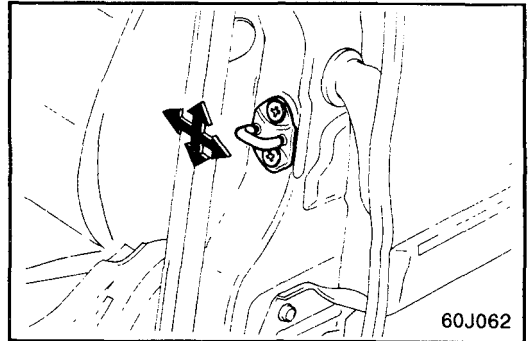
**DOOR STRIKER ADJUSTMENT**

Make sure the door is not loose, and latches securely without slamming. If it needs adjustment;

1. Draw a line around the striker plate for reference.
2. Loosen the striker screws, and move the striker IN or OUT to make the latch fit tighter or looser. Move the stiker UP or DOWN to align it with the latch opening. Then lightly tighten the screws and recheck.

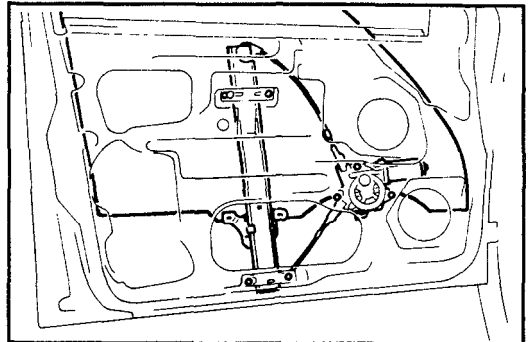
**NOTE**

Hold the outside handle out and push the door against the body to be sure the striker allows a flush fit.



**GLASS ADJUSTMENT**

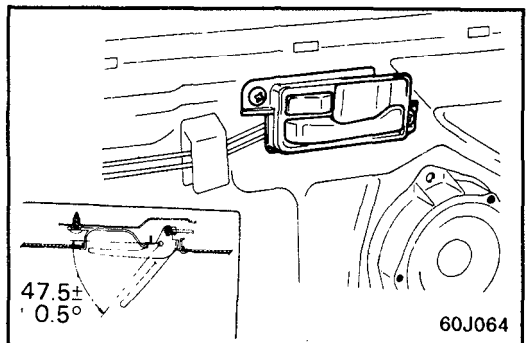
If the glass does not fit evenly when closed, adjust the slant of the glass in the front-to-back direction.



**INSIDE DOOR HANDLE ADJUSTMENT**

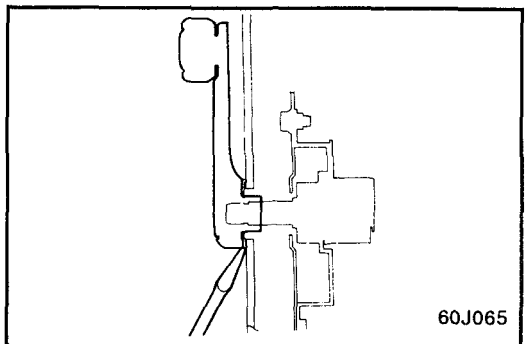
Adjust the inside handle play by adjusting the mounting position in the IN-to-OUT direction.

Full stroke [A] .....  $47.5 \pm 0.5^\circ$

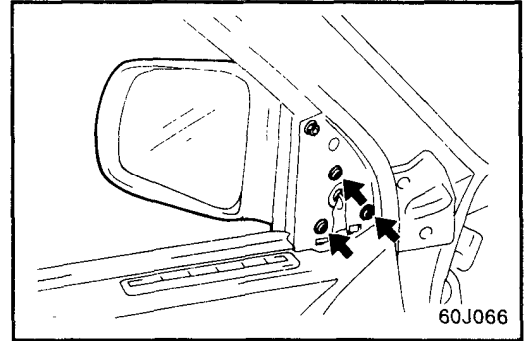


**REMOVAL**

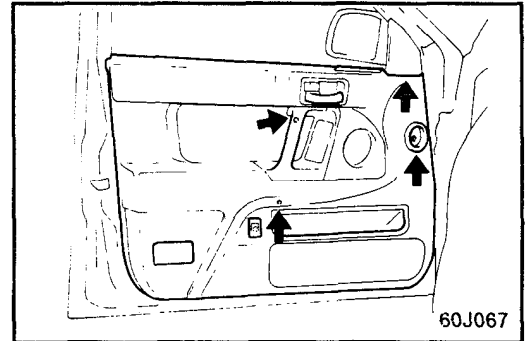
1. Using a screwdriver, remove the clip shown in the illustration to remove the regulator handle. (Manual type only)



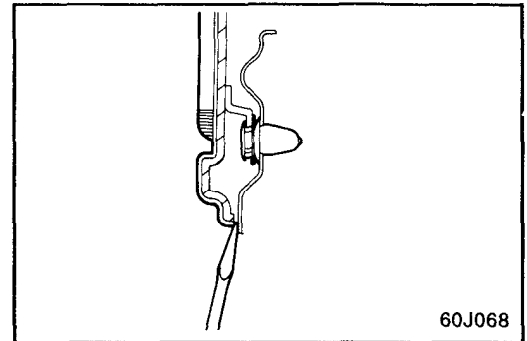
2. Remove the quadrant inner cover.
3. Remove the rear view mirror mounting screws and then remove the rear view mirror.  
Disconnect the remote control connector. (Electric type only)



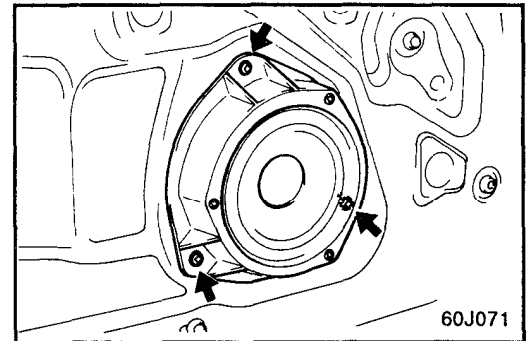
4. Remove the screws from the door trim and bezel side cover.



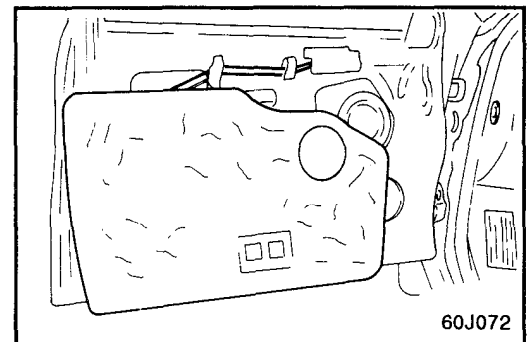
5. Insert a screwdriver between the trim fasteners and door panel to pry it loose.  
Disconnect the connectors (Power window, motor, Power window main switch, Door lock actuator).



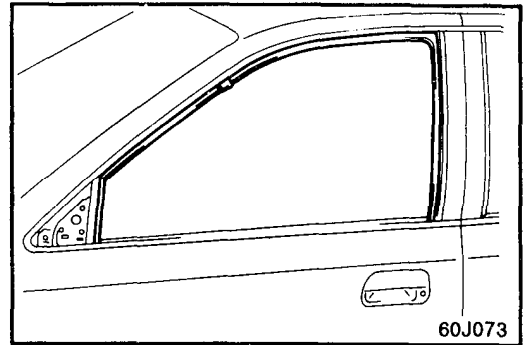
6. Remove the door speaker and speaker mounting bracket.



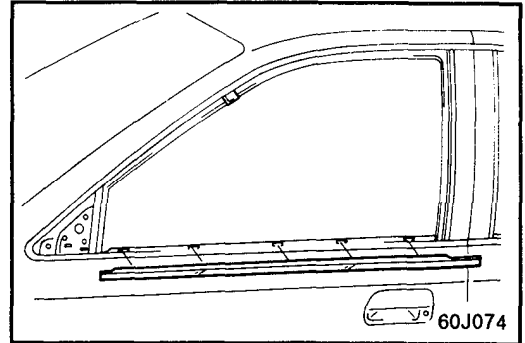
7. Remove the door trim seal.



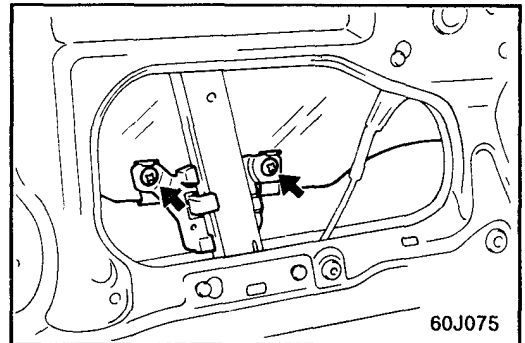
8. Remove the front door frame, rear moulding and the upper moulding.



9. Remove the front door belt outside weatherstrip.



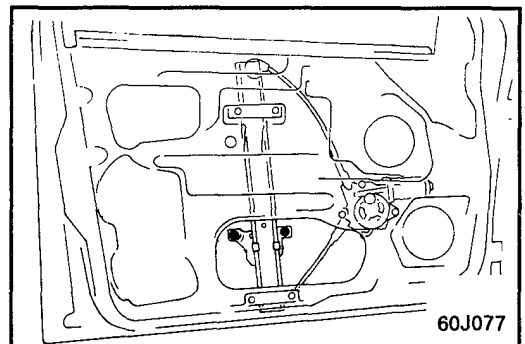
10. Remove the carrier plate bolts from the regulator channel.



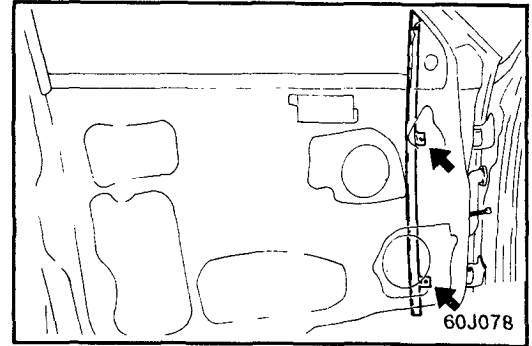
11. Pull the door glass out through the window slot.



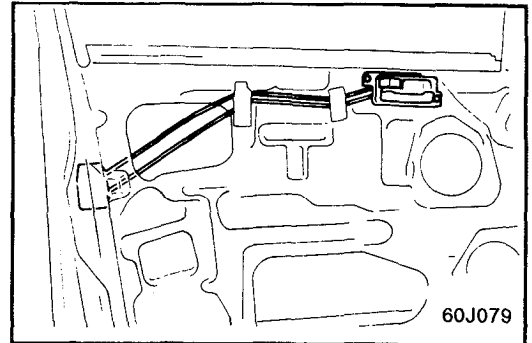
12. Remove the door regulator channel mounting bolts and then remove the door regulator assembly.



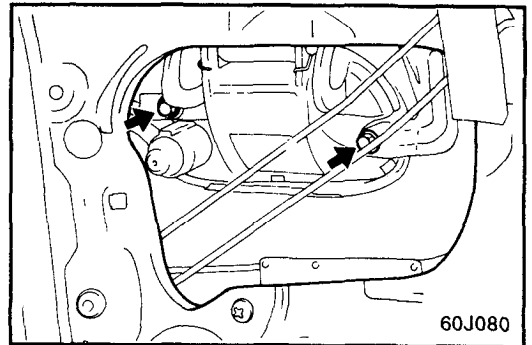
13. Remove the front door quadrant channel.



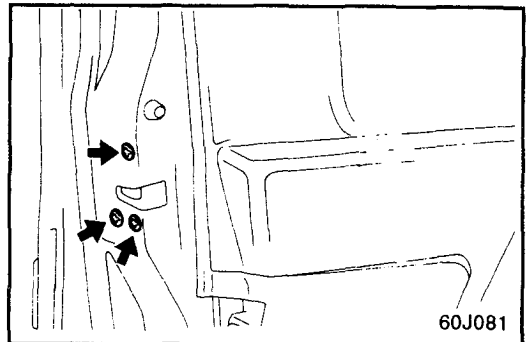
14. Remove the inside handle mounting screws.  
Turn the rod holding clip and then remove the rod from the latch assembly.



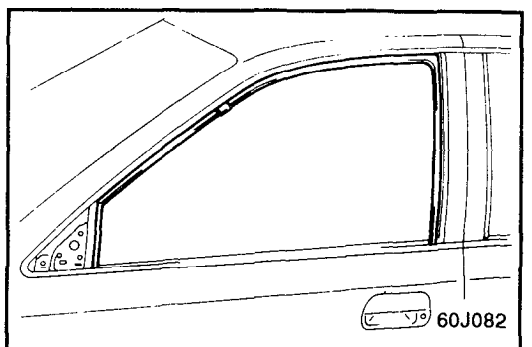
15. Remove the outside door handle mounting bolts.  
Disconnect the outside door handle rod from the outside door handle at the position shown.



16. Remove the door latch and door lock actuator.

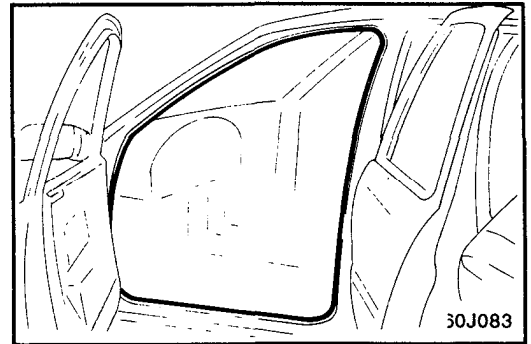


17. Remove the door frame moulding.





18. Remove the door glass run.

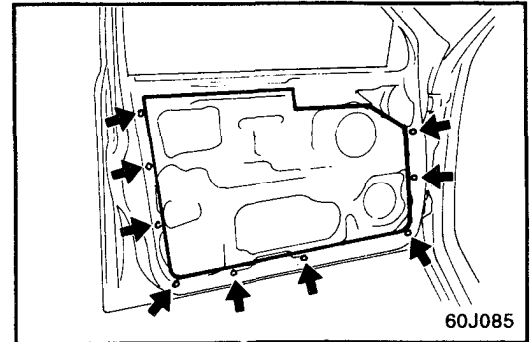


## INSTALLATION

1. Installation is the reverse of removal procedure.
2. If the door glass has been removed from the glass grip, be sure to install it in the correct position.

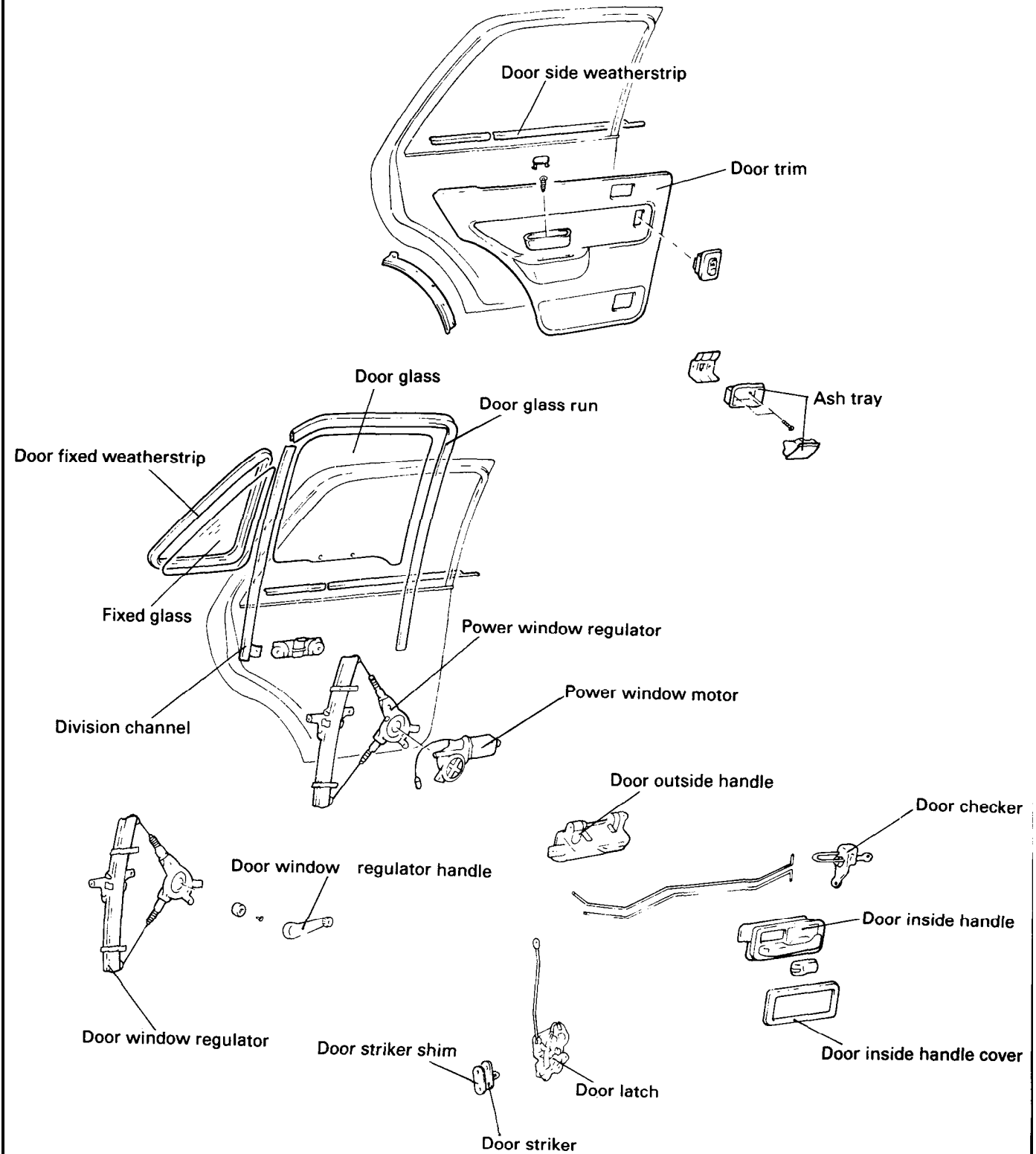
### CAUTION

When installing the door trim seal, butyl tape should not be placed over door trim fastener mounting area.



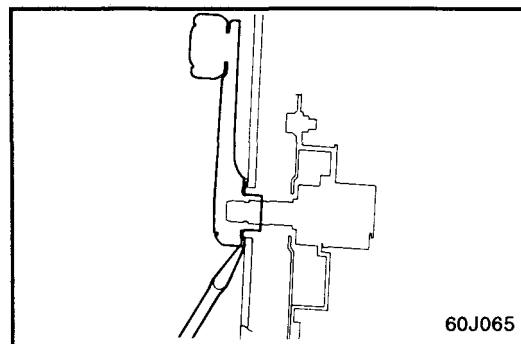
REAR DOOR

COMPONENTS

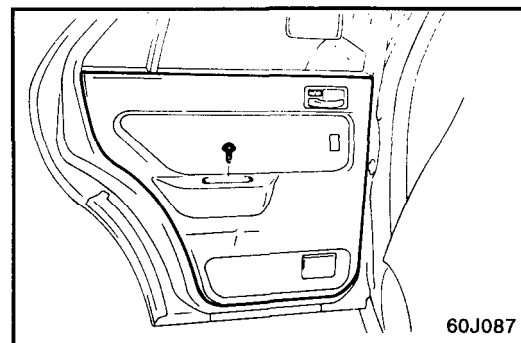


**REMOVAL**

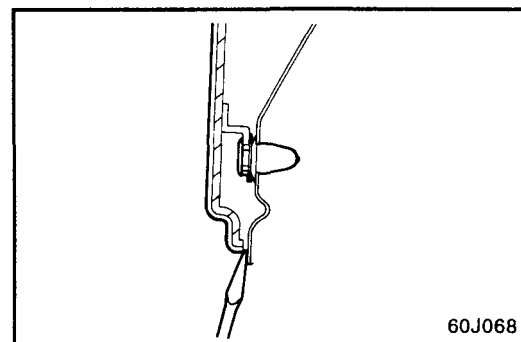
1. Using a screwdriver, remove the clip located in the illustration to remove the regulator handle. Be careful to avoid damaging the door trim panel. (Manual type only)



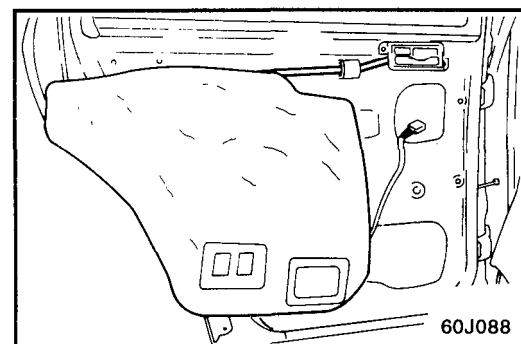
2. Remove the screw from the door trim, and bezel side cover.



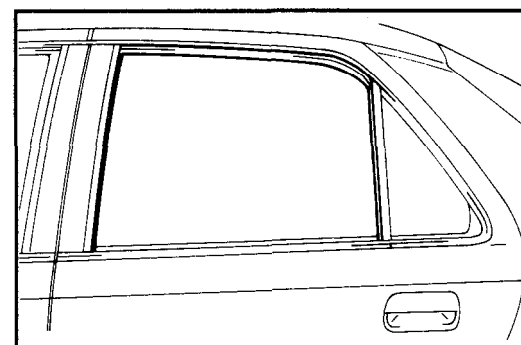
3. Insert a screwdriver between the trim fasteners and the door panel to pry it loose.  
Disconnect the electrical connectors.



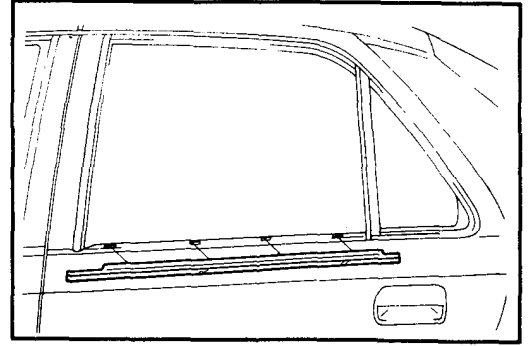
4. Remove the door trim seal.



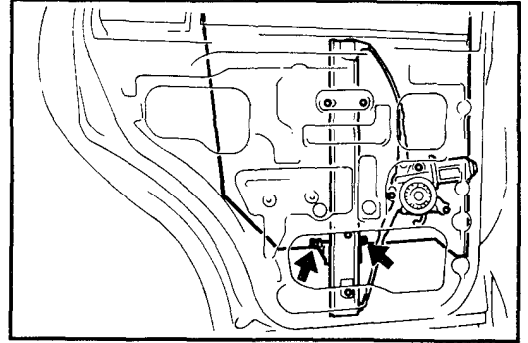
5. Remove the rear door frame front moulding.



6. Remove the rear door outside belt weatherstrip.



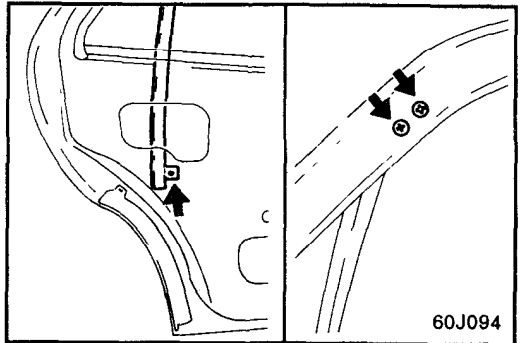
7. Remove the carrier plate bolts from the regulator channel.



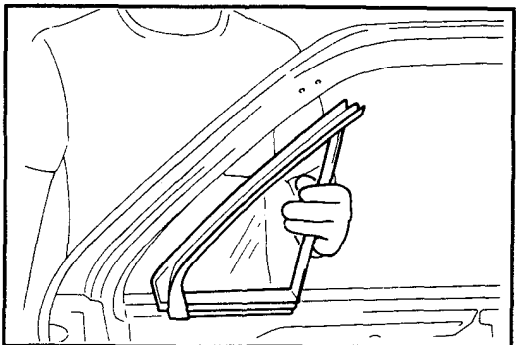
8. Remove the door glass.



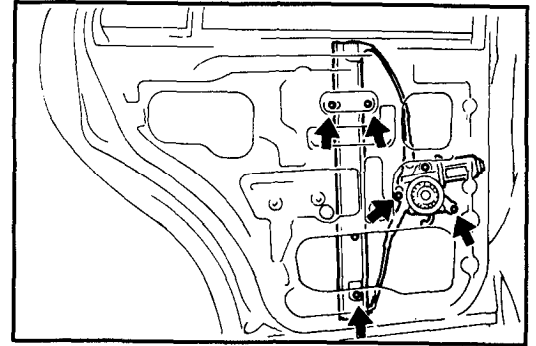
9. Remove the fixing screw and the bolts of the division channel.  
Remove the division channel.



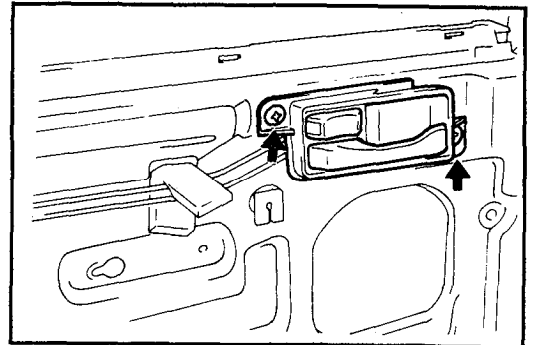
10. Remove the fixed glass.



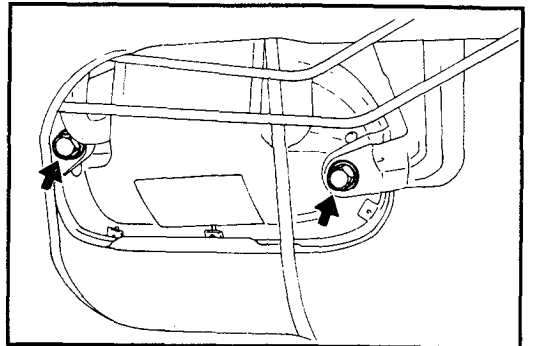
11. Remove the door regulator channel mounting bolts and then remove the door regulator assembly.



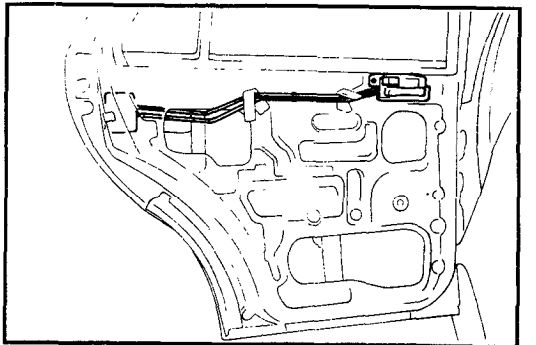
12. Remove the inside handle mounting screws.  
Turn the rod holding clip and then remove the rod from the latch assembly.



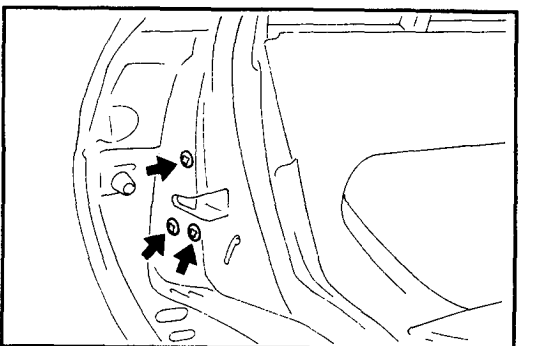
13. Remove the outside door handle mounting bolts.  
Disconnect the outside handle rod from the outside door handle at the position shown.



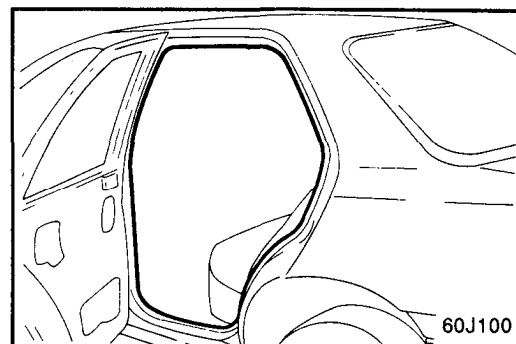
14. Remove the safety lock rod mounting screw and then remove the rod from the latch assembly.



15. Remove the door latch and door lock actuator.



16. Remove the door side weatherstrip and door glass run.

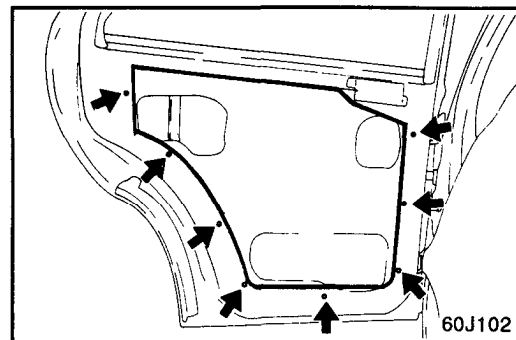


## INSTALLATION

1. Installation is the reverse of removal procedure.
2. If the door glass has been removed from the glass grip, be sure to install it in the correct position

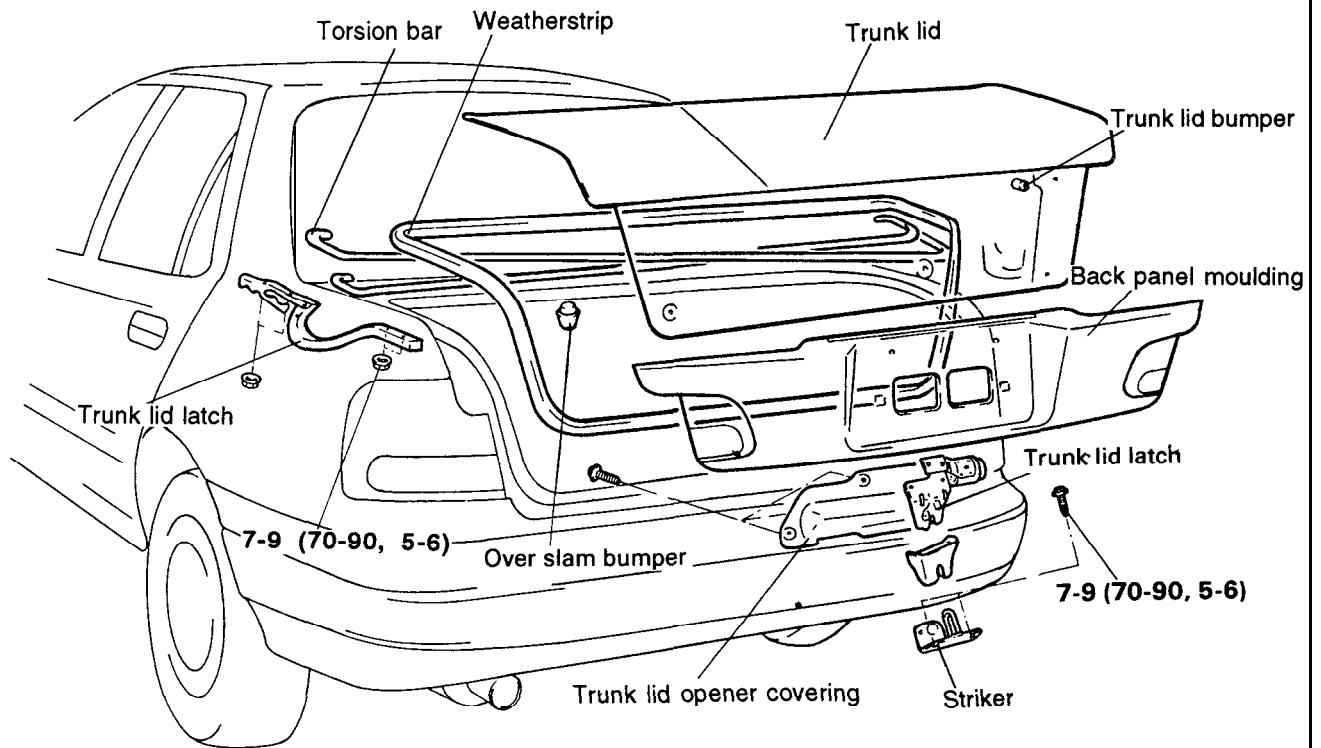
### CAUTION

When installing the door trim seal, butyl tape should not be placed over door trim fastener mounting area.



## TRUNK LID

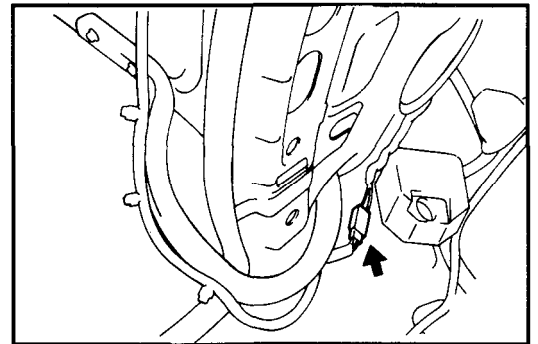
## COMPONENTS



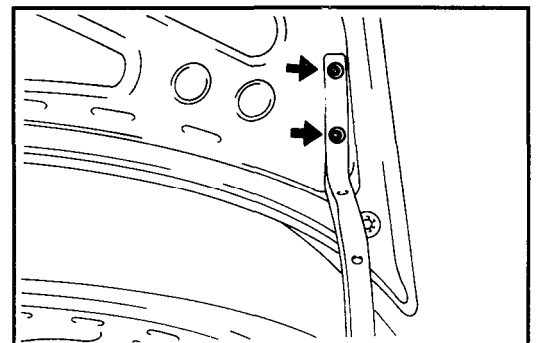
**TORQUE : Nm (kg.cm, lb.ft)**

## REMOVAL

1. Disconnect the trunk lid main wiring.

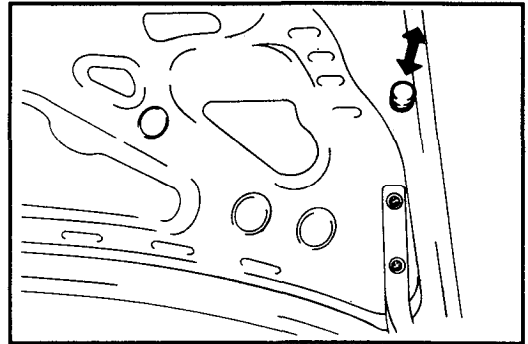
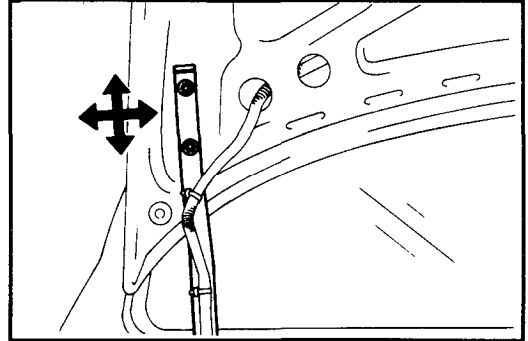
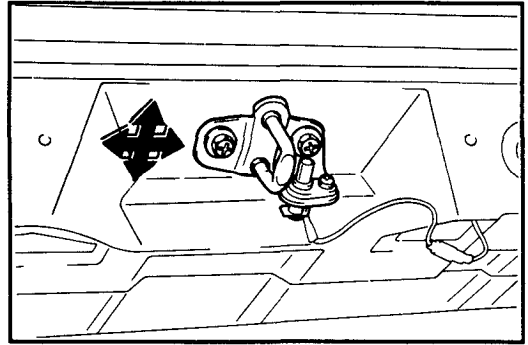


2. Remove the trunk lid hinge mounting bolts and then remove trunk lid.
3. Remove the torsion bar.



**ADJUSTMENT**

1. Adjust the striker up and down, and right or left until the trunk lid is flush with the rear edge of the body.
2. Adjust the trunk hinges up or down and right or left as necessary to equalizer the gap between the lid and the body.
3. Turn the trunk lid bumpers either left or right to adjust the height of the trunk lid.

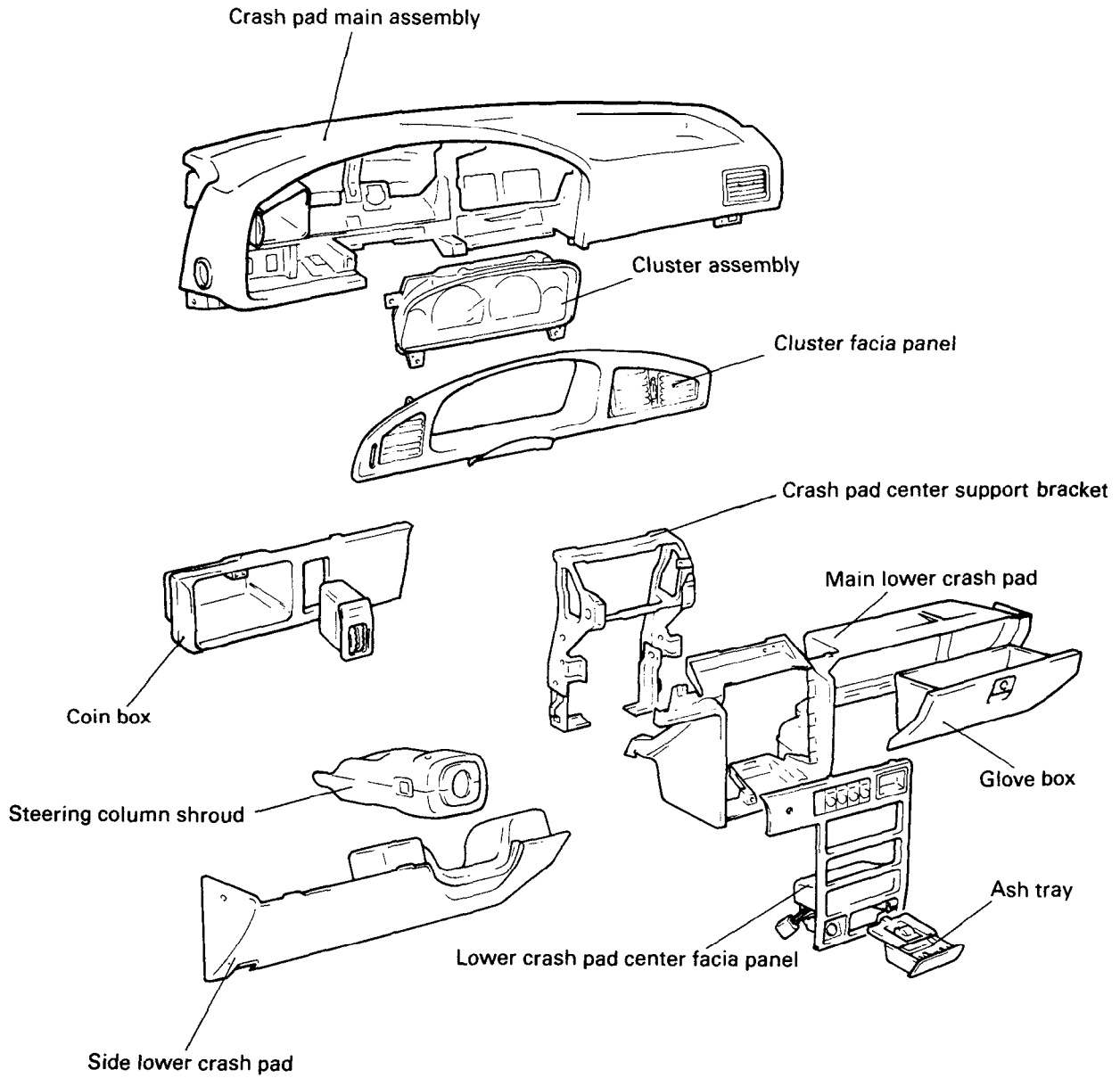
**INSTALLATION**

1. Installation is the reverse of removal procedure.



CRASH PAD

COMPONENTS

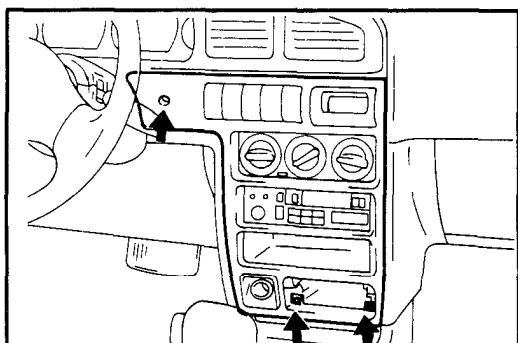
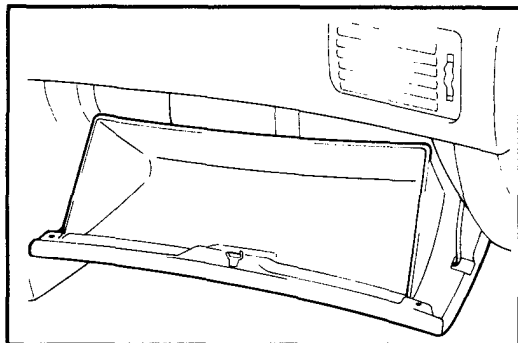
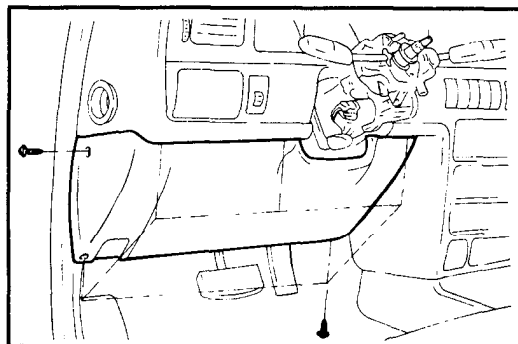
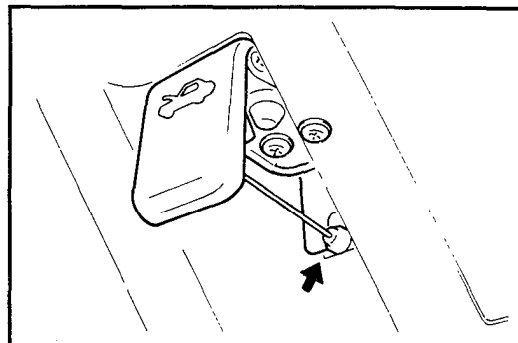
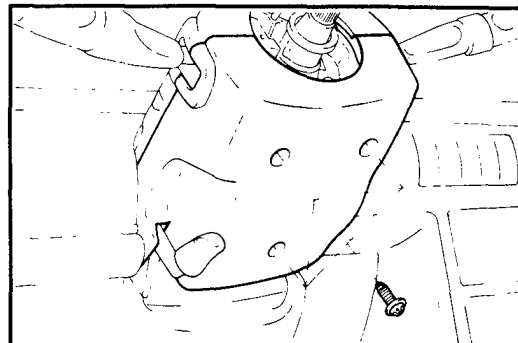


**REMOVAL**

1. Remove the horn pad assembly.
2. Remove the steering wheel, the steering column lower and upper shroud.

**CAUTION**

Before doing these procedures, see the SRS section (56A GROUP) for further information (SRS equipped vehicle only)



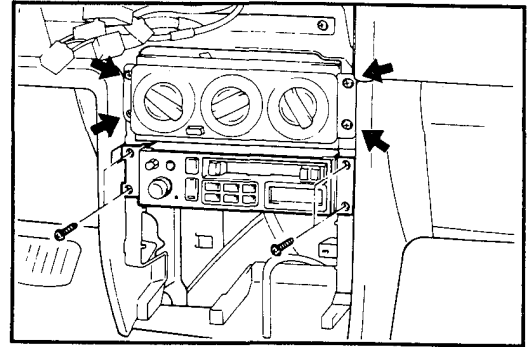
3. Remove the hood release handle mounting screws.

4. Remove the side lower crash pad.

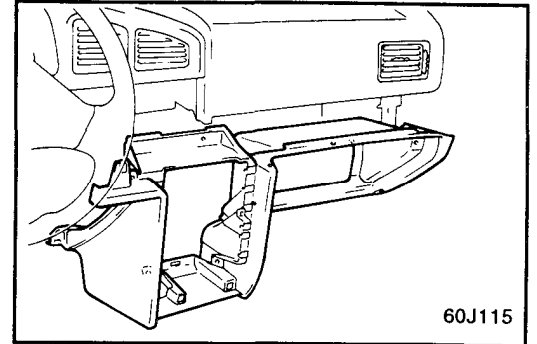
5. Remove the glove box.

6. Remove the lower crash pad center facial panel and disconnect the connectors.

7. Remove the radio and disconnect the connectors, then remove the air conditioner control mounting screws to be detach the main lower crash pad.

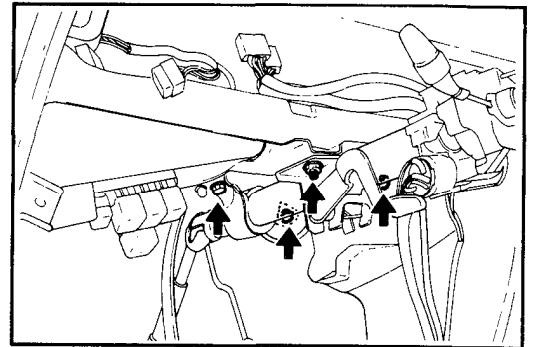


8. Remove the main lower crash pad.

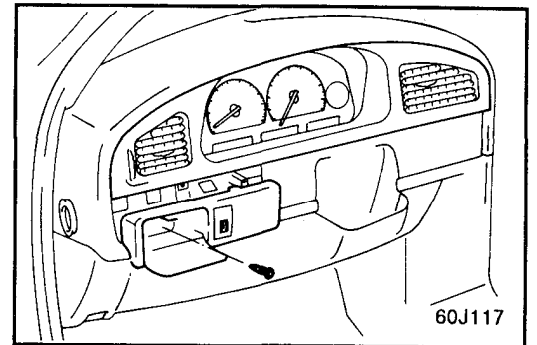


60J115

9. Remove the steering column mounting bolts and lower the steering column.

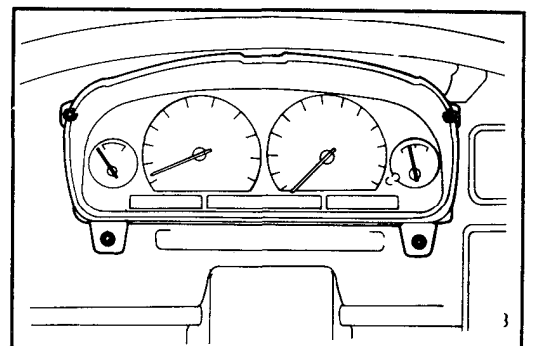


10. Detach the blanking cover from the cluster facial panel.
11. Remove the cluster facial panel and crash pad side plate.

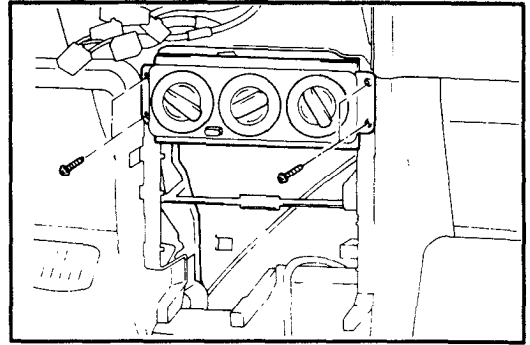


60J117

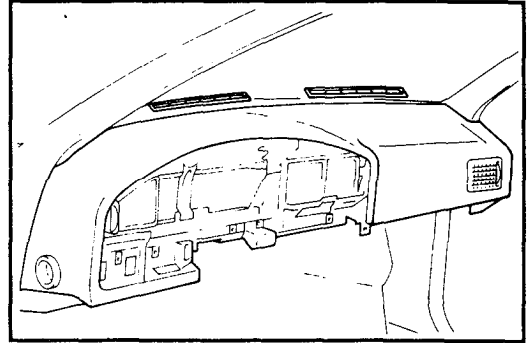
12. Remove the cluster assembly and disconnect the connectors.



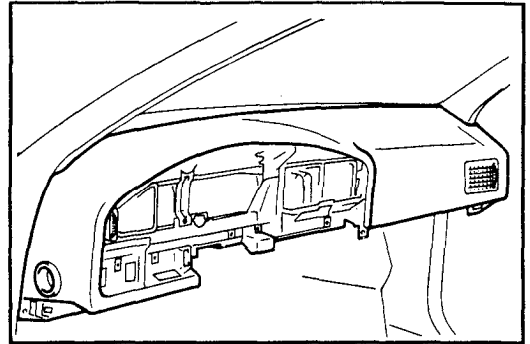
13. Remove the air conditioner control assembly.



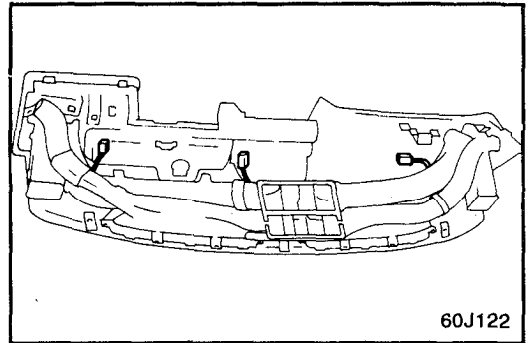
14. Detach the defroster nozzle upper center cover from the main crash pad.



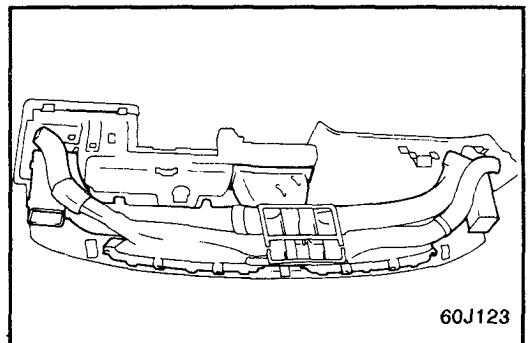
15. Remove the main crash pad.



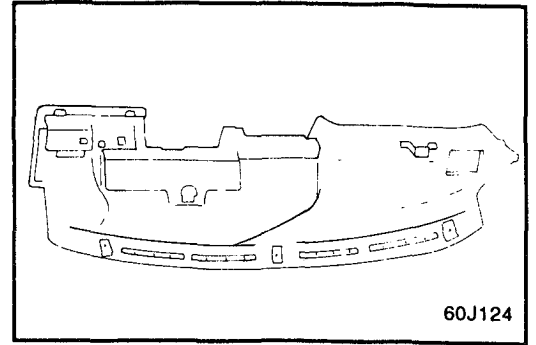
16. Remove the connectors from the air conditioner control assembly.



17. Remove the ventilators from the main crash pad.

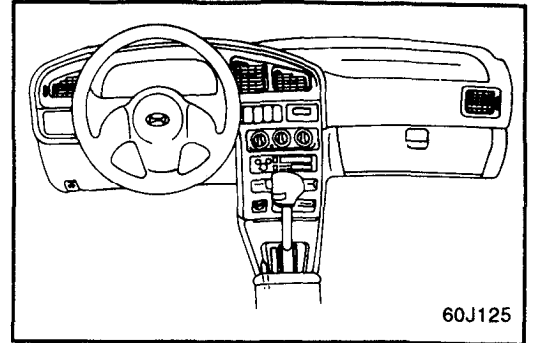


18. Remove the mounting brackets.



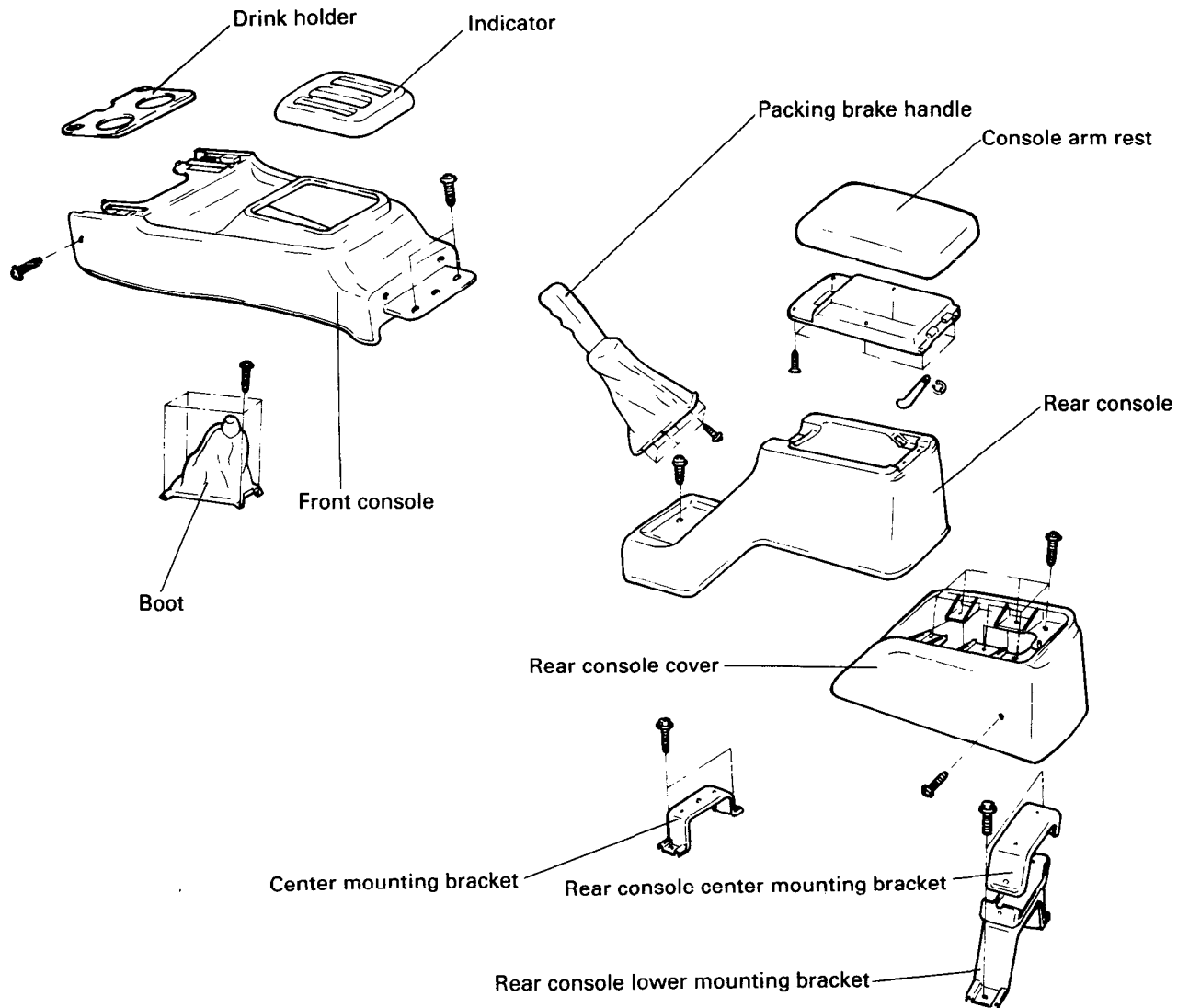
## INSTALLATION

1. Installation is the reverse of removal procedure.
2. Connect all of the connectors securely.



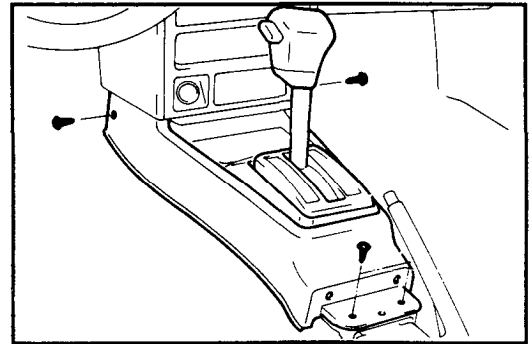
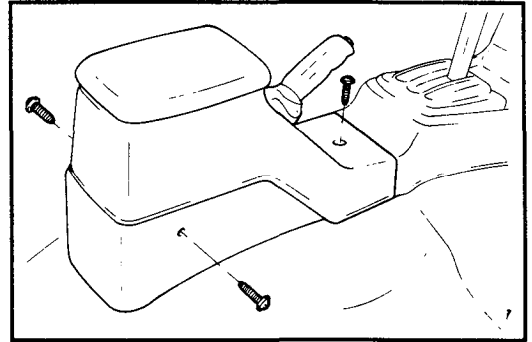
CONSOLE

COMPONENTS



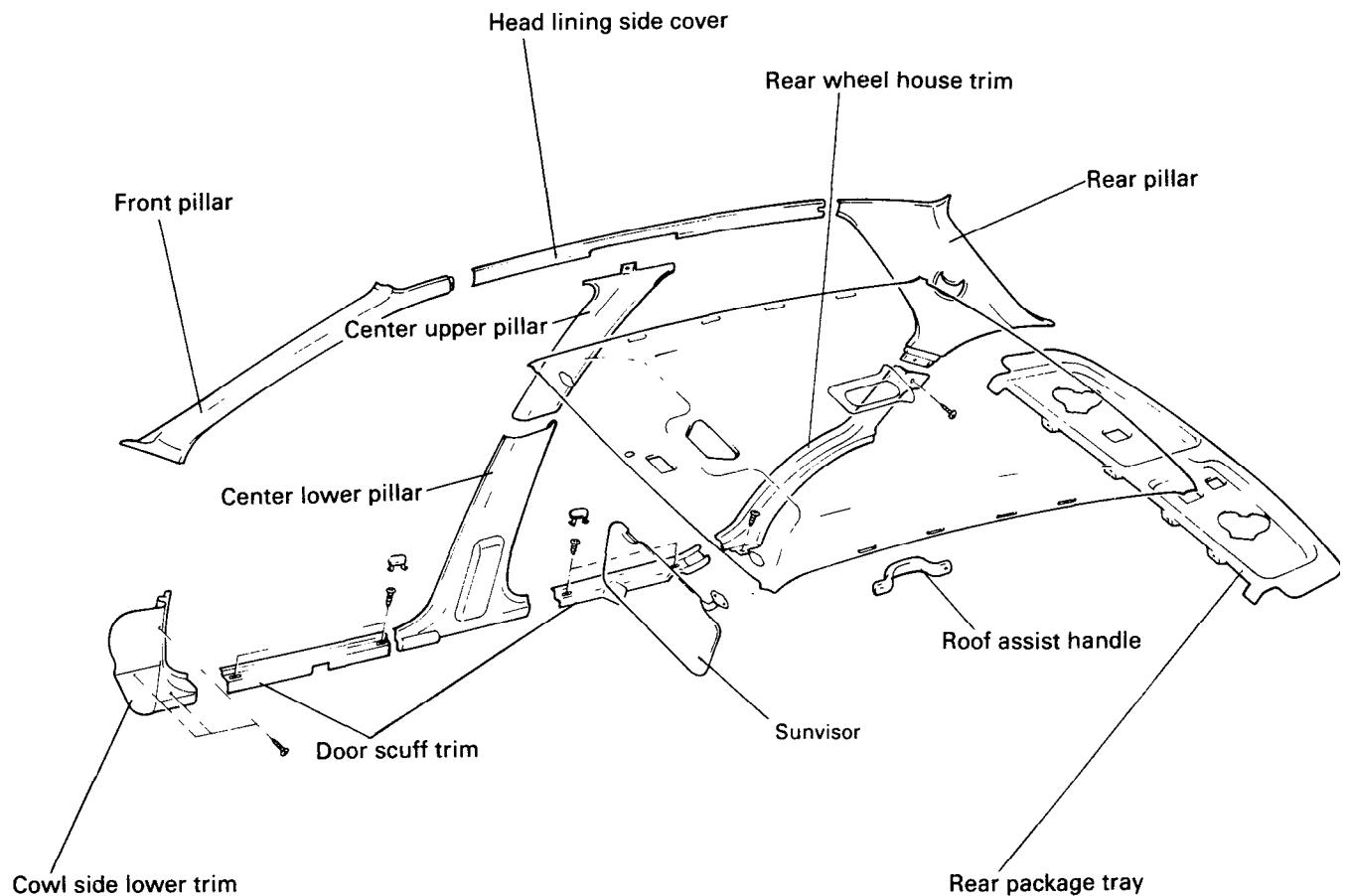
**REMOVAL**

1. Pull out the console plate and then loosen one screw.  
Disconnect the outside mirror control switch connector.
2. Remove the screws from the rear console.
  
3. Remove the transmission control lever knob.
4. Remove the four screws securing front console to the front and center mounting brackets.
5. Remove the front console assembly.



## INTERIOR TRIM AND HEAD LINING

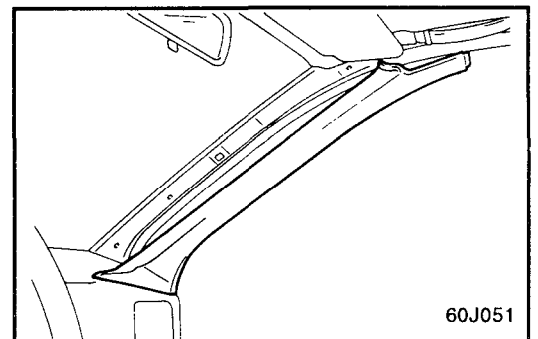
### COMPONENTS



### REMOVAL

#### Front Pillar Trim

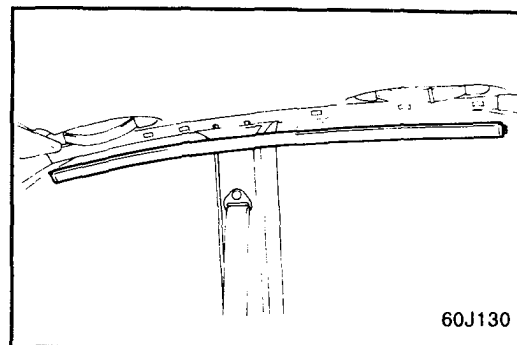
1. Using a screwdriver, remove the front pillar trim.





**Head Lining Side Cover Trim**

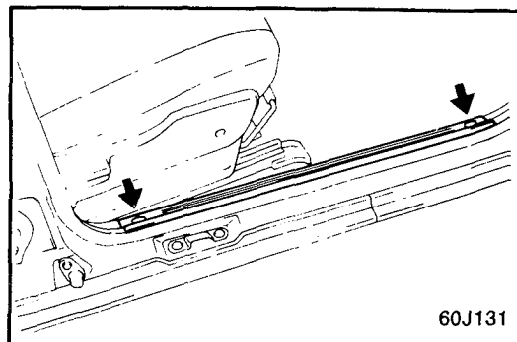
1. Remove the head lining side cover trim with a screwdriver.



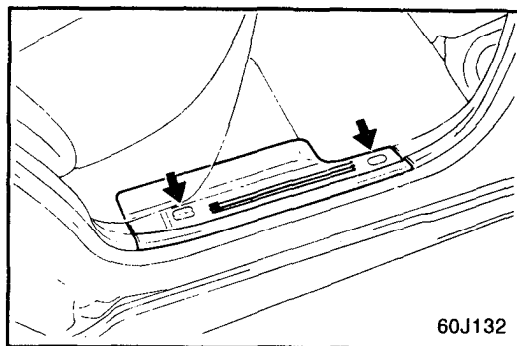
60J130

**Door Scuff Trim**

1. Remove the screws from the door scuff trim
2. Remove the door scuff trim.



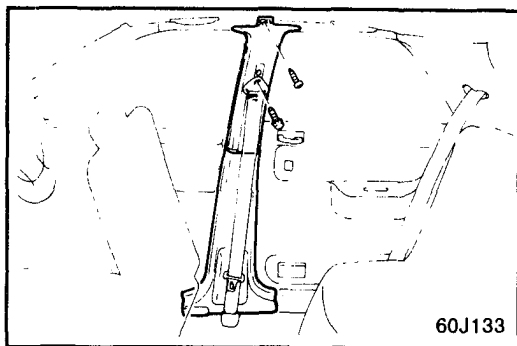
60J131



60J132

**Center Pillar Trim**

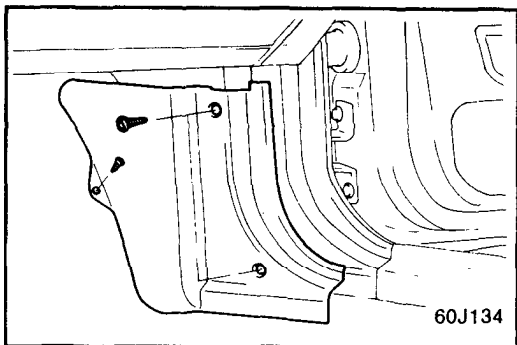
1. Loosen the screw from the center pillar
2. Remove the front seat belt upper anchor mounting bolt.
3. Pry out the clips and remove the center pillar trim.



60J133

**Cowl Side Lower Trim**

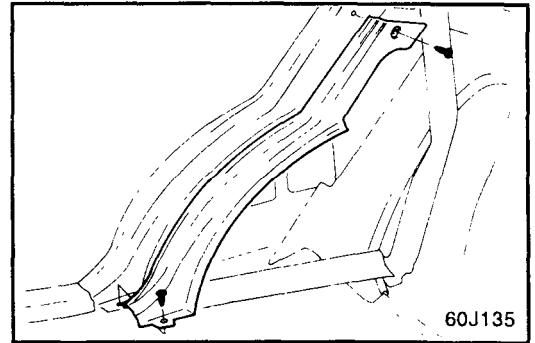
1. Remove the two screws and one fastener from the cowl side lower trim



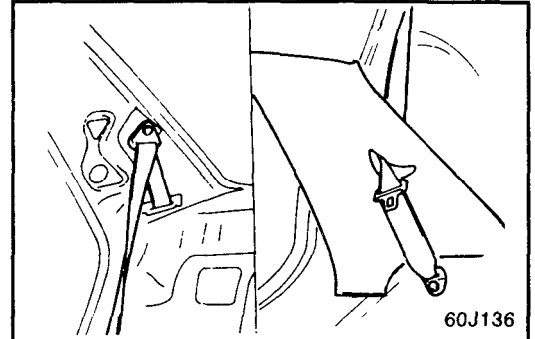
60J134

**Rear wheel House Trim**

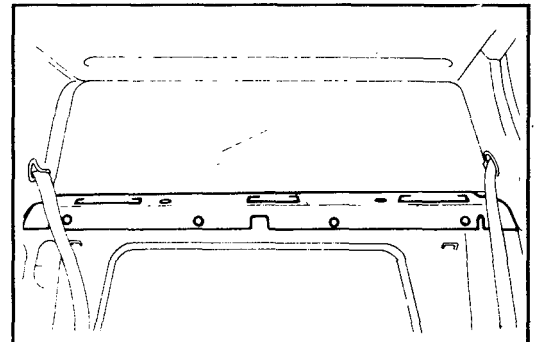
1. Remove the rear seat assembly.
2. Remove the screws from the rear wheel house trim.

**Rear Pillar Trim**

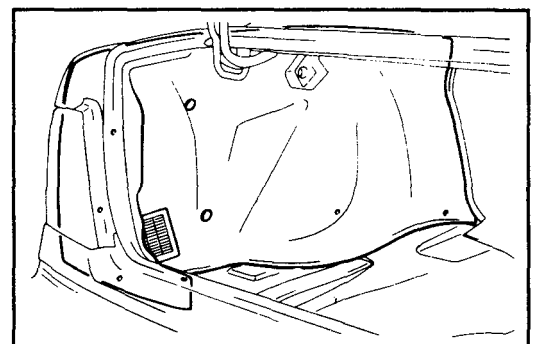
1. Remove the bolt from the rear seat belt lower anchor.
2. Using a screwdriver, remove the rear pillar trim.

**Rear Package Tray Trim**

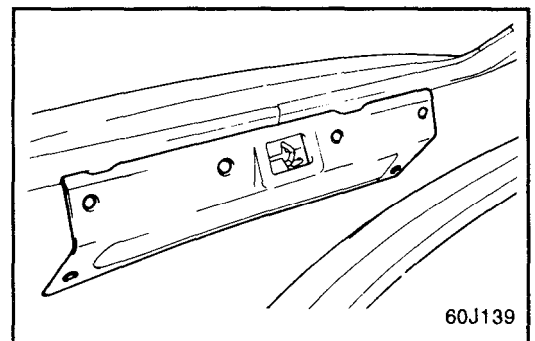
1. Remove the rear package tray trim mounting plugs and the rear speaker mounting nuts.
2. Remove the rear package tray trim.

**Luggage Side Trim**

1. Remove the screws and plugs from the front and rear luggage side trim.

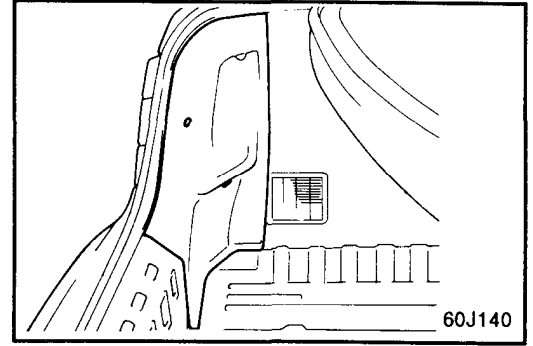
**Rear Transverse Trim**

1. Remove the transverse trim mounting fasteners and the rear transverse trim.



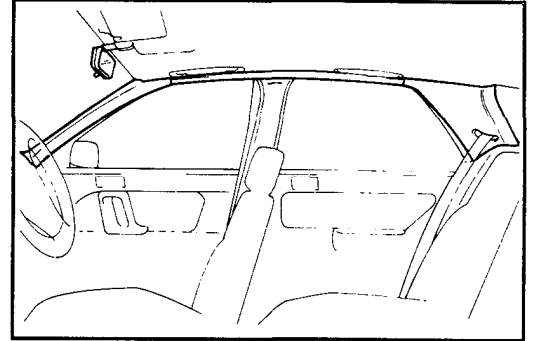
**Luggage Rear Trim**

1. Remove the luggage rear trim.

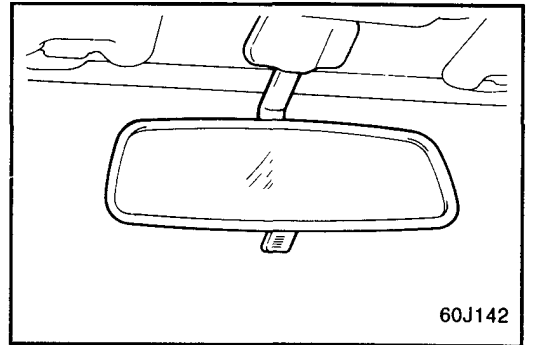


**Head Lining**

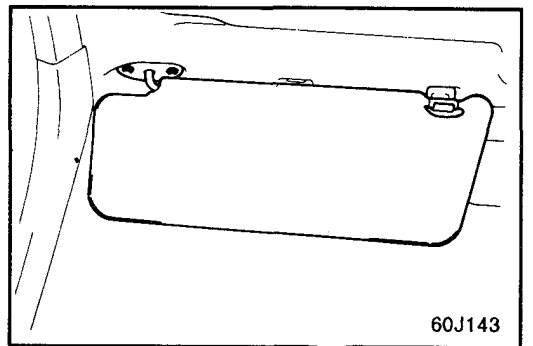
1. To remove the head lining, first remove the following parts:
  - 1) Inside rear view mirror.
  - 2) Head lining side cover trim.
  - 3) Front pillar trim.
  - 4) Rear pillar trim.



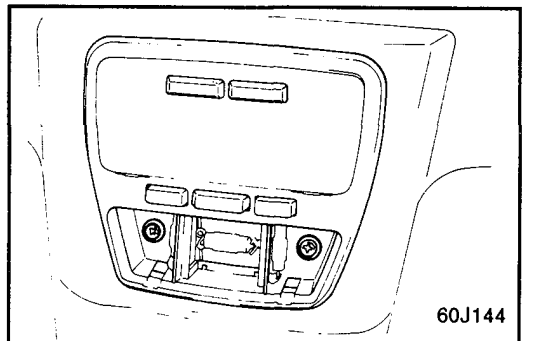
2. Remove the rear view mirror.



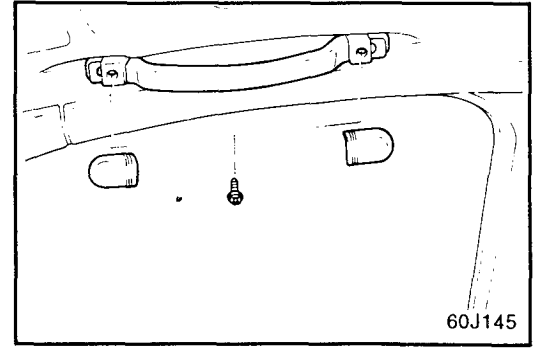
3. Remove the sunvisor and retainer.



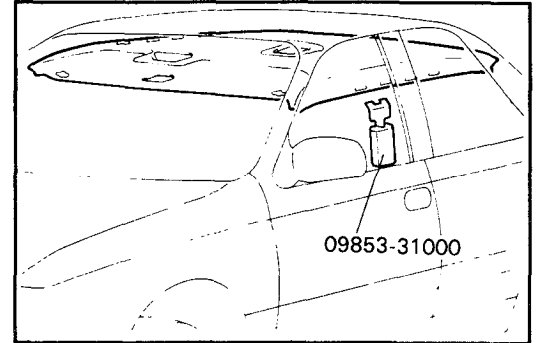
4. Detach the lens from room.
5. Remove the room lamp.



6. Remove the roof assist handle.



7. Using the special tool (09853-31000), remove the head lining.

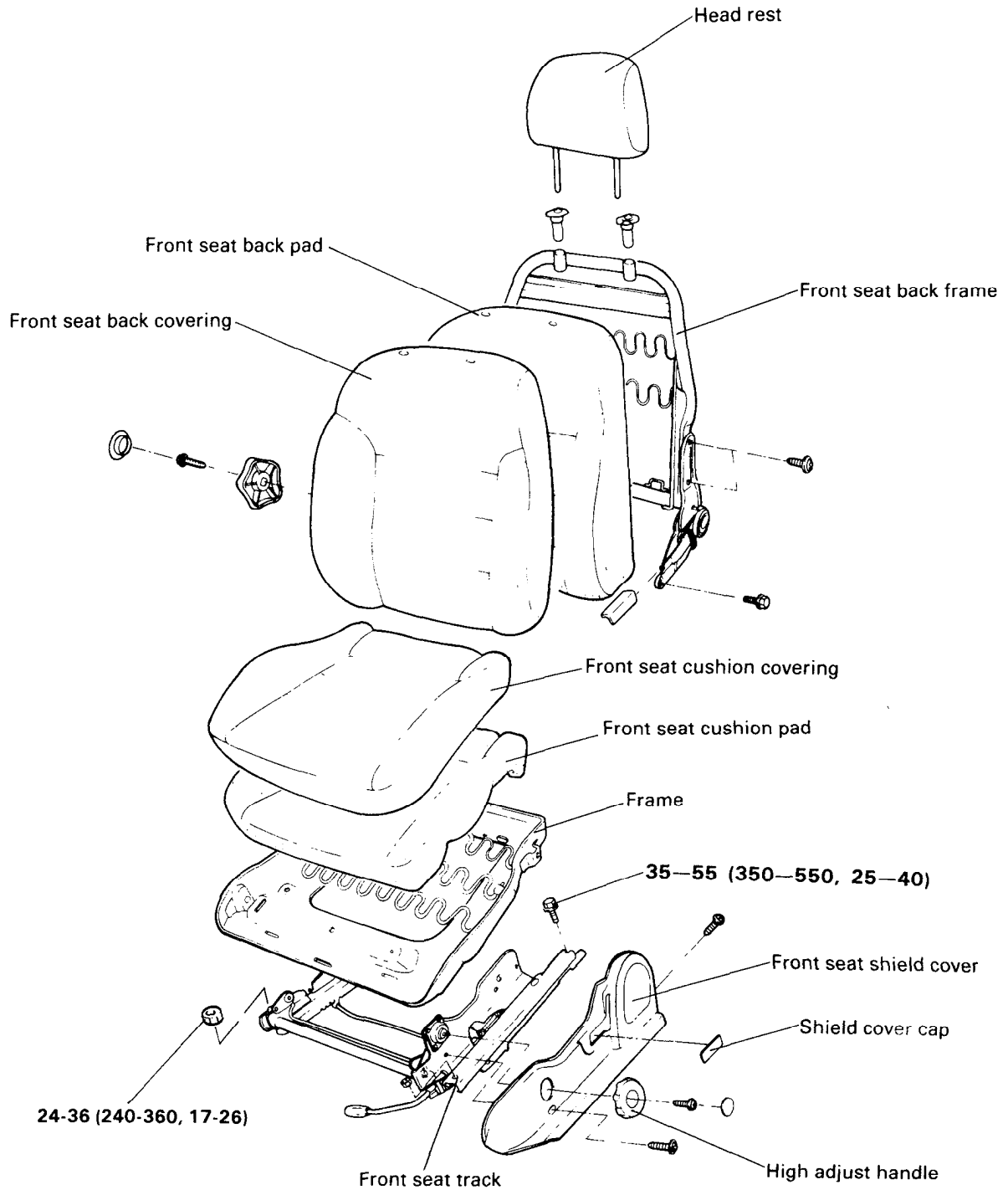


## INSTALLATION

1. installation is the reverse of the removal procedure.

FRONT SEAT

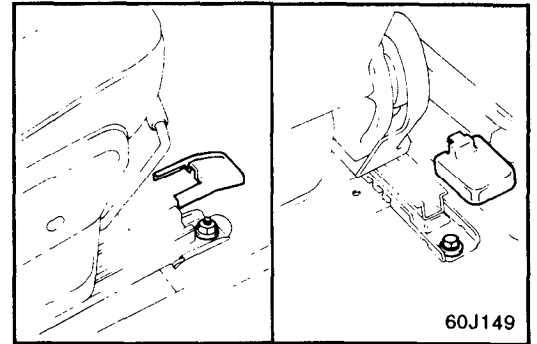
COMPONENTS



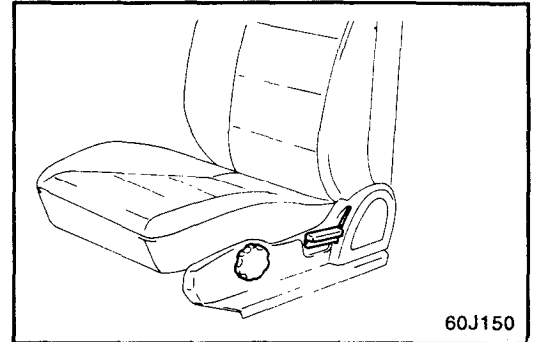
TORQUE : Nm (kg.cm, lb.ft)

**REMOVAL**

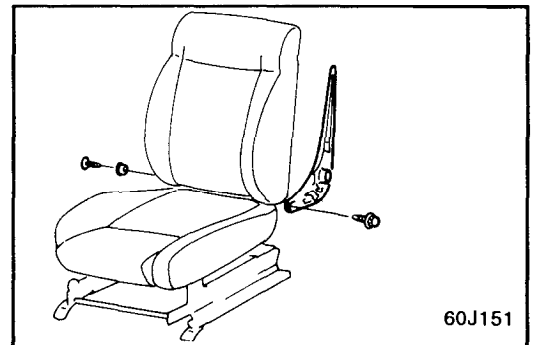
1. Pull out the front seat mounting cover and remove the bolts.
2. Remove the front seat assembly.



3. Pull out the seat tilt adjust handle cover and recliner handle cover.
4. Remove the seat shield cover.

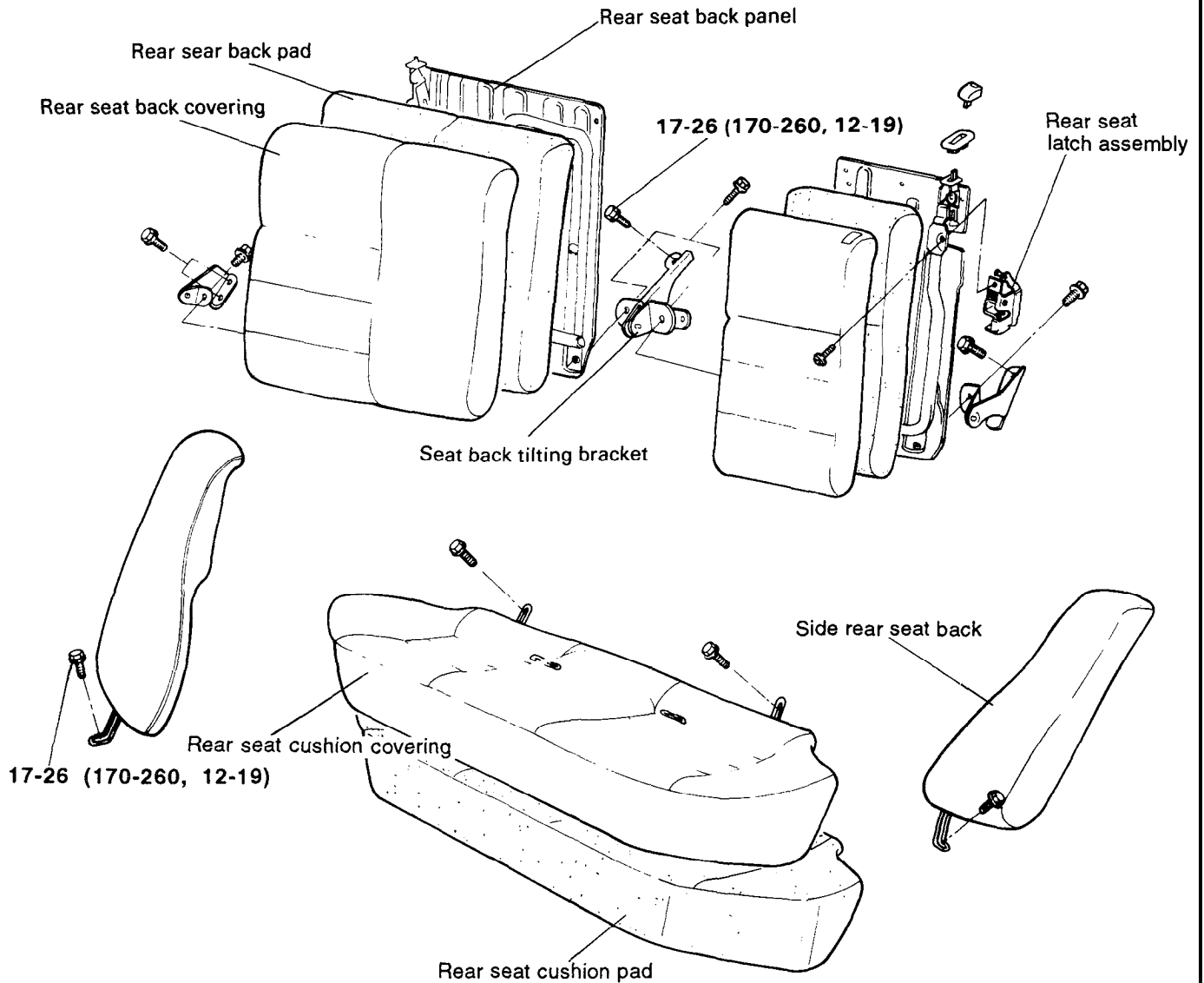


5. Remove the recliner mounting bolt and separate the seat back from the seat assembly.



REAR SEAT

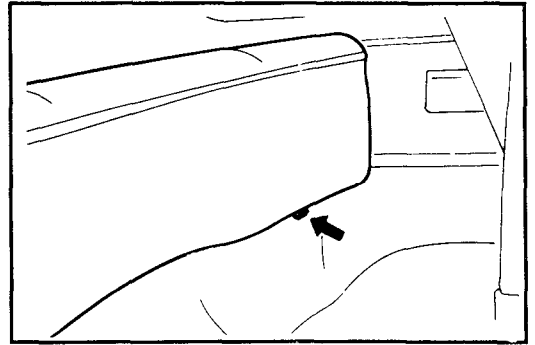
COMPONENTS



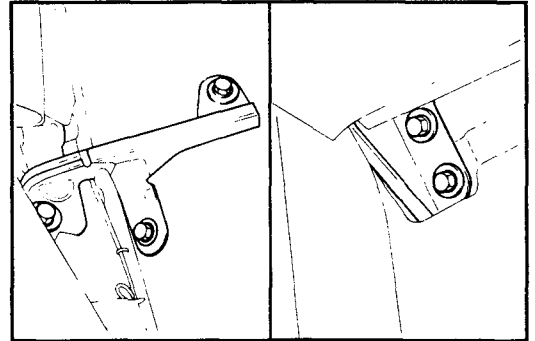
TORQUE : Nm (kg.cm, lb.ft)

**REMOVAL**

1. Pull the rear seat mounting clip.
2. Remove the rear seat cushion.



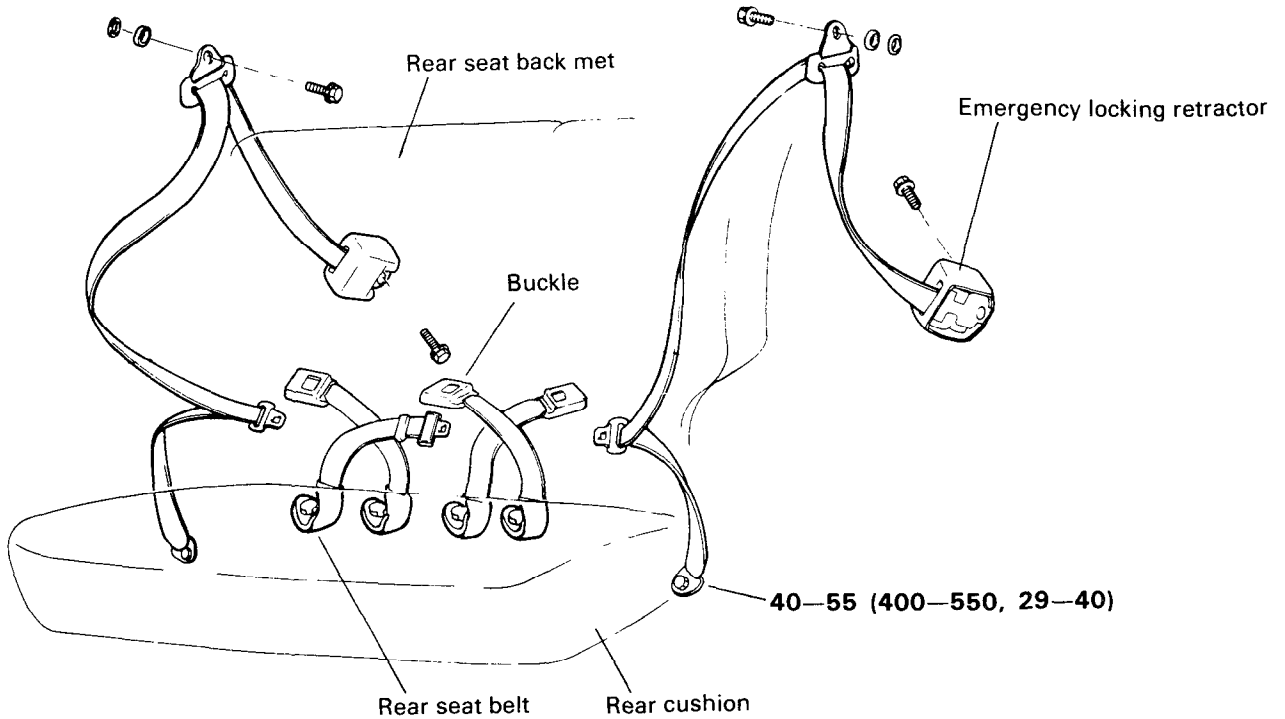
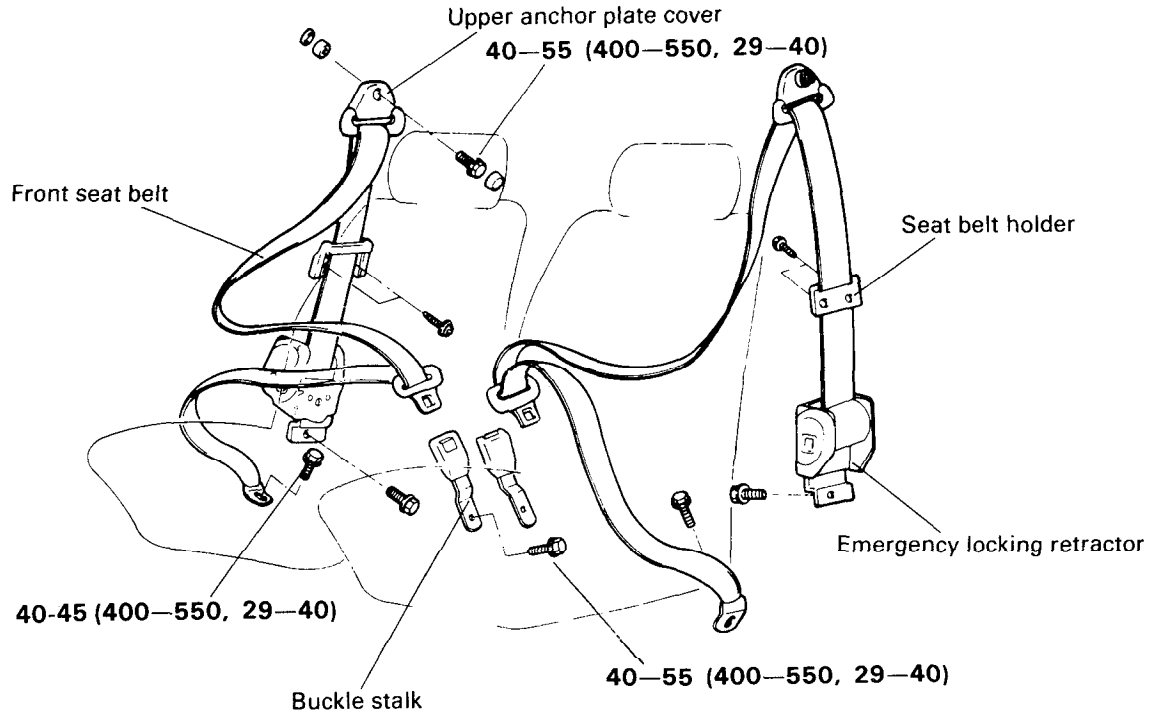
3. Remove the seat back mounting bolts.





SEAT BELT

COMPONENTS

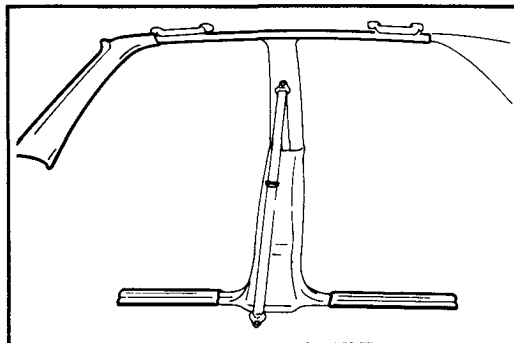


TORQUE : Nm (kg.cm, lb.ft)

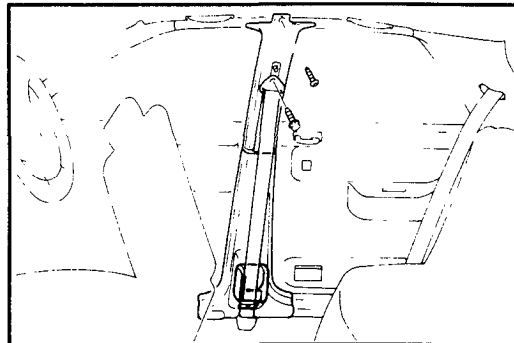
## REMOVAL

### Front Seat Belt

1. Remove the door scuff trim.
2. Remove the head lining side cover trim and the front pillar trim.

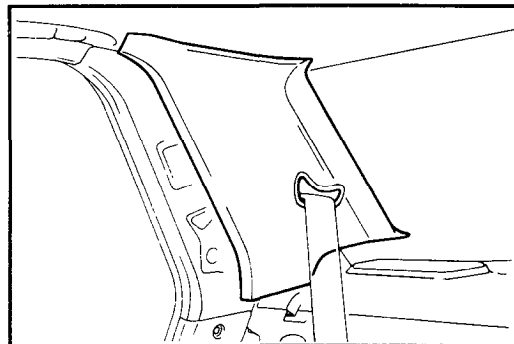


3. Remove the upper anchor plate cover and the upper anchor plate.
4. Remove the center pillar trim.
5. Remove the front seat belt assembly.

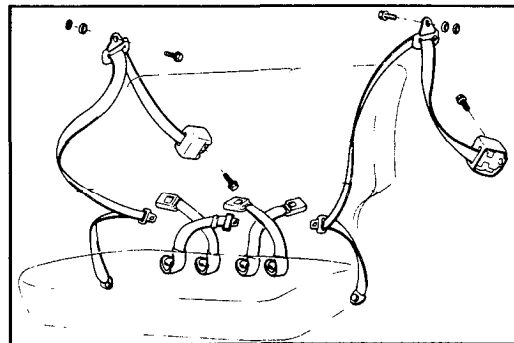


### Rear Seat Belt

1. Remove the rear seat assembly.
2. Remove the rear pillar trim.



3. Remove the rear seat belt-assembly.



## INSTALLATION

### Front Seat Belt

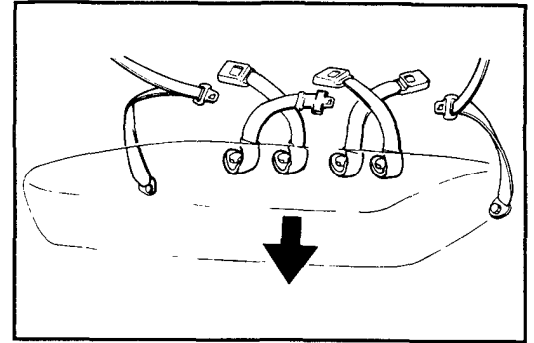
1. Installation is the reverse of the removal procedure.

**Rear Seat Belt**

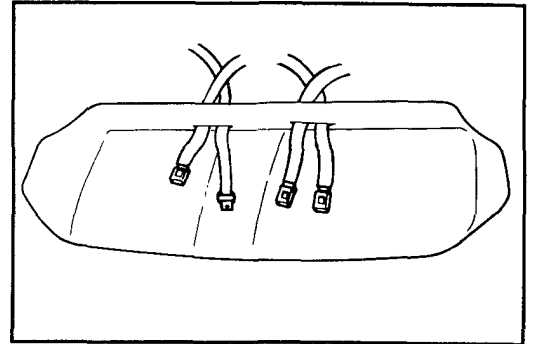
1. Installation is the reverse of the removal procedure.

**CAUTION**

1. When installing the rear seat belt assembly, be careful that the lower anchor plate must be placed in direction of front of the vehicle as illustration.

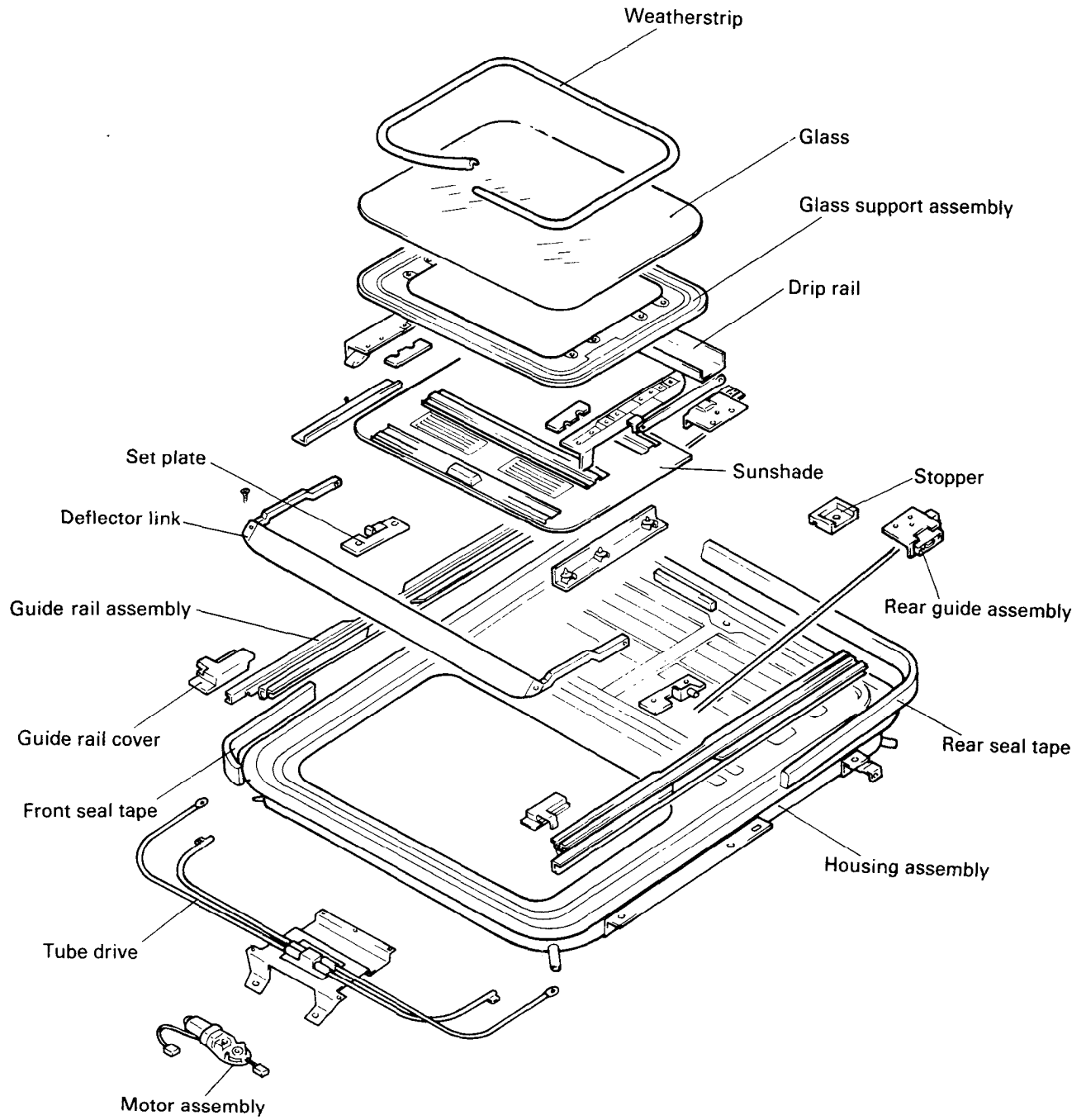


2. When installing the rear seat assembly, the seat 'belt must be passed through the rear seat cushion hole with untwisted state, as shown in the illustration.



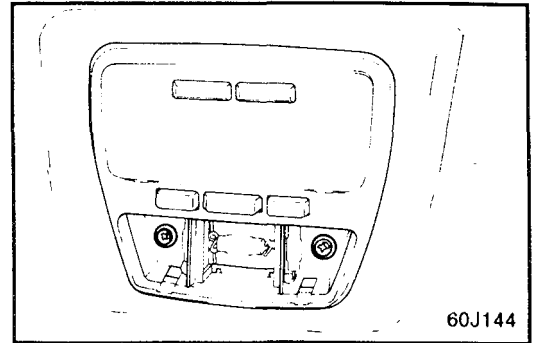
# SUNROOF

## COMPONENTS

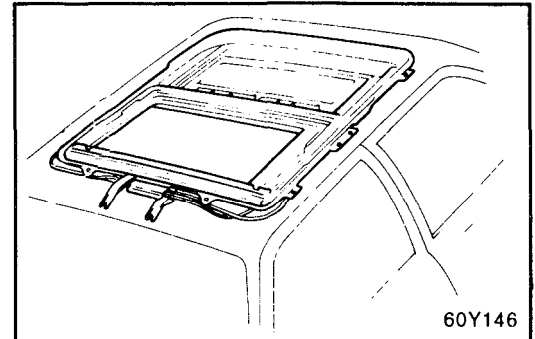


**REMOVAL**

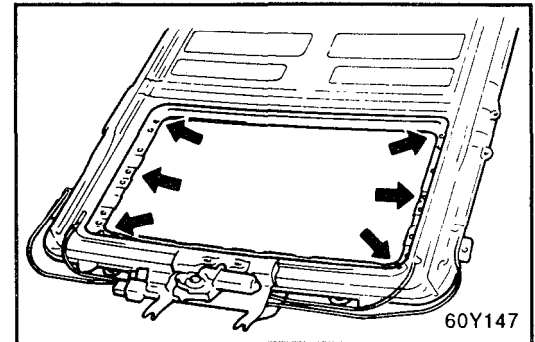
1. Remove the over head console lamp.
2. Remove the headlining.



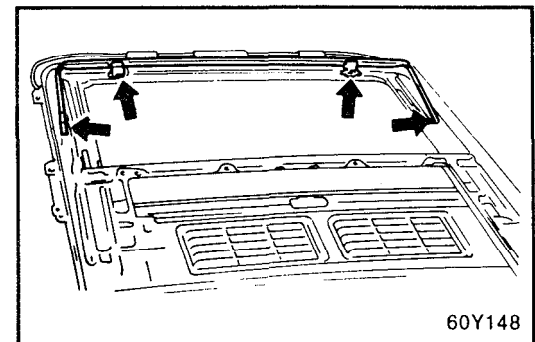
3. Remove the sunroof assembly.



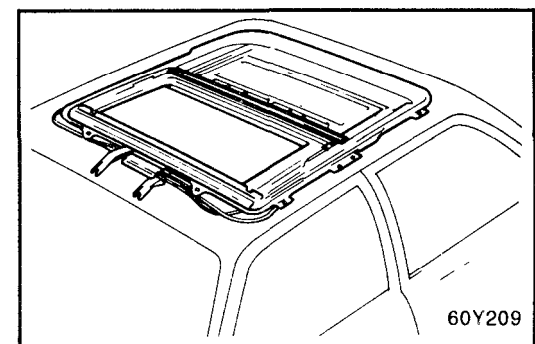
4. Remove the decoration side cover and the glass panel.



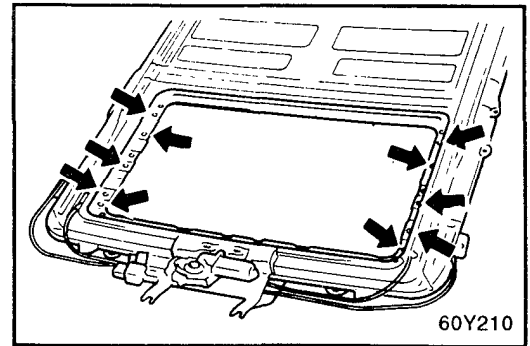
5. Using a handle, fully open the lid lower panel.
6. Remove the deflector assembly.



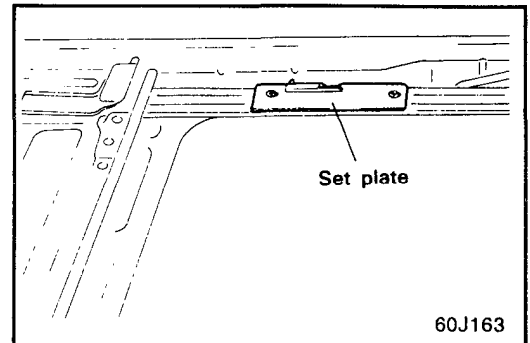
7. Close the lid lower panel.
8. Remove the stopper and the drip rail assembly.



9. Completely close the lid lower panel and remove the lid lower panel.



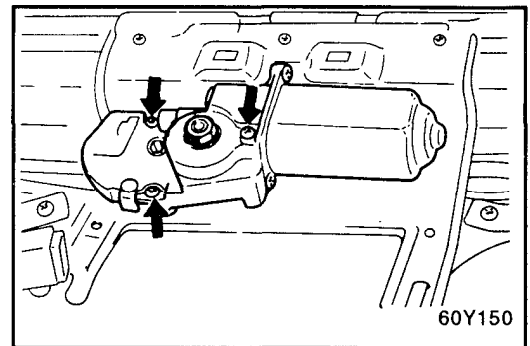
10. Remove the guide rail cover and set plate.



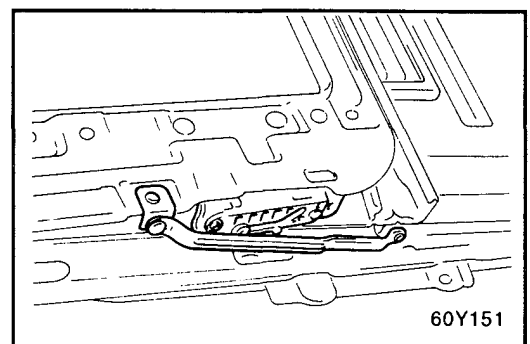
11. Remove the motor assembly.

**NOTE**

There are two types of mounting screws, long and short.  
Be sure to install them in the correct position.

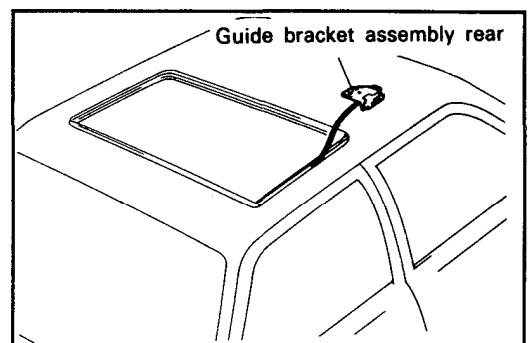


12. Pull the guide bracket assembly out while lifting from the rear.

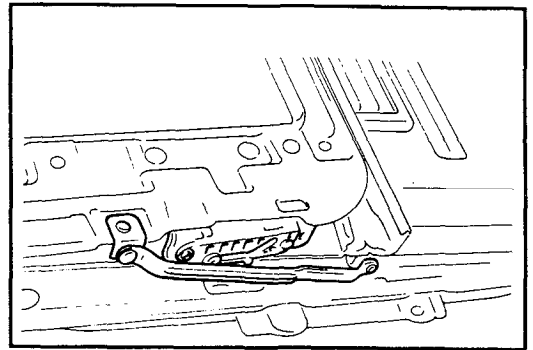


**INSTALLATION**

1. Insert the drive cable into the tube.



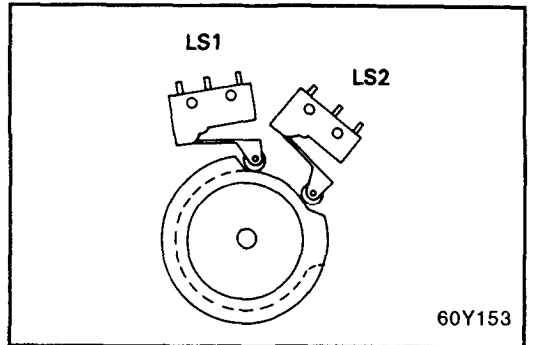
2. Align the projection of the cam with the pushing shaft in the tilting cam.



3. Install the motor assembly.

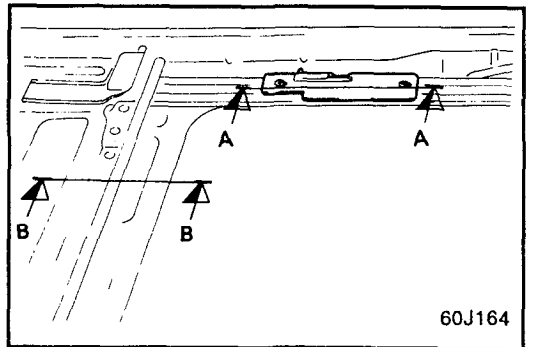
**NOTE**

Check that the limit switches (LS1 and LS2) of the motor are at the fully closed position.



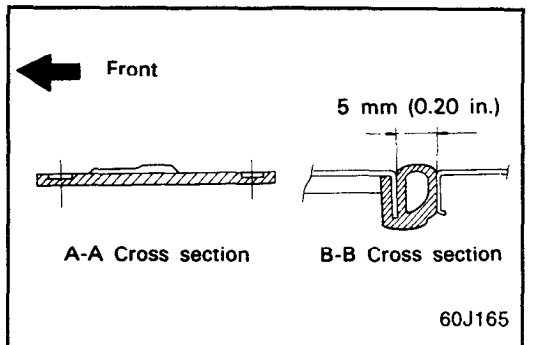
**CHECK OPERATING CONDITION AFTER INSTALLATION**

1. If the panel movement is difficult, check and adjust.
  - 1) Make sure the battery voltage is normal.
  - 2) Make sure that the sunroof sliding unit is free of foreign material.
  - 3) Make sure that, when the glass panel opens, the rear position of panel does not interfere excessively with the roof panel. If interference occurs, fully open the glass panel and move the stopper forward.

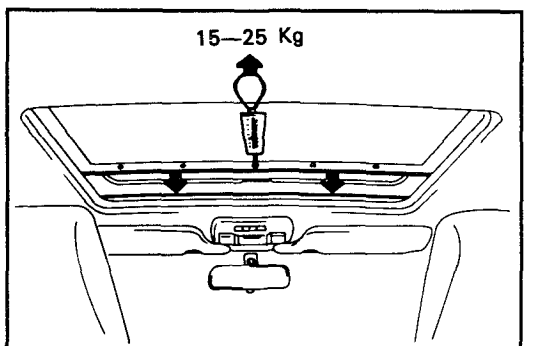


**NOTE**

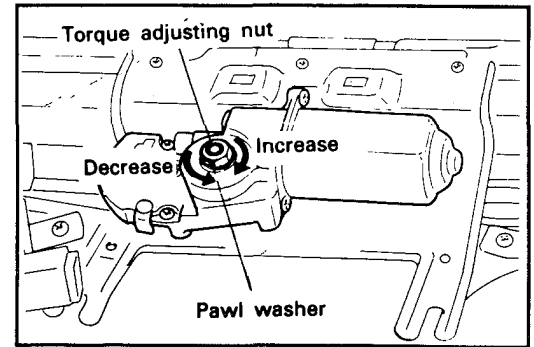
If the stopper is moved forward too far, it may cause malfunction or leaks. Make sure the gap between the glass panel and roof panel is not more than 5.8 mm (0.28 in.).



- 4) Measure the driving force of the motor, and adjust it to 15-25 kg (33.1-55.7 lb) with the torque adjustment nut on the motor.
- 5) To measure, use the deep hole in the center of the lid lower panel.

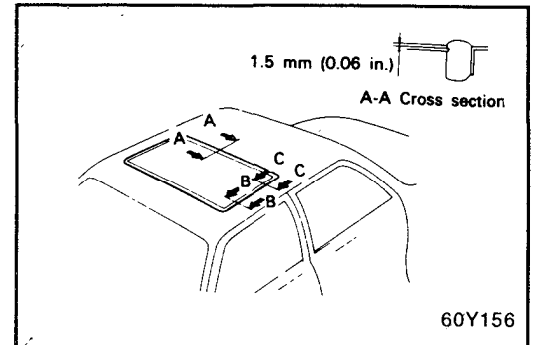


6) After adjustment, be sure to lock the nut with the pawl washer.



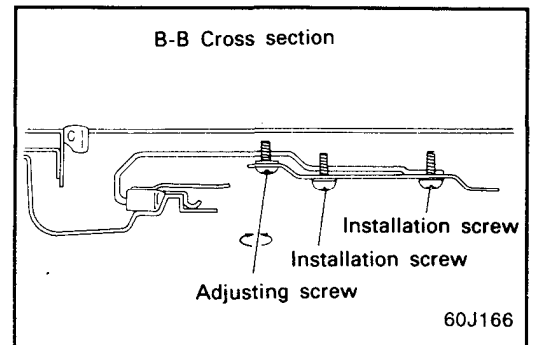
**ADJUSTMENT**

1. Adjust the height of the glass panel.  
 (A-A cross section)  
 Adjust the difference in height between the glass panel and the roof panel to no more than 5.8 mm (0.23 in.)



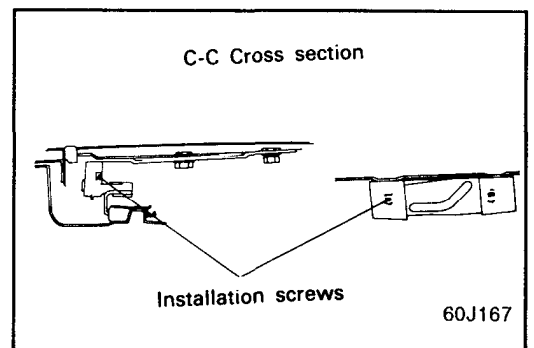
(Procedures to adjust B-B cross section)

- 1) Loose mounting screws 1 and 2.  
 When adjusting no more than 2 mm (0.08 in.), it may be better not to move screw 1.
- 2) Adjust, by turning the adjust screw.  
 clockwise ..... Up  
 counter clockwise ..... Down
- 3) Tighten mounting screws 1 and 2.



(Procedures to adjust C-C cross section)

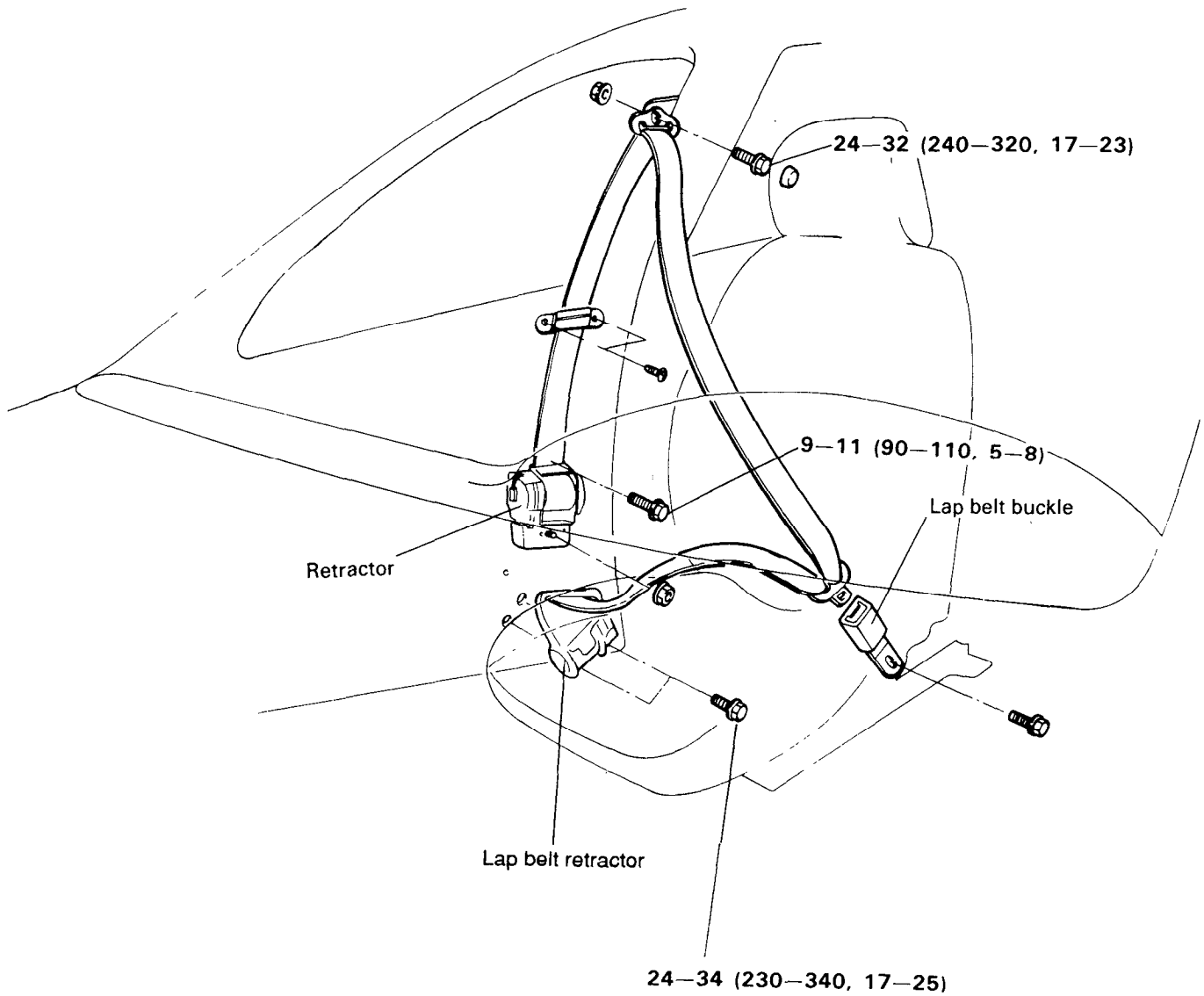
Loose the mounting and adjusting screws. For easy adjustment, do not loosen the mounting screws too much. Adjust by moving the glass panel from inside or outside.  
 Tighten the adjusting screw and the mounting screws in that order.





PASSIVE SEAT BELT

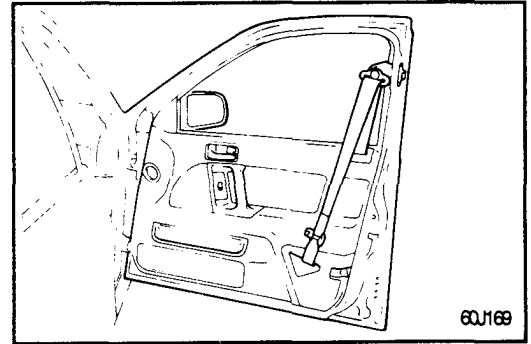
COMPONENTS



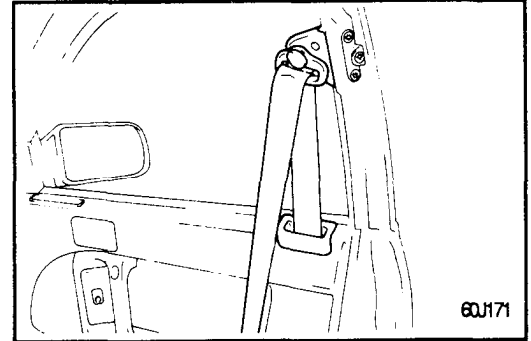
## REMOVAL

### Passive Seat Belt

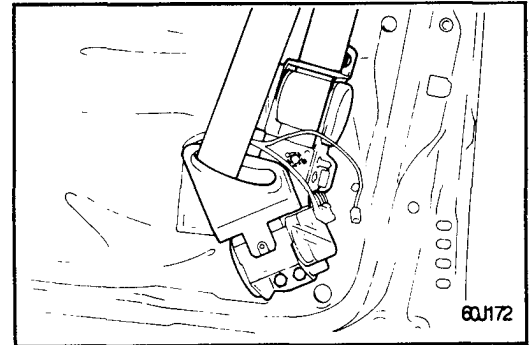
1. To remove the passive seat belt, first remove the following parts.
  - 1) Front door edge warning lamp.
  - 2) Front door trim retractor cover.
  - 3) Front door trim



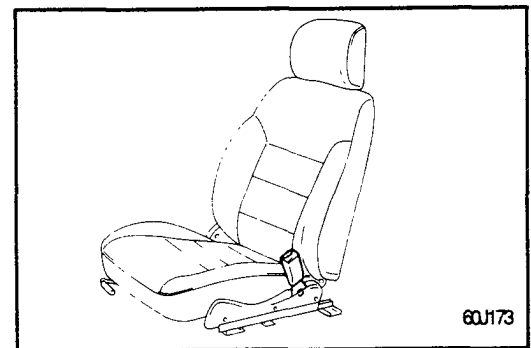
2. Remove the shoulder anchor and webbing guide.



3. Remove the lamp belt retractor and shoulder belt retractor.



4. Remove the buckle assembly.



## INSTALLATION

1. Installation is the reverse of the removal procedure.

